



US00D803358S

(12) **United States Design Patent**  
**Schoenherr et al.**

(10) **Patent No.:** **US D803,358 S**

(45) **Date of Patent:** **\*\* Nov. 21, 2017**

(54) **FAUCET ASSEMBLY**

(71) Applicant: **Hansgrohe SE**, Schiltach (DE)

(72) Inventors: **Tom Schoenherr**, Stuttgart (DE);  
**Yunwei Zhu**, Stuttgart (DE); **Jonas Hänel**, Stuttgart (DE)

(73) Assignee: **Hansgrohe SE**, Schiltach (DE)

(\*\*) Term: **15 Years**

(21) Appl. No.: **29/585,588**

(22) Filed: **Nov. 28, 2016**

(30) **Foreign Application Priority Data**

May 31, 2016 (EM) ..... 003164383-0003

(51) **LOC (10) Cl.** ..... **23-01**

(52) **U.S. Cl.**  
USPC ..... **D23/242; D23/253**

(58) **Field of Classification Search**  
USPC ..... D23/238-242, 249-250, 252, 254-255,  
D23/257, 253; D8/307-308  
CPC ..... Y10T 137/9464  
See application file for complete search history.

(56) **References Cited**

**U.S. PATENT DOCUMENTS**

D592,281 S \* 5/2009 Eilmus ..... D23/252  
D596,715 S \* 7/2009 Haug ..... D23/254

D682,991 S 5/2013 Liao  
D688,777 S 8/2013 Liao  
D739,504 S \* 9/2015 Standefer ..... D23/255  
D795,393 S \* 8/2017 Fritz ..... D23/238  
D797,258 S \* 9/2017 Schaubach ..... D23/255  
D797,895 S \* 9/2017 Schaubach ..... D23/252

**FOREIGN PATENT DOCUMENTS**

EM 002679761-0005 4/2015

\* cited by examiner

*Primary Examiner* — Robert A Delehanty

(74) *Attorney, Agent, or Firm* — Lora J. Graentzdoerffer

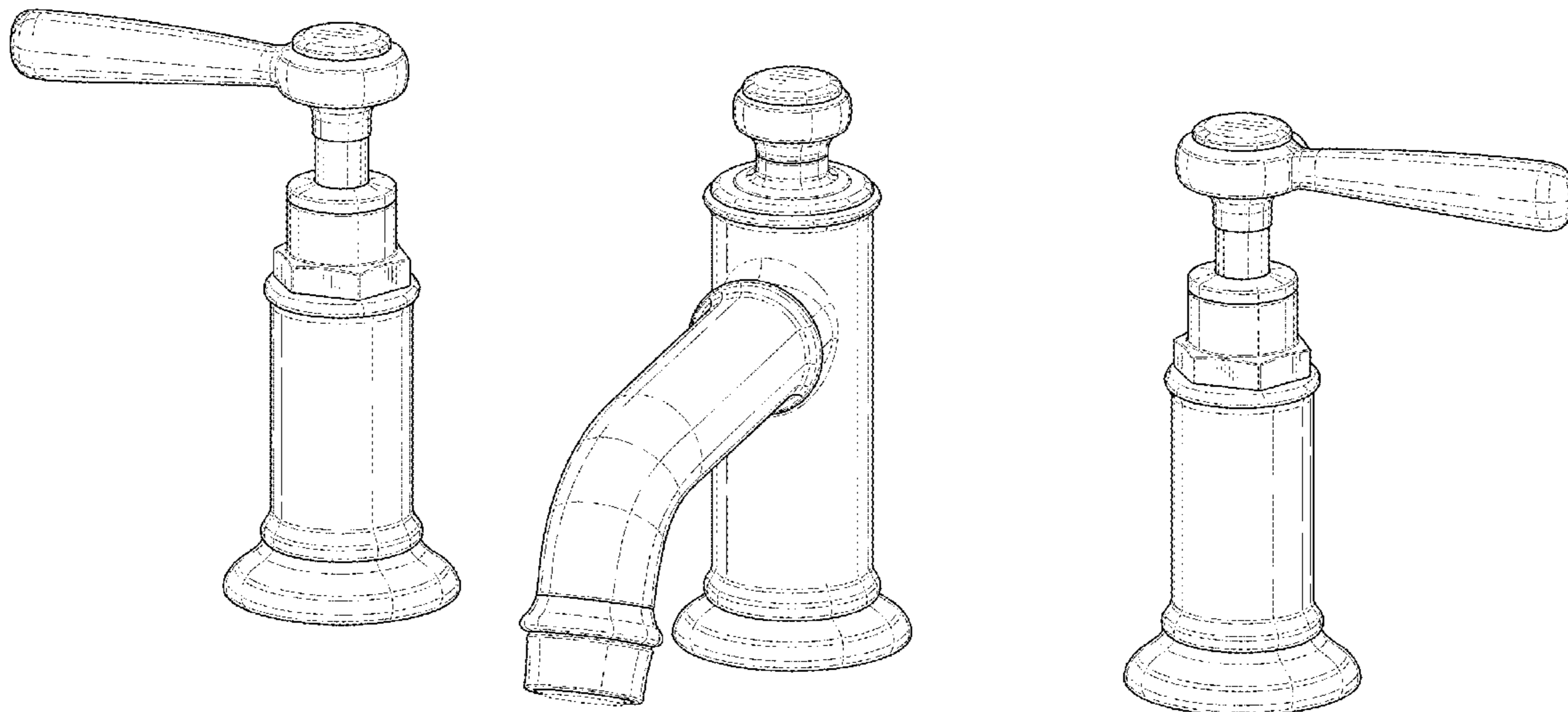
(57) **CLAIM**

The ornamental design for a faucet assembly, as shown and described.

**DESCRIPTION**

FIG. 1 is a perspective view of a faucet assembly showing our design;  
FIG. 2 is a front elevation view;  
FIG. 3 is a rear elevation view;  
FIG. 4 is side elevation view;  
FIG. 5 is a top plan view; and,  
FIG. 6 is a bottom plan view.  
The broken-line disclosure in the view represents a portion of the faucet assembly in which the claimed design is embodied, but which forms no part of the claimed design.

**1 Claim, 6 Drawing Sheets**



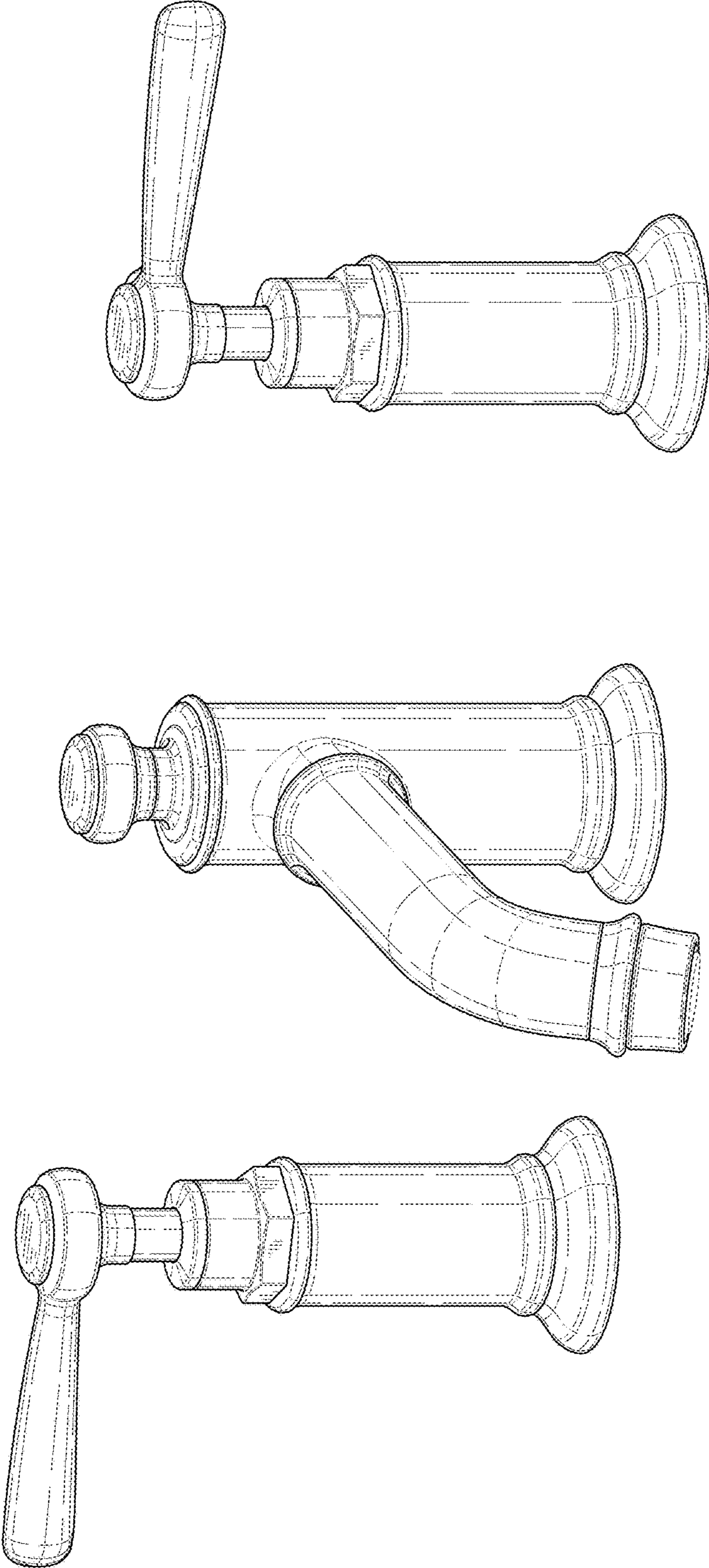


FIG. 1

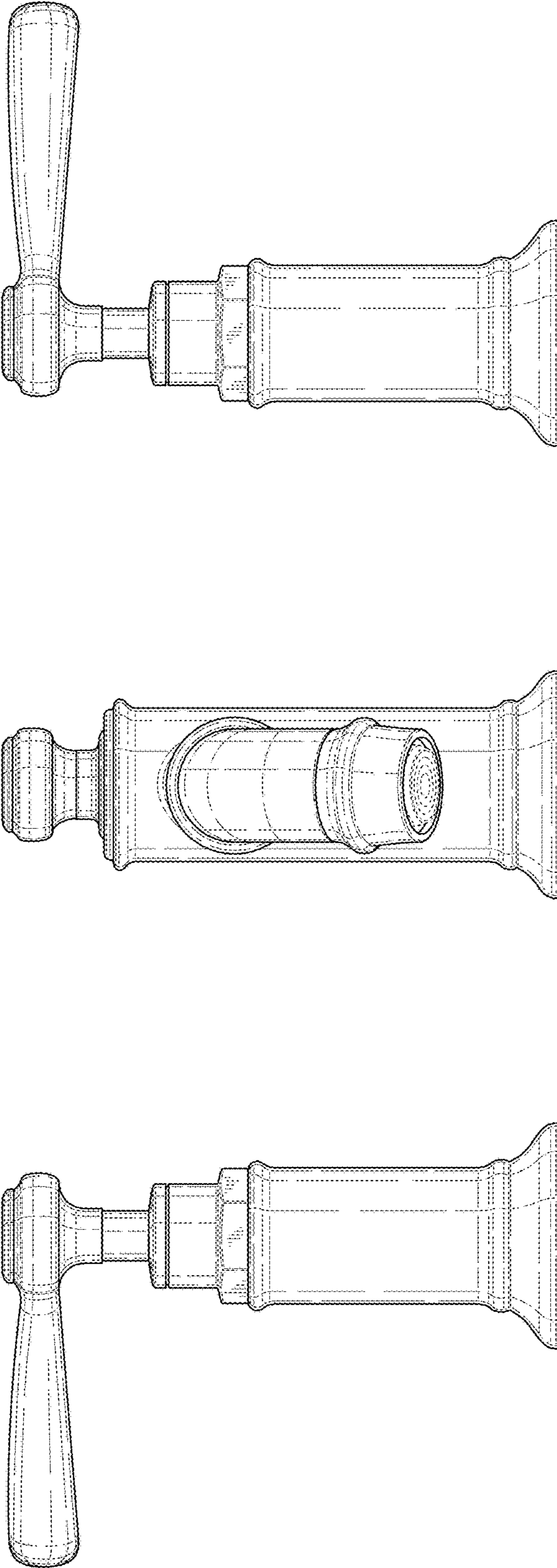


FIG. 2

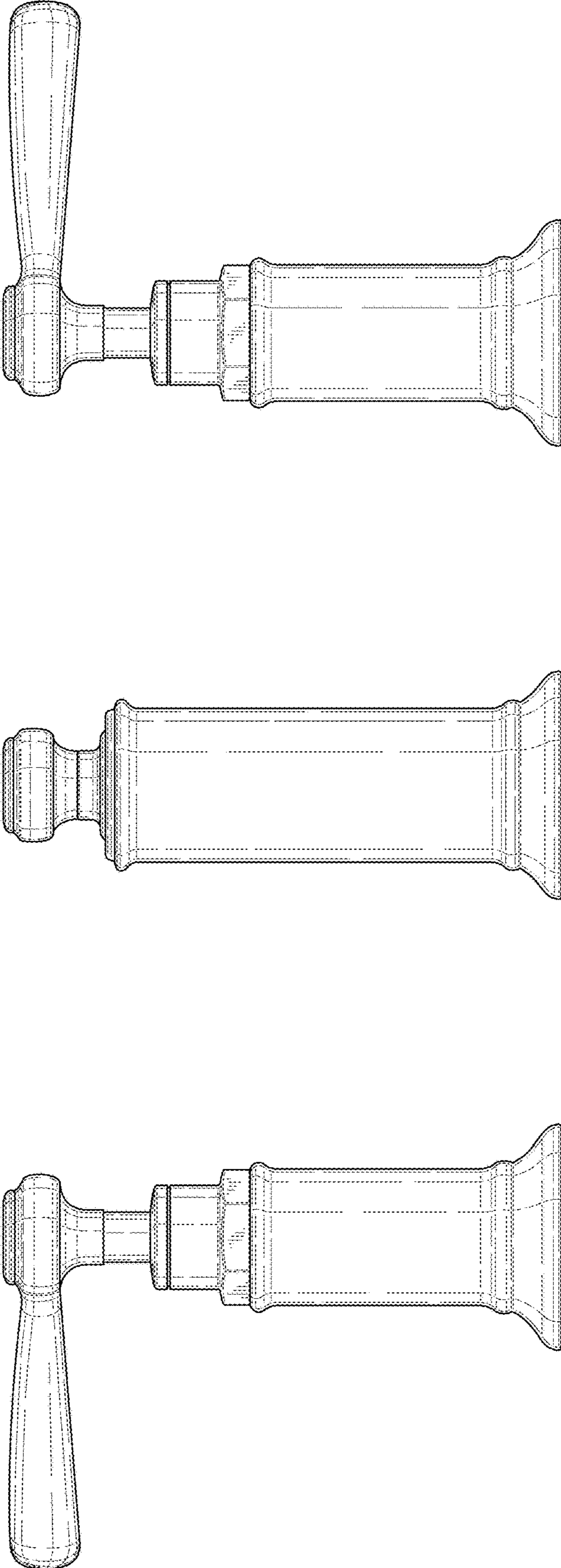


FIG. 3



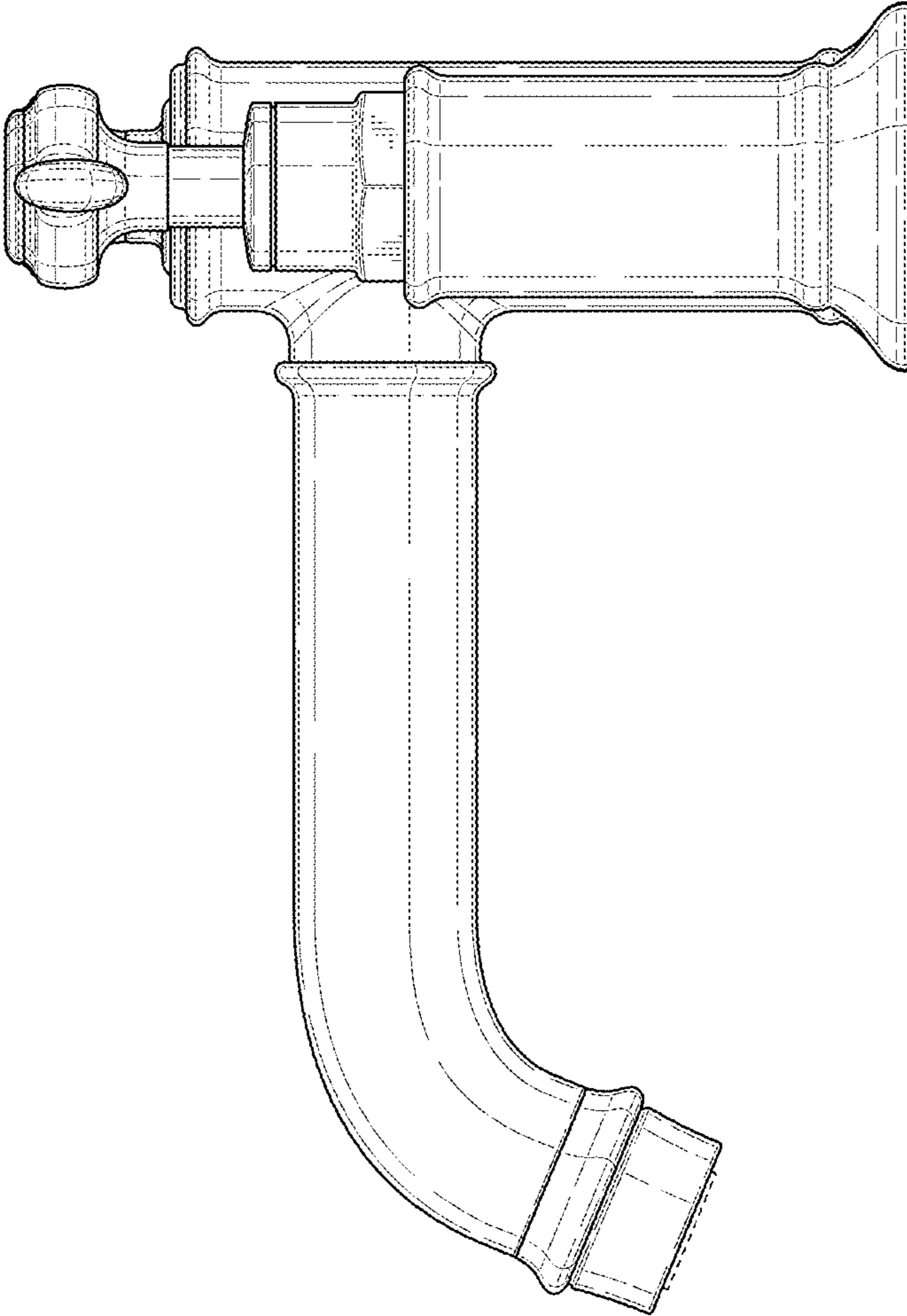


FIG. 4

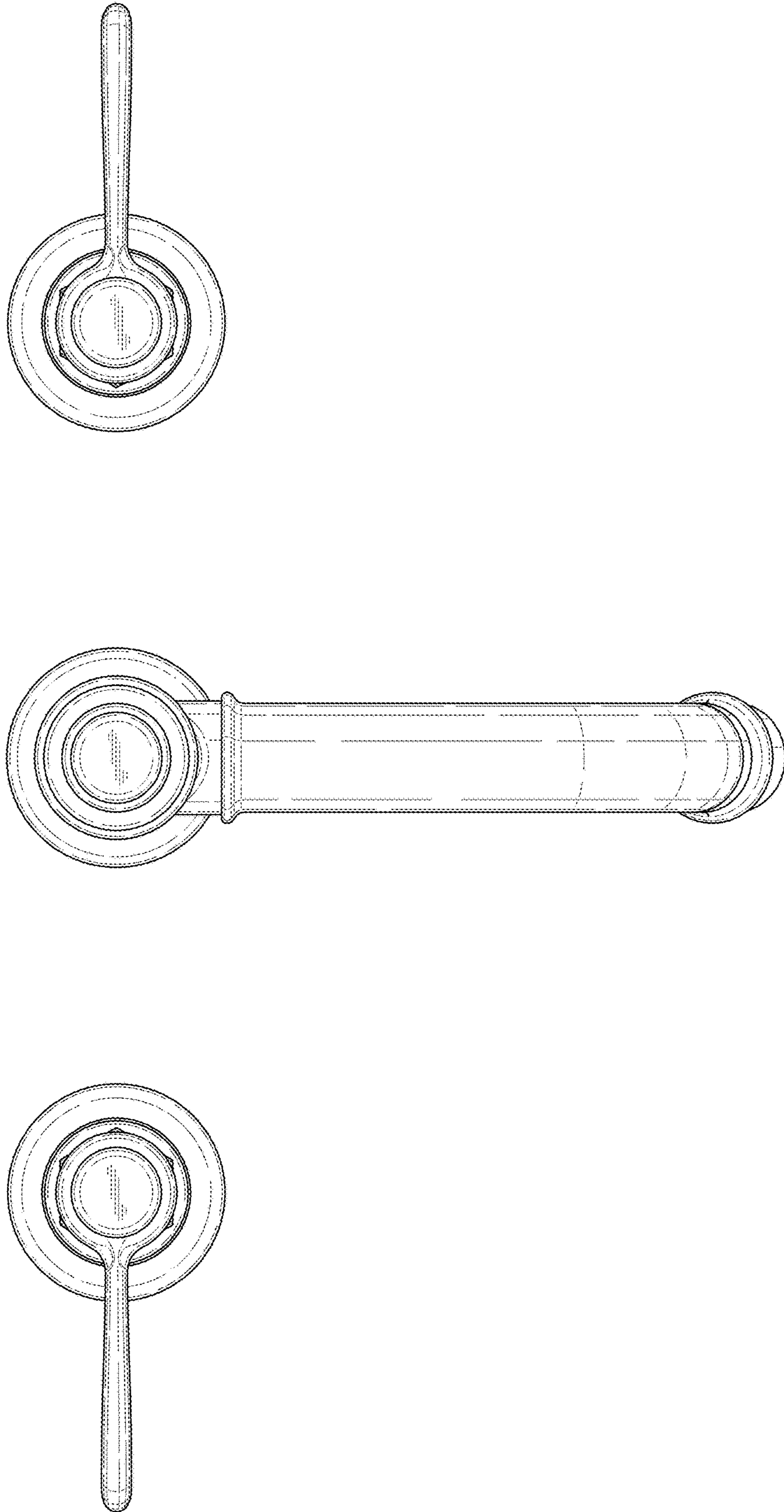


FIG. 5

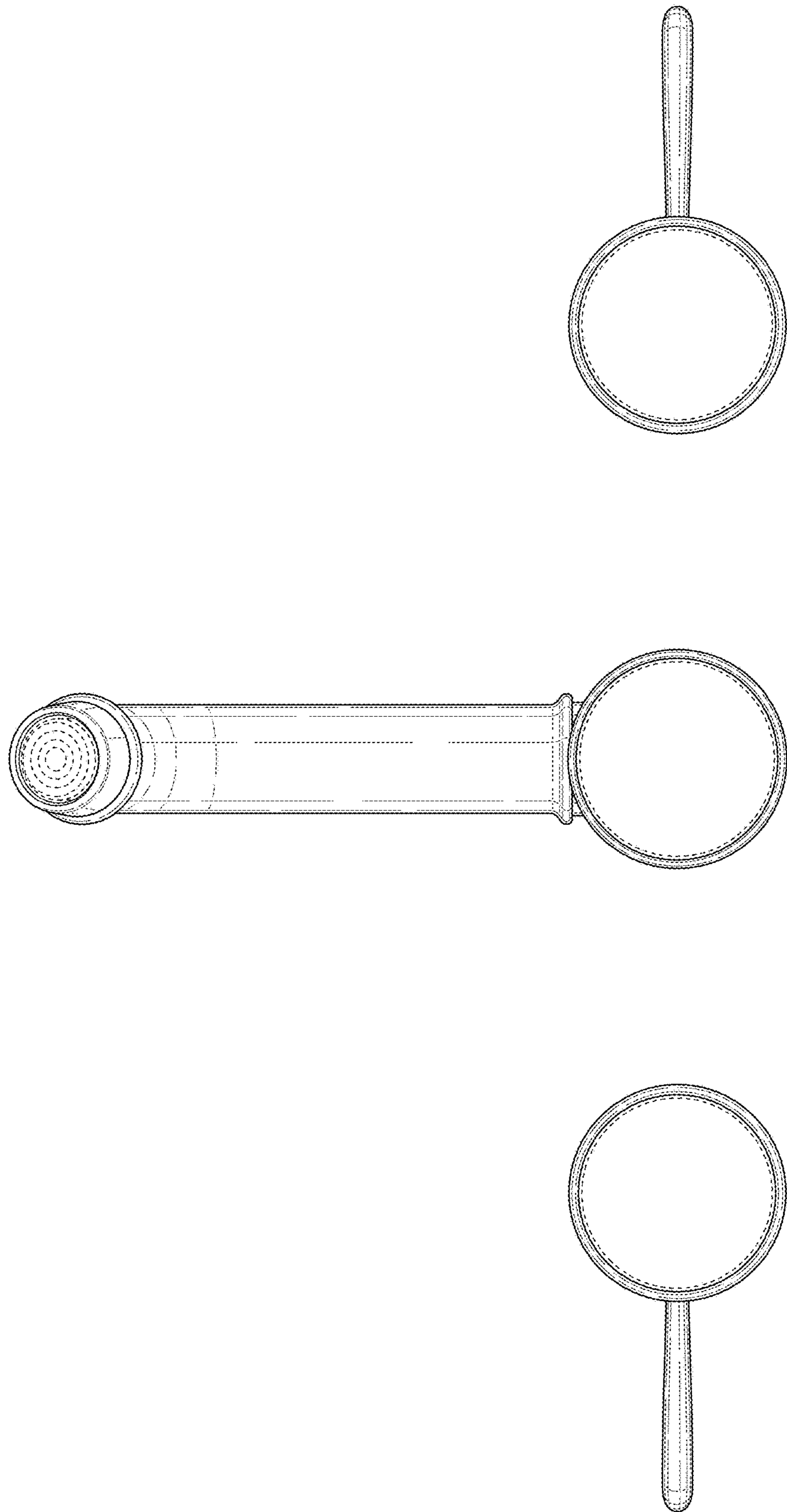


FIG. 6