



US00D803357S

(12) **United States Design Patent**
Lucchese

(10) **Patent No.:** **US D803,357 S**

(45) **Date of Patent:** **** Nov. 21, 2017**

(54) **MIXING TAP**

(71) Applicant: **FIR ITALIA S.P.A.**, Vaprio d'Agogna
(NO) (IT)

(72) Inventor: **Francesco Lucchese**, Brescia (IT)

(73) Assignee: **FIR ITALIA S.P.A.**, Varpio d'Agogna
(NO) (IT)

(**) Term: **15 Years**

(21) Appl. No.: **29/578,197**

(22) Filed: **Sep. 19, 2016**

(30) **Foreign Application Priority Data**

Mar. 18, 2016 (EM) 003035039-0003

(51) **LOC (10) Cl.** **23-01**

(52) **U.S. Cl.**
USPC **D23/238**

(58) **Field of Classification Search**
USPC D23/238, 241-243, 249-250, 252,
D23/254-255, 257; D8/107-108
CPC E03C 1/04; E03C 1/0401; E03C 1/0402;
E03C 1/0404; E03C 1/0405; E03C
1/0412; Y10T 137/9464

See application file for complete search history.

(56) **References Cited**

U.S. PATENT DOCUMENTS

D271,704 S *	12/1983	Paul	D23/238
D645,941 S *	9/2011	Ando	D23/242
D659,807 S *	5/2012	Flowers	D23/255
D680,627 S *	4/2013	Lord	D23/255
D692,104 S *	10/2013	Gessi	D23/238
D737,938 S *	9/2015	Schoenherr	D23/242

* cited by examiner

Primary Examiner — Robert A Delehanty

(74) *Attorney, Agent, or Firm* — Hedman & Costigan,
P.C.; James V. Costigan; Kathleen A. Costigan

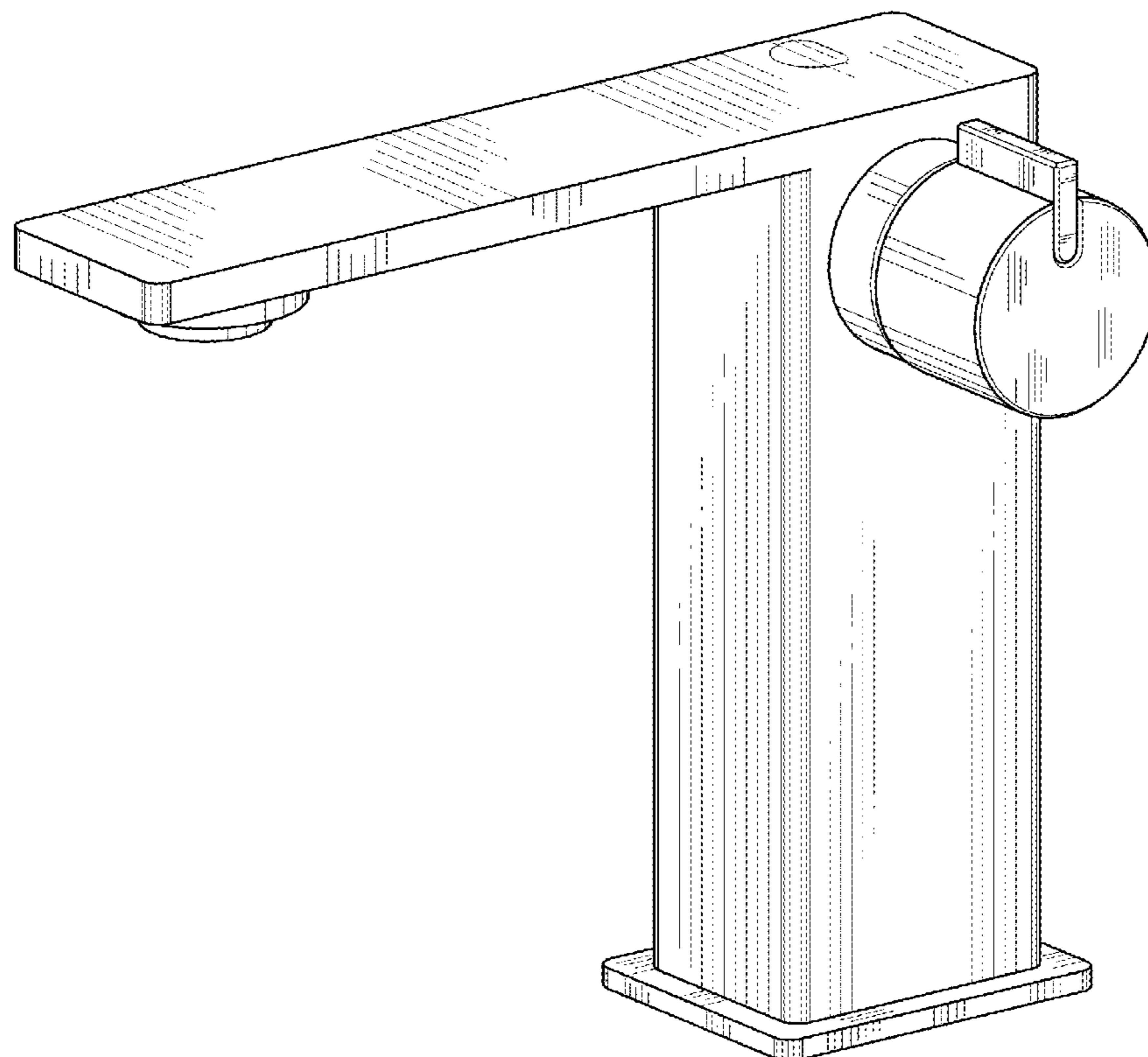
(57) **CLAIM**

The ornamental design for a mixing tap, as shown and described.

DESCRIPTION

FIG. 1 is a front, left side perspective view of a mixing tap showing my new design;
FIG. 2 is a front, right side perspective view thereof;
FIG. 3 is a front elevation view thereof;
FIG. 4 is a right side view thereof;
FIG. 5 is a left side view thereof;
FIG. 6 is a rear elevation view thereof;
FIG. 7 is a top view thereof; and,
FIG. 8 is a bottom view thereof.

1 Claim, 8 Drawing Sheets



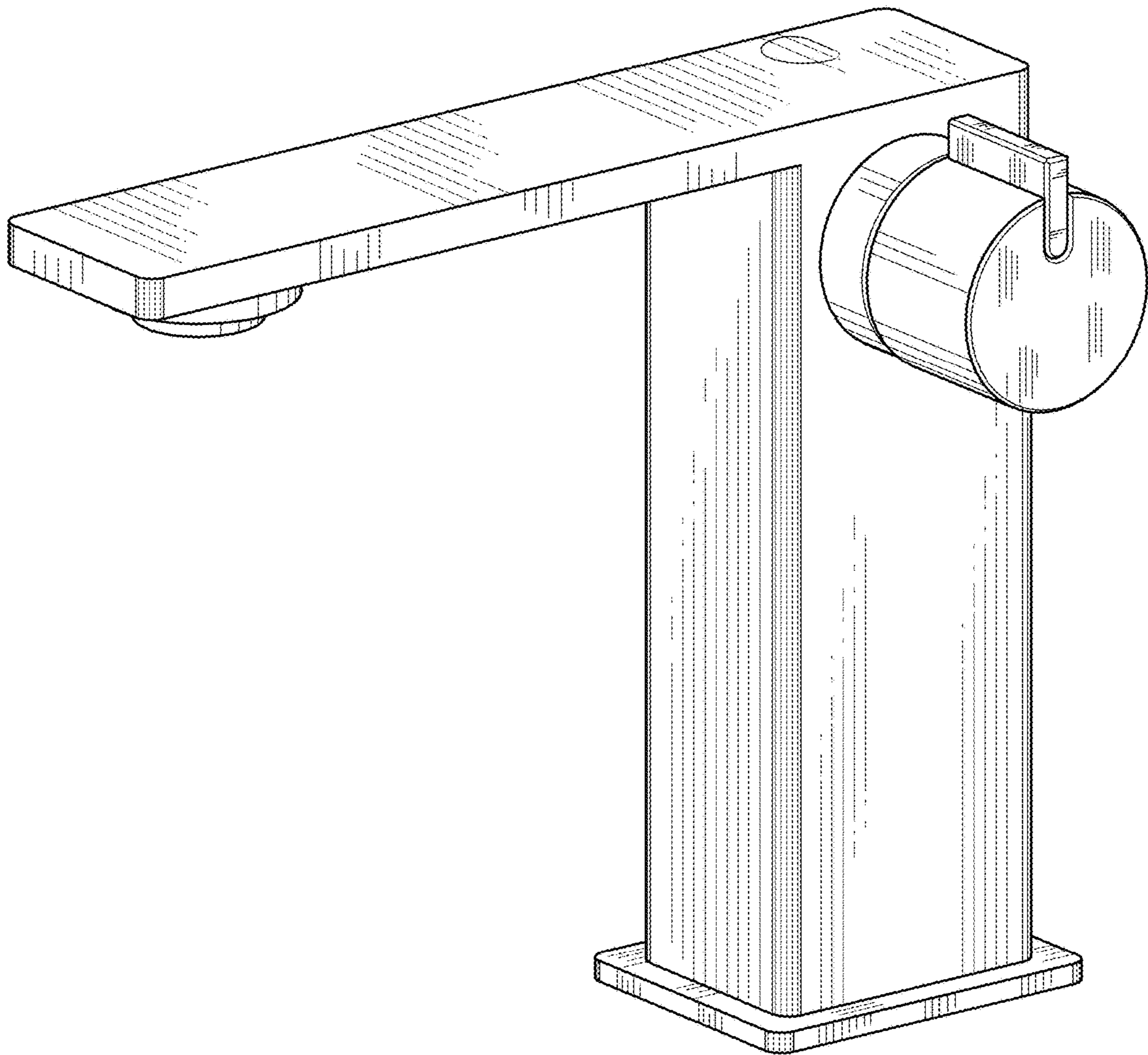


FIG. 1

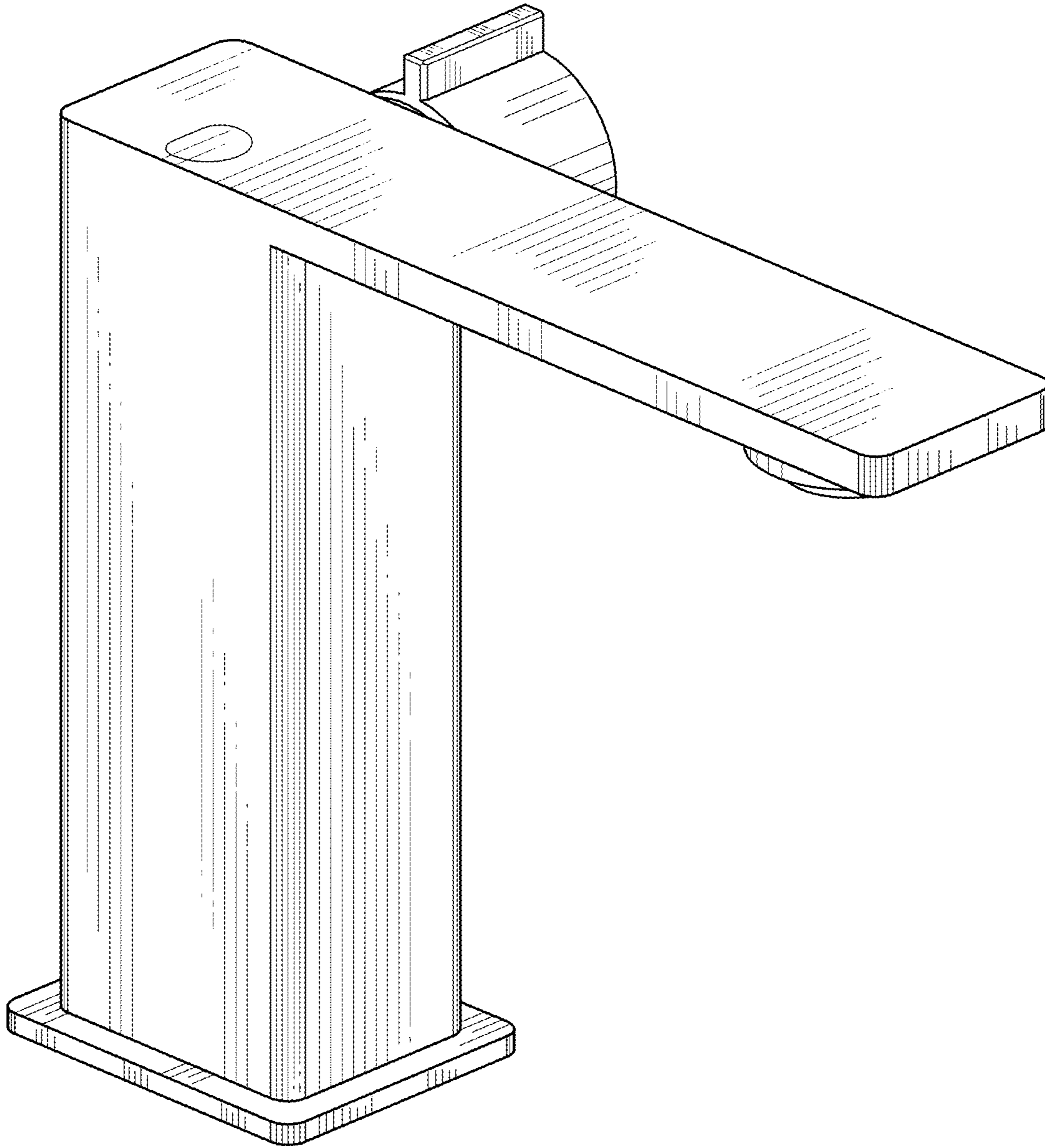


FIG. 2

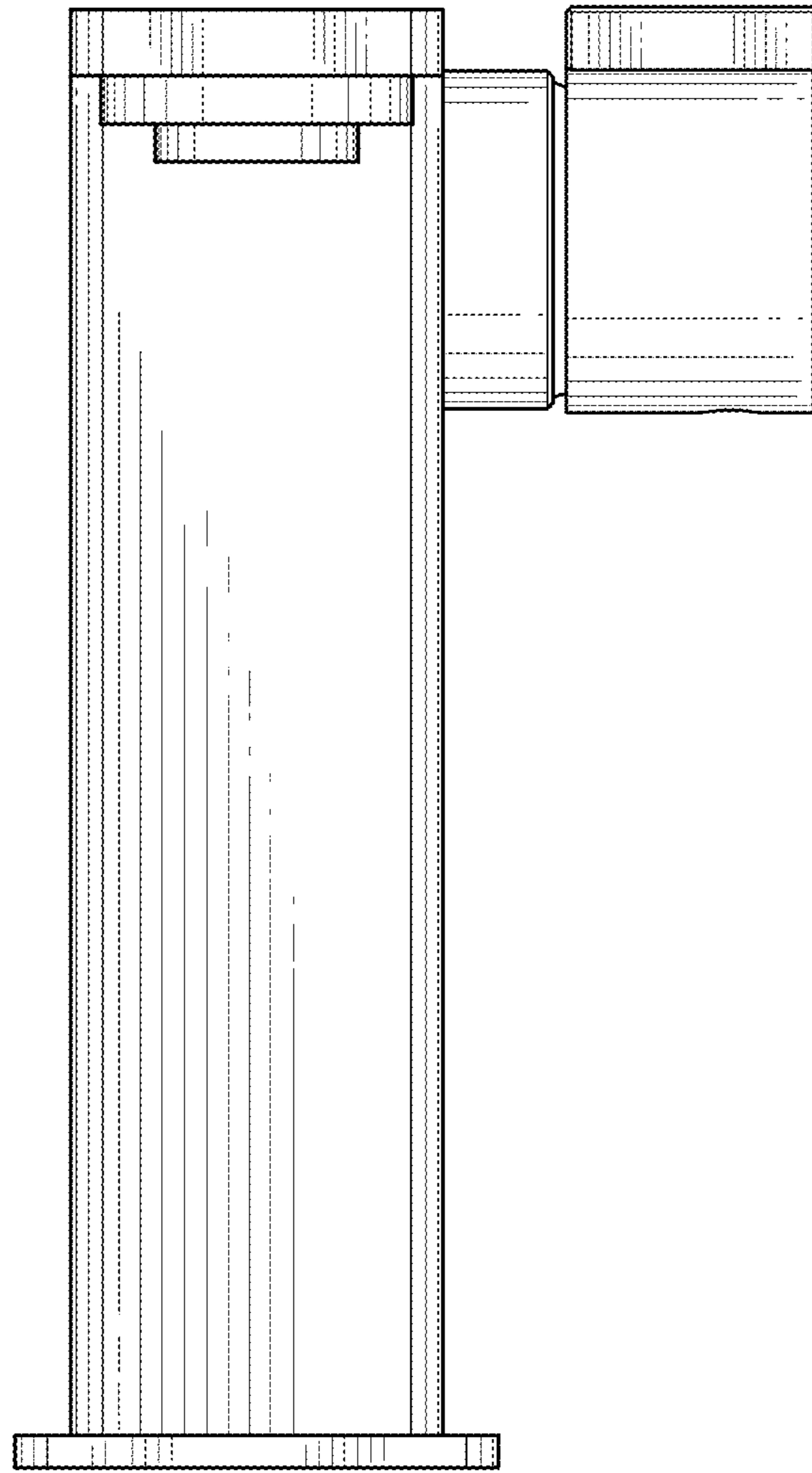


FIG. 3

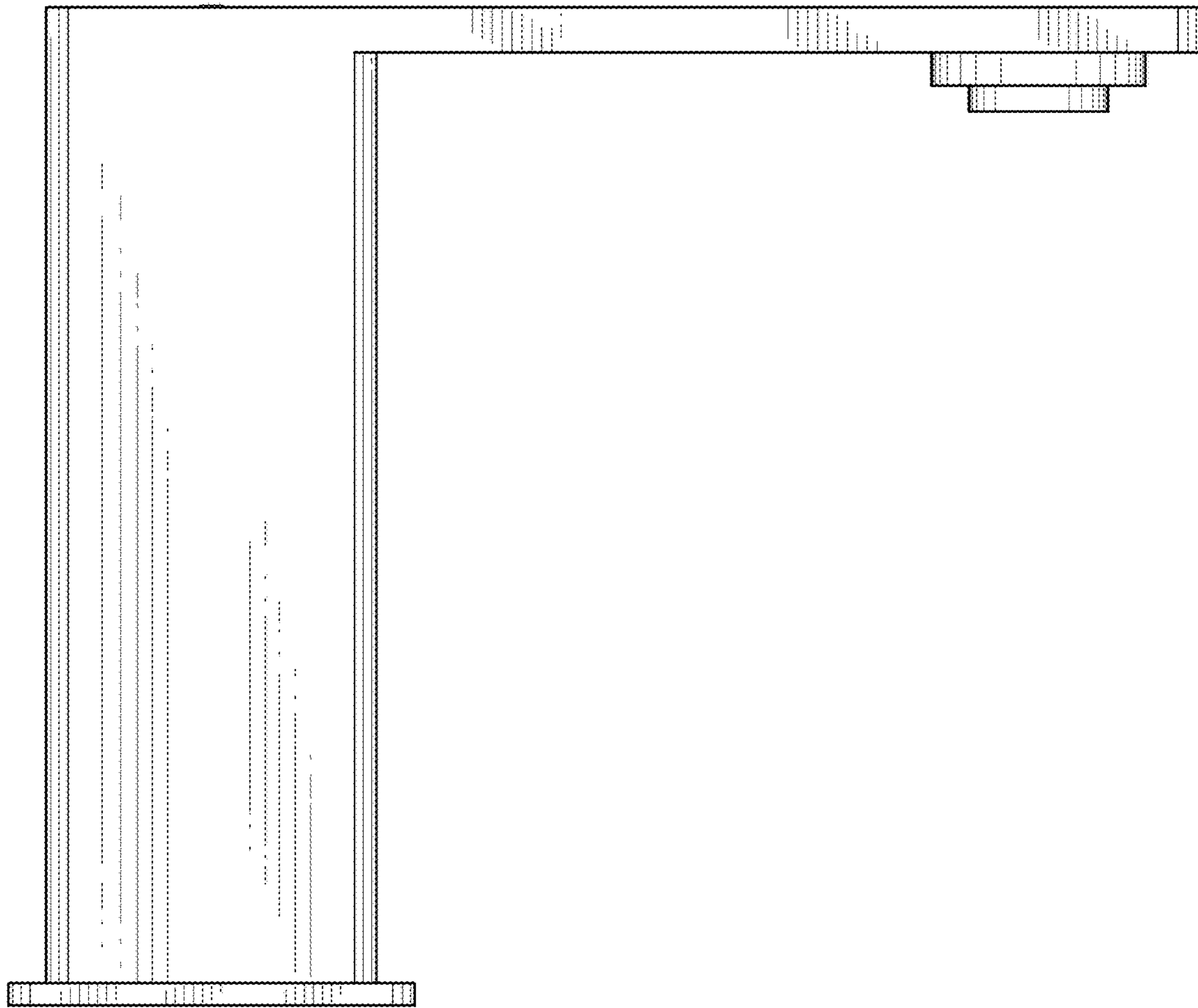


FIG. 4

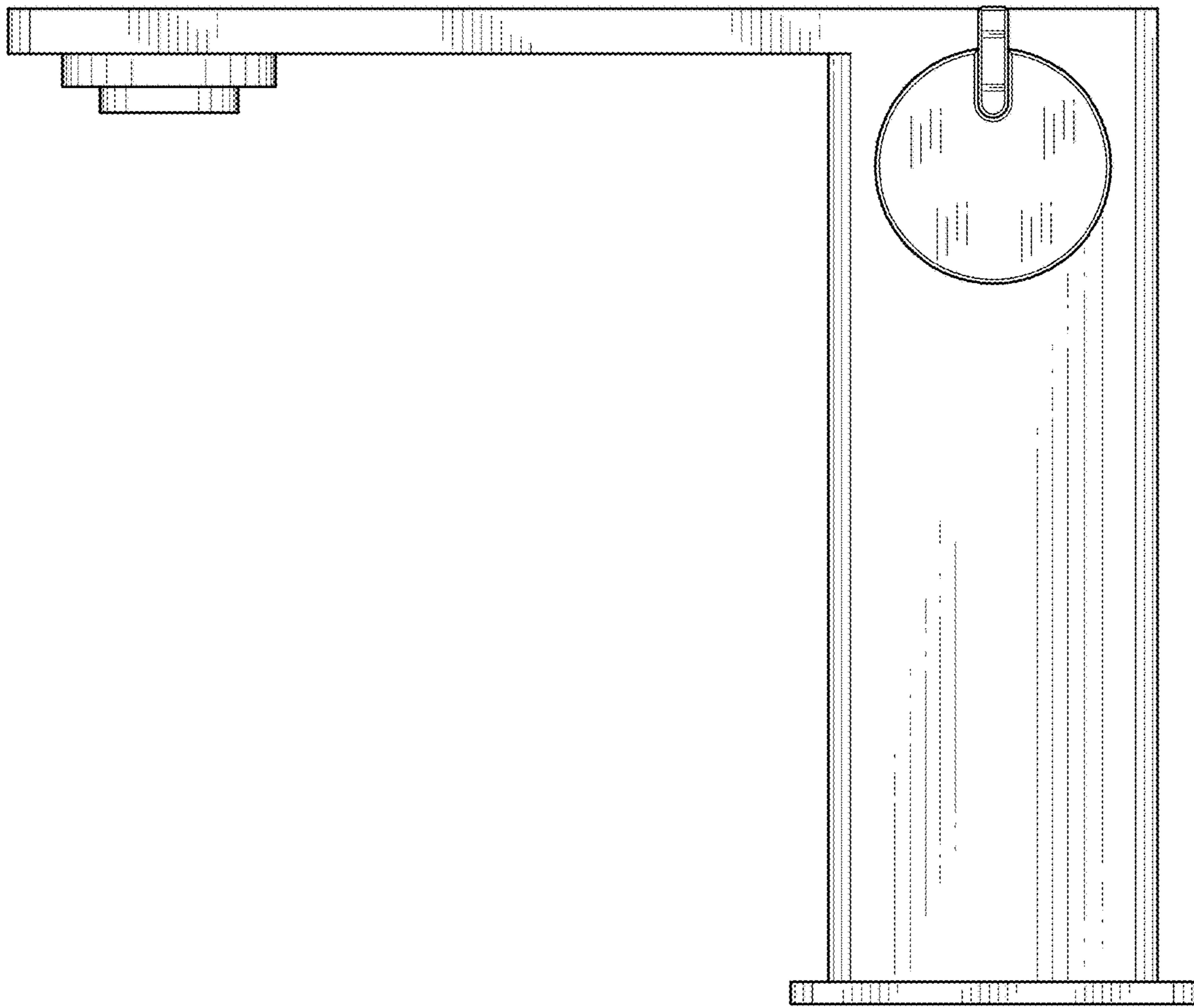


FIG. 5

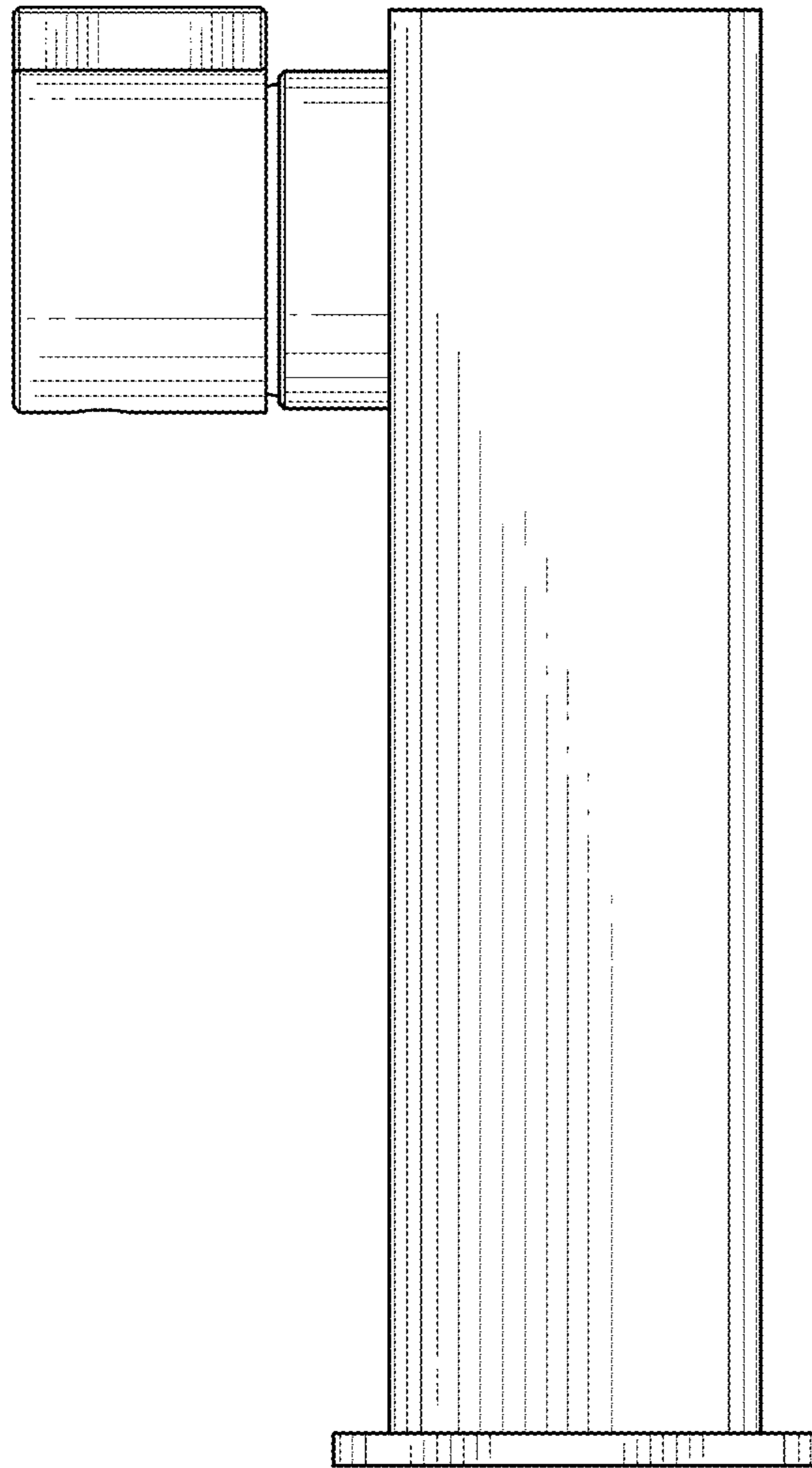


FIG. 6

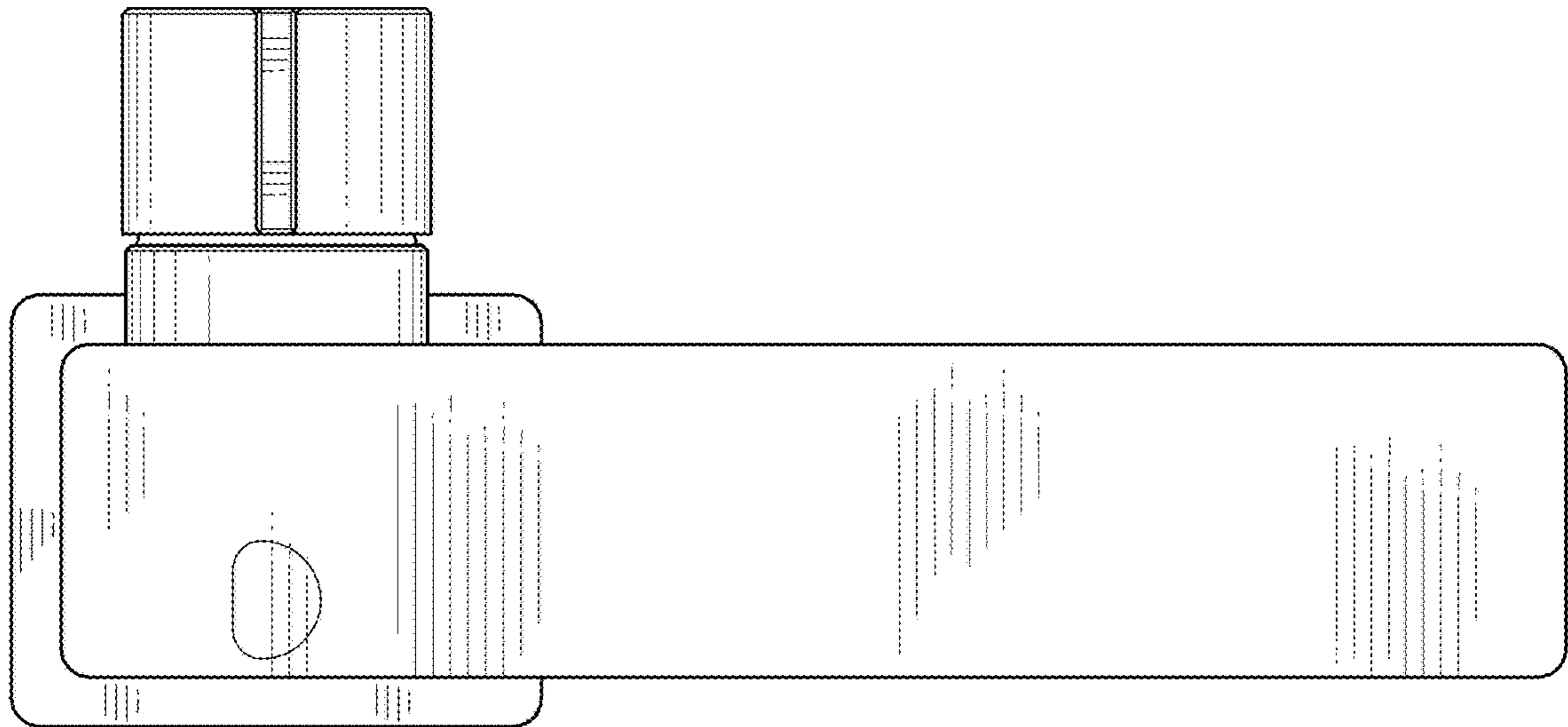


FIG. 7

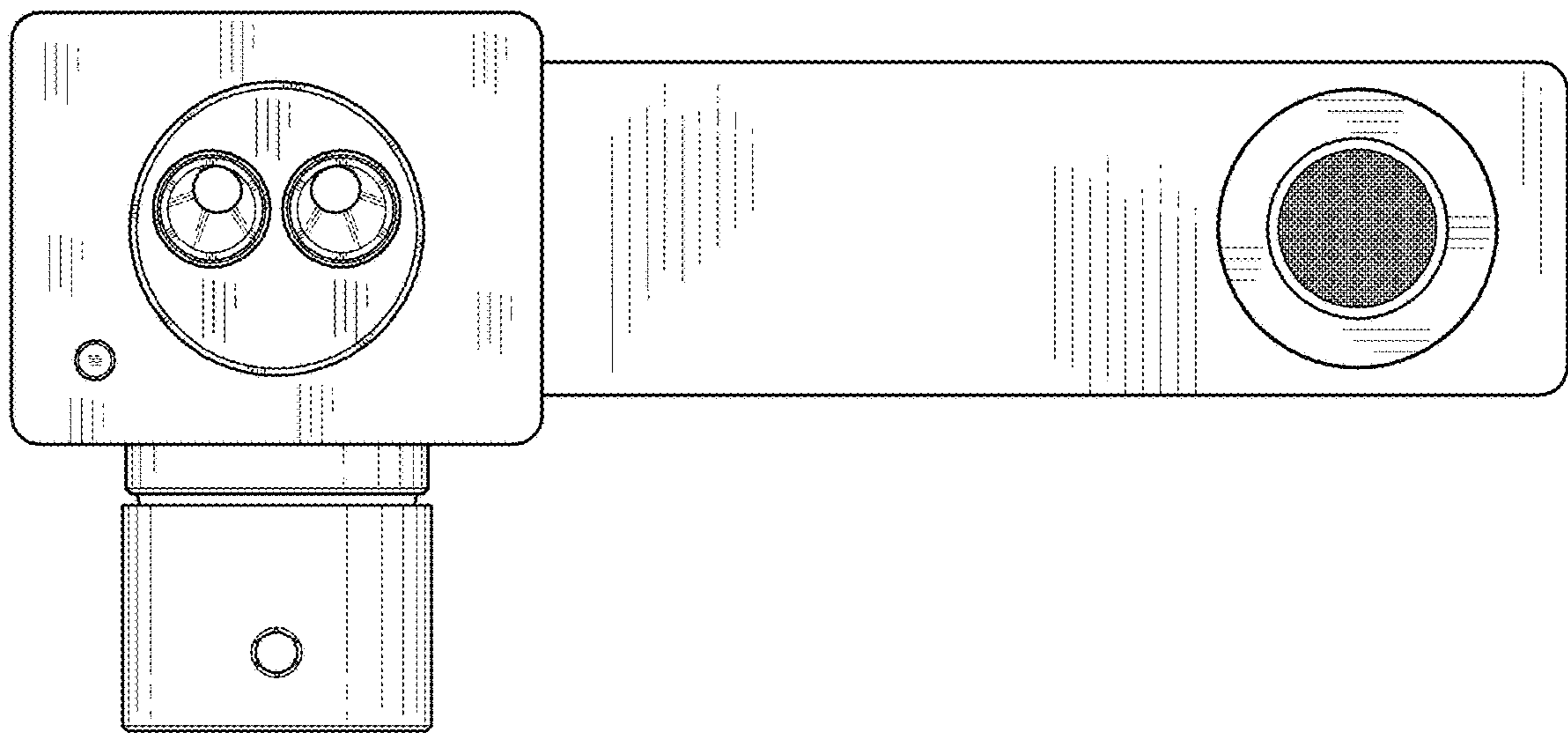


FIG. 8