



US00D803356S

(12) **United States Design Patent**  
**Lucchese**

(10) **Patent No.:** **US D803,356 S**

(45) **Date of Patent:** **\*\* Nov. 21, 2017**

(54) **MIXING TAP**

(71) Applicant: **FIR ITALIA S.P.A.**, Vaprio D'Agogna  
(NO) (IT)

(72) Inventor: **Francesco Lucchese**, Brescia (IT)

(73) Assignee: **FIR ITALIA S.P.A.**, Vaprio D'Agogna  
(NO) (IT)

(\*\*) Term: **15 Years**

(21) Appl. No.: **29/578,181**

(22) Filed: **Sep. 19, 2016**

(30) **Foreign Application Priority Data**

Mar. 18, 2016 (EM) ..... 003035039-0001

(51) **LOC (10) Cl.** ..... **23-01**

(52) **U.S. Cl.**  
USPC ..... **D23/238**

(58) **Field of Classification Search**  
USPC ..... D23/238, 241-243, 249-250, 252,  
D23/254-255, 257

CPC ..... E03C 1/04; E03C 1/0401; E03C 1/0402;  
E03C 1/0404; E03C 1/0405; E03C  
1/0412; Y10T 137/9464

See application file for complete search history.

(56) **References Cited**

**U.S. PATENT DOCUMENTS**

D271,704 S \* 12/1983 Paul ..... D23/238  
D495,780 S \* 9/2004 Aubry ..... D23/252

D541,906 S \* 5/2007 Qing ..... D23/238  
D596,711 S \* 7/2009 Sieger ..... D23/238  
D645,938 S \* 9/2011 Ando ..... D23/238  
D645,941 S \* 9/2011 Ando ..... D23/242  
D659,807 S \* 5/2012 Flowers ..... D23/255  
D666,694 S \* 9/2012 Kulig ..... D23/238

\* cited by examiner

*Primary Examiner* — Robert A Delehanty

(74) *Attorney, Agent, or Firm* — Hedman & Costigan,  
P.C.; James V. Costigan; Kathleen A. Costigan

(57) **CLAIM**

The ornamental design for a mixing tap, as shown and described.

**DESCRIPTION**

FIG. 1 is a front, right side perspective view of a mixing tap showing my new design;

FIG. 2 is a front elevation view thereof;

FIG. 3 is a right side view thereof;

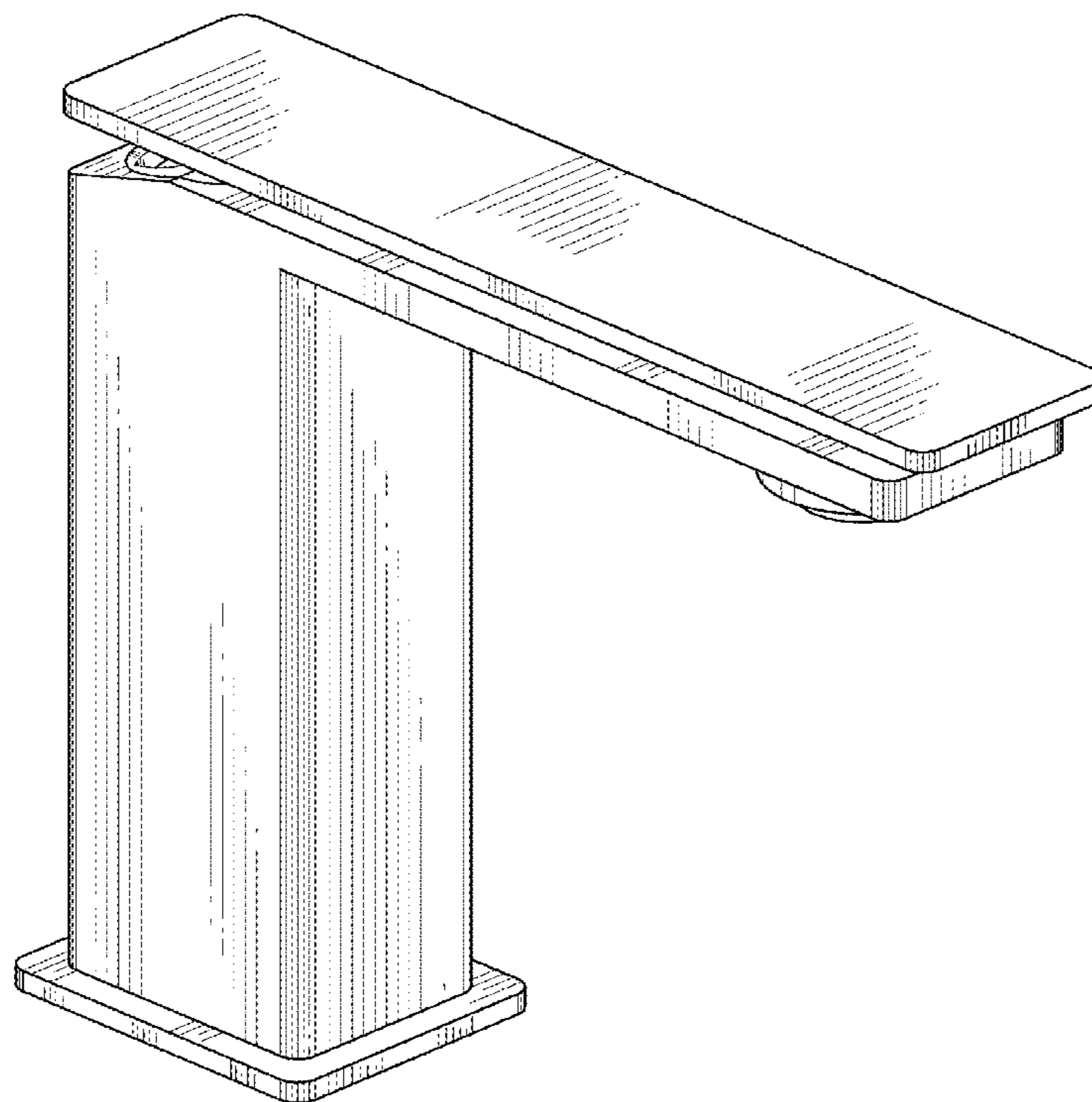
FIG. 4 is a left side view thereof;

FIG. 5 is a rear elevation view thereof;

FIG. 6 is a top view thereof; and,

FIG. 7 is a bottom view thereof.

**1 Claim, 7 Drawing Sheets**



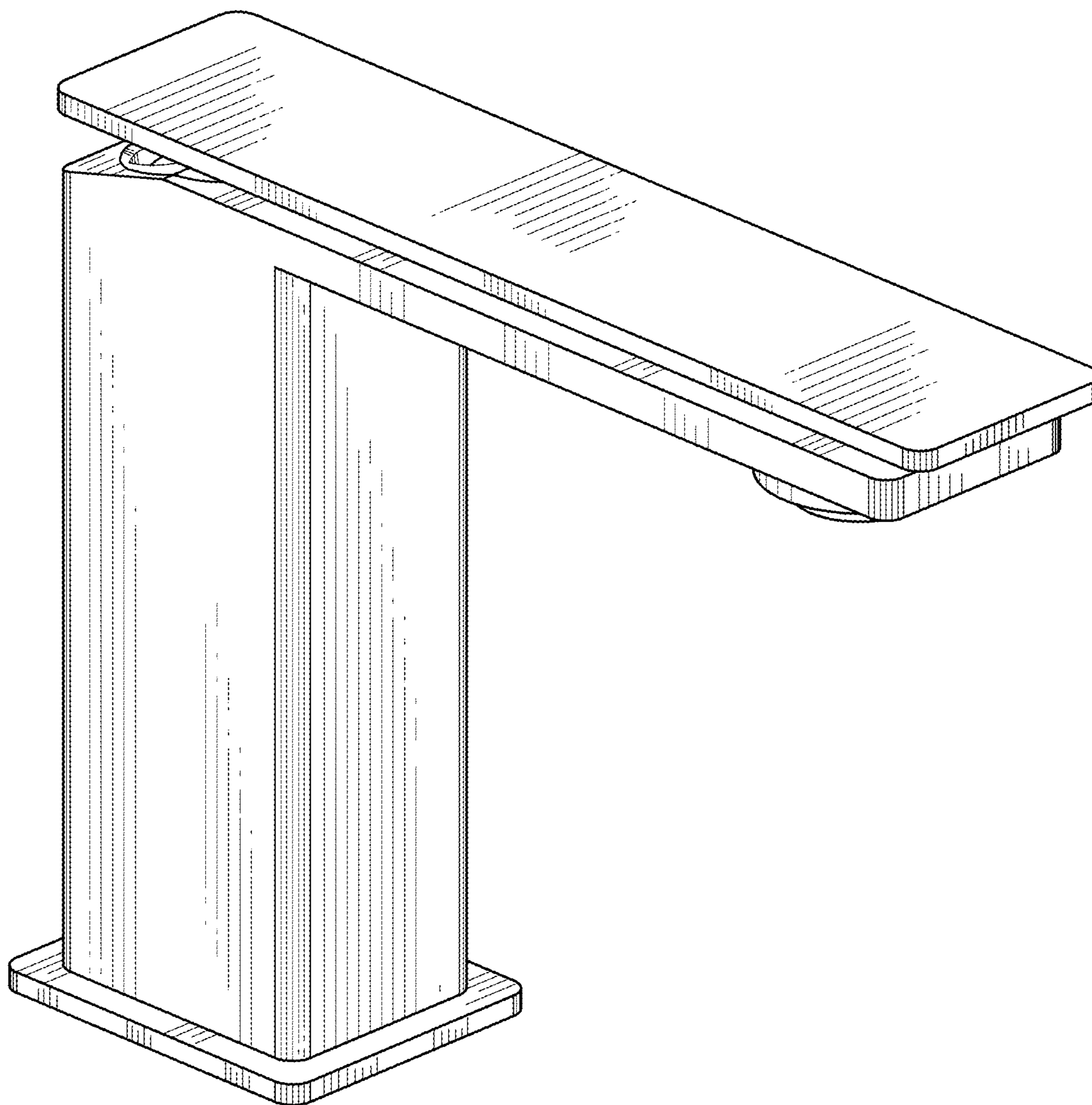


FIG. 1

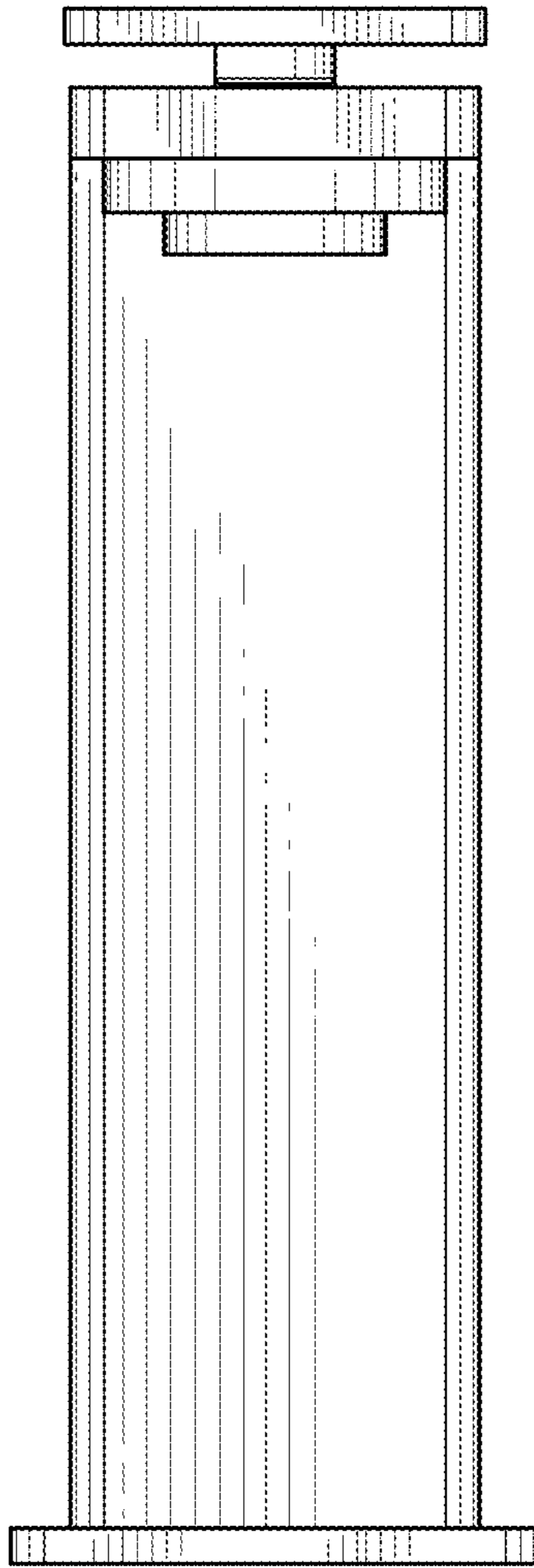


FIG. 2

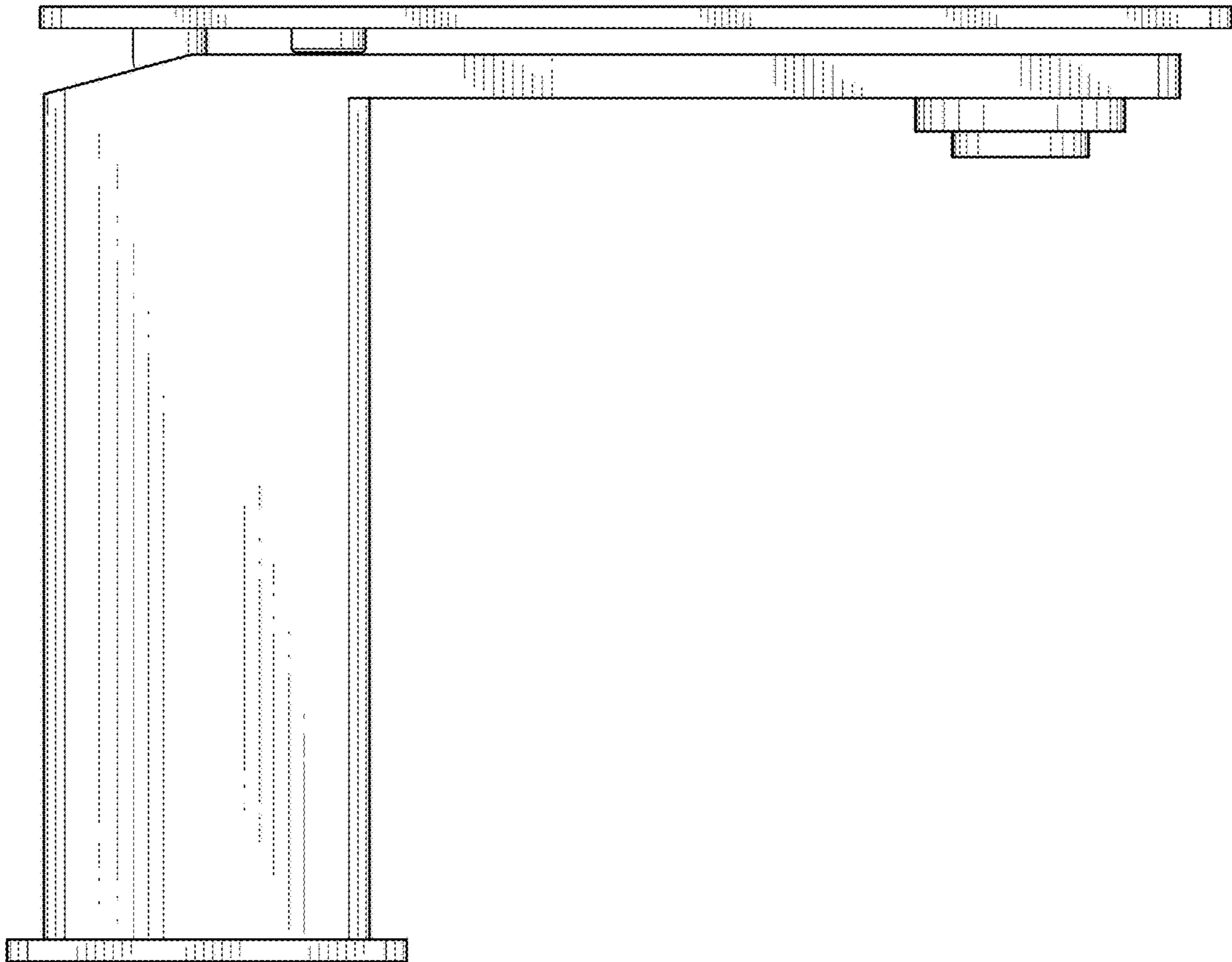


FIG. 3

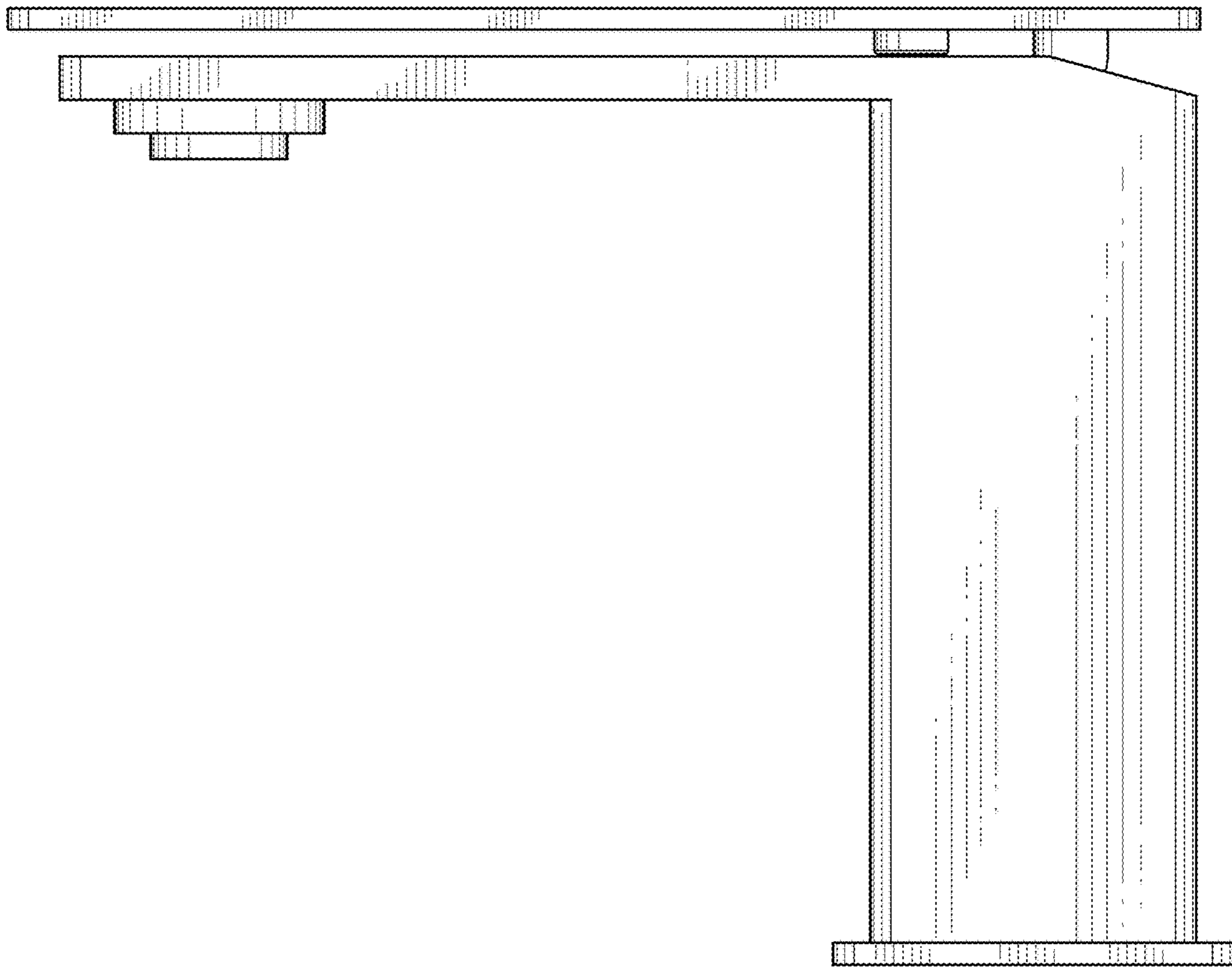


FIG. 4

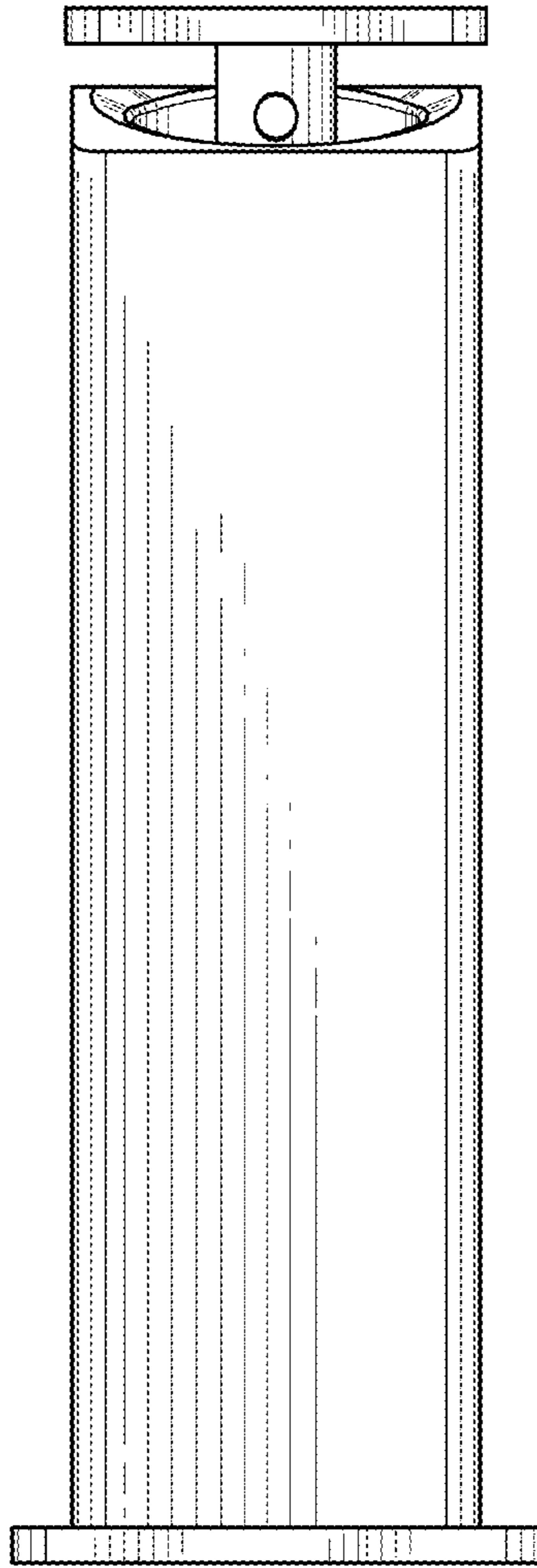


FIG. 5



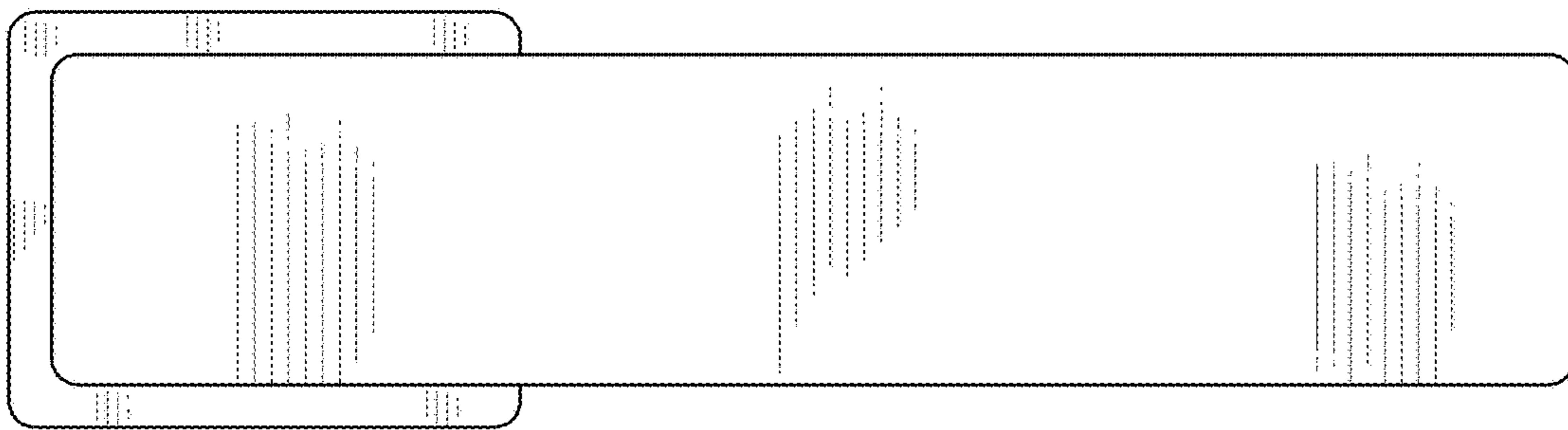


FIG. 6

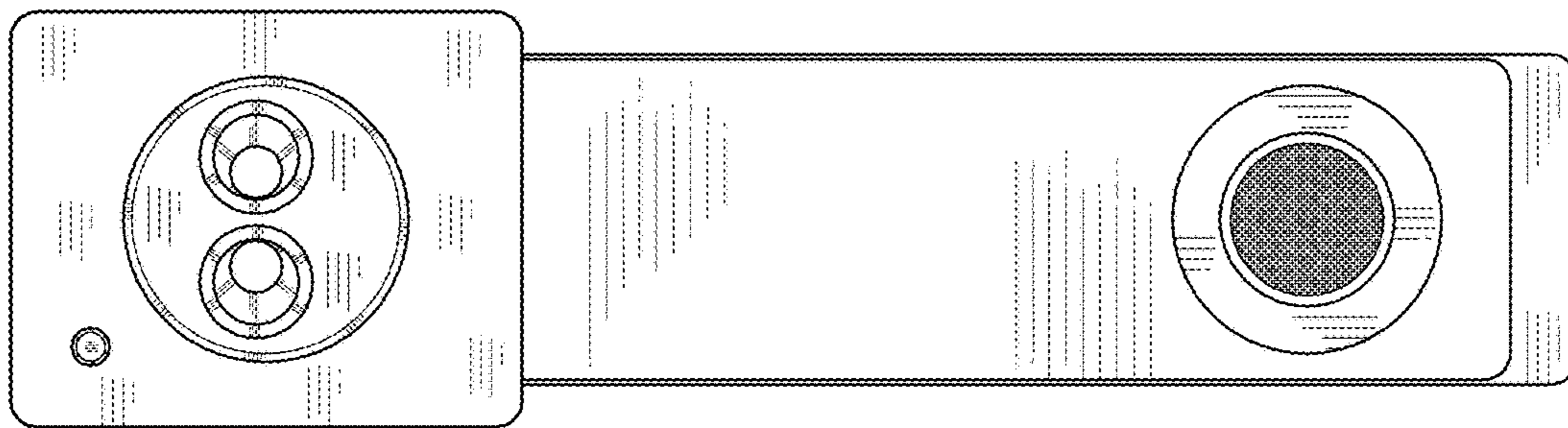


FIG. 7