



US00D803353S

(12) **United States Design Patent**  
**Negri et al.**

(10) **Patent No.:** **US D803,353 S**

(45) **Date of Patent:** **\*\* Nov. 21, 2017**

(54) **SPRAY GUN**

(71) Applicant: **ANEST IWATA Corporation,**  
Yokohama-shi, Kanagawa (JP)

(72) Inventors: **Marco Negri,** Yokohama (JP); **Takuya**  
**Matsumoto,** Yokohama (JP)

(\*\*) Term: **15 Years**

(21) Appl. No.: **35/501,551**

(22) Filed: **Mar. 10, 2016**

(80) **Hague Agreement Data**

Int. Filing Date: **Mar. 10, 2016**

Int. Reg. No.: **DM/090134**

Int. Reg. Date: **Mar. 10, 2016**

Int. Reg. Pub. Date: **Sep. 16, 2016**

(30) **Foreign Application Priority Data**

Sep. 15, 2015 (JP) ..... 2015-020496

(51) **LOC (10) Cl.** ..... **23-01**

(52) **U.S. Cl.**  
USPC ..... **D23/226**

(58) **Field of Classification Search**

USPC ..... D23/213, 223, 226

CPC ..... B05B 5/0533; B05B 5/1691; B05B 5/043;  
B05B 7/241; B05B 7/2408

See application file for complete search history.

(56) **References Cited**

**U.S. PATENT DOCUMENTS**

D513,306 S *	12/2005	Chen	.....	D23/226
D523,111 S *	6/2006	Huang	.....	D23/226
D536,418 S *	2/2007	Huang	.....	D23/226
D570,448 S *	6/2008	Wang	.....	D23/226
D574,059 S *	7/2008	Huang	.....	D23/223
D574,928 S *	8/2008	Huang	.....	D23/226
D575,374 S *	8/2008	Huang	.....	D23/226

D604,394 S *	11/2009	Wang	.....	D23/226
D605,730 S *	12/2009	Kosaka	.....	D23/226
D607,086 S *	12/2009	Kosaka	.....	D23/226
D607,972 S *	1/2010	Wang	.....	D23/226
D616,527 S *	5/2010	Anderson	.....	D23/226
D637,269 S *	5/2011	Wang	.....	D23/226
D641,067 S *	7/2011	Wang	.....	D23/226
D672,012 S *	12/2012	Brose	.....	D23/226
D689,593 S *	9/2013	Schmon	.....	D23/226
D697,584 S *	1/2014	Schmon	.....	D23/226
D704,300 S *	5/2014	Li	.....	D23/225
D725,743 S *	3/2015	Richter	.....	D23/226
D734,428 S *	7/2015	Wang	.....	D23/226
D734,429 S *	7/2015	Wang	.....	D23/226
D734,430 S *	7/2015	Wang	.....	D23/226
D738,462 S *	9/2015	Wang	.....	D23/226
D754,286 S *	4/2016	Wang	.....	D23/226
D754,287 S *	4/2016	Wang	.....	D23/226
D757,216 S *	5/2016	Gehrung	.....	D23/225

(Continued)

*Primary Examiner* — Michael A Pratt

(57) **CLAIM**

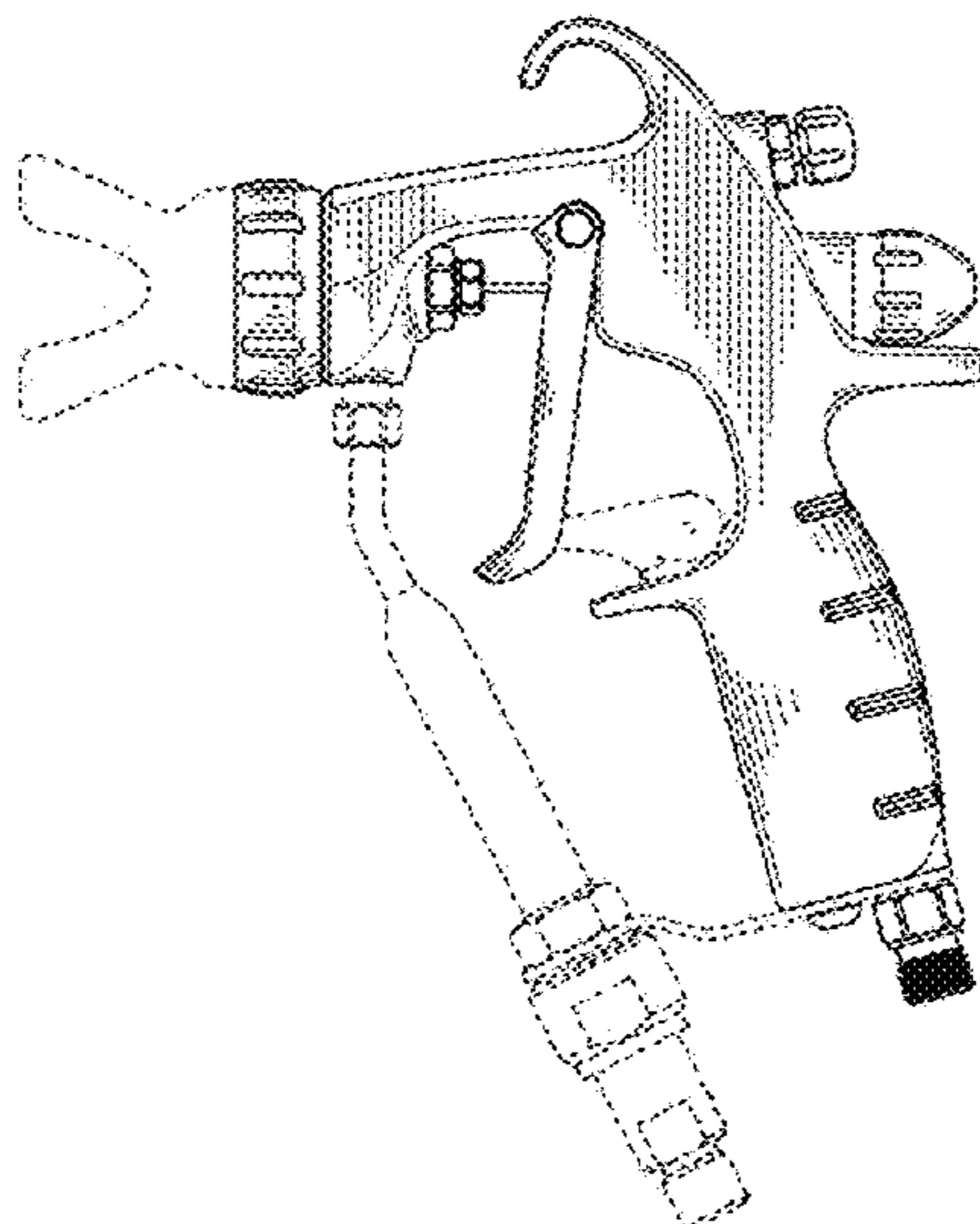
The ornamental design for a spray gun, as shown and described.

**DESCRIPTION**

- 1. Spray gun
- 1.1 : Front
- 1.2 : Back
- 1.3 : Top
- 1.4 : Bottom
- 1.5 : Left
- 1.6 : Right
- 1.7 : Perspective view showing front side
- 1.8 : Perspective view showing rear side

This article is a spray gun that applies chemicals, parting agents, glue, coating materials or the like; the features shown in dotted lines depict environmental subject matter only and form no part of the claimed design (disclaimer); thin lines drawn on the surfaces of this article is shading lines identifying a shape of a three-dimensional surface.

**1 Claim, 8 Drawing Sheets**



(56)

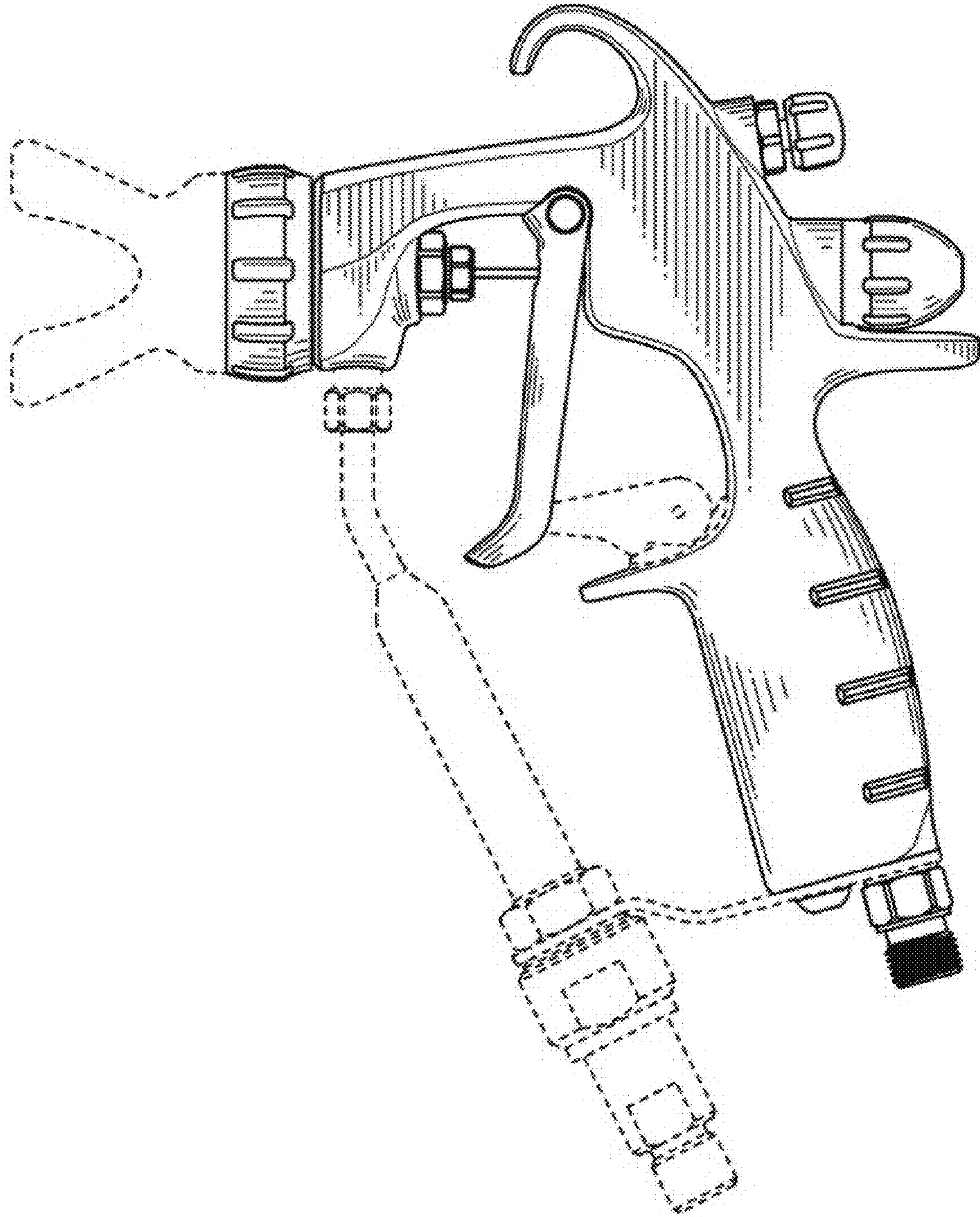
**References Cited**

U.S. PATENT DOCUMENTS

D758,537 S *	6/2016	Gehrung .....	D23/226
D764,628 S *	8/2016	Tullney .....	D23/226
D768,262 S *	10/2016	Kaneko .....	D23/213
D770,593 S *	11/2016	Gehrung .....	D23/226
D778,405 S *	2/2017	Wang .....	D23/226
D780,892 S *	3/2017	Carlson .....	D23/226
D783,122 S *	4/2017	Chen .....	D23/226
D792,557 S *	7/2017	Wang .....	D23/226
D794,755 S *	8/2017	Wang .....	D23/226
D794,756 S *	8/2017	Wang .....	D23/226

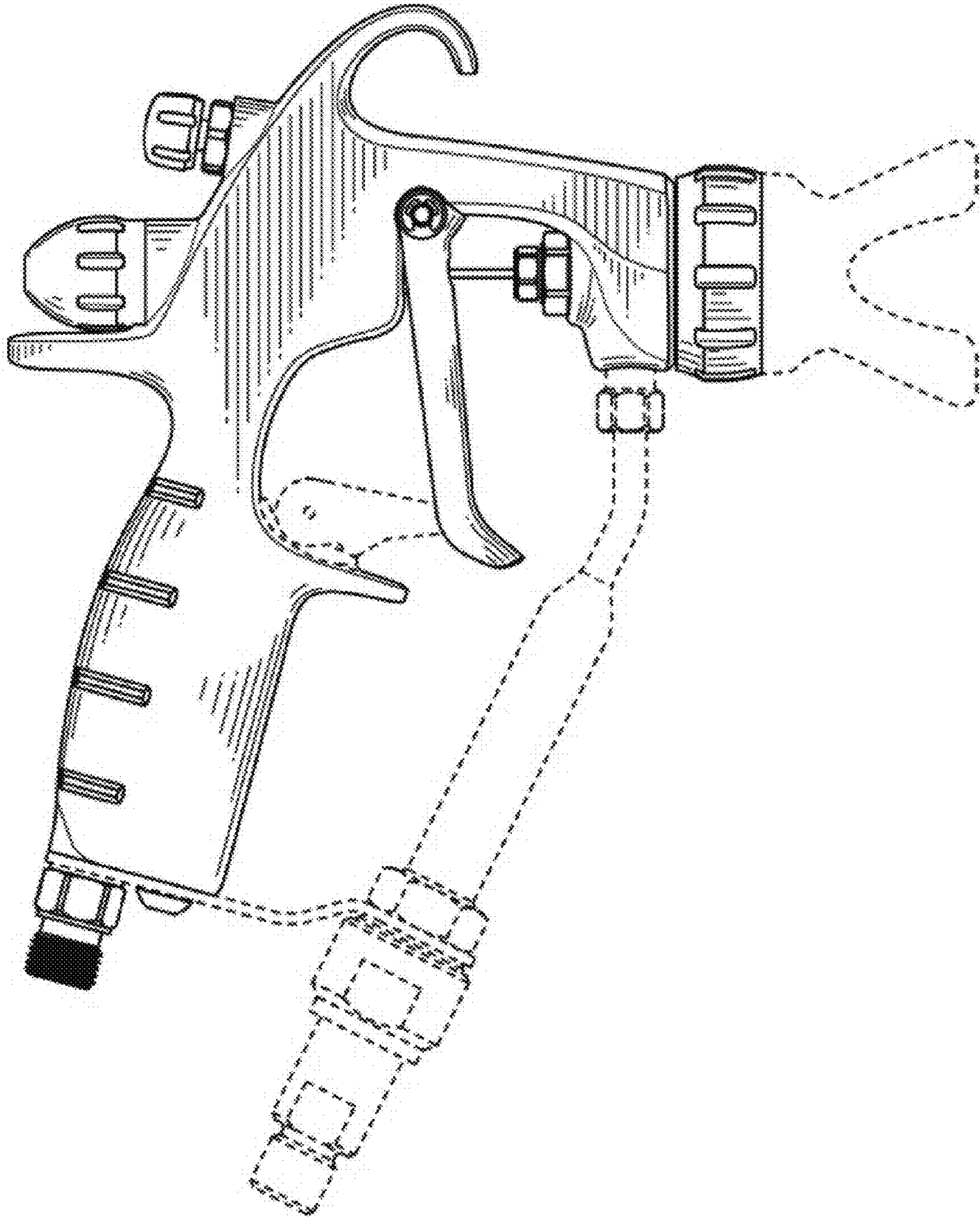
\* cited by examiner

1.1

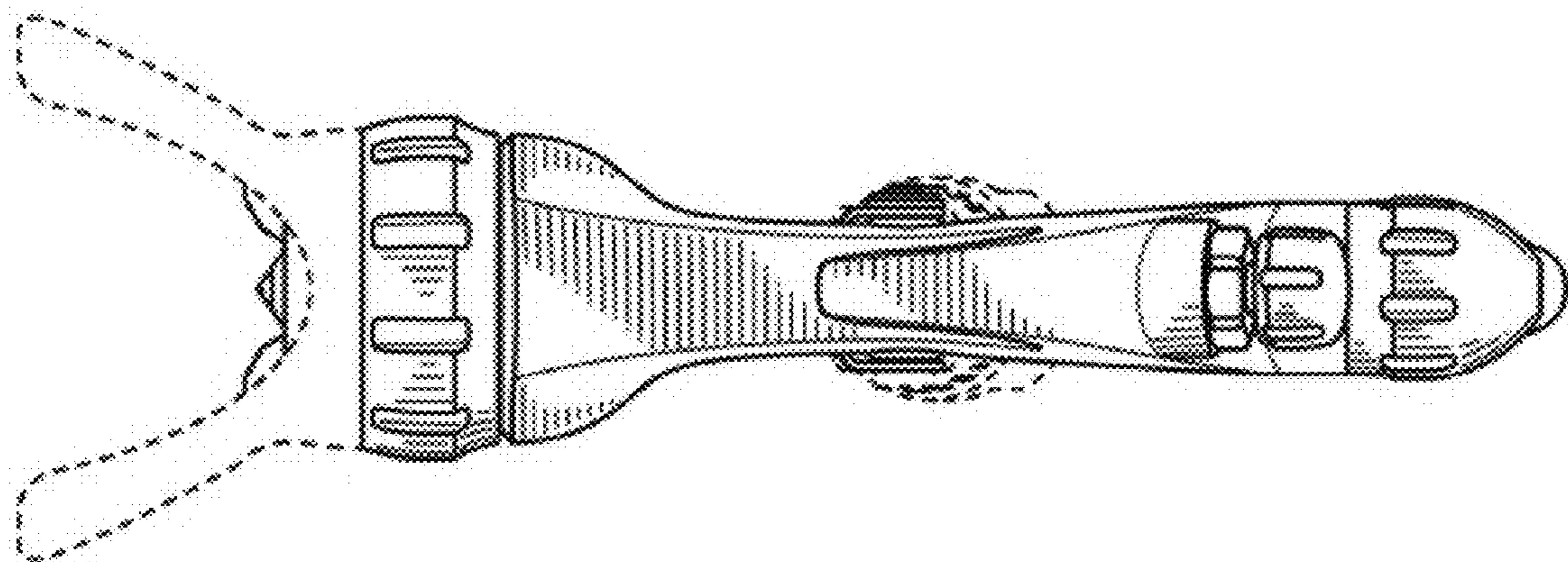




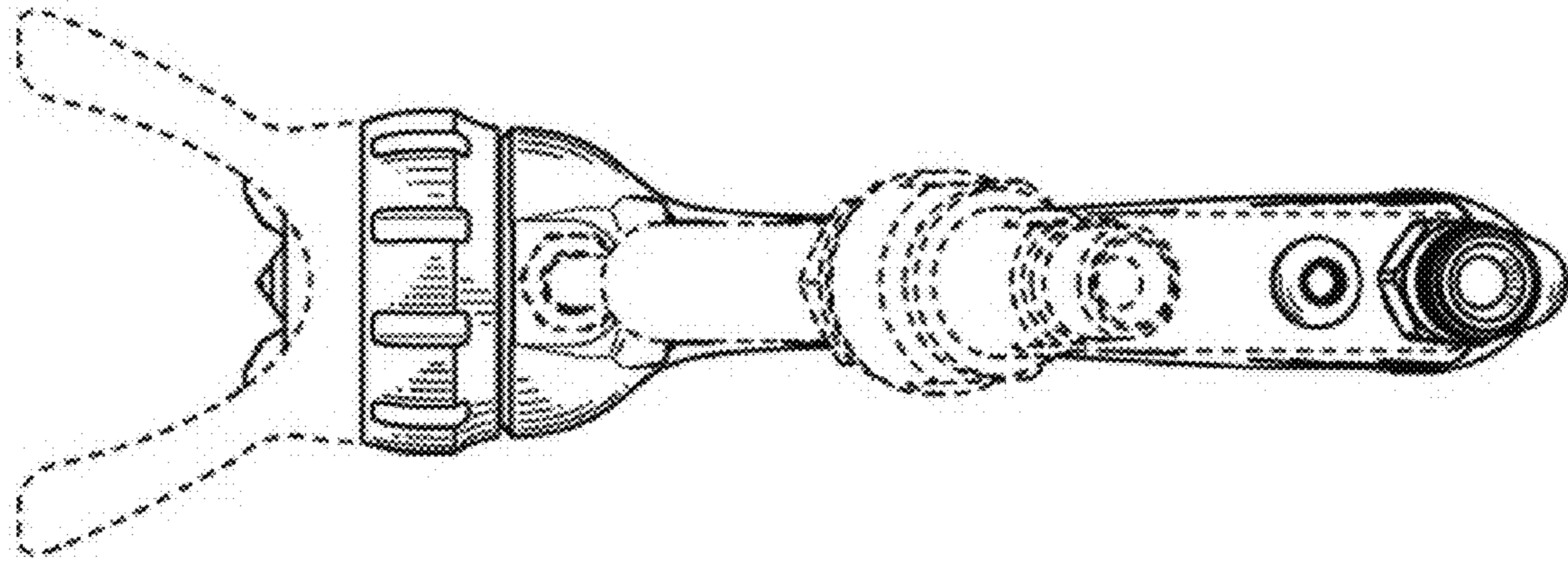
1.2



1.3

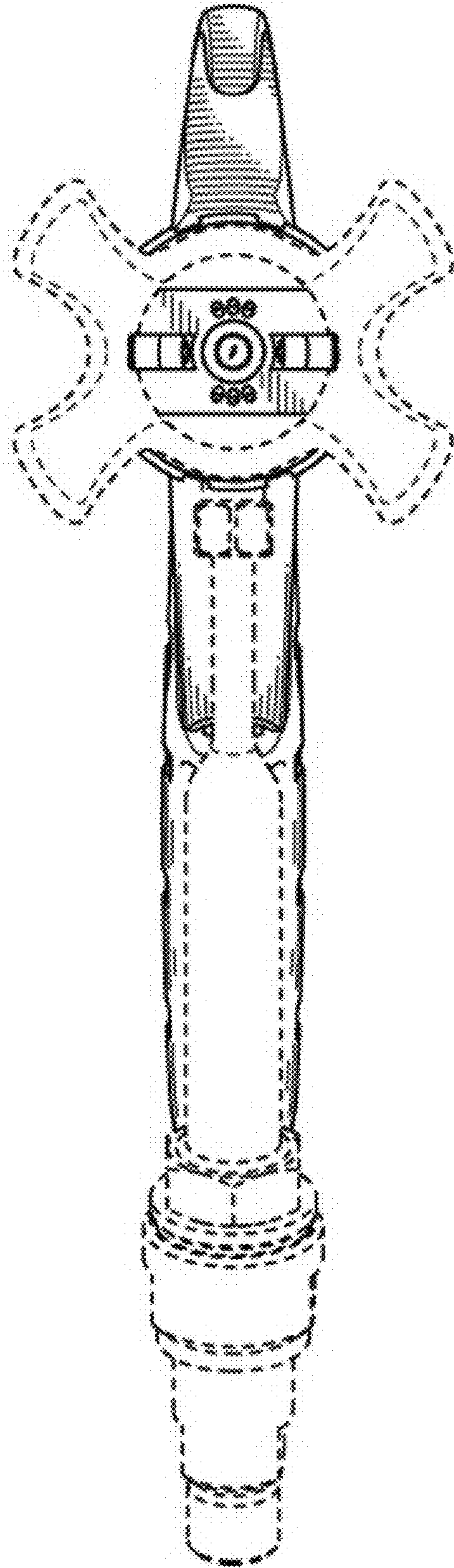


1.4

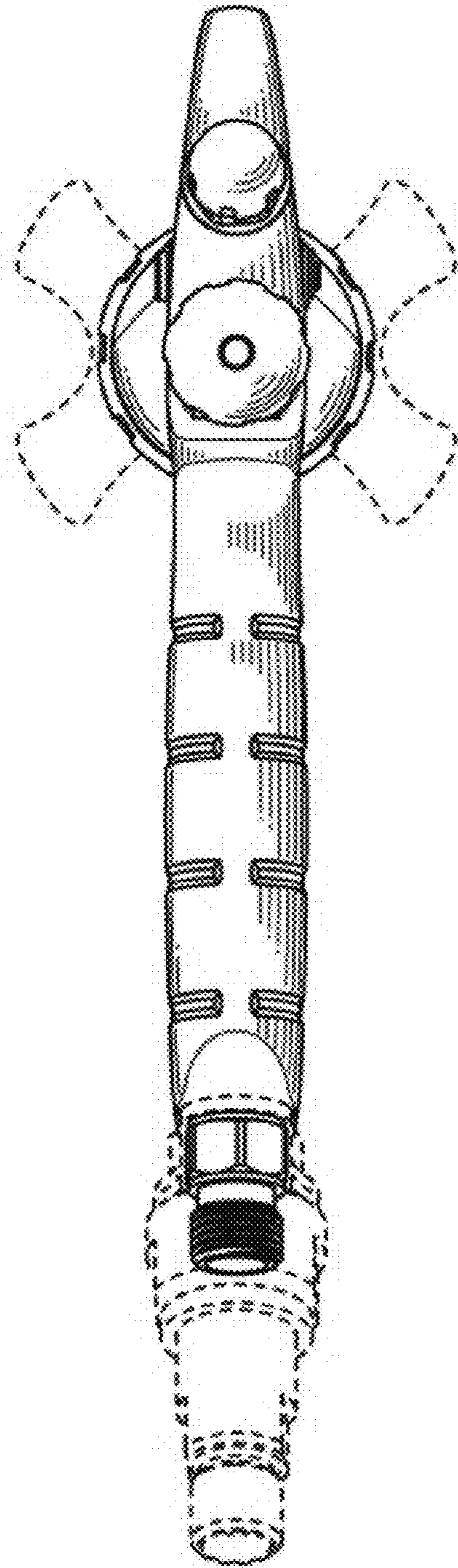




1.5

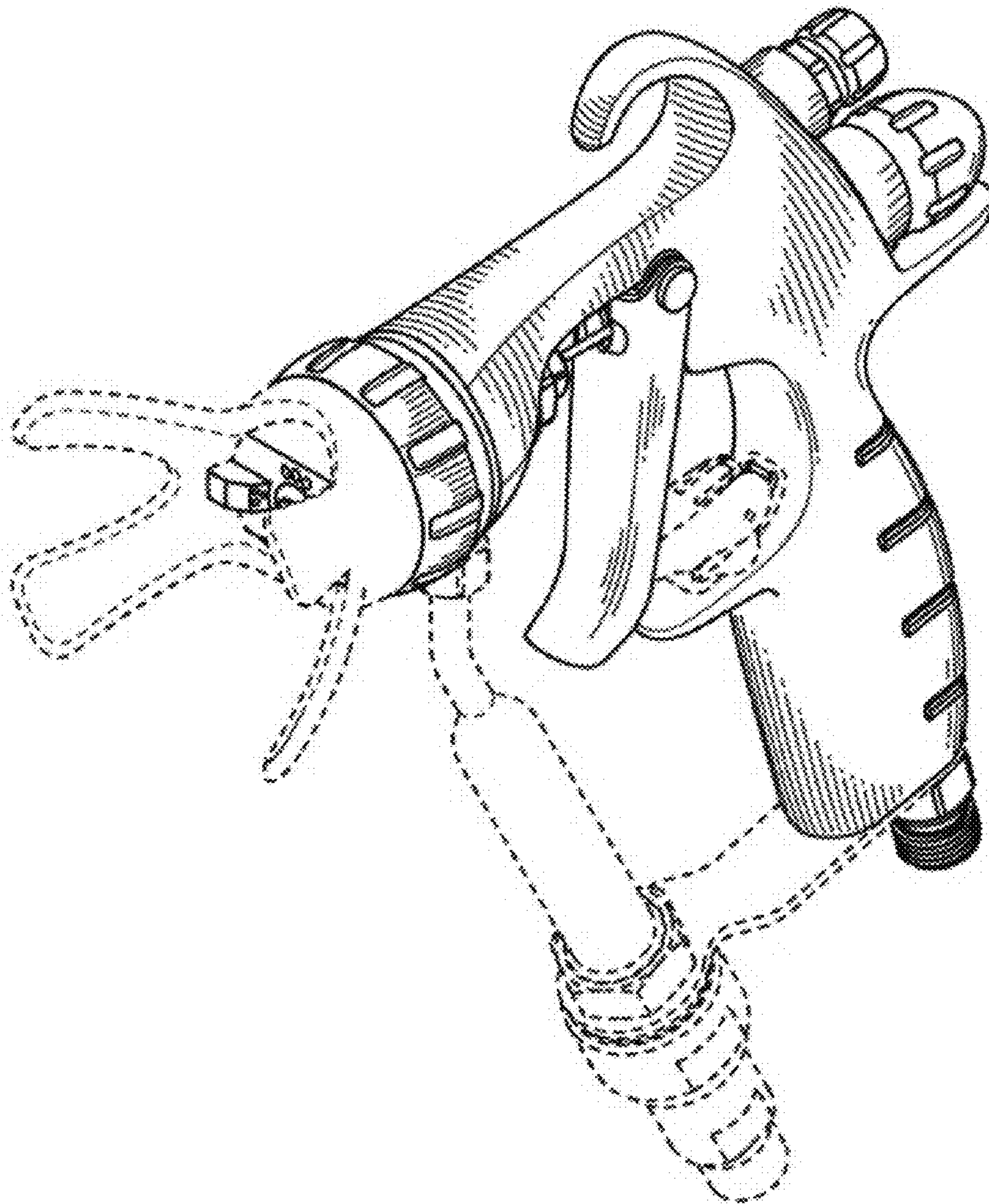


1.6





1.7



1.8

