



US00D803350S

(12) **United States Design Patent**  
**Tian**

(10) **Patent No.:** **US D803,350 S**

(45) **Date of Patent:** **\*\* Nov. 21, 2017**

(54) **SHOWER HEAD**

(71) Applicant: **Xiamen Bright Showers Co., Ltd.**,  
Xiamen (CN)

(72) Inventor: **Chong Tian**, Xiamen (CN)

(73) Assignee: **XIAMEN BRIGHT SHOWERS CO., LTD.**, Xiamen, Fujian (CN)

(\*\*) Term: **15 Years**

(21) Appl. No.: **29/586,280**

(22) Filed: **Dec. 1, 2016**

(51) **LOC (10) Cl.** ..... **23-01**

(52) **U.S. Cl.**  
USPC ..... **D23/213; D23/228**

(58) **Field of Classification Search**  
USPC ..... D23/213, 223, 226, 228, 229, 230, 304,  
D23/532; 239/436, 447, 587.1  
CPC ..... B05B 15/066; B05B 1/18; B05B 1/00;  
B05B 15/061; B05B 9/01; A47K 3/28;  
E03C 1/06; E03C 1/046  
See application file for complete search history.

(56) **References Cited**

**U.S. PATENT DOCUMENTS**

D498,514 S \* 11/2004 Haug ..... D23/223  
D508,728 S \* 8/2005 Kobi ..... D23/213

D511,809 S \* 11/2005 Haug ..... D23/223  
D528,631 S \* 9/2006 Gillette ..... D23/223  
D614,732 S \* 4/2010 Deng ..... D23/228  
D621,002 S \* 8/2010 Yongyan ..... D23/228  
D705,900 S \* 5/2014 Bailey ..... D23/228  
9,149,817 B2 \* 10/2015 Lev ..... B05B 1/185  
9,393,578 B2 \* 7/2016 Zhadanov ..... B05B 1/16  
9,410,309 B2 \* 8/2016 Sharratt ..... E03C 1/0408  
9,438,977 B2 \* 9/2016 Wang ..... B05B 1/18

\* cited by examiner

*Primary Examiner* — Robin V Webster

(74) *Attorney, Agent, or Firm* — Leong C. Lei

(57) **CLAIM**

The ornamental design for a shower head, as shown and described.

**DESCRIPTION**

FIG. 1 is a perspective view of shower head showing my present design;  
FIG. 2 is a front view thereof;  
FIG. 3 is a rear view thereof;  
FIG. 4 is a left side view thereof;  
FIG. 5 is a right side view thereof;  
FIG. 6 is a top view thereof; and,  
FIG. 7 is a bottom view thereof.  
The broken line showing in FIGS. 3 and 7 is included for the purpose of illustrating environment and forms no part of the claimed design.

**1 Claim, 6 Drawing Sheets**



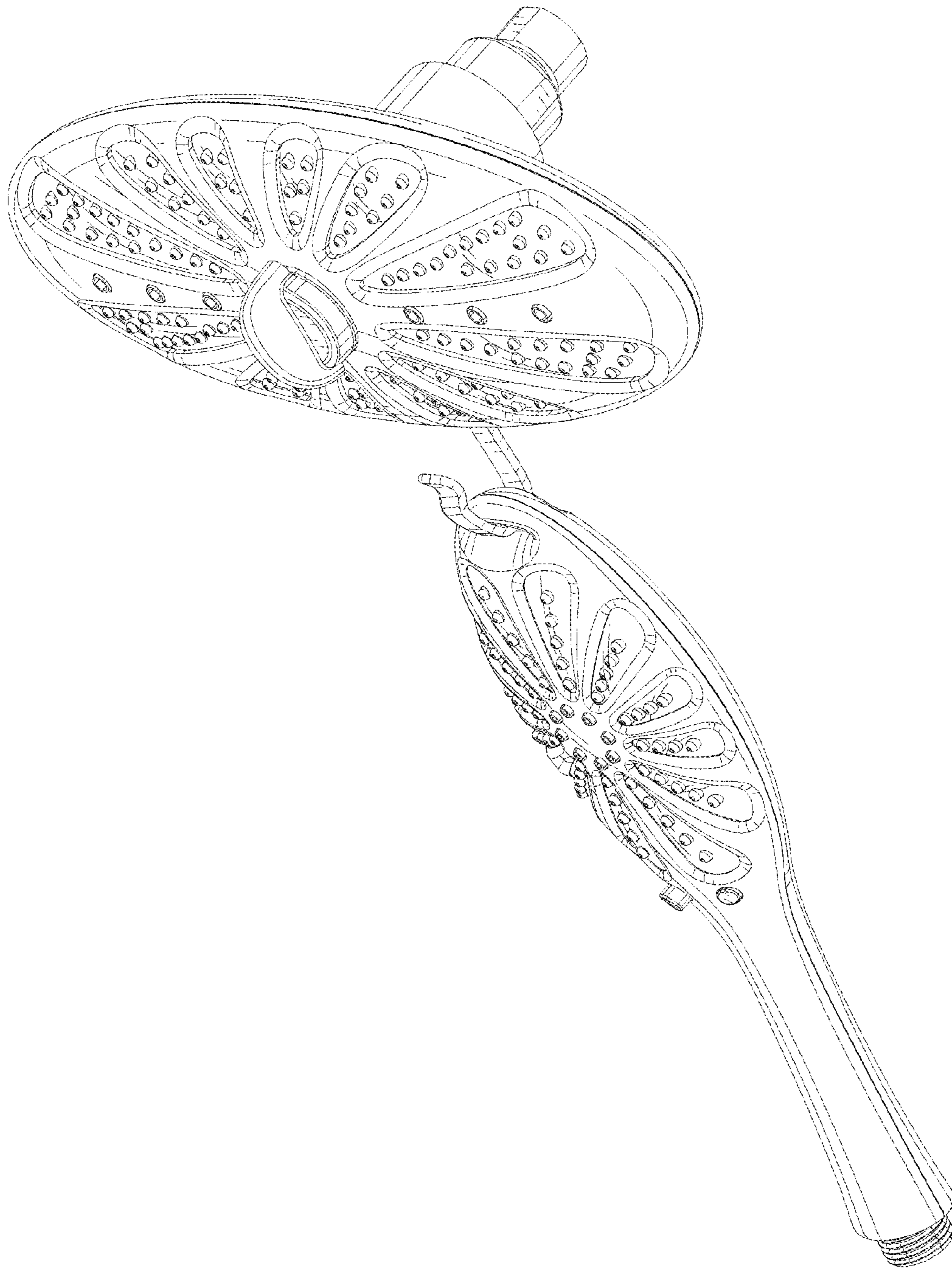


FIG. 1

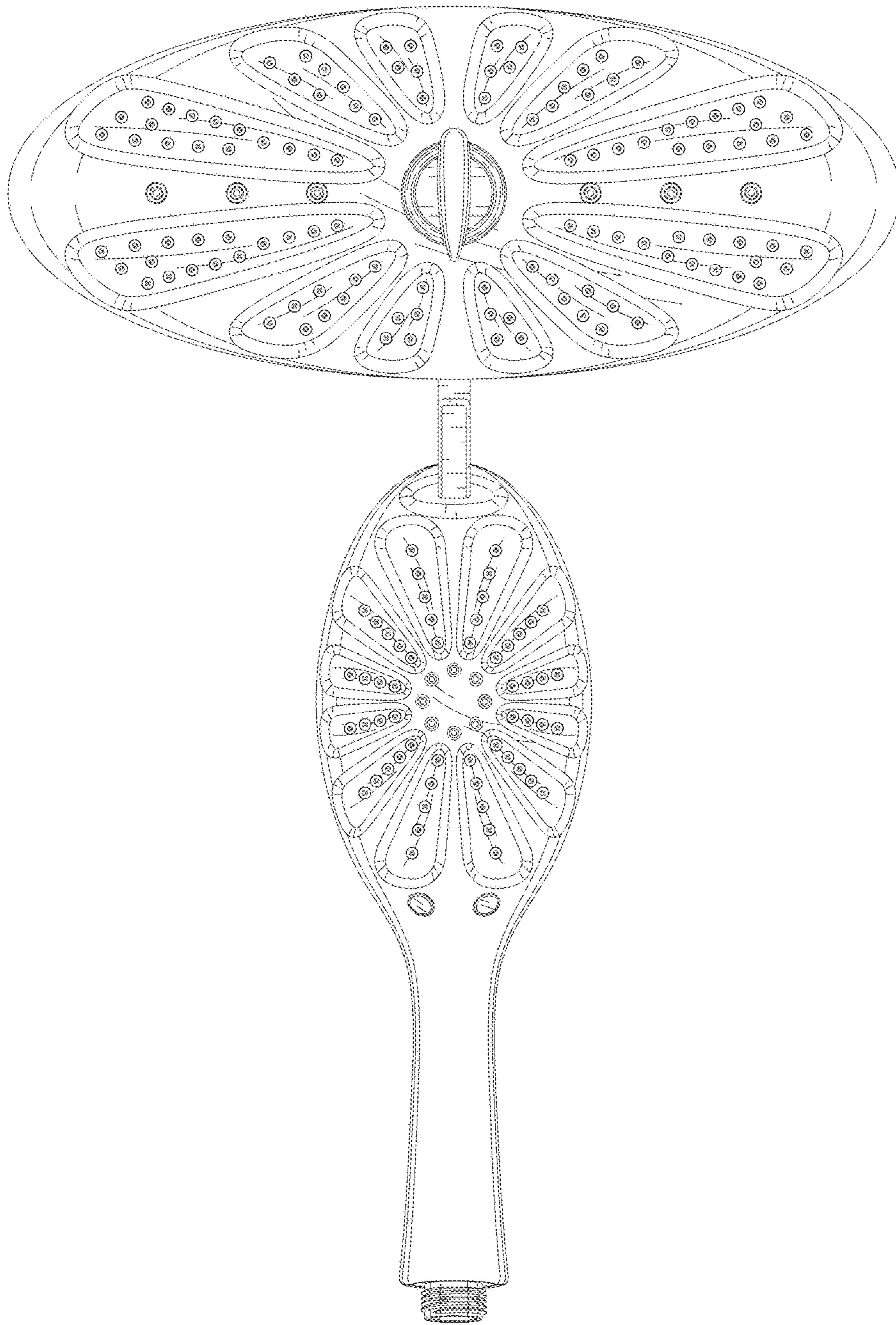


FIG. 2



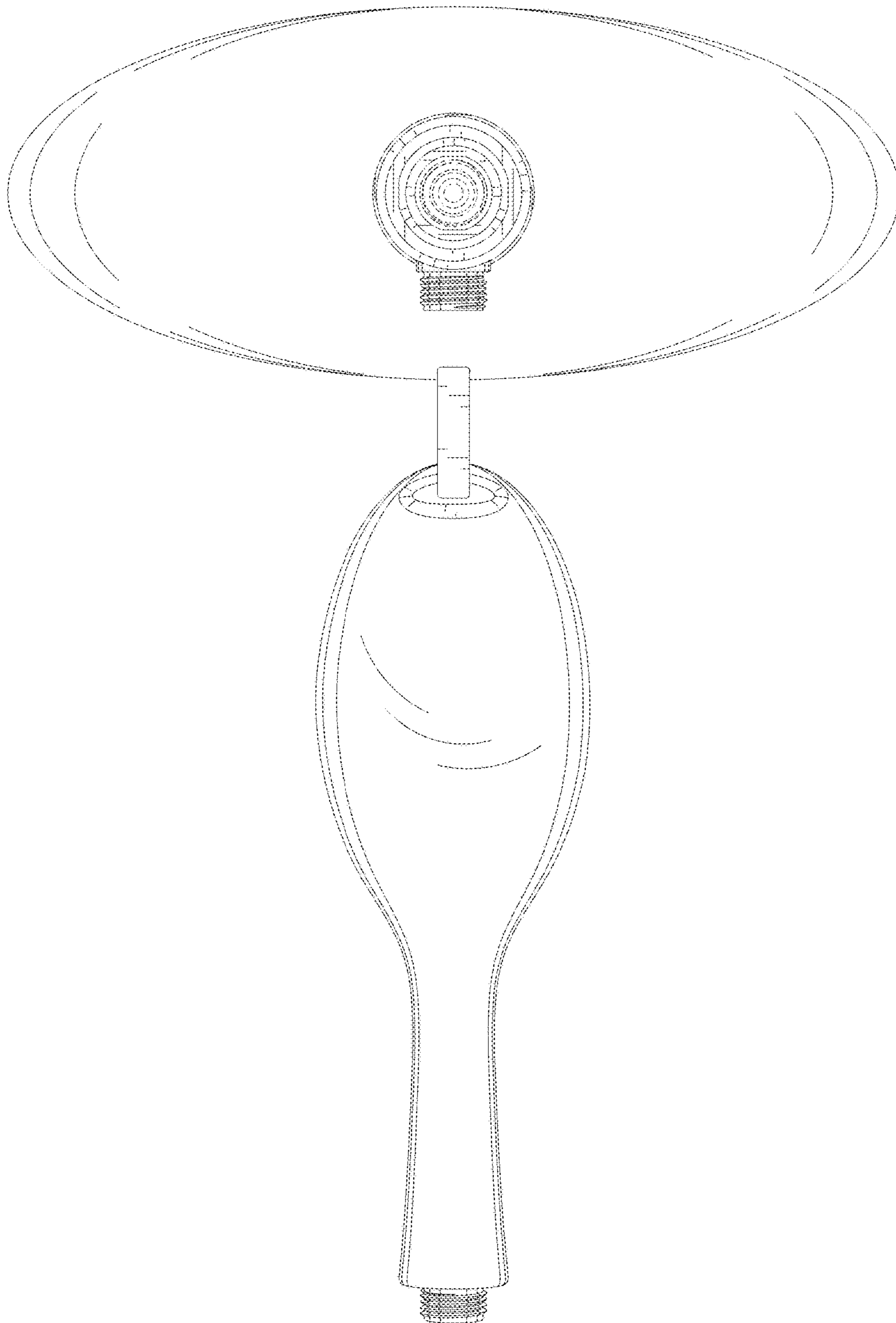


FIG. 3

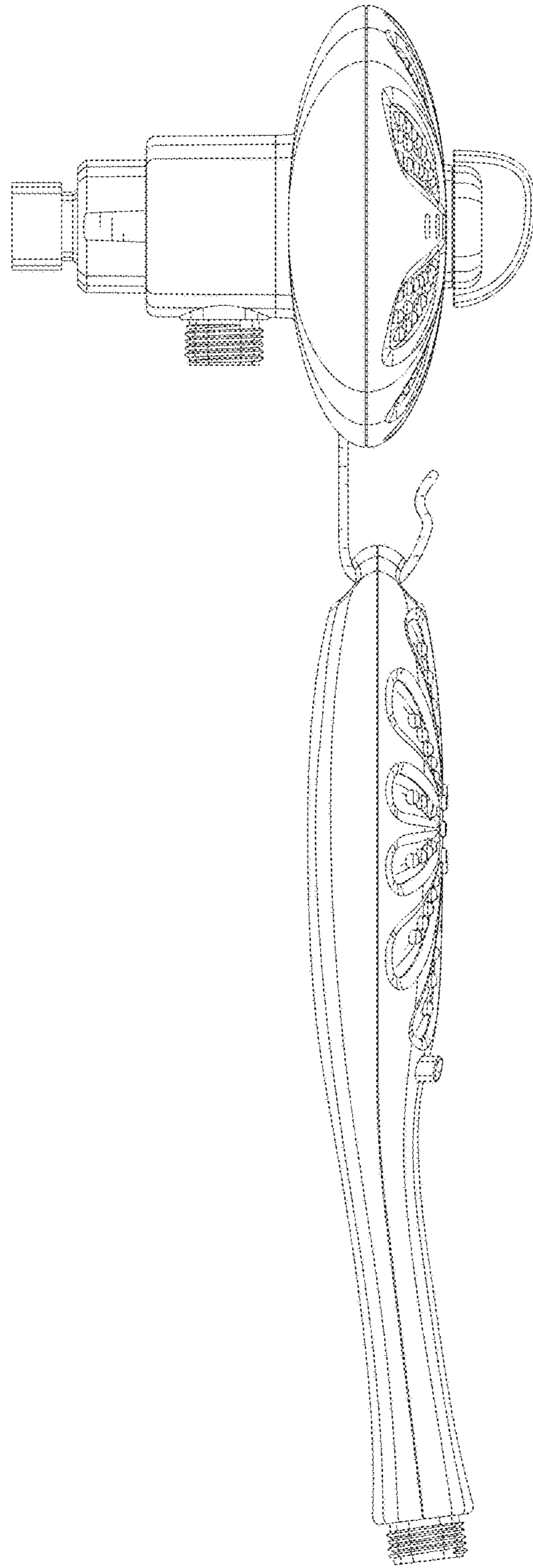


FIG. 4

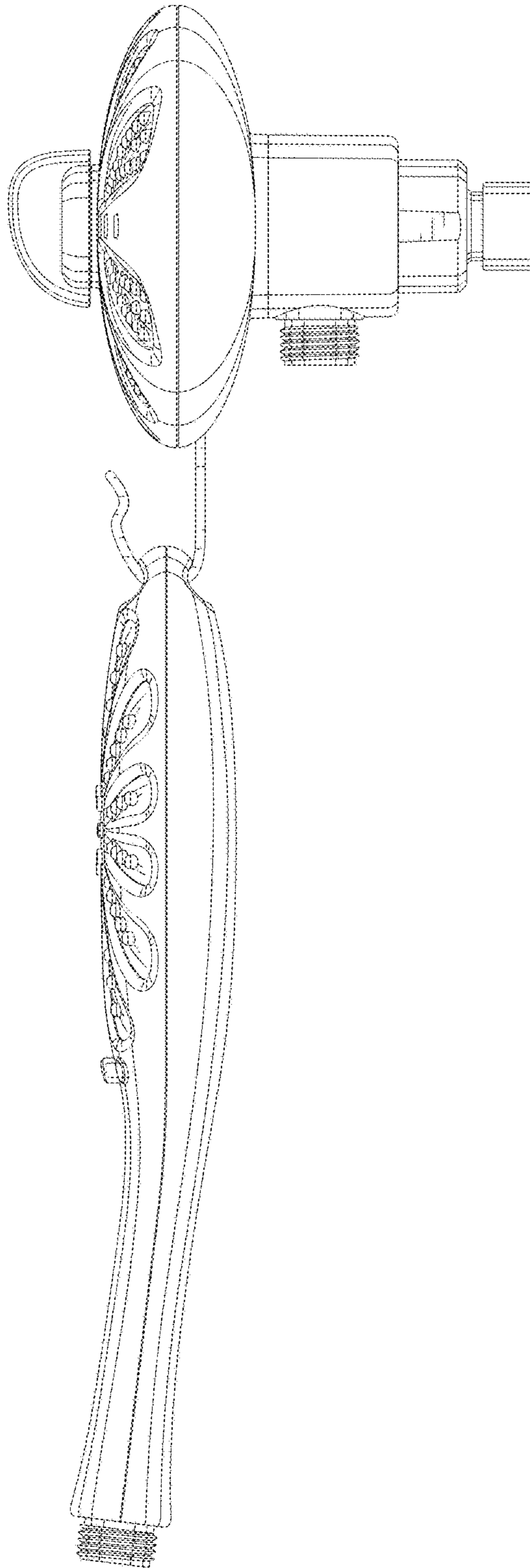


FIG. 5

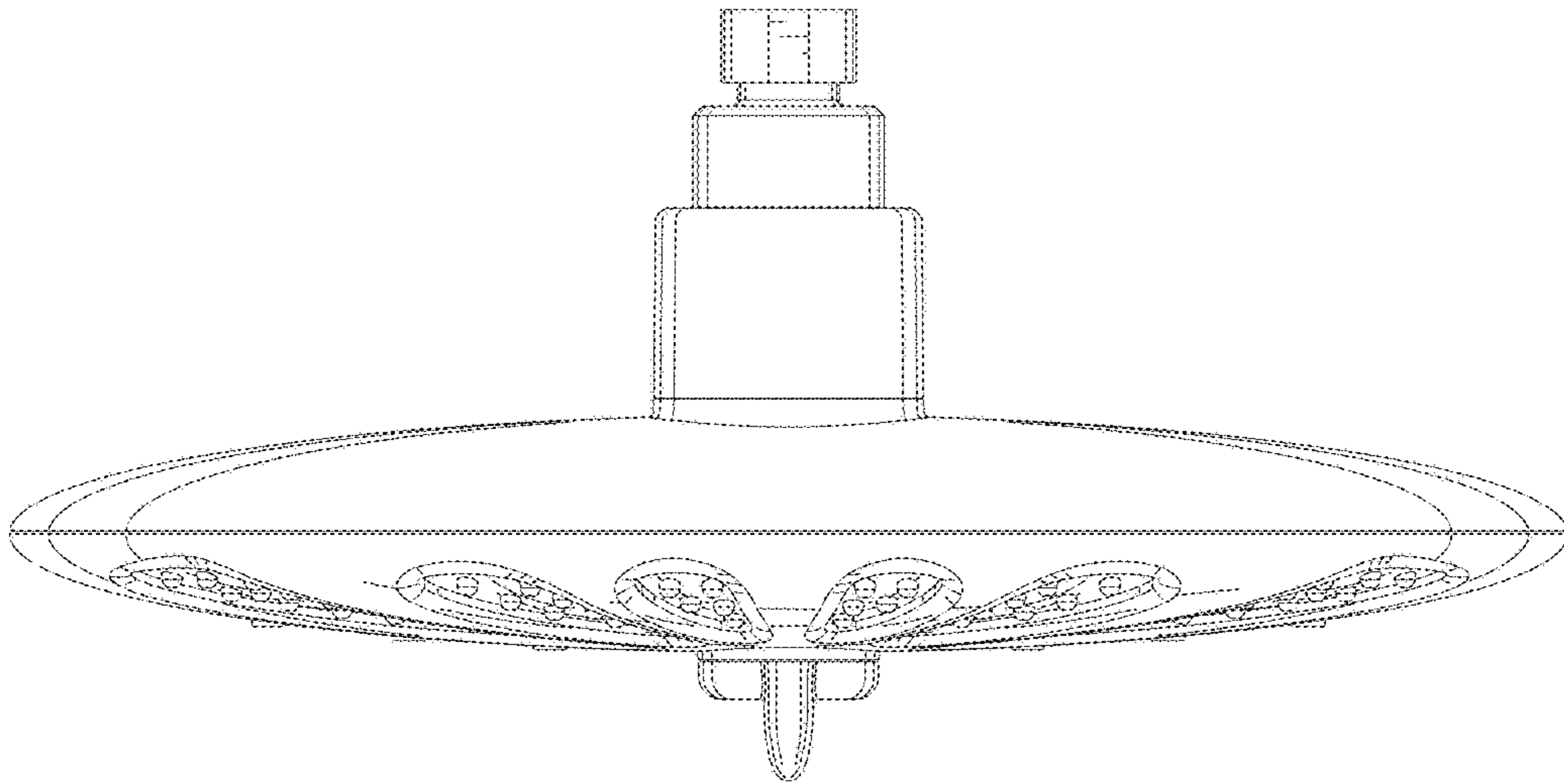


FIG. 6

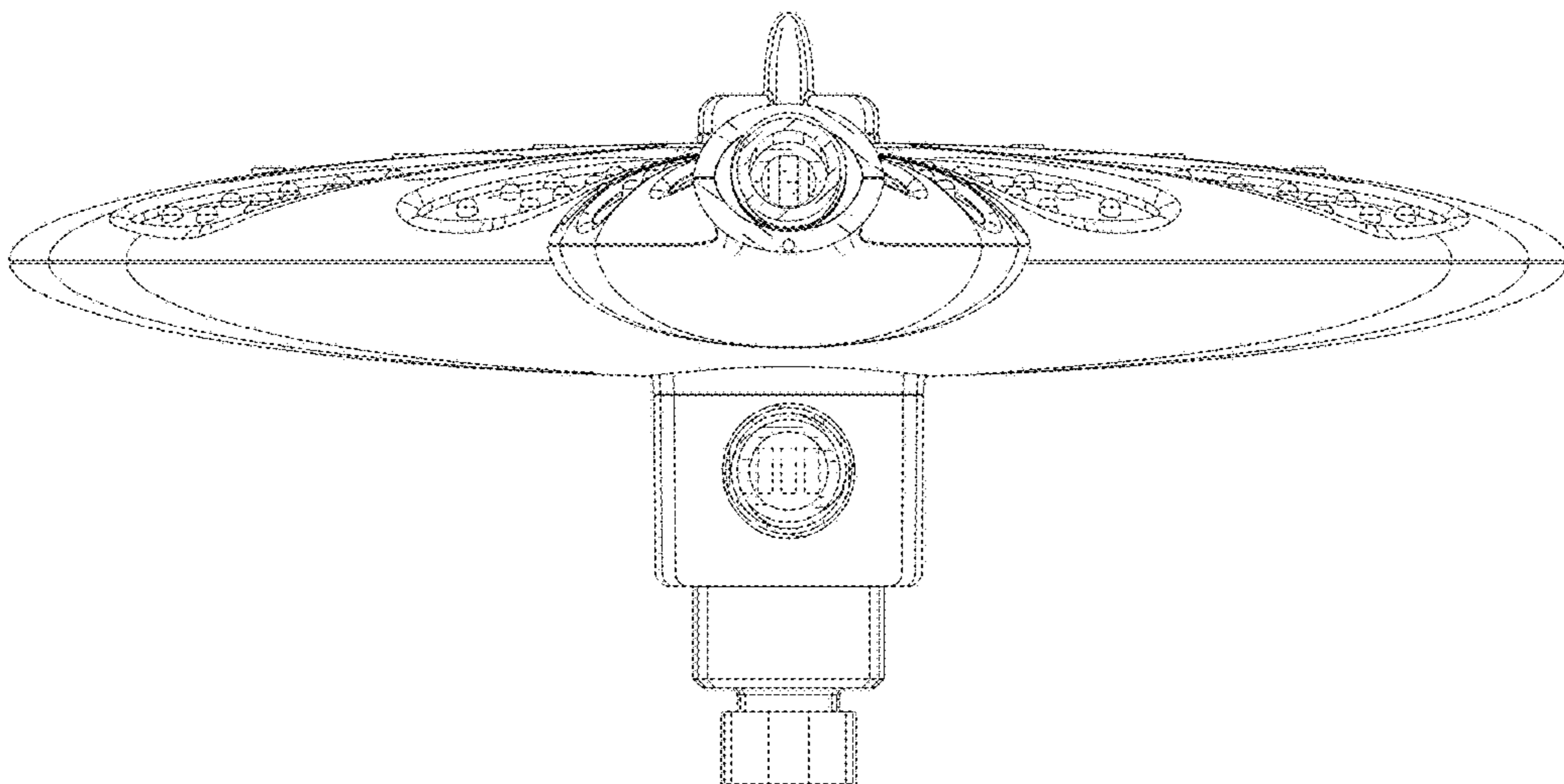


FIG. 7