



US00D803349S

(12) **United States Design Patent** (10) **Patent No.:** **US D803,349 S**
Zou (45) **Date of Patent:** **** Nov. 21, 2017**

- (54) **FILTER UNIT**
- (71) Applicant: **HONG KONG ECOAQUA CO., LIMITED**, Chai Wan (HK)
- (72) Inventor: **Zhibin Zou**, Qingdao (CN)
- (73) Assignee: **Hong Kong Ecoaqua Co., Limited**, Chai Wan (HK)
- (**) Term: **15 Years**
- (21) Appl. No.: **29/581,689**
- (22) Filed: **Oct. 20, 2016**
- (51) **LOC (10) Cl.** **23-01**
- (52) **U.S. Cl.**
USPC **D23/209**
- (58) **Field of Classification Search**
USPC D23/207, 209, 213; 210/238, 410, 416.4, 210/416.3
CPC B01D 35/30; B01D 35/00; B01D 35/153
See application file for complete search history.

D618,761 S *	6/2010	Reid	D23/209
D637,692 S *	5/2011	Riedel	D23/209
D674,463 S *	1/2013	Wilder	D23/209
D685,449 S *	7/2013	Patera	D23/209
D685,450 S *	7/2013	Patera	D23/209
D685,451 S *	7/2013	Patera	D23/209
8,790,511 B2 *	7/2014	Yang	C02F 1/002 210/244
D728,069 S *	4/2015	Moore	D23/209
D752,177 S *	3/2016	Enomoto	D23/207
D773,606 S *	12/2016	Ruprecht	D23/209
D782,000 S *	3/2017	Morris	D23/209
D791,276 S *	7/2017	Sharratt	D23/209
D792,553 S *	7/2017	Hierro	D23/209
D794,751 S *	8/2017	Zou	D23/209
2007/0095744 A1 *	5/2007	Bagci	B01D 29/21 210/435

(Continued)

Primary Examiner — Robin V Webster
Assistant Examiner — James C Thorn, Sr.
(74) *Attorney, Agent, or Firm* — Schmeiser, Olsen & Watts LLP

(57) **CLAIM**

The ornamental design for a filter unit, as shown and described.

DESCRIPTION

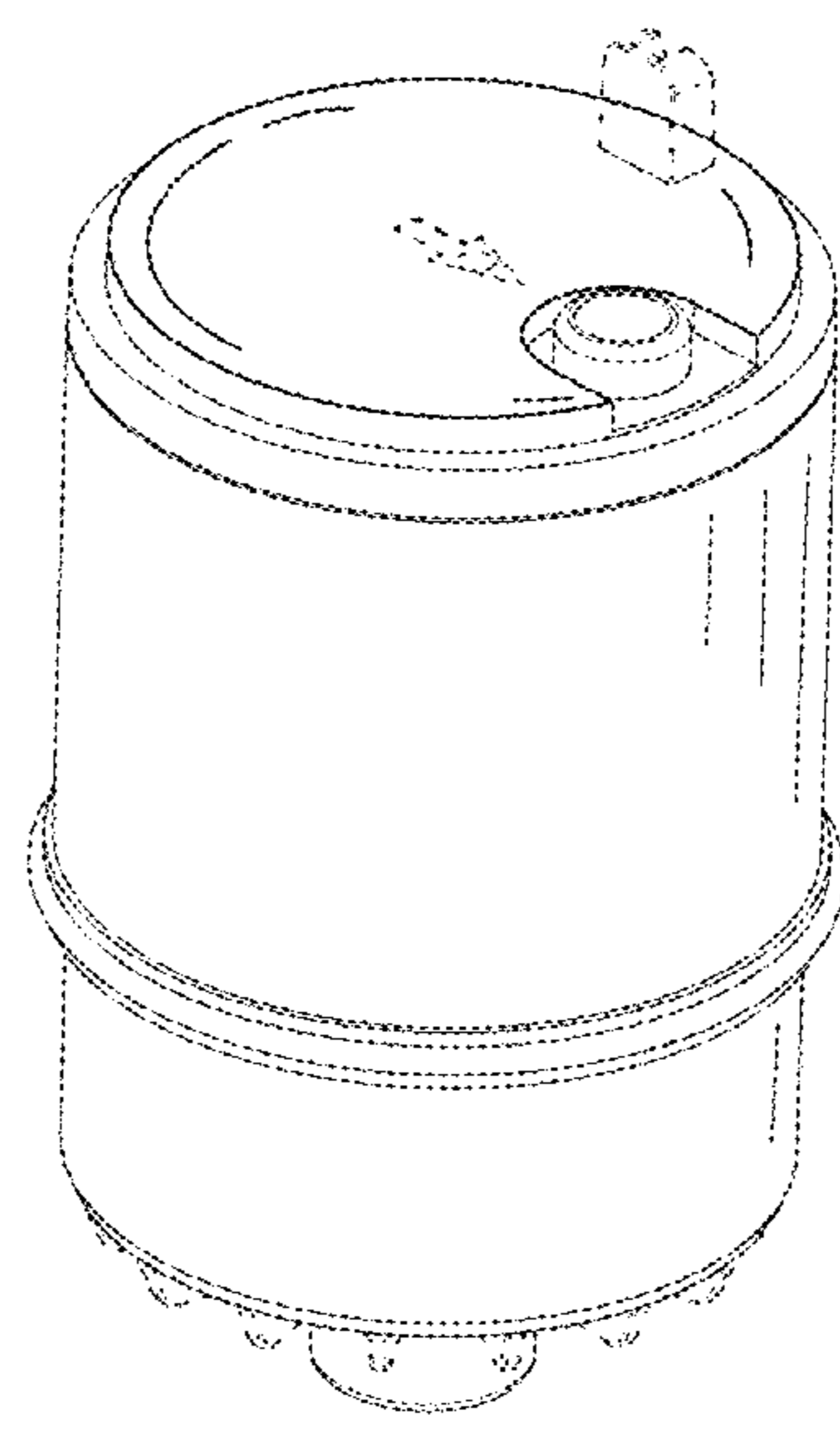
FIG. 1 is a Front elevational view of a filter unit showing my new design;
FIG. 2 is a Rear elevational view thereof;
FIG. 3 is a Left side view thereof;
FIG. 4 is a Right side view thereof;
FIG. 5 is a Top plan view thereof;
FIG. 6 is a Bottom plan view thereof;
FIG. 7 is a Top perspective view thereof; and,
FIG. 8 is a Bottom perspective view thereof;
The broken lines in the drawings depict portions of the filter unit that form no part of the design.

1 Claim, 8 Drawing Sheets

(56) **References Cited**

U.S. PATENT DOCUMENTS

D229,614 S *	12/1973	King	D23/207
D296,463 S *	6/1988	Padilla	D23/207
D320,640 S *	10/1991	Goodwin	D23/209
D338,705 S *	8/1993	Spokoiny	D23/209
5,328,606 A *	7/1994	Warren	B01D 27/08 210/238
D374,911 S *	10/1996	Kahana	D23/209
D380,535 S *	7/1997	Joergensen	D23/209
D388,154 S *	12/1997	Pesa	D23/209
D412,963 S *	8/1999	Nelsen	D23/207
D420,093 S *	2/2000	Hayes	D23/209
D441,422 S *	5/2001	Jensen	D23/209
6,328,883 B1 *	12/2001	Jensen	B01D 27/00 123/196 A
D479,300 S *	9/2003	Janik	D23/209
D484,568 S *	12/2003	Janik	D23/209



(56)

References Cited

U.S. PATENT DOCUMENTS

2016/0031719 A1* 2/2016 Yang C02F 1/002
210/416.3
2017/0100685 A1* 4/2017 Ren B01D 35/005

* cited by examiner

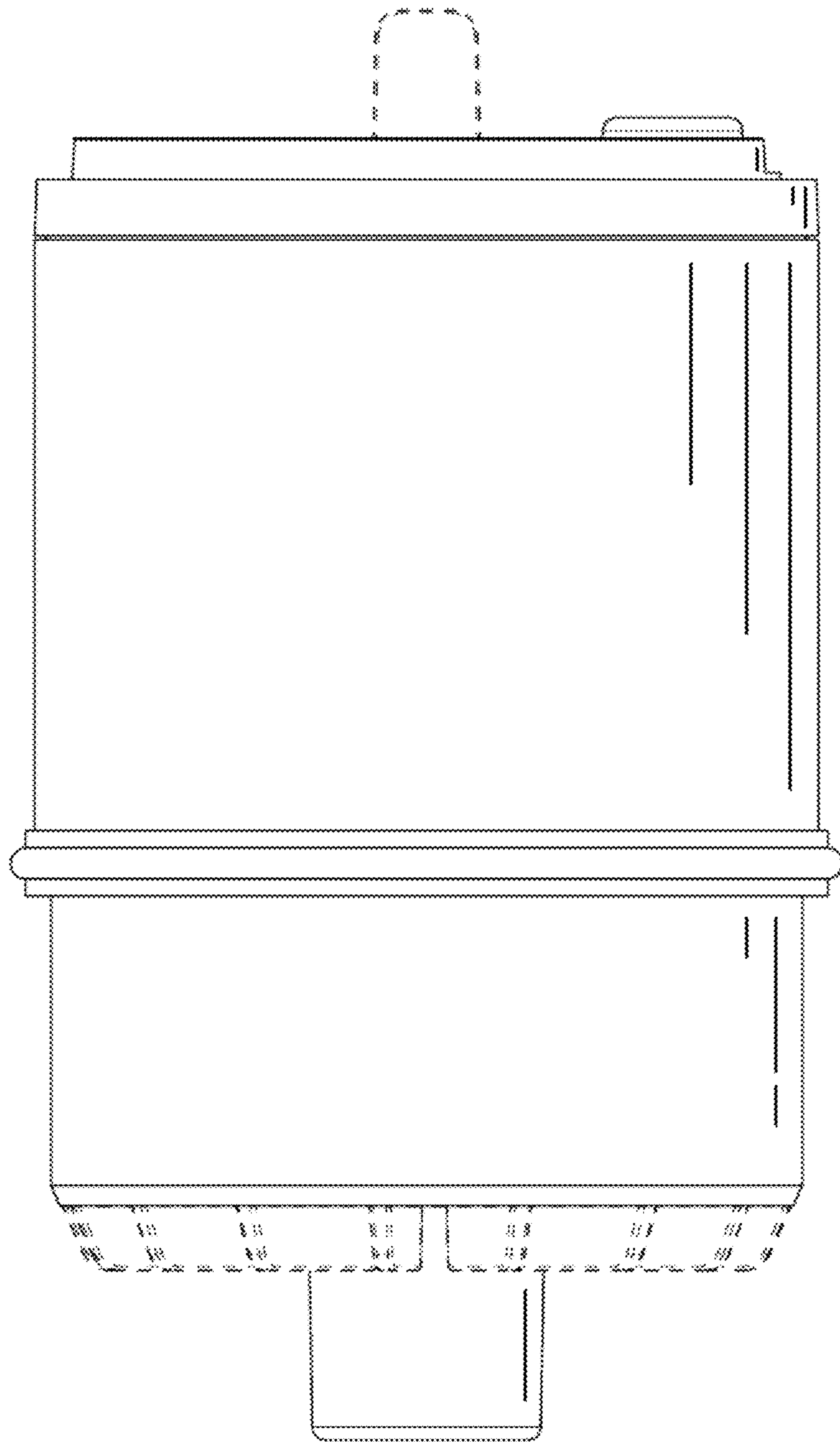


Figure 1

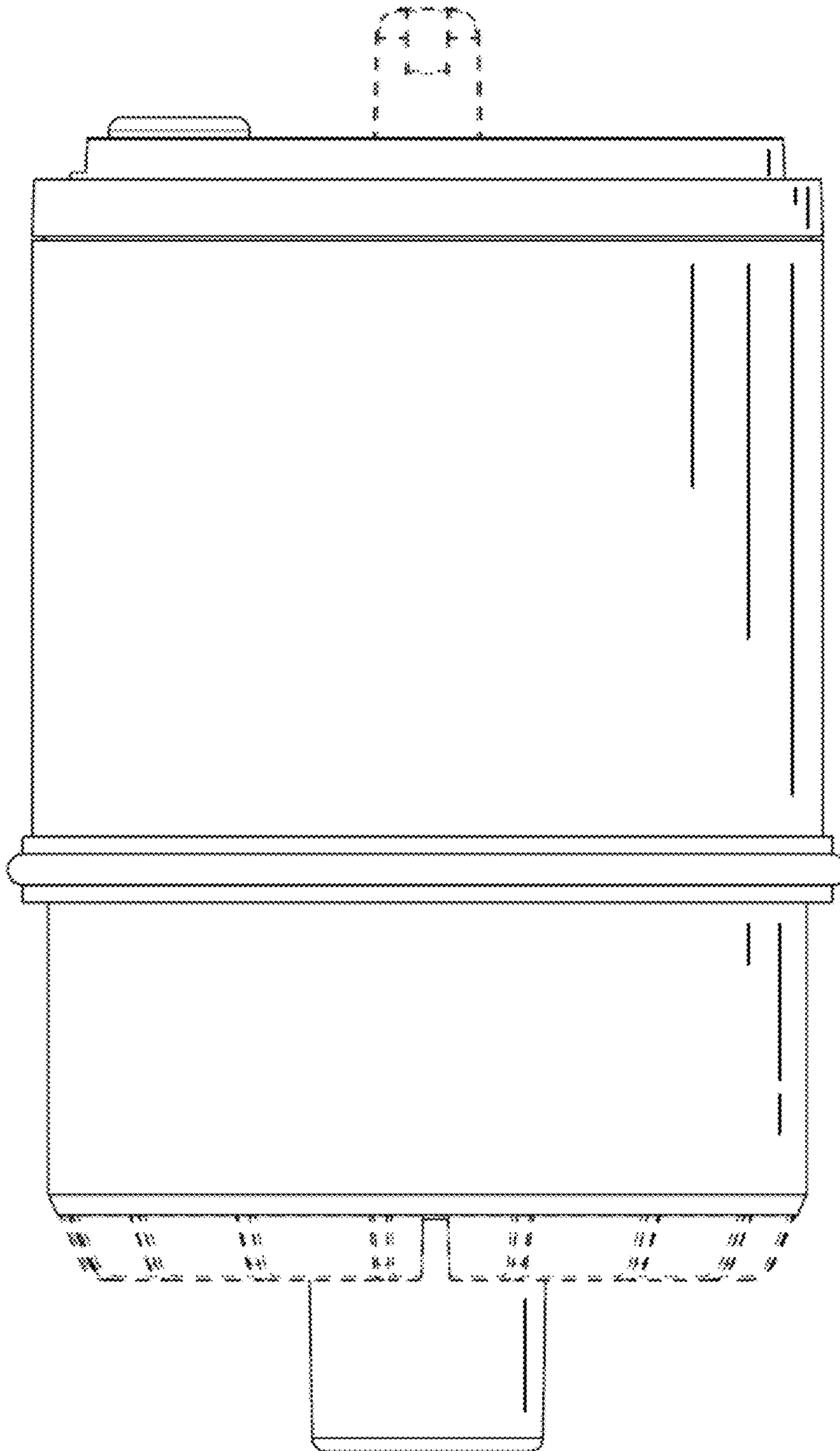


Figure 2

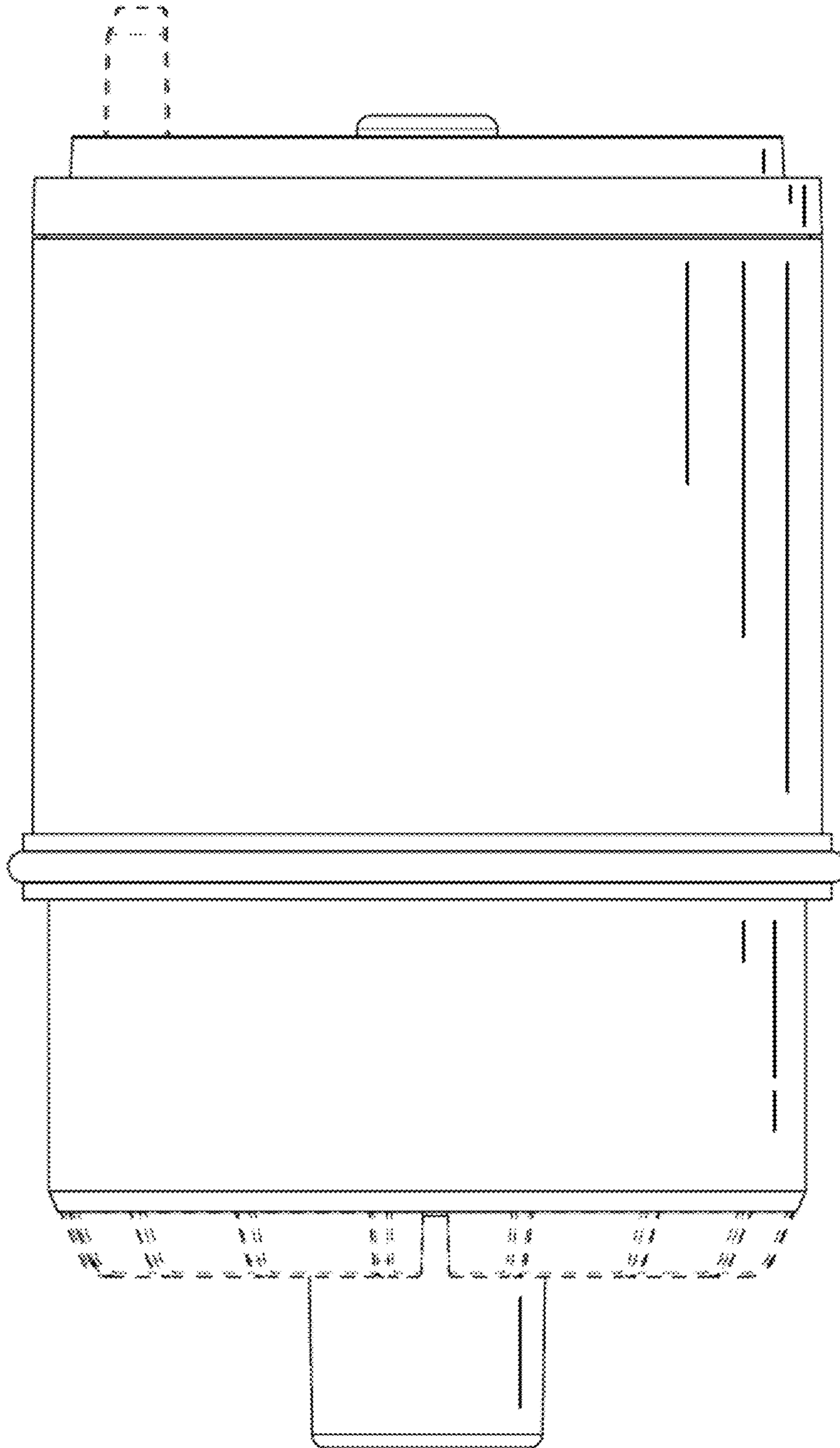


Figure 3

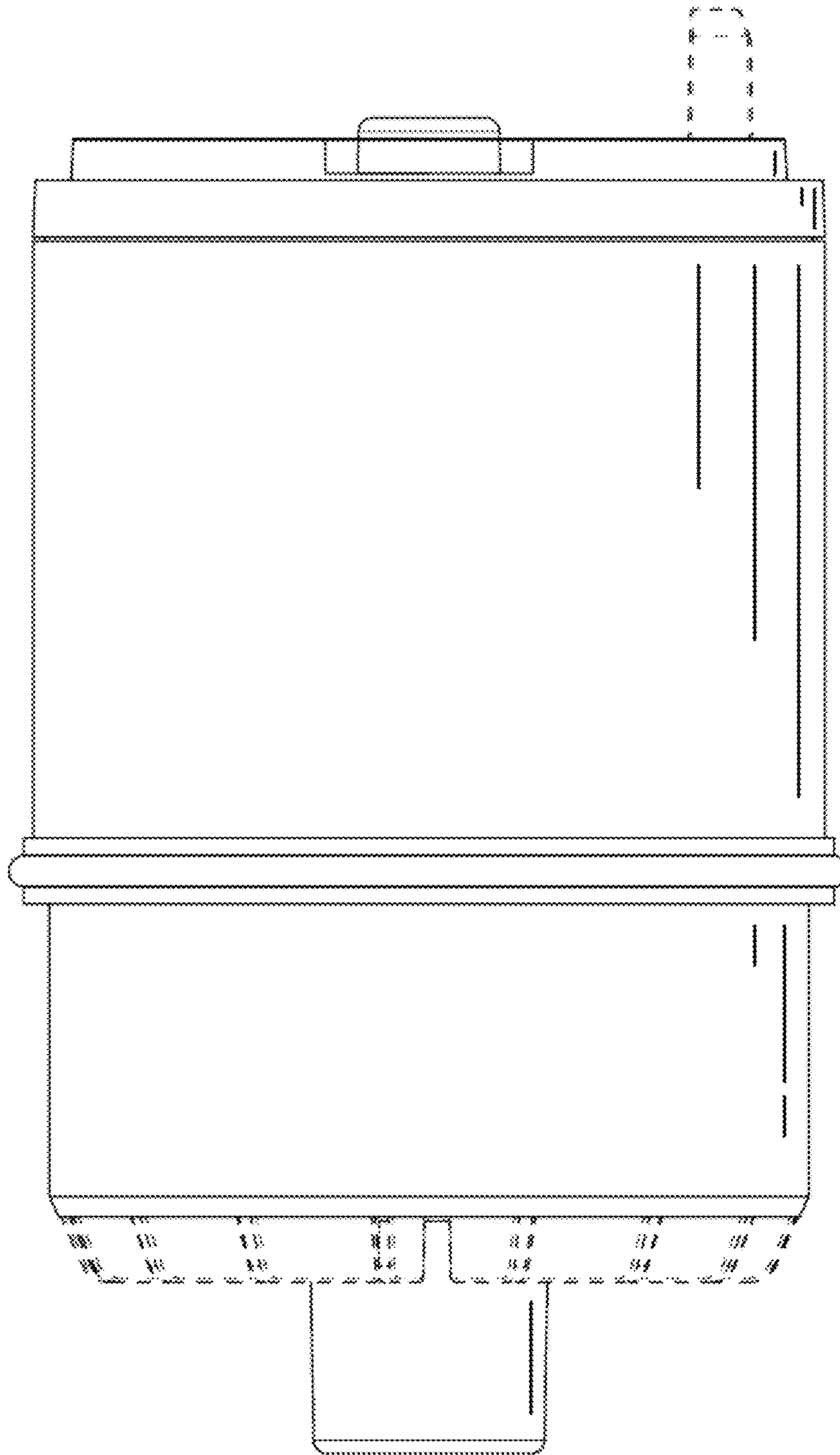


Figure 4

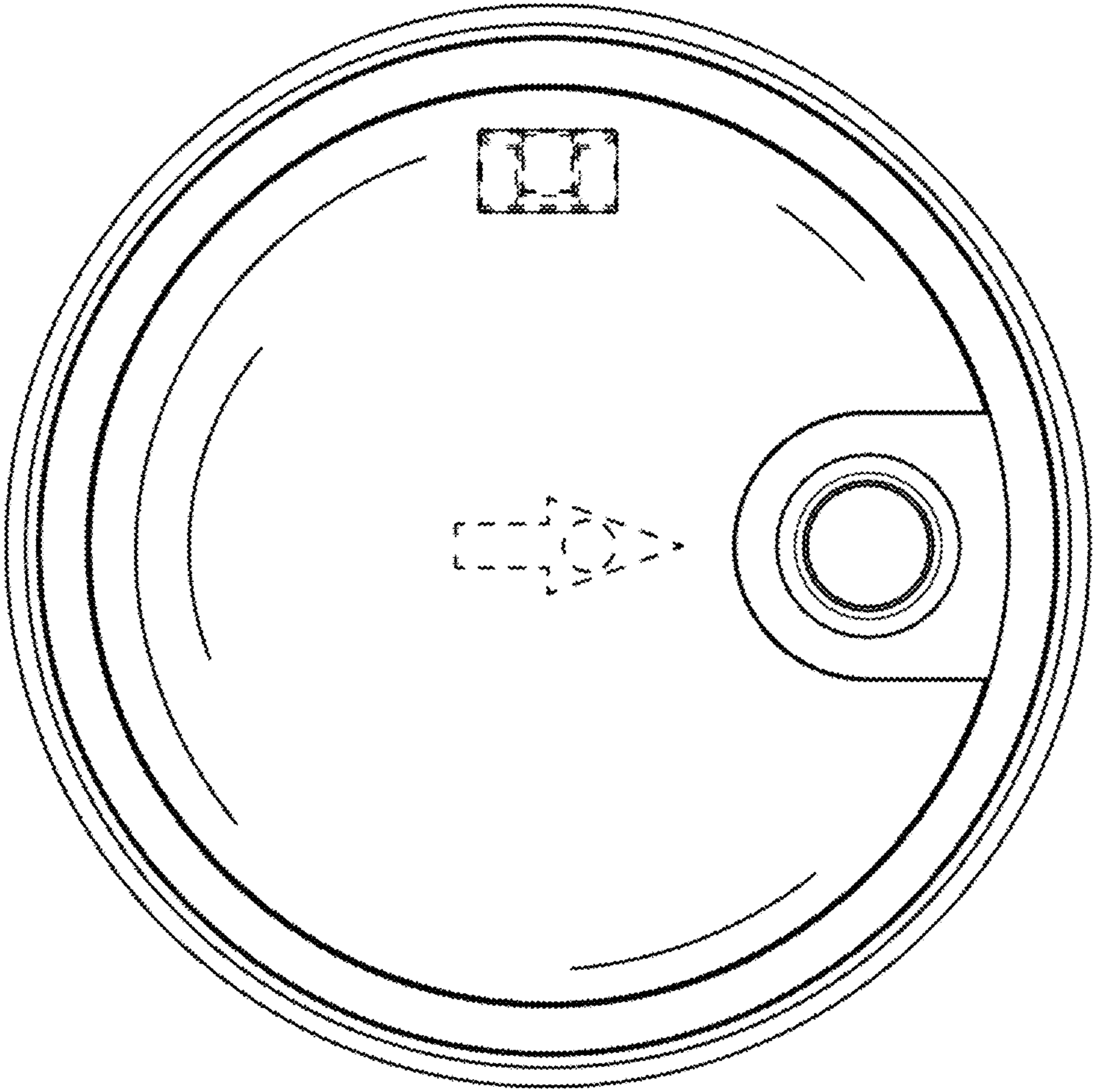


Figure 5

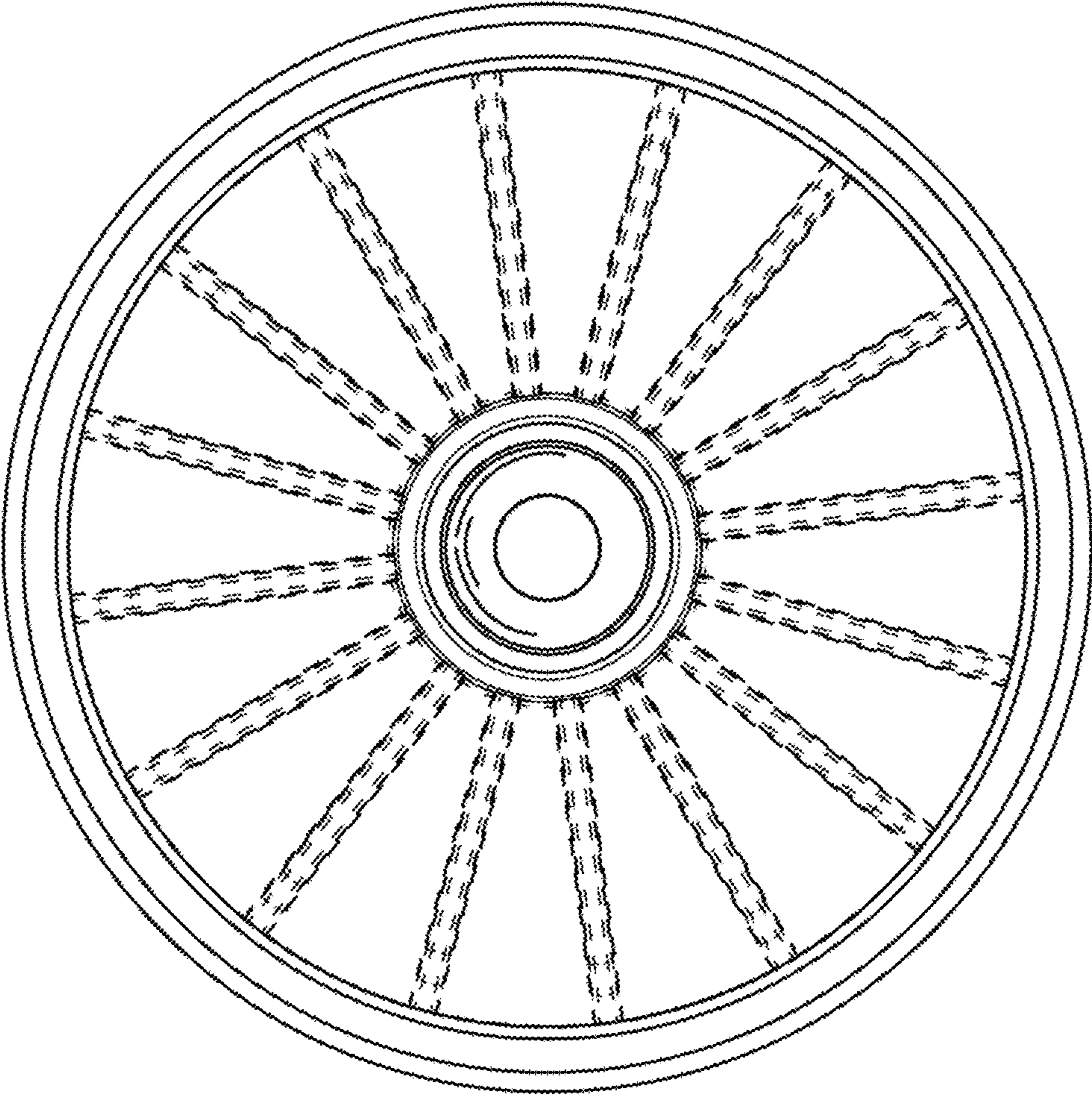


Figure 6

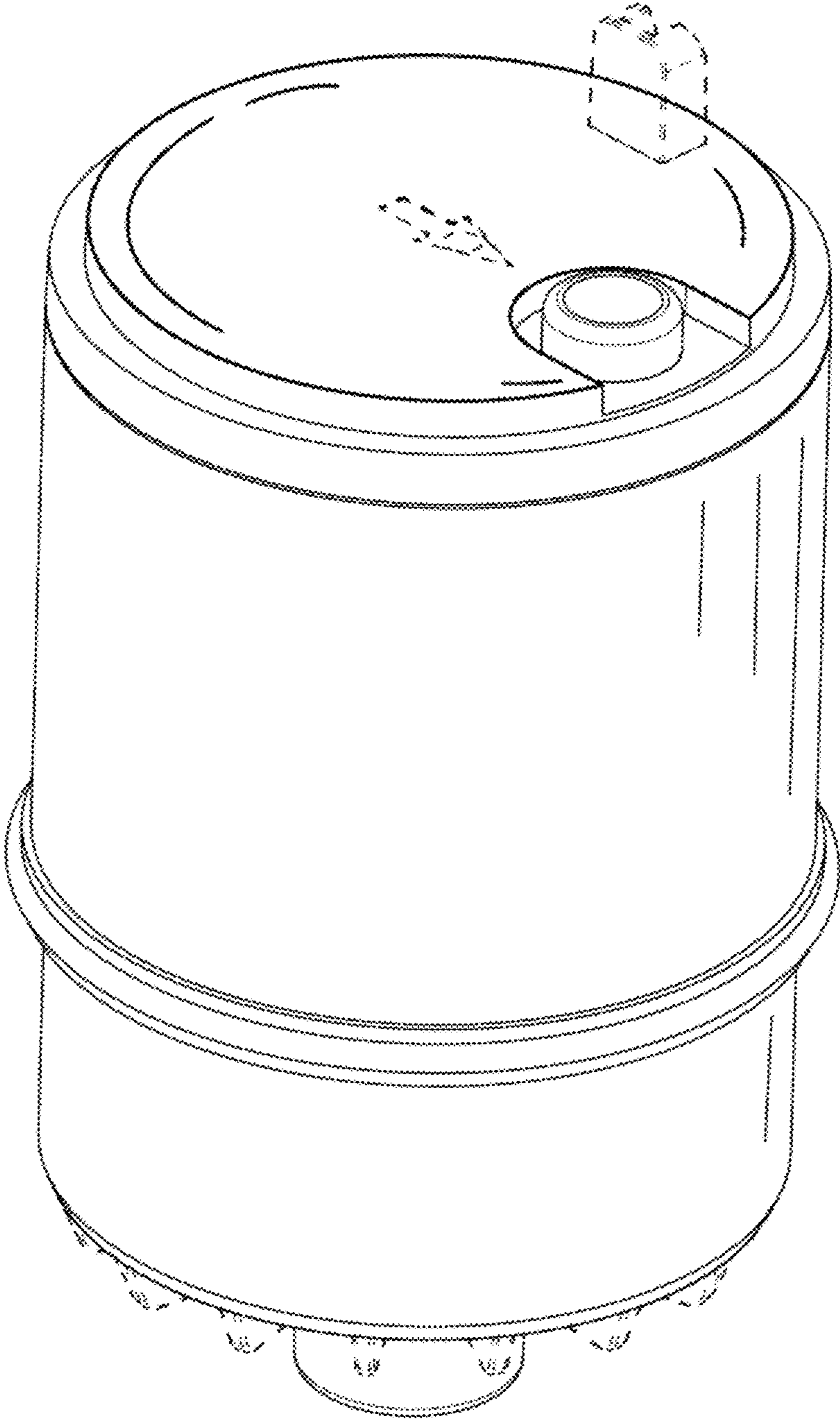


Figure 7

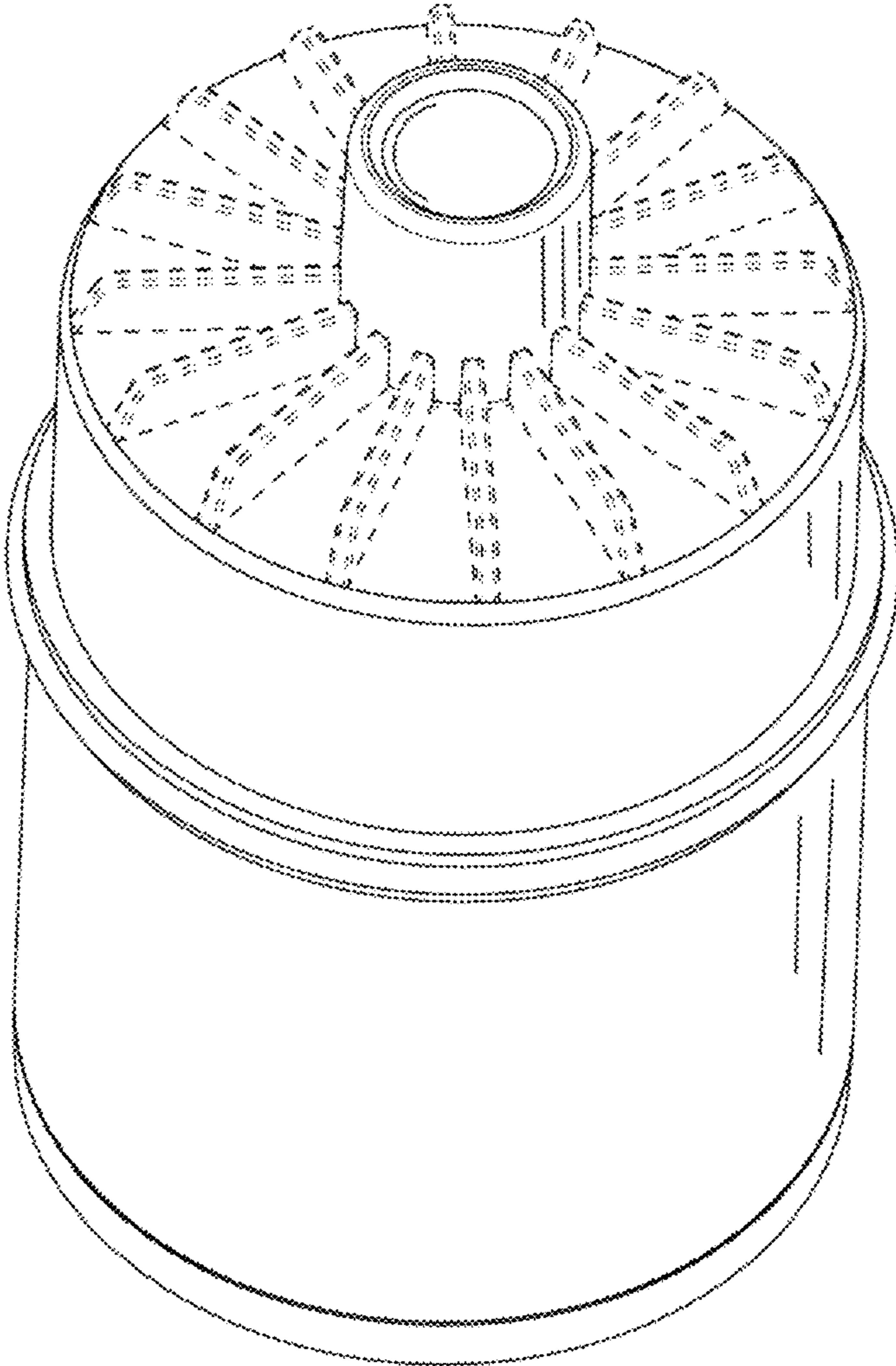


Figure 8