



US00D803348S

(12) **United States Design Patent**
Huang et al.

(10) **Patent No.:** **US D803,348 S**

(45) **Date of Patent:** **** Nov. 21, 2017**

(54) **FISHING TACKLE**

(71) Applicant: **QINGDAO SUNKING CO., LTD.**,
Qingdao, Shandong (CN)

(72) Inventors: **Yubo Huang**, Shandong (CN);
Wenxiang Li, Shandong (CN)

(73) Assignee: **QINGDAO SUNKING CO., LTD.**,
Qingdao, Shandong (CN)

(**) Term: **15 Years**

(21) Appl. No.: **29/582,117**

(22) Filed: **Oct. 25, 2016**

(30) **Foreign Application Priority Data**

Apr. 25, 2016 (CN) 2016 3 0142221

(51) **LOC (10) Cl.** **22-05**

(52) **U.S. Cl.**
USPC **D22/140**

(58) **Field of Classification Search**
USPC D22/137-141; 242/223-224, 234-240,
242/370, 316, 310-311, 322, 283;
43/19-22
CPC A01K 81/00; A01K 81/04; A01K 89/08;
A01K 89/0102; A01K 91/02; F41B
5/1484; F41B 5/1488

See application file for complete search history.

(56) **References Cited**

U.S. PATENT DOCUMENTS

3,521,830	A *	7/1970	Hull	A01K 89/0102 242/244
3,970,263	A *	7/1976	Hull	A01K 89/0102 242/236
D482,753	S *	11/2003	Burke	D22/140
D491,998	S *	6/2004	Burke	D22/140
D521,104	S *	5/2006	Wong	D22/140
D561,868	S *	2/2008	Wong	D22/140

* cited by examiner

Primary Examiner — Catherine R Oliver-Garcia

(74) *Attorney, Agent, or Firm* — Muncy, Geissler, Olds & Lowe, P.C.

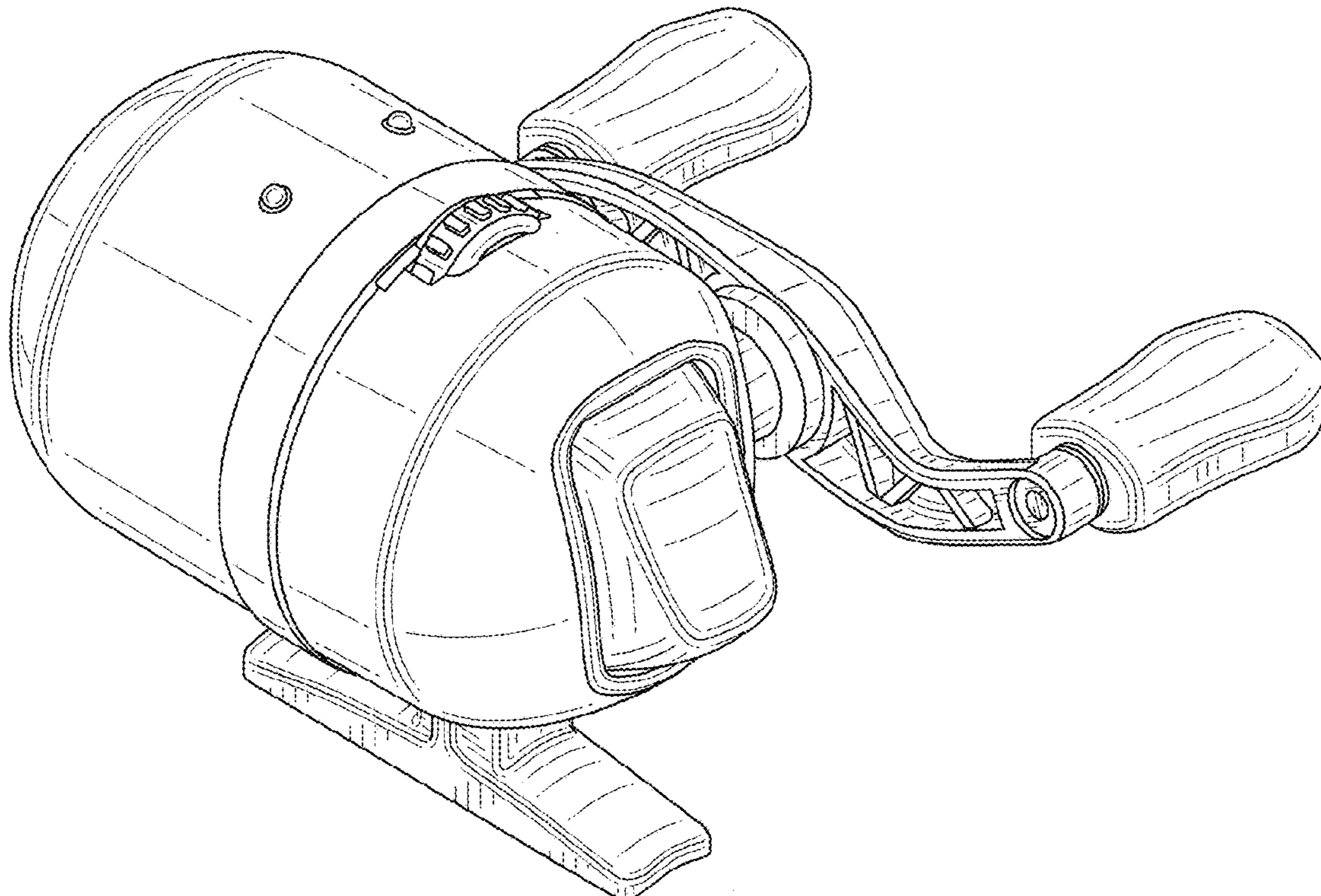
(57) **CLAIM**

The ornamental design for a fishing tackle, as shown and described.

DESCRIPTION

FIG. 1 is a front, right, top perspective view of a fishing tackle showing our new design;
FIG. 2 is a right side view thereof;
FIG. 3 is a left side view thereof;
FIG. 4 is a rear elevational view thereof;
FIG. 5 is a front elevational view thereof;
FIG. 6 is a top plan view thereof; and,
FIG. 7 is a bottom plan view thereof.

1 Claim, 7 Drawing Sheets



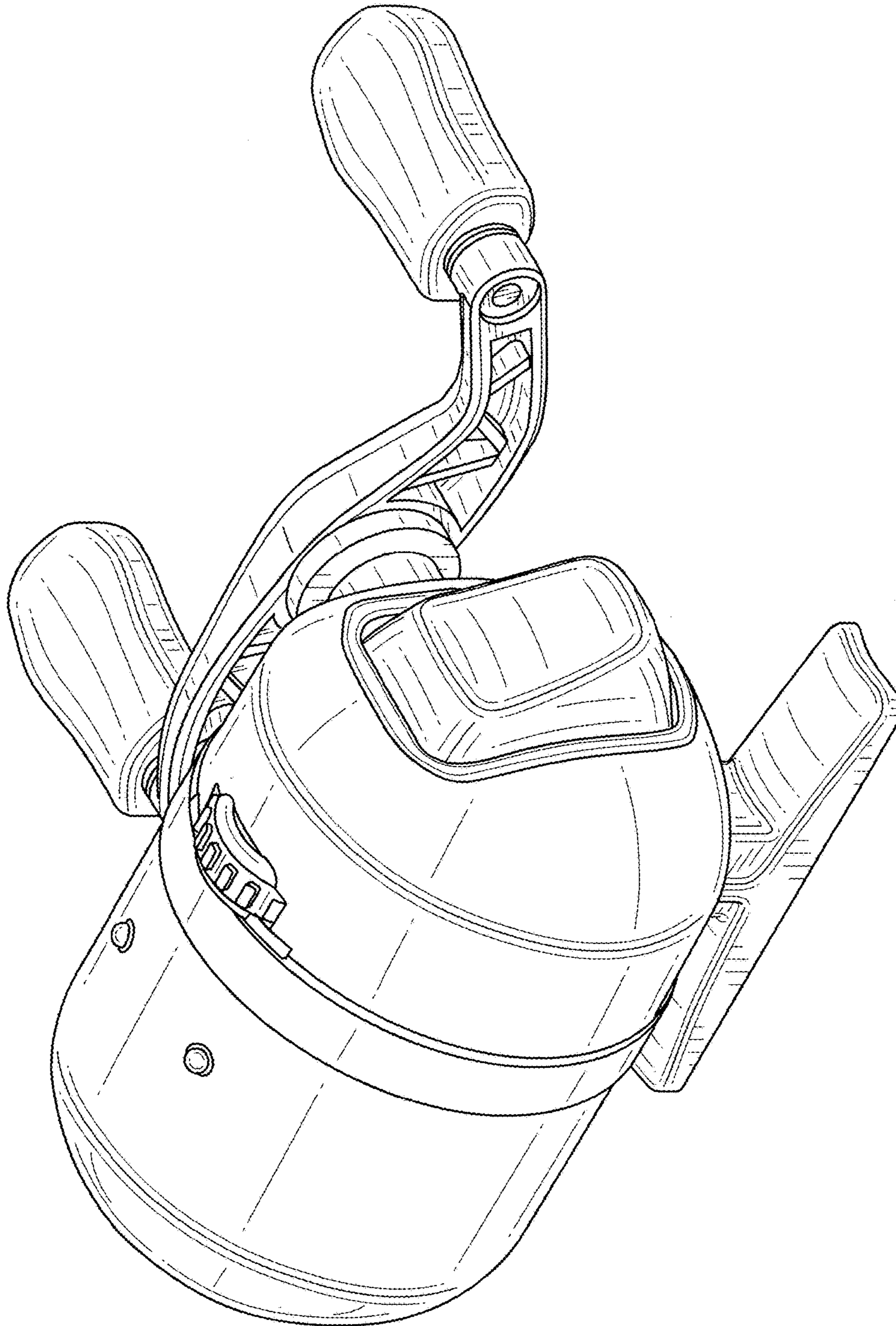


FIG. 1

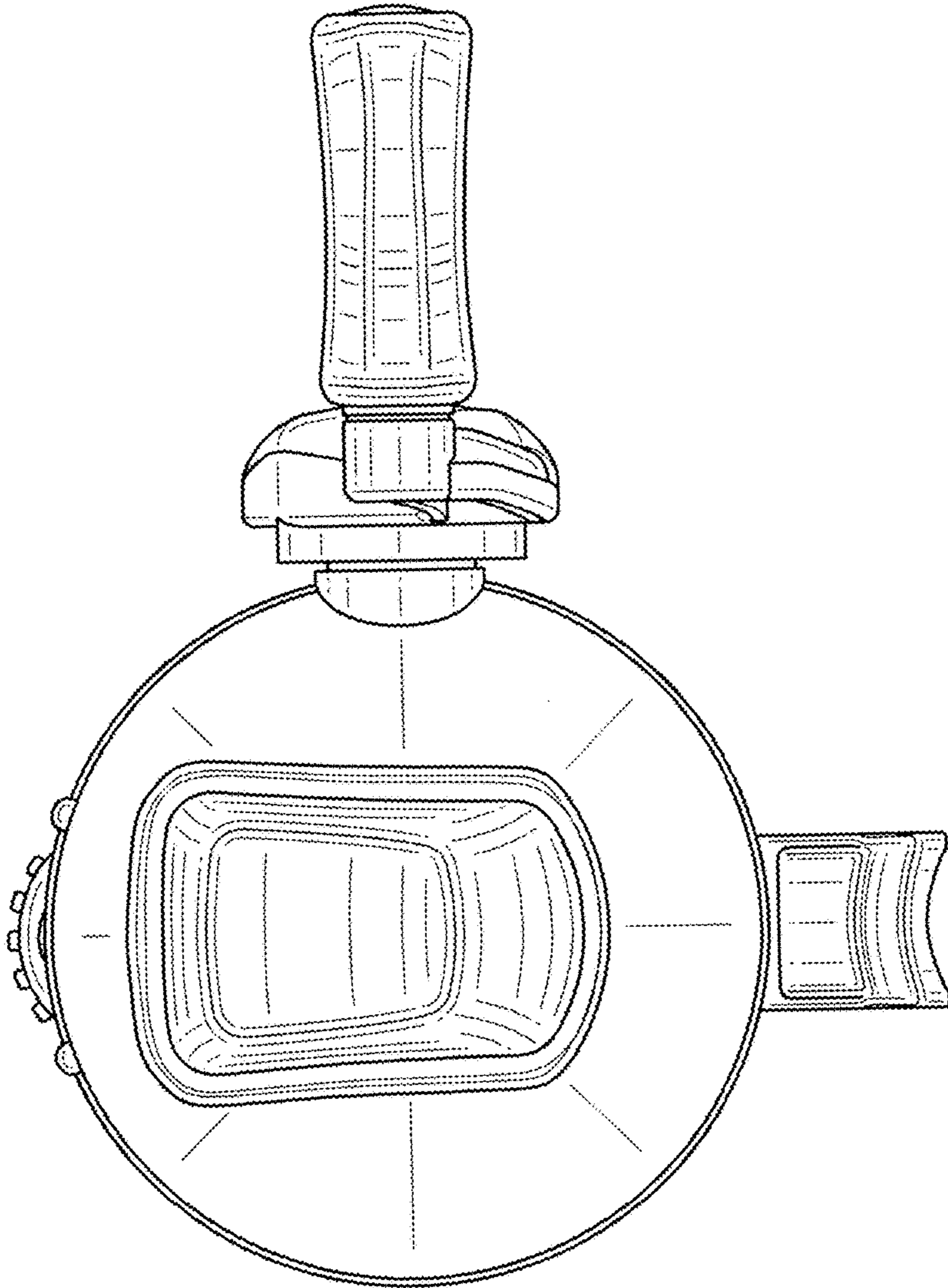


FIG. 2

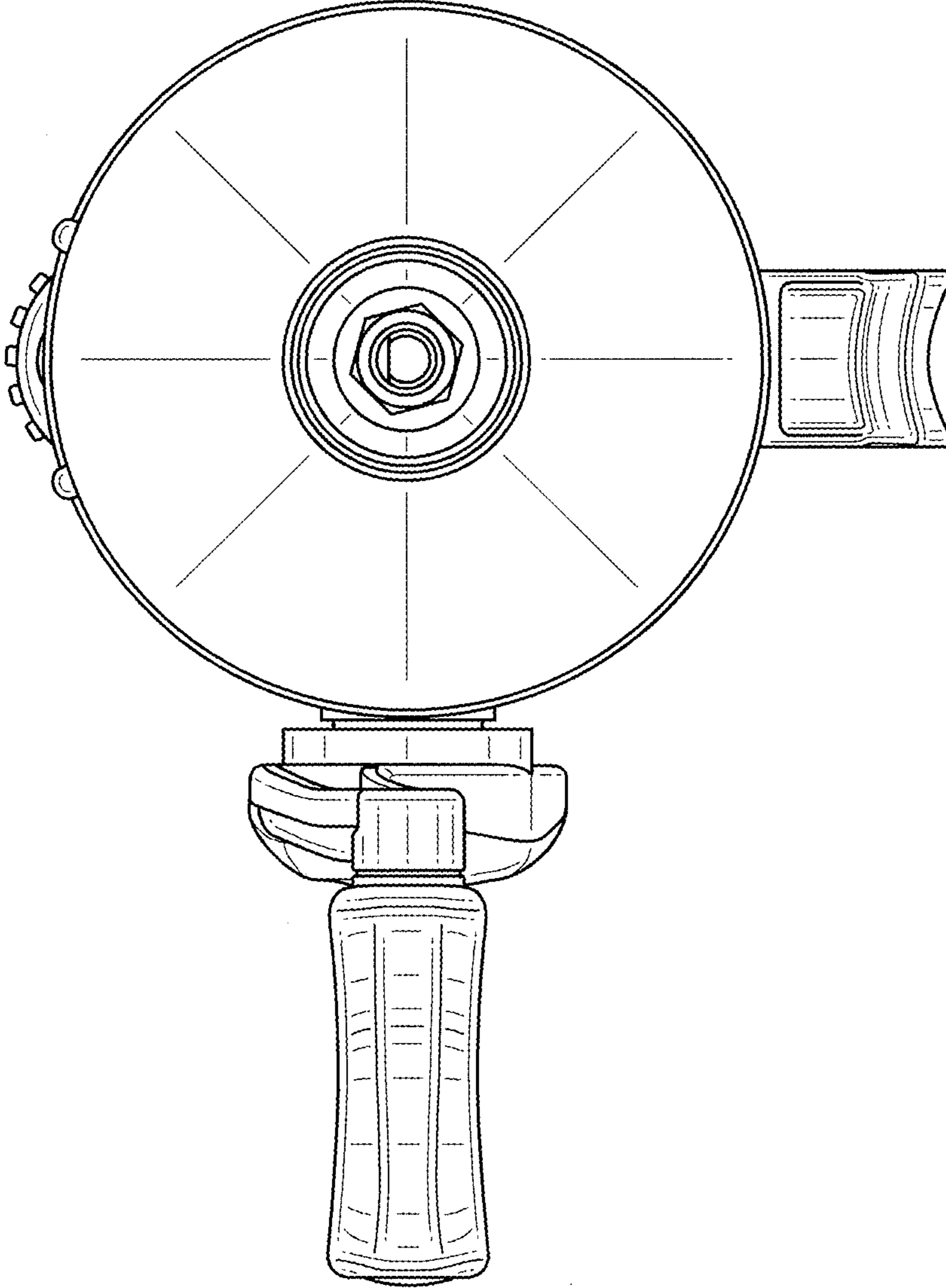


FIG. 3

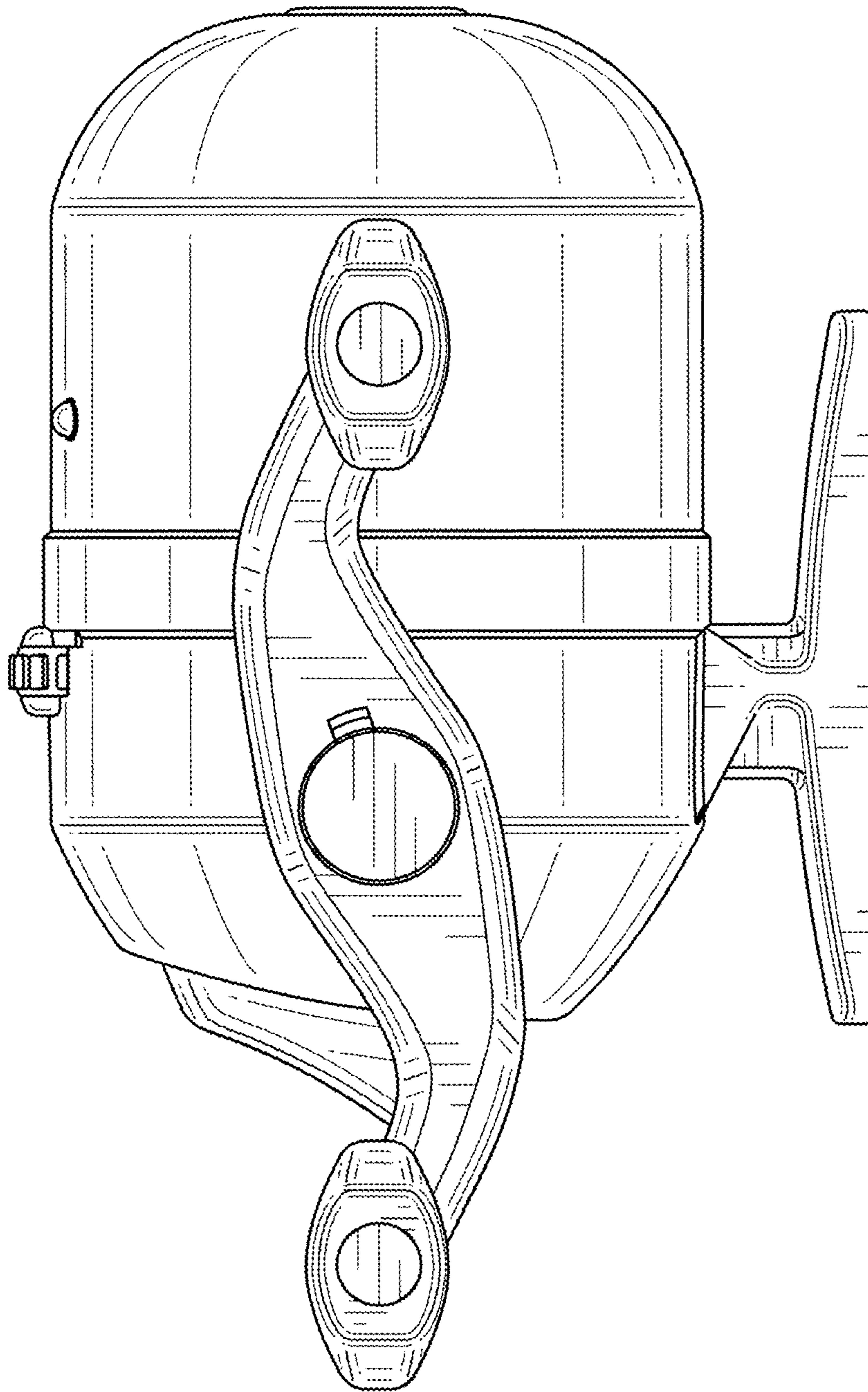


FIG. 4

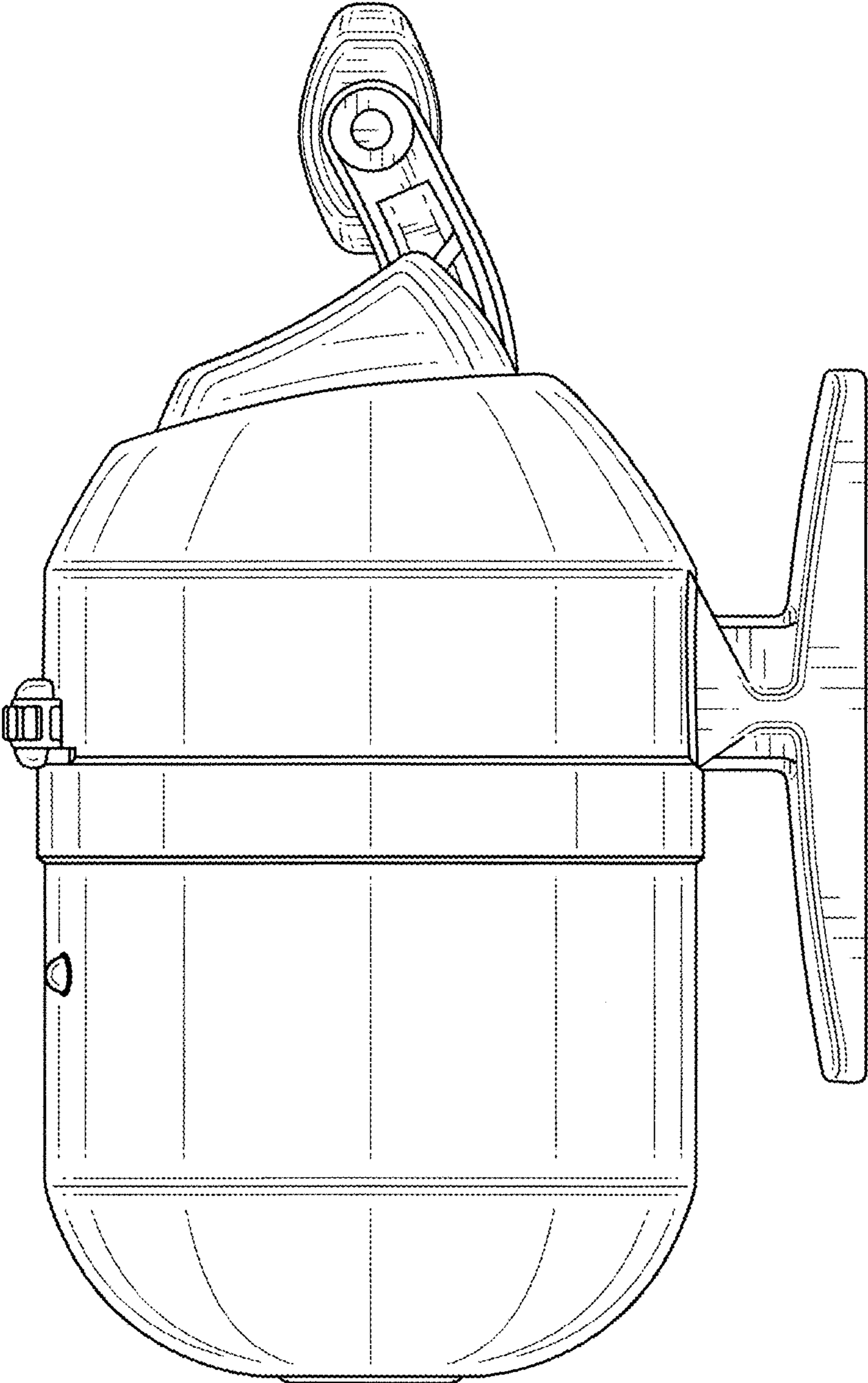


FIG. 5

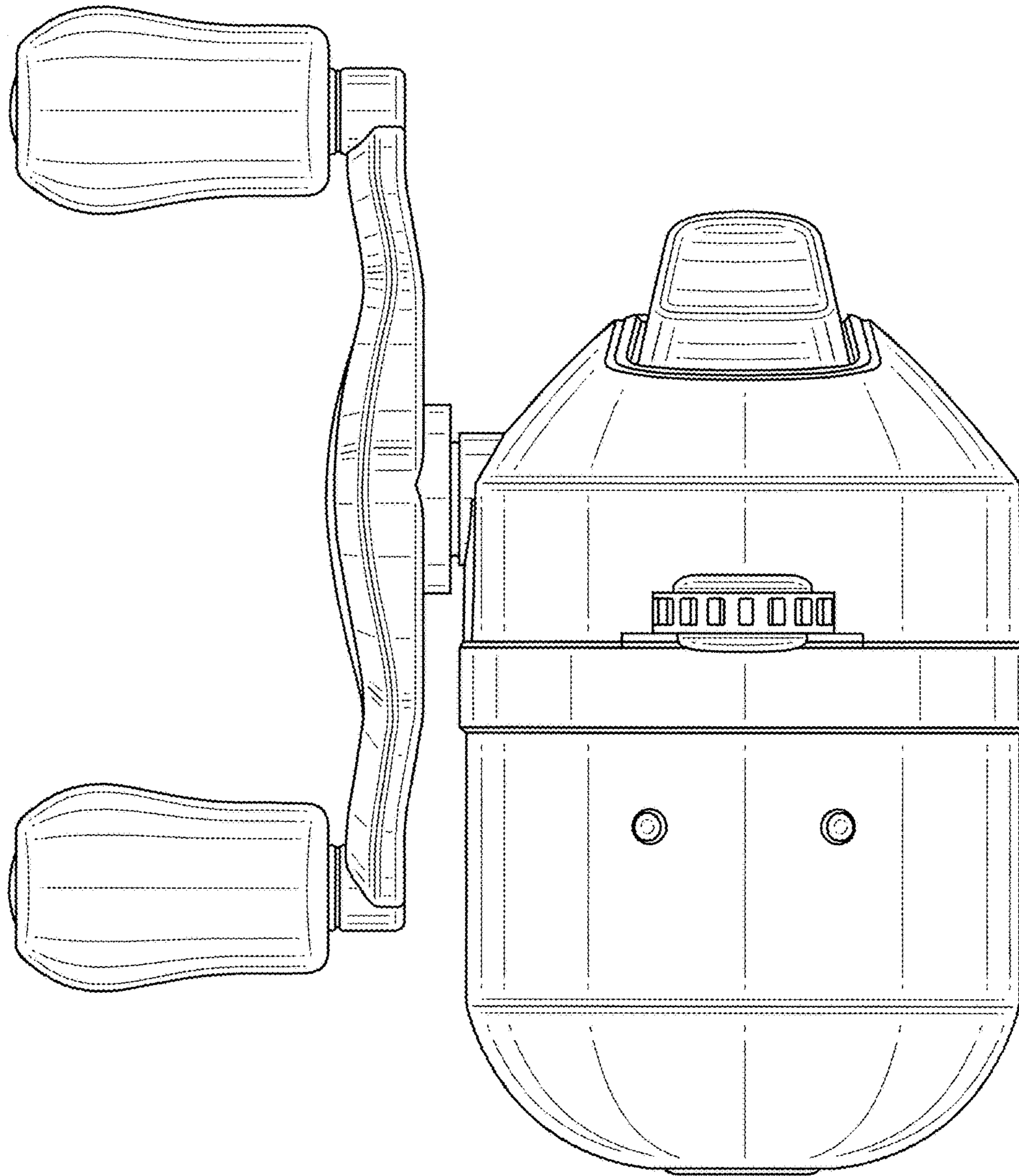


FIG. 6

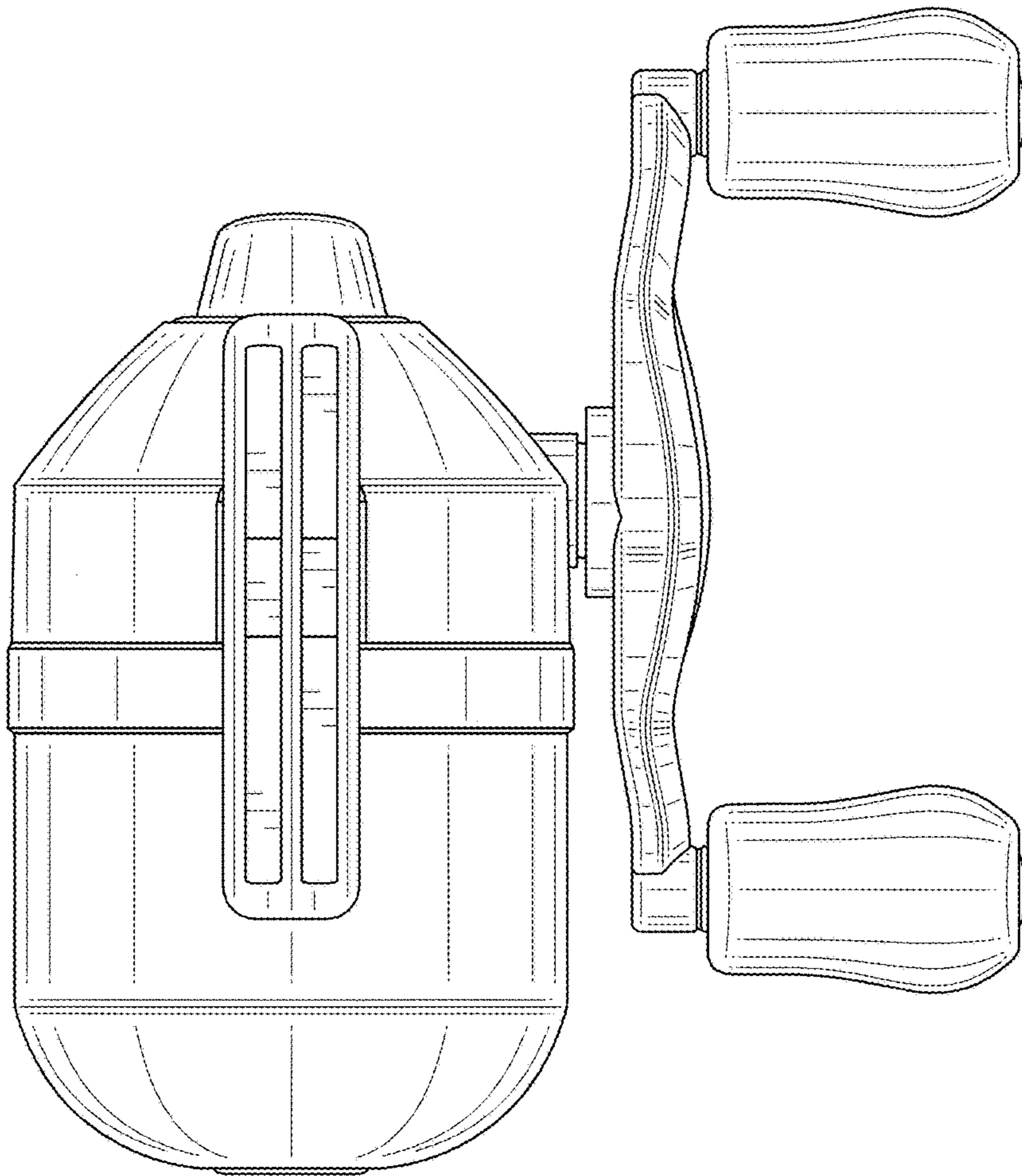


FIG. 7