



US00D803347S

(12) **United States Design Patent**  
**Cheng et al.**

(10) **Patent No.:** **US D803,347 S**

(45) **Date of Patent:** **\*\* Nov. 21, 2017**

(54) **SCOPE**

(71) Applicants: **Carson Cheng**, City of Industry, CA (US); **Jason Michael Cheng**, City of Industry, CA (US); **Changan Tian**, City of Industry, CA (US)

(72) Inventors: **Carson Cheng**, City of Industry, CA (US); **Jason Michael Cheng**, City of Industry, CA (US); **Changan Tian**, City of Industry, CA (US)

(73) Assignee: **NcSTAR, Inc.**, City of Industry, CA (US)

(\*\*) Term: **15 Years**

(21) Appl. No.: **29/552,205**

(22) Filed: **Jan. 21, 2016**

(51) **LOC (10) Cl.** ..... **22-01**

(52) **U.S. Cl.**  
USPC ..... **D22/109**

(58) **Field of Classification Search**  
USPC ..... D22/108, 109, 110; D26/38; D21/573; D14/418  
CPC .... F41G 11/001; F41G 11/003; F41G 11/004; F41G 11/005; F41G 11/006; F41G 1/00; F41G 1/065; F41G 1/08; F41G 1/17; F41G 1/42; F41G 1/32; F41G 1/35; F41G 1/38; F41G 1/02; F41G 1/12; F41G 1/16; F41G 1/345; F41G 1/425; F41A 21/482; F41A

(Continued)

(56) **References Cited**

**U.S. PATENT DOCUMENTS**

D365,858 S \* 1/1996 Tomita ..... D16/132  
D676,096 S \* 2/2013 Gambino ..... D22/109

(Continued)

**OTHER PUBLICATIONS**

Universal Mania, NcStar ADO 3-9x42mm Scope, P4 Sniper Reticule with Flip Up Red Dot Optic, Black, Publication date unknown, [site visited Apr. 13, 2017], Available on the Internet URL: <[https://www.universalmania.com/products/ncstar-ado-3-9x42mm-scope-p4-sniper-reticle-with-flip-up-red-dot-optic-black?gclid=Cj0KEQjww7zHBRCToPSj\\_c\\_WjZIBEiQAJ8iI5PdR](https://www.universalmania.com/products/ncstar-ado-3-9x42mm-scope-p4-sniper-reticle-with-flip-up-red-dot-optic-black?gclid=Cj0KEQjww7zHBRCToPSj_c_WjZIBEiQAJ8iI5PdR)>.\*

*Primary Examiner* — Karen S Acker

*Assistant Examiner* — S. Bryan Reinholdt, Jr.

(74) *Attorney, Agent, or Firm* — Raymond Y. Chan; David and Raymond Patent Firm

(57) **CLAIM**

The ornamental design for a scope, as shown and described.

**DESCRIPTION**

FIG. 1 is a perspective view of a scope showing our new design, illustrating a sight lens at an unfolded position.

FIG. 2 is a front view of the scope, illustrating the sight lens at the unfolded position.

FIG. 3 is a rear view of the scope, illustrating the sight lens at the unfolded position.

FIG. 4 is a right view of the scope, illustrating the sight lens at the unfolded position.

FIG. 5 is a left view of the scope, illustrating the sight lens at the unfolded position.

FIG. 6 is a top view of the scope, illustrating the sight lens at the unfolded position.

FIG. 7 is a bottom view of the scope, illustrating the sight lens at the unfolded position.

FIG. 8 is a perspective view of the scope, illustrating the sight lens at a folded position.

FIG. 9 is a front view of the scope, illustrating the sight lens at the folded position.

FIG. 10 is a rear view of the scope, illustrating the sight lens at the folded position.

FIG. 11 is a right view of the scope, illustrating the sight lens at the folded position.

FIG. 12 is a left view of the scope, illustrating the sight lens at the folded position; and,

(Continued)

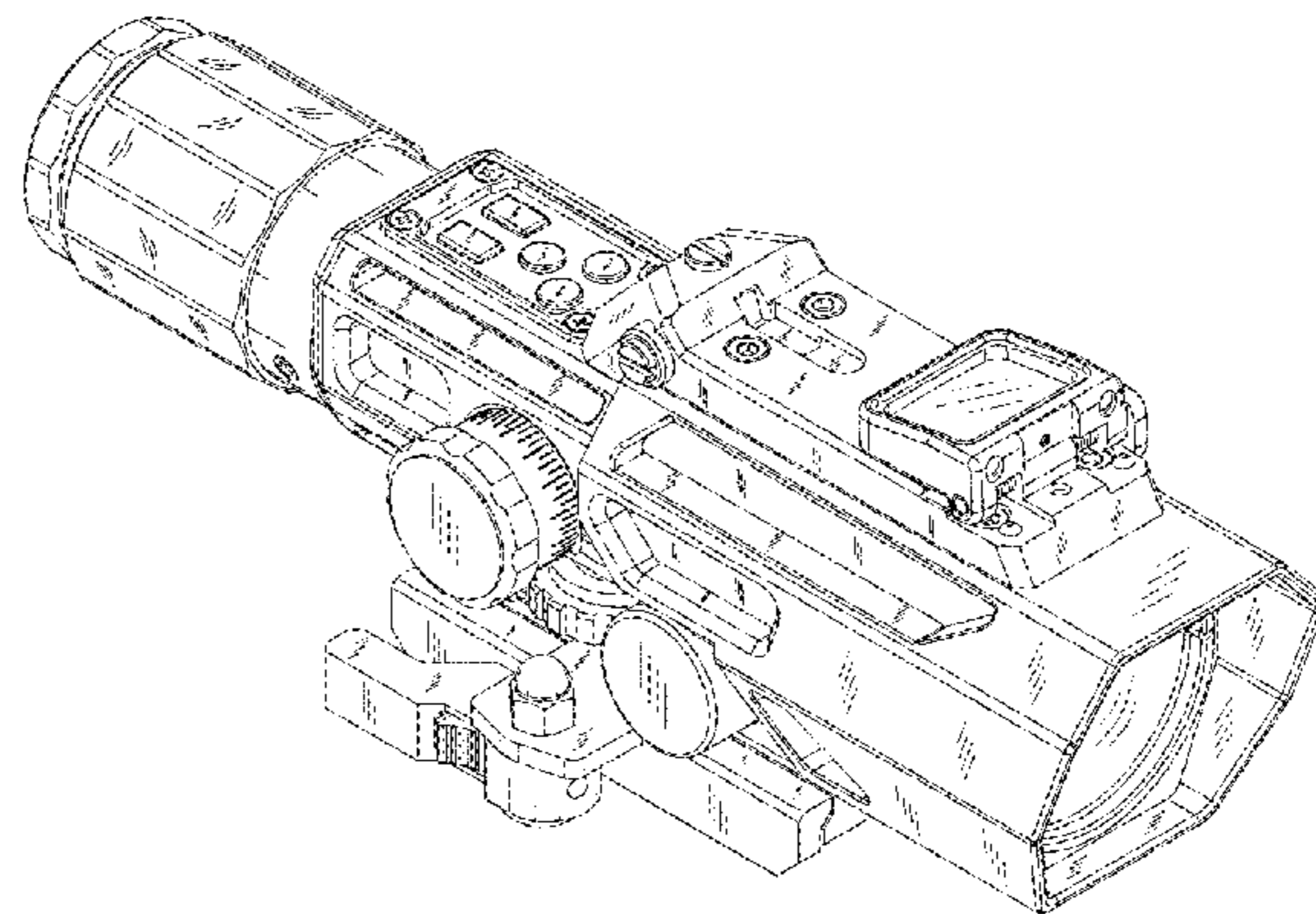
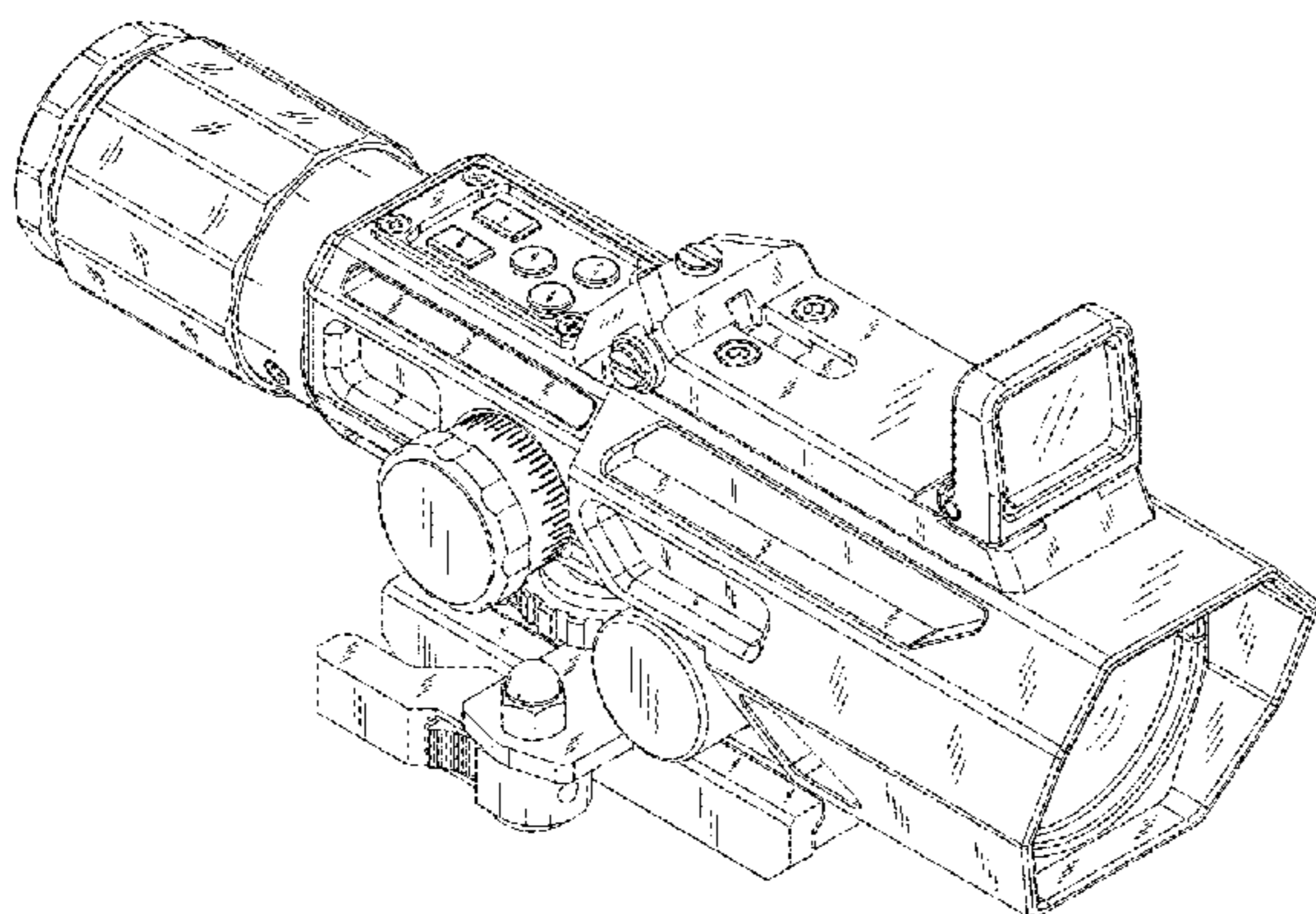


FIG. 13 is a top view of the scope, illustrating the sight lens at the folded position.

**1 Claim, 8 Drawing Sheets**

**(58) Field of Classification Search**

CPC ..... 21/488; F41A 11/02; F41A 3/66; F41C  
23/04; F41C 23/10; F41C 23/14; F41C  
23/16; F41C 23/20; G02B 23/105; G02B  
27/34; G02B 27/10

See application file for complete search history.

**(56) References Cited**

U.S. PATENT DOCUMENTS

D730,477	S *	5/2015	Huynh	.....	D22/109
D732,633	S *	6/2015	Cheng	.....	D22/109
D757,886	S *	5/2016	Cheng	.....	D22/109
RE46,226	E *	12/2016	Gambino	.....	D22/109
D774,158	S *	12/2016	Cheng	.....	D22/109
D781,990	S *	3/2017	Cheng	.....	D22/109
2014/0305021	A1 *	10/2014	Prieto	.....	F41G 11/003 42/111
2016/0033232	A1 *	2/2016	Cheng	.....	F41G 1/345 42/114
2017/0030681	A1 *	2/2017	Liang	.....	F41G 3/065

\* cited by examiner

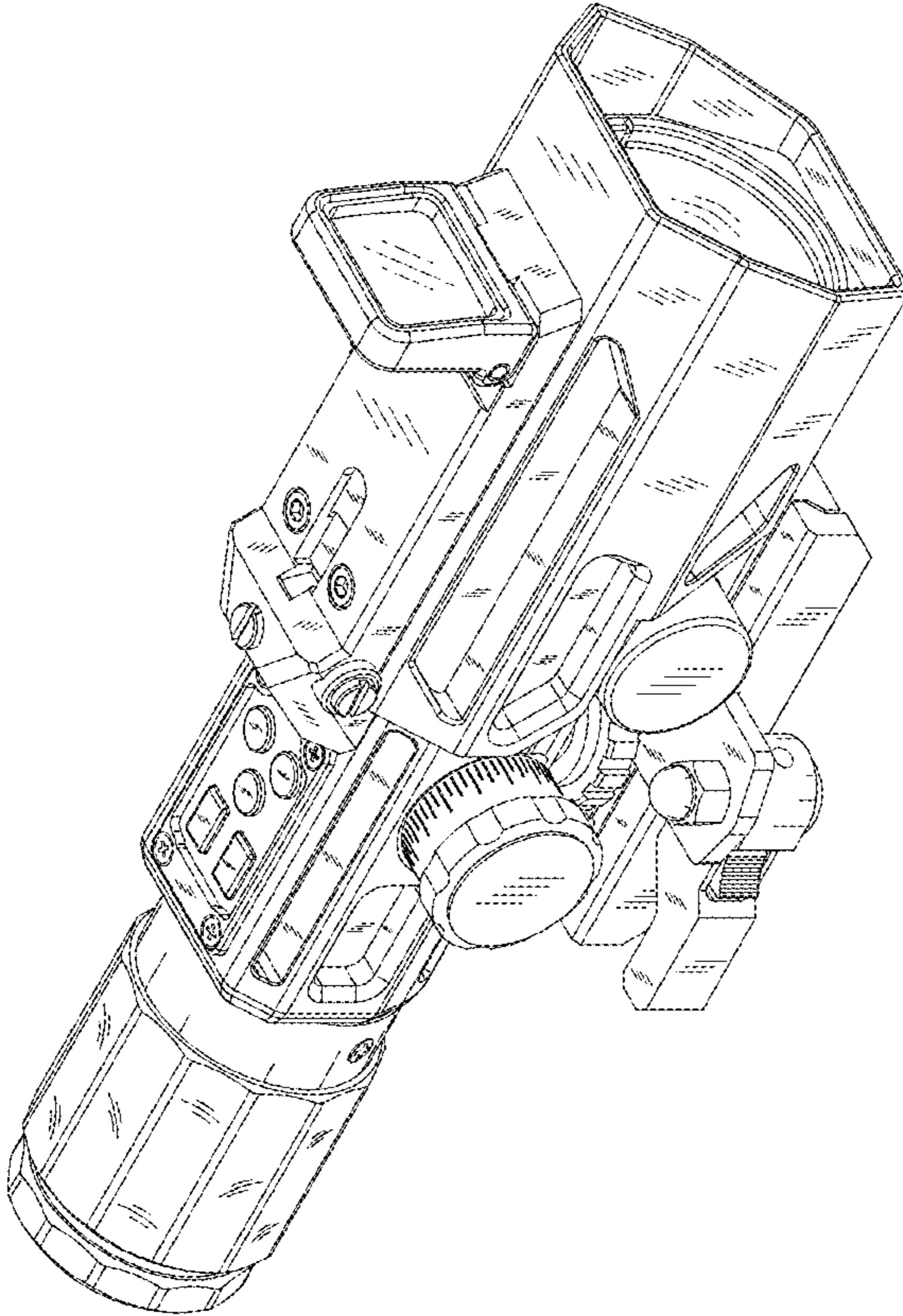


FIG.1

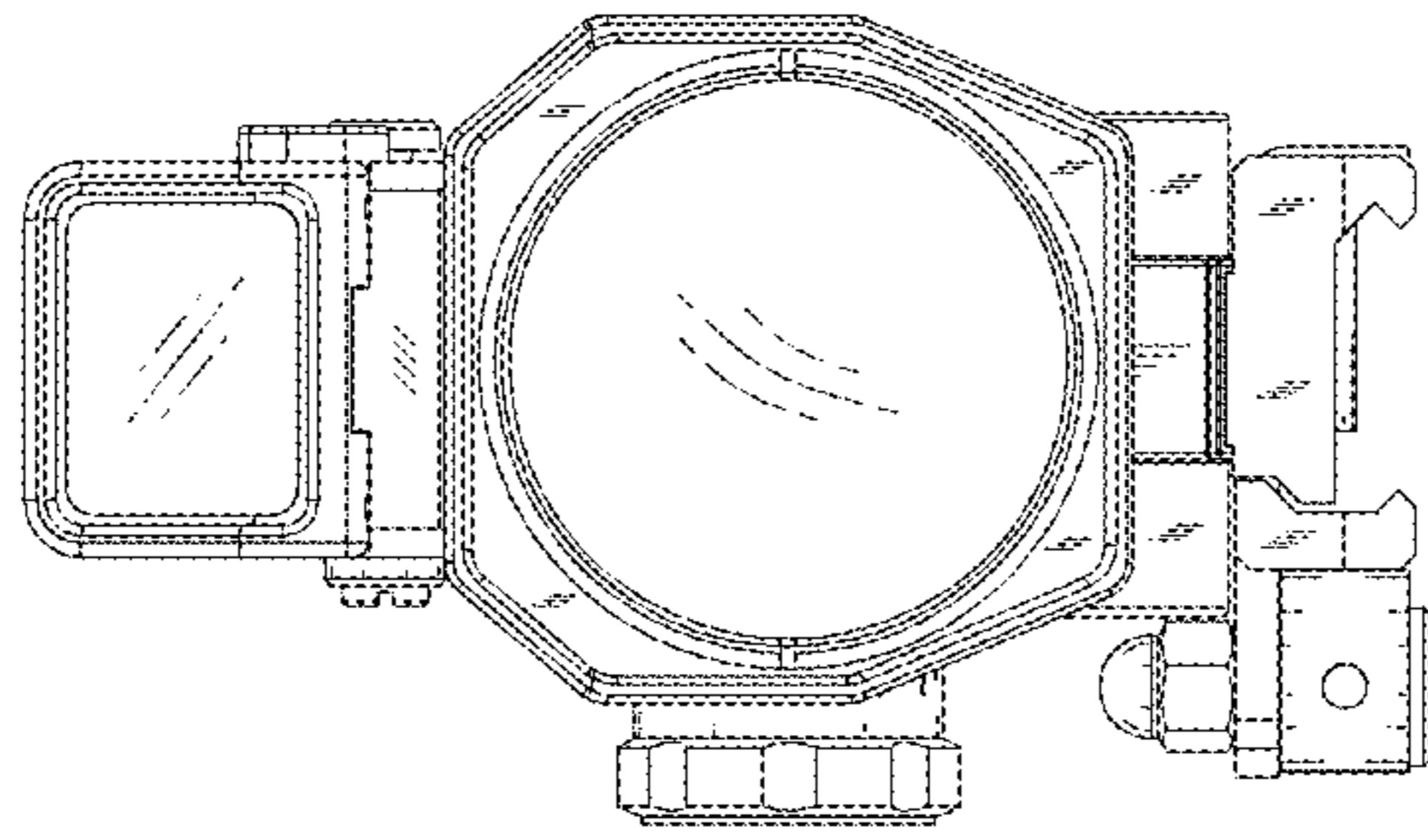


FIG.3

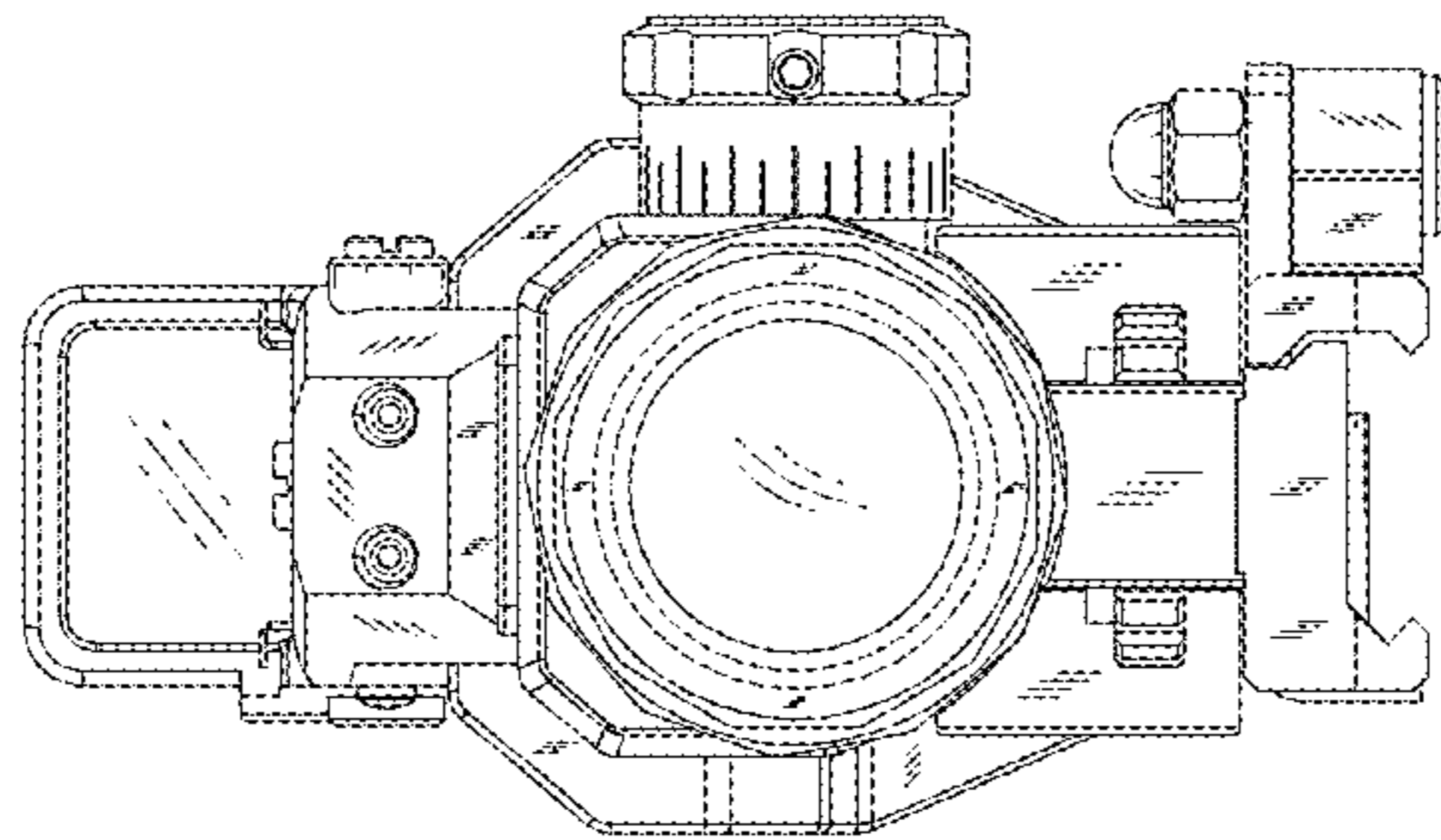


FIG.2

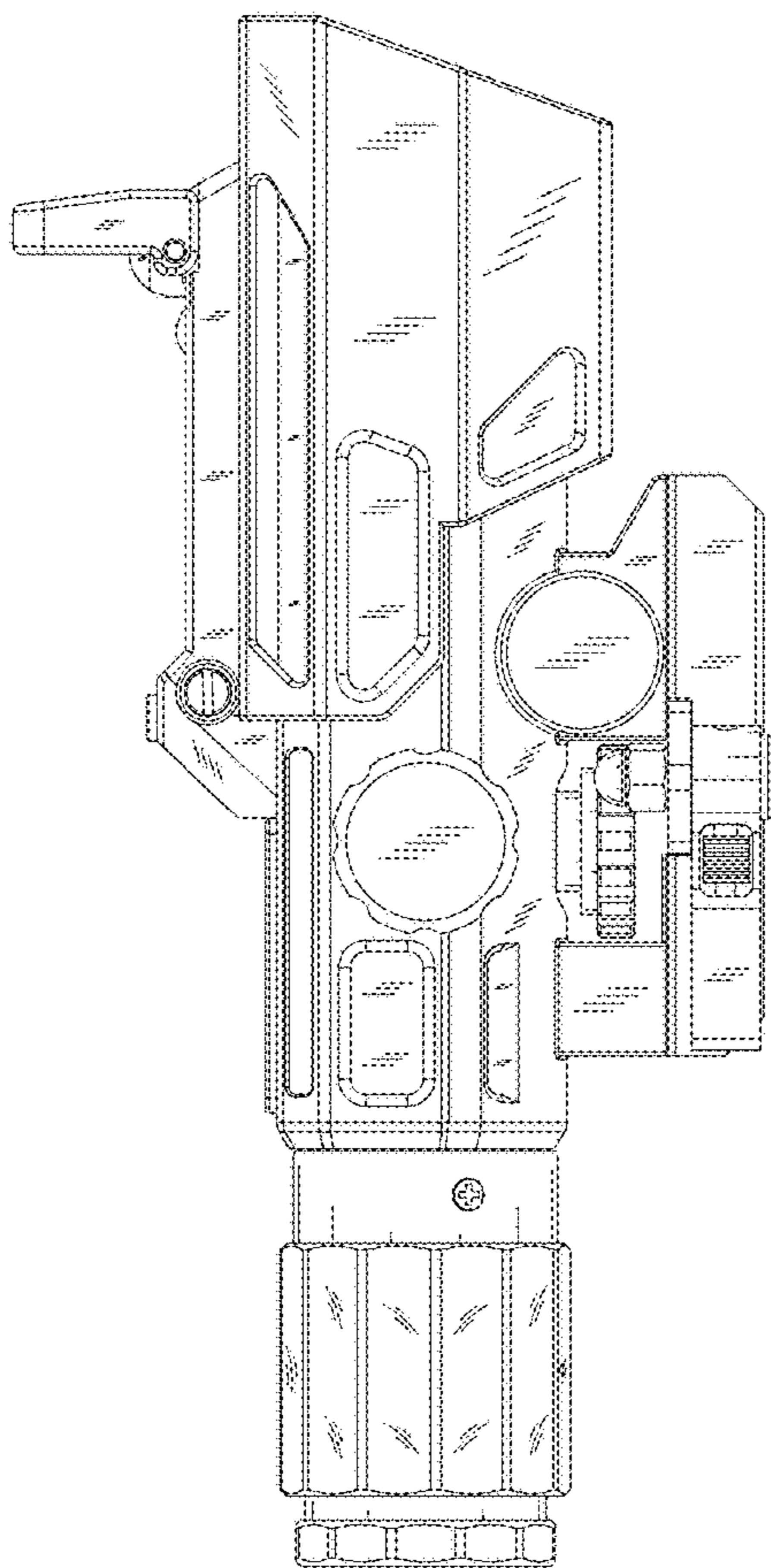


FIG. 4

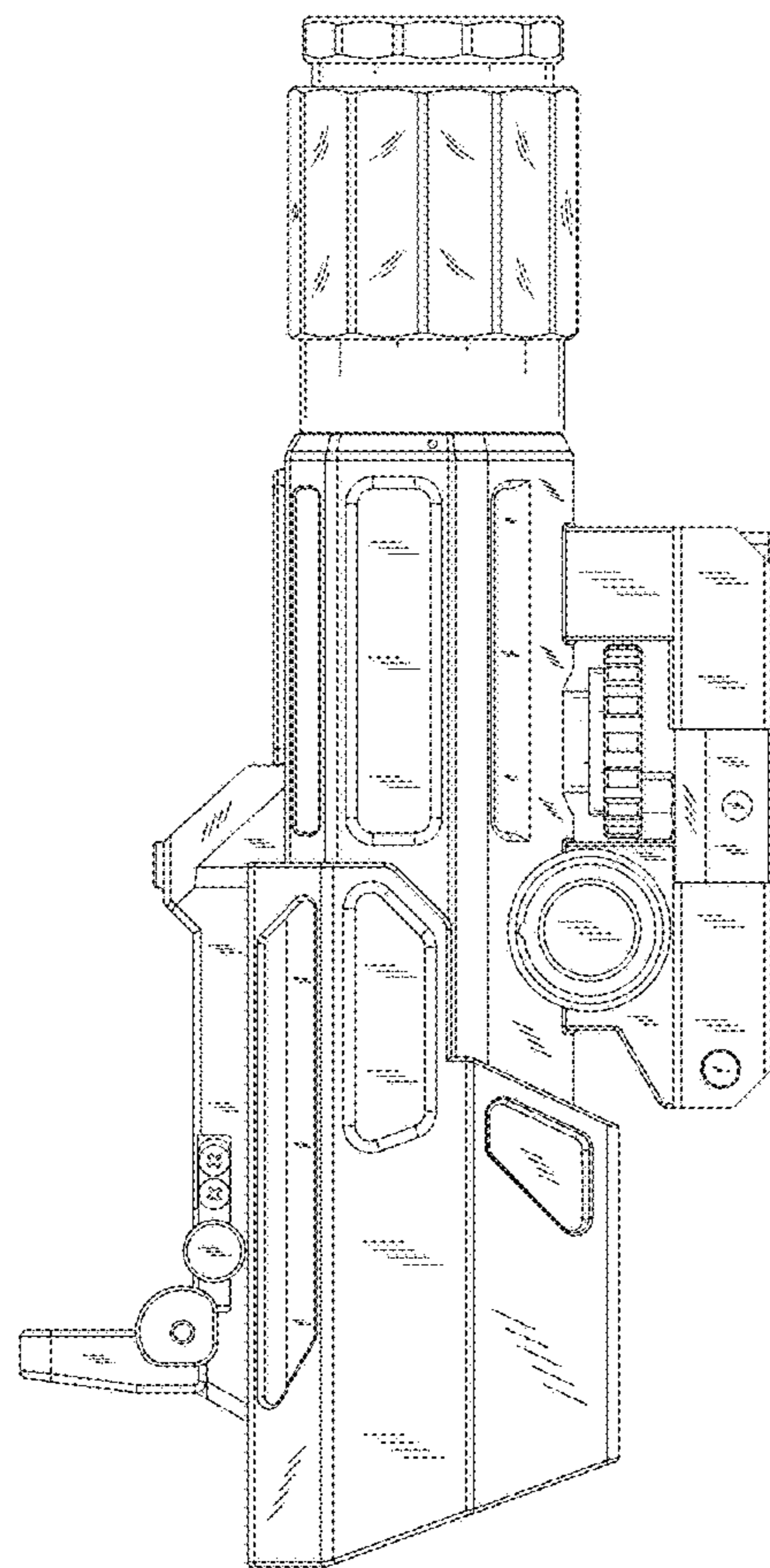


FIG. 5

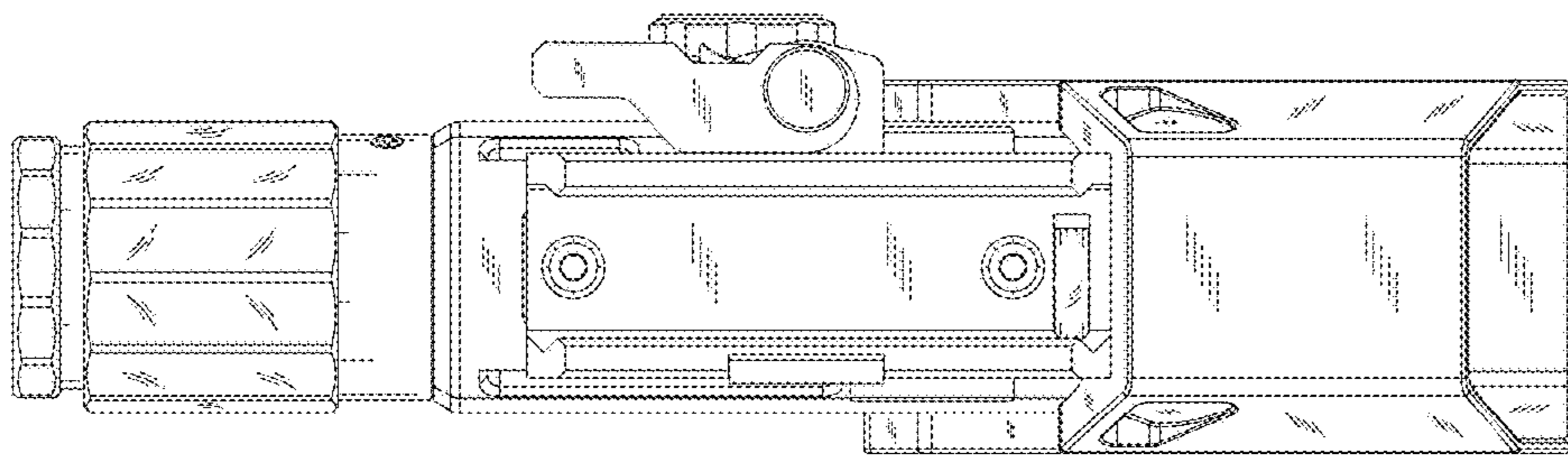


FIG. 7

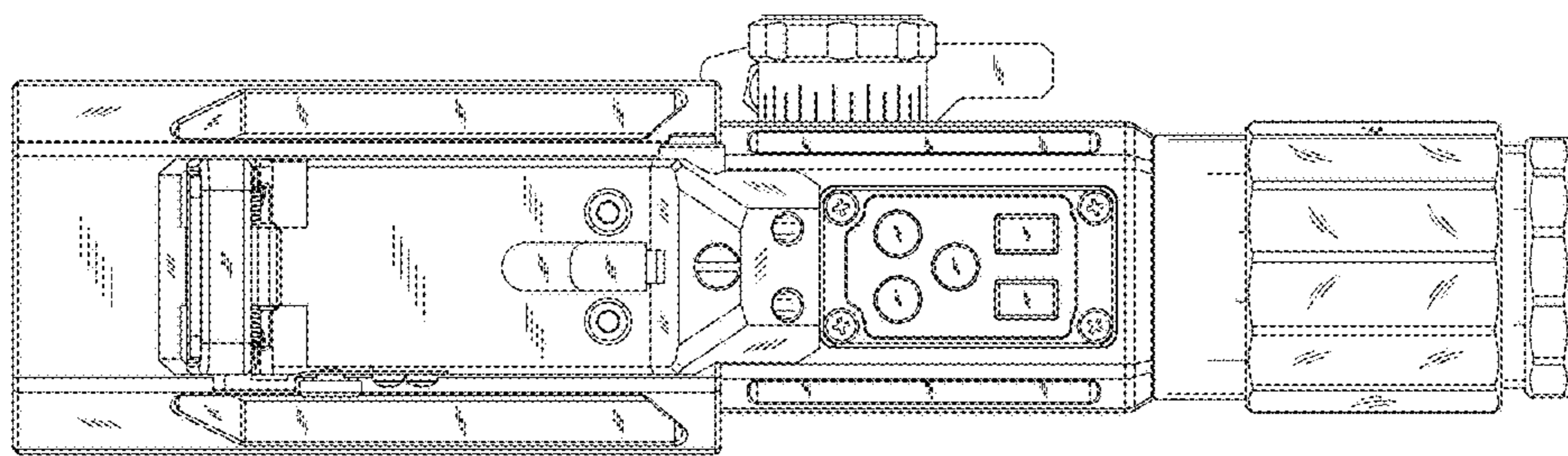


FIG. 6

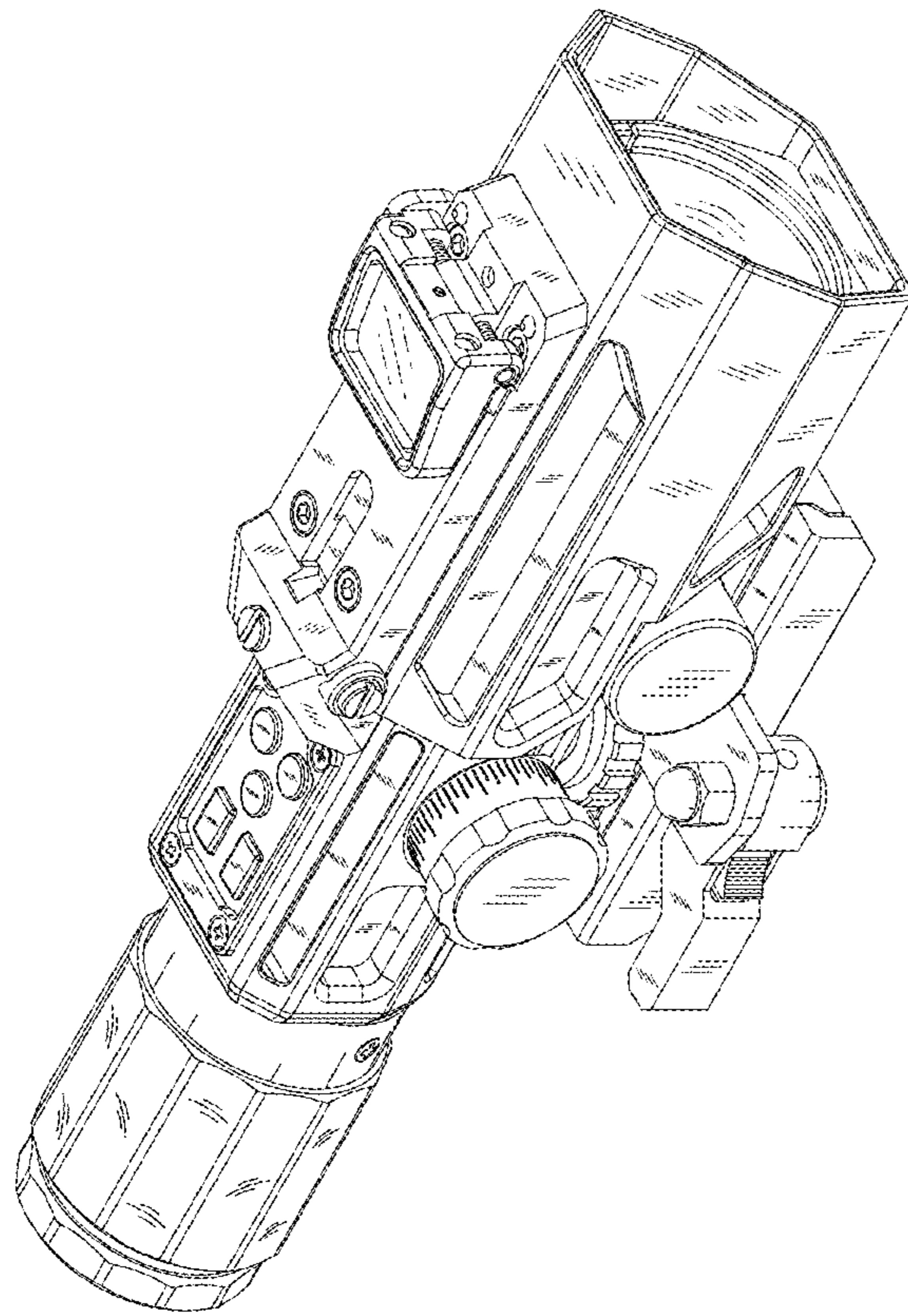


FIG.8

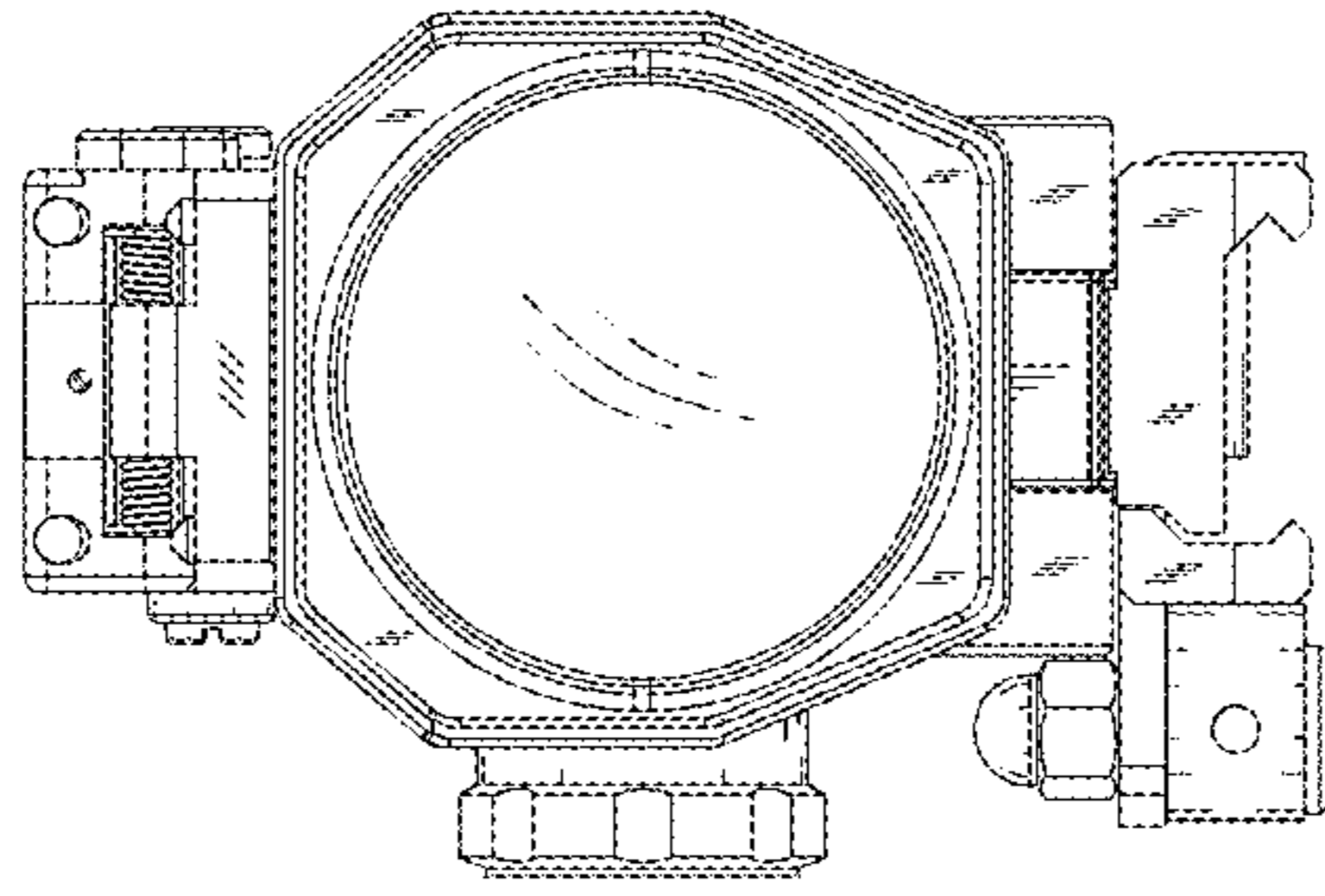


FIG.10

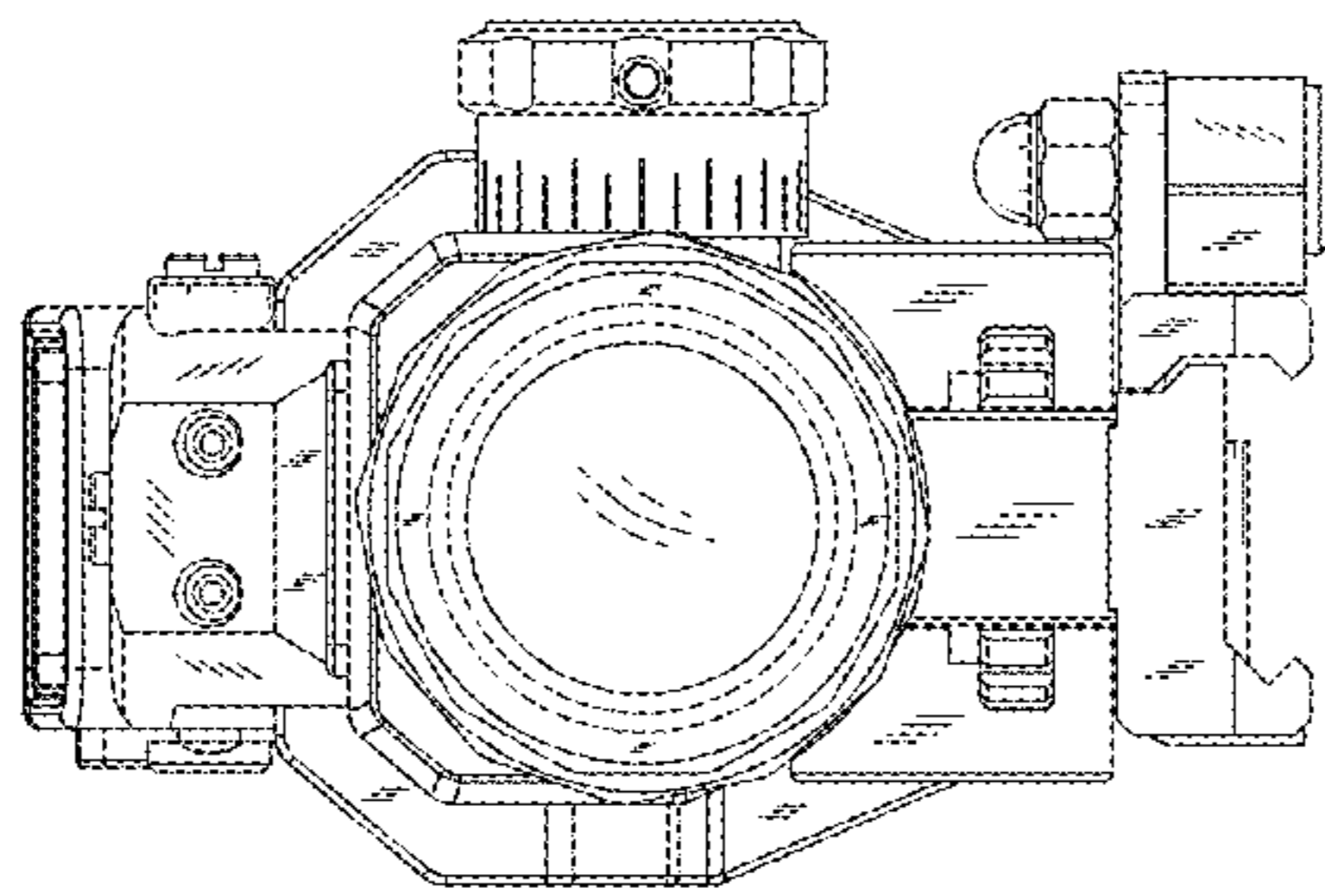


FIG.9



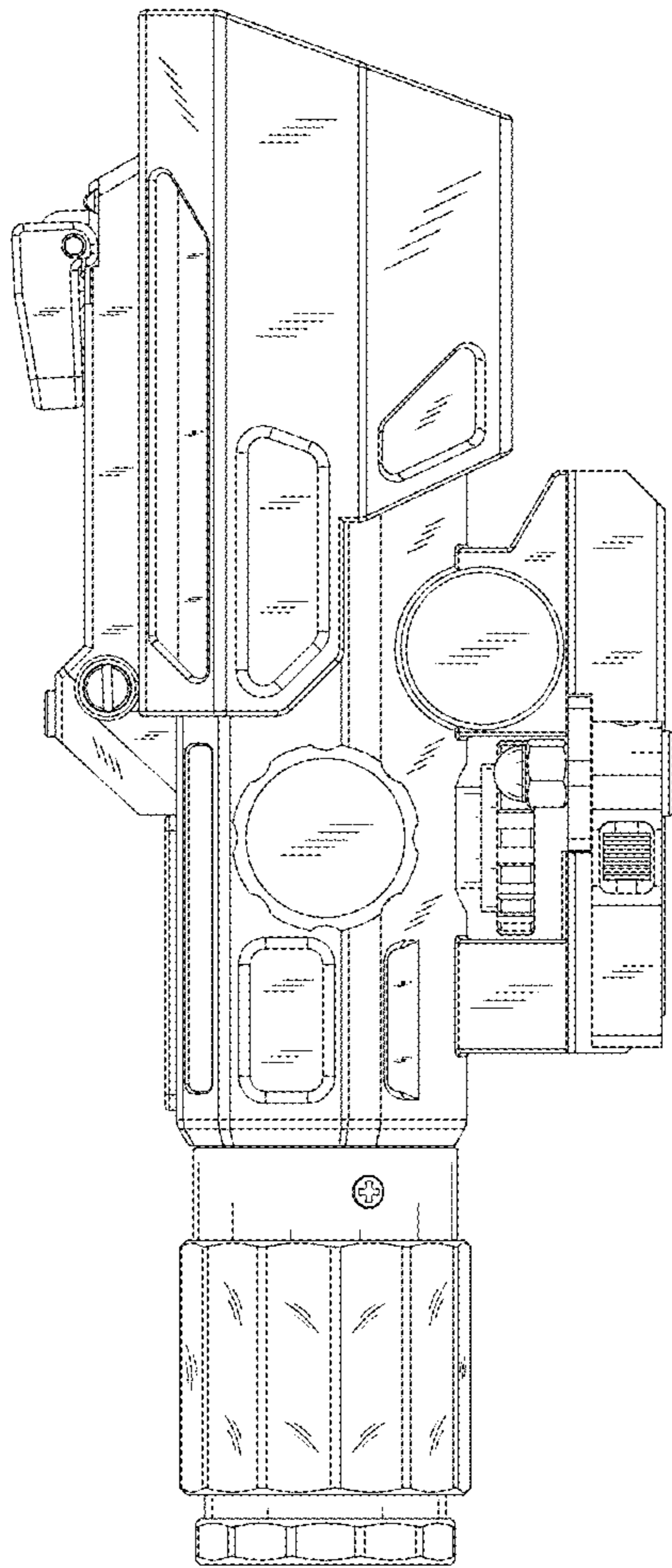


FIG.11

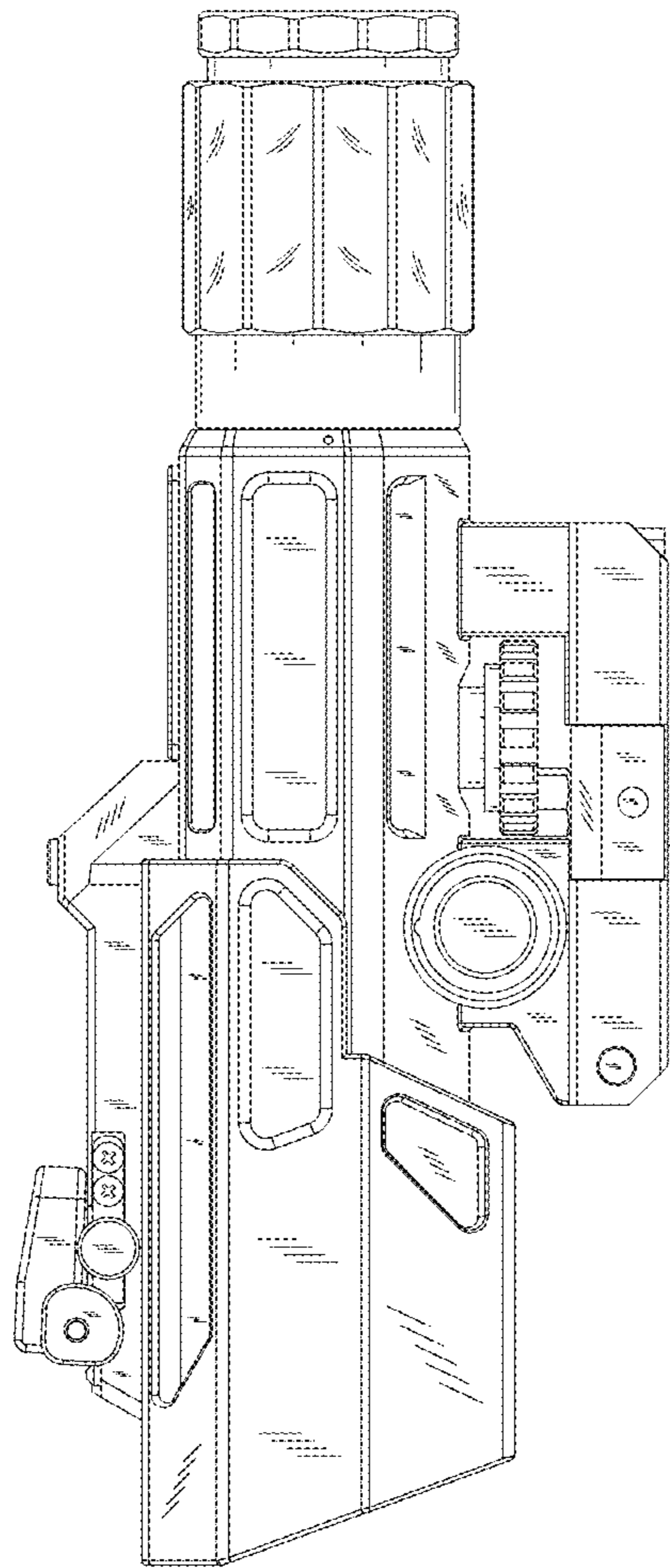


FIG.12

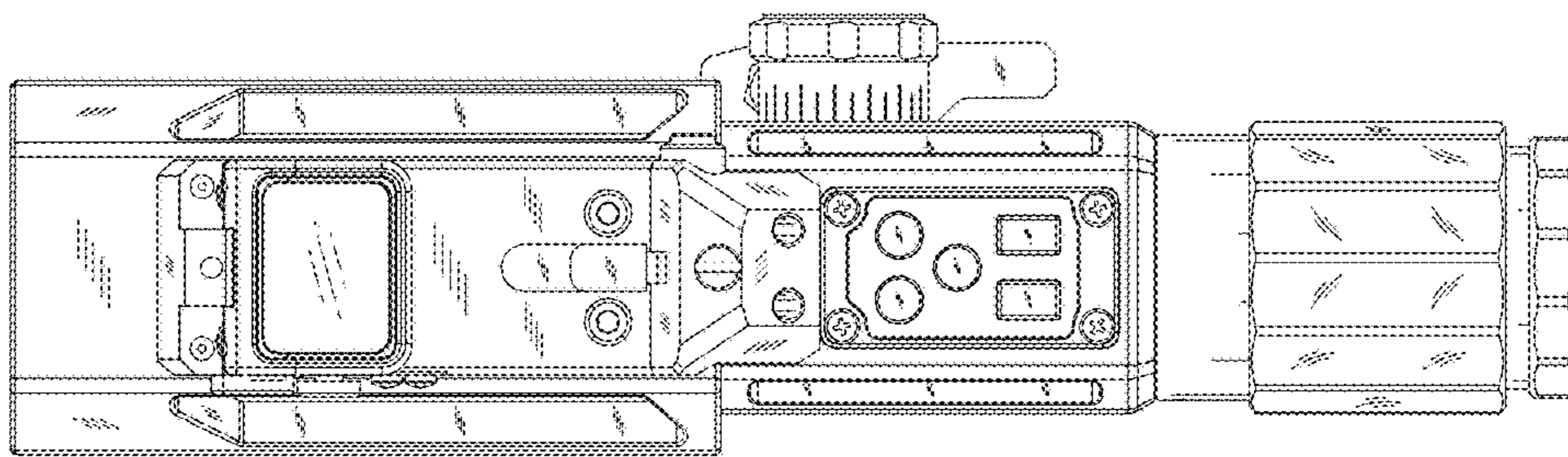


FIG.13