



US00D803346S

(12) **United States Design Patent**  
**McKillips**

(10) **Patent No.:** **US D803,346 S**

(45) **Date of Patent:** **\*\* Nov. 21, 2017**

(54) **BAYONET MOUNT**

F41C 23/14; F41C 23/16; F41C 23/20;  
F41C 7/00; F41C 27/00; G02B 23/105

See application file for complete search history.

(71) Applicant: **WHG Properties, LLC**, North Wales,  
PA (US)

(72) Inventor: **Neal McKillips**, Drexel Hill, PA (US)

(73) Assignee: **WHG Properties, LLC**, North Wales,  
PA (US)

(\*\*) Term: **15 Years**

(21) Appl. No.: **29/589,539**

(22) Filed: **Jan. 3, 2017**

**Related U.S. Application Data**

(62) Division of application No. 29/556,076, filed on Feb.  
26, 2016, now Pat. No. Des. 794,154.

(51) **LOC (10) Cl.** ..... **22-01**

(52) **U.S. Cl.**  
USPC ..... **D22/108**

(58) **Field of Classification Search**

USPC ..... D22/100, 101, 103, 105, 108, 109, 110;  
D21/572-575; D14/418; D23/233, 235  
CPC .... F41G 11/001; F41G 11/003; F41G 11/004;  
F41G 11/005; F41G 11/006; F41G 1/00;  
F41G 1/065; F41G 1/08; F41G 1/17;  
F41G 1/42; F41G 1/32; F41G 1/35; F41G  
1/38; F41G 1/02; F41G 1/12; F41G 1/16;  
F41G 1/345; F41G 1/425; F41G 3/00;  
F41A 21/482; F41A 21/488; F41A 21/00;  
F41A 11/00; F41A 11/02; F41A 11/04;  
F41A 3/66; F41A 3/72; F41A 9/61; F41A  
9/62; F41A 9/65; F41A 9/70; F41A 9/83;  
F41A 17/38; F41C 23/04; F41C 23/10;

(56) **References Cited**

U.S. PATENT DOCUMENTS

152,320 A \* 6/1874 Beals ..... F41C 27/18  
42/86  
1,234,575 A 7/1917 Schneider  
(Continued)

OTHER PUBLICATIONS

Shot Show 2016 Featured Products From Geissele Automatics, Feb.  
18, 2016, [online], [site visited Dec. 16, 2016] at <https://www.youtube.com/watch?v=FWITdrnDITw>.

(Continued)

*Primary Examiner* — Jeffrey D Asch

*Assistant Examiner* — Tracey J Bell

(74) *Attorney, Agent, or Firm* — Merchant & Gould, P.C.

(57) **CLAIM**

The ornamental design for a bayonet mount, as shown and  
described.

**DESCRIPTION**

FIG. 1 is an isometric view of a bayonet mount in accordance with the present disclosure;  
FIG. 2 is another isometric view of the bayonet mount of FIG. 1;  
FIG. 3 is a right side elevation view of the bayonet mount of FIG. 1;  
FIG. 4 is a left side elevation view of the bayonet mount of FIG. 1;  
FIG. 5 is a rear elevation view of the bayonet mount of FIG. 1;  
FIG. 6 is a front elevation view of the bayonet mount of FIG. 1;  
FIG. 7 is a top view of the bayonet mount of FIG. 1;  
FIG. 8 is a bottom view of the bayonet mount of FIG. 1; and,

(Continued)

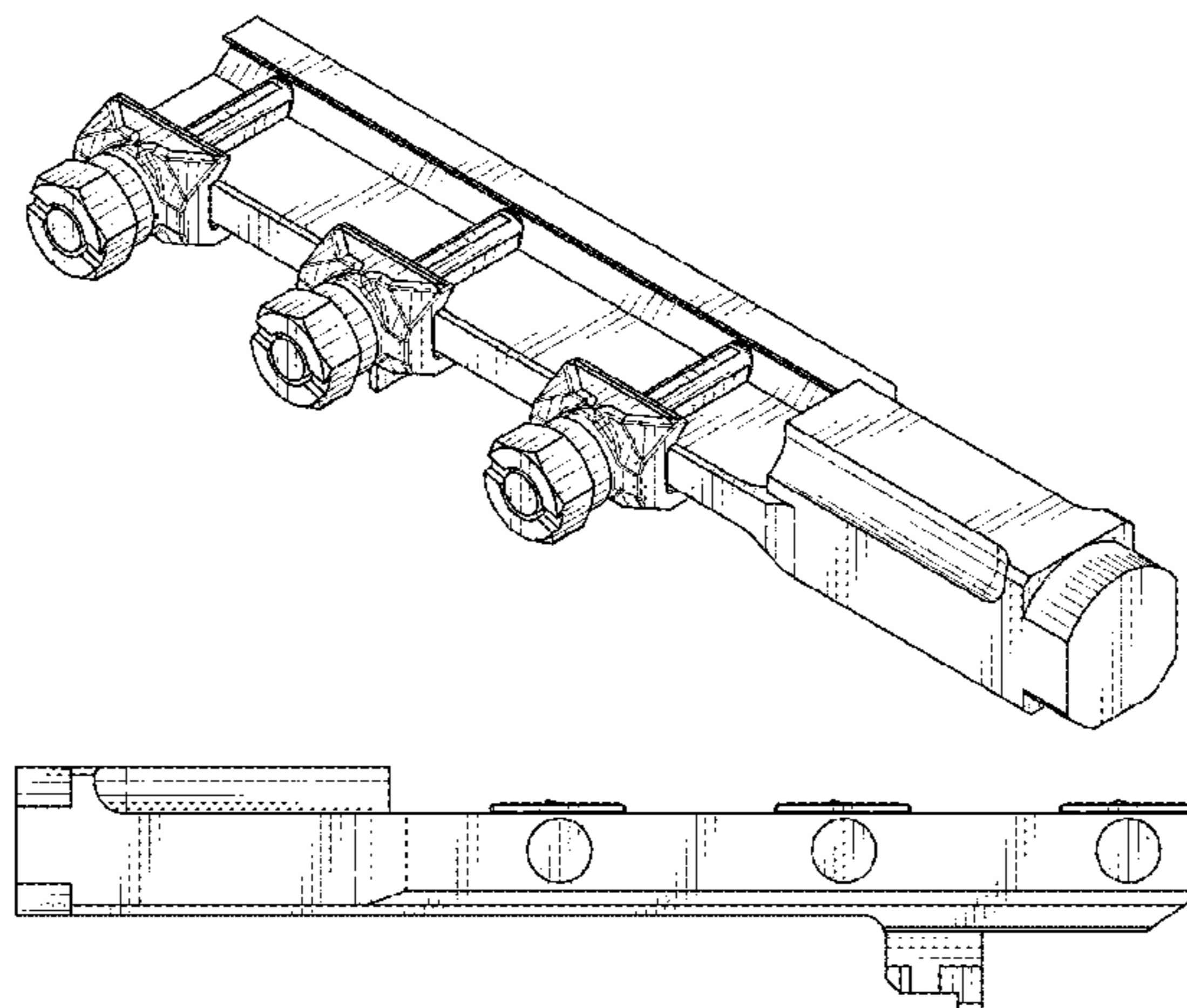


FIG. 9 is a right side view of a bayonet mount of FIG. 1.  
The broken lines in the Figures are directed to environment  
and form no part of the claimed design.

**1 Claim, 4 Drawing Sheets**

(56) **References Cited**

U.S. PATENT DOCUMENTS

1,237,330	A	8/1917	Hammond	
3,076,280	A	2/1963	Bervoets	
3,994,072	A	11/1976	Agnello	
D276,411	S	11/1984	Peroni	
6,289,621	B1	9/2001	Vendetti et al.	
D542,888	S *	5/2007	Ye .....	D23/233
D718,833	S	12/2014	Huang	
D742,472	S	11/2015	Ledet	
9,341,442	B1	5/2016	Geissele	
D764,249	S *	8/2016	Deveci .....	D8/72
D794,154	S *	8/2017	McKillips .....	D22/108
2016/0010946	A1	1/2016	Gibbens	

OTHER PUBLICATIONS

Geissele Automatics Bayonet Mount Soldier Systems Daily, Sep.  
29, 2016, [online], [site visited Dec. 16, 2016] at <http://soldiersystems.net/2016/09/29/mdm-geiselle-automatics-bayonet-mount/>.

\* cited by examiner

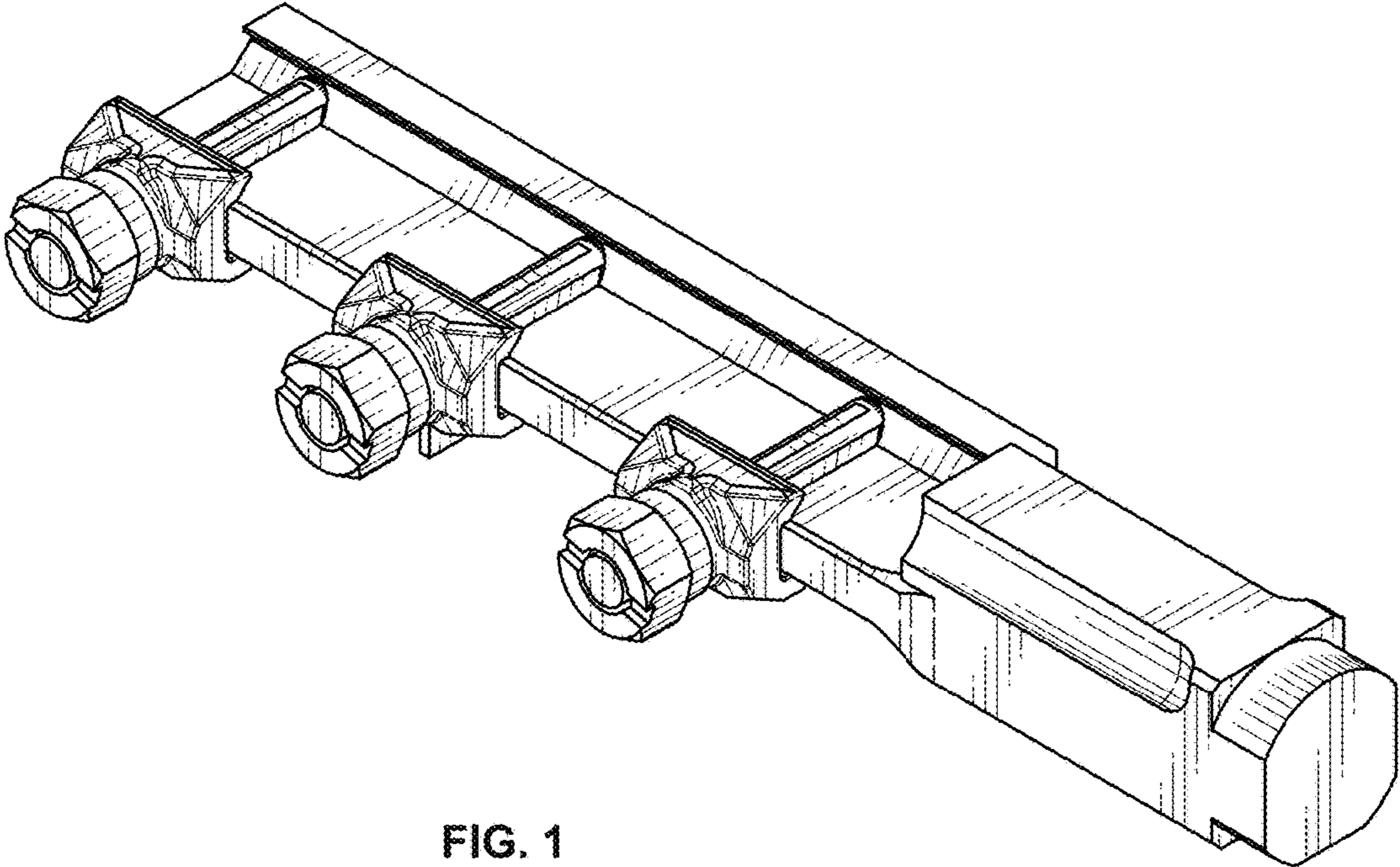


FIG. 1

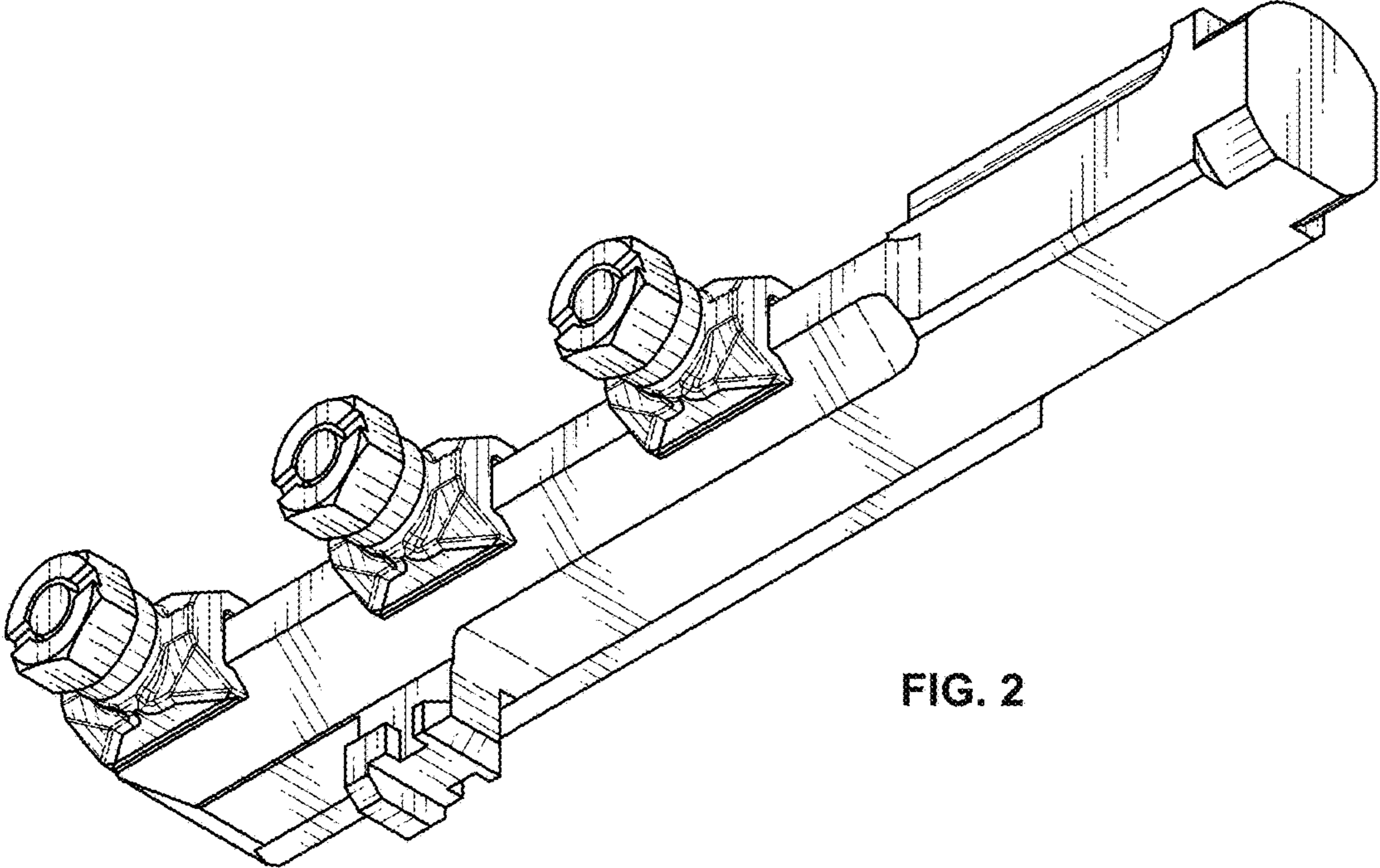


FIG. 2



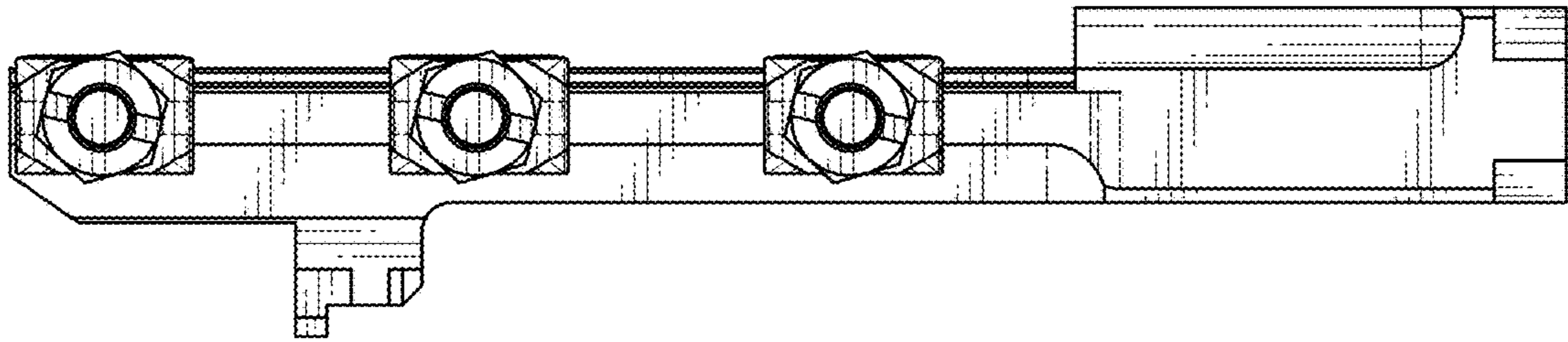


FIG. 3

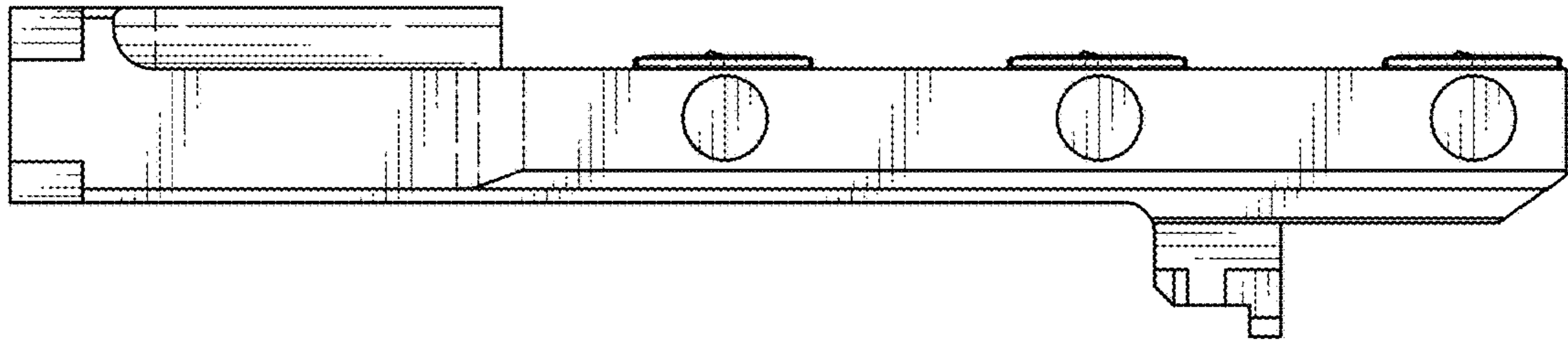


FIG. 4

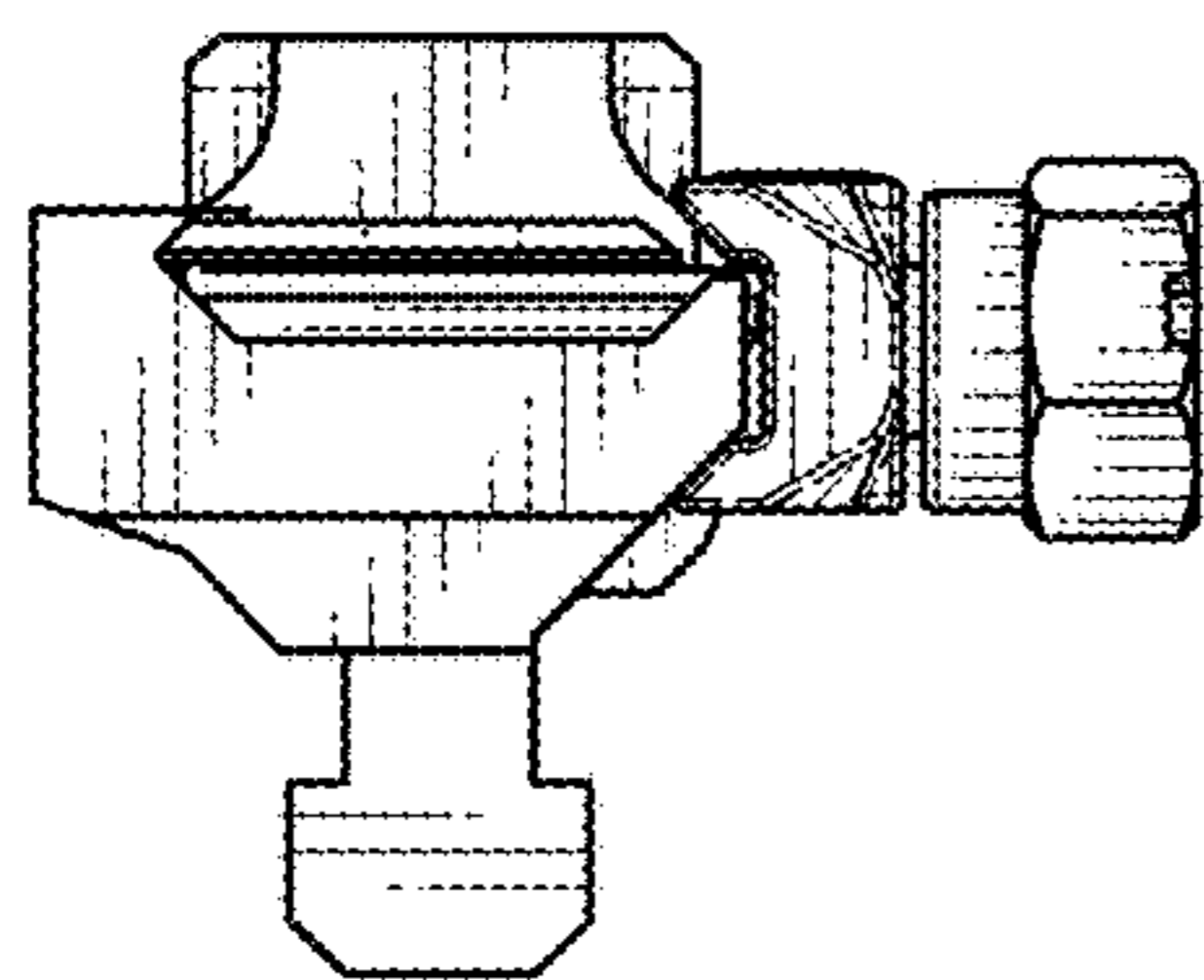


FIG. 5

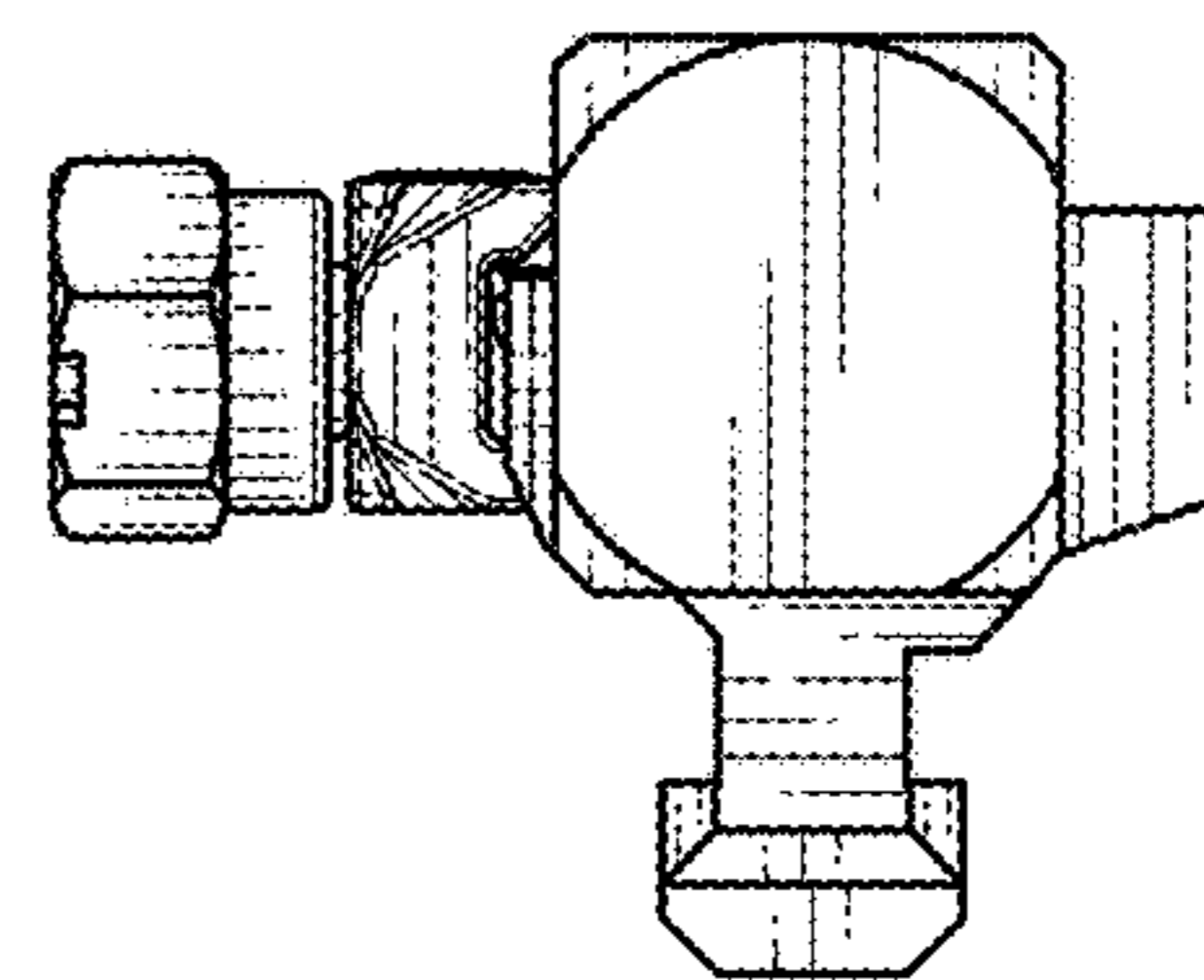


FIG. 6

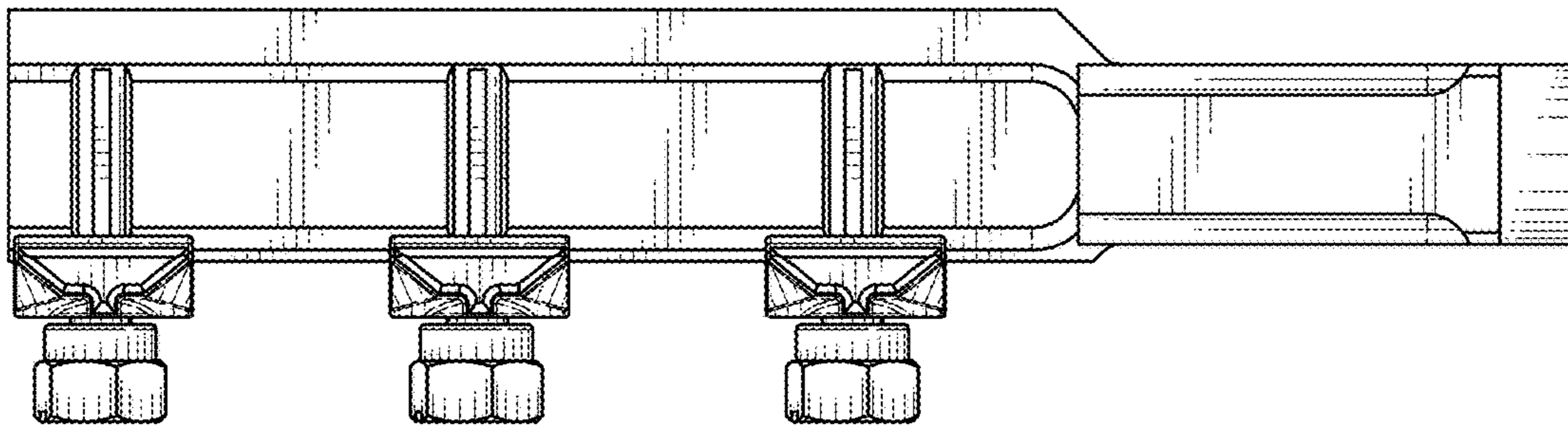


FIG. 7

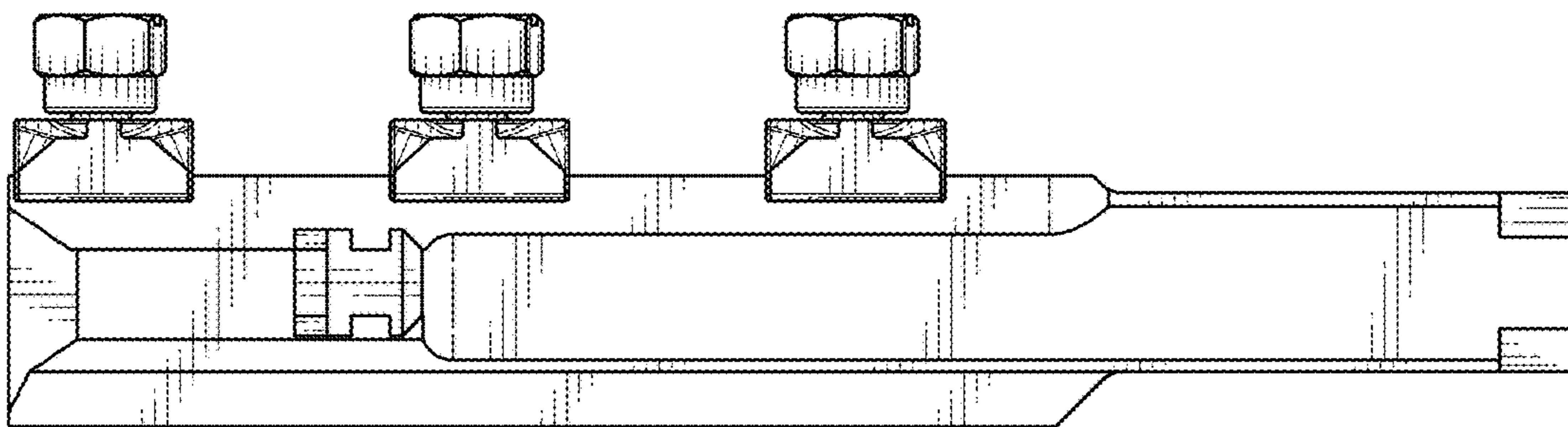


FIG. 8

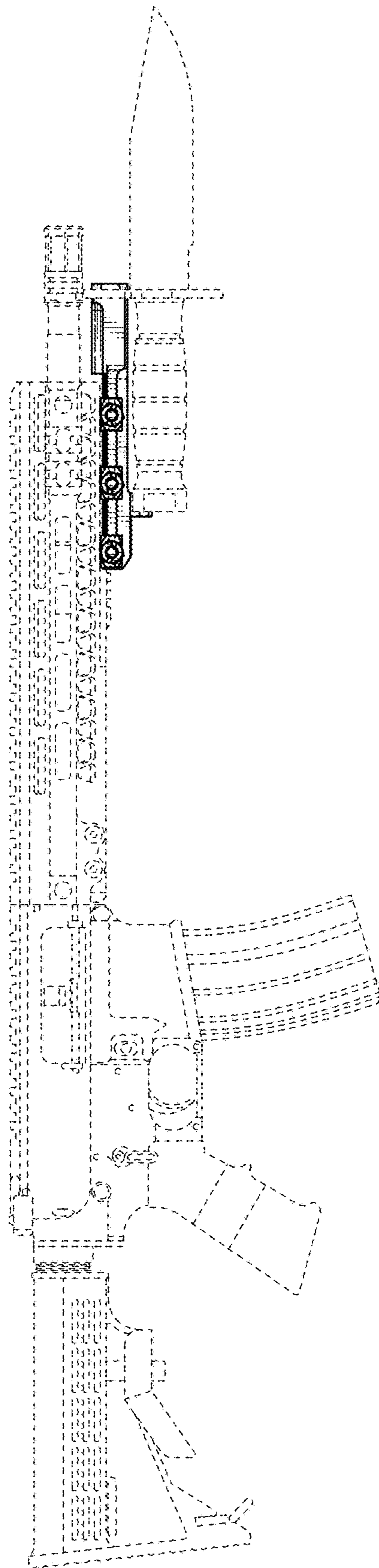


FIG. 9