



US00D803344S

(12) **United States Design Patent**
Huyke-Phillips

(10) **Patent No.:** **US D803,344 S**

(45) **Date of Patent:** **** Nov. 21, 2017**

(54) **MAGNETIC FIELD STRIPPING TOOL**

(71) Applicant: **HOC Events Inc.**, Northridge, CA (US)

(72) Inventor: **George-Michael Huyke-Phillips**,
Northridge, CA (US)

(73) Assignee: **HOC Events, Inc.**, Northridge, CA
(US)

(**) Term: **15 Years**

(21) Appl. No.: **29/564,077**

(22) Filed: **May 10, 2016**

(51) **LOC (10) Cl.** **22-01**

(52) **U.S. Cl.**
USPC **D22/108**

(58) **Field of Classification Search**
USPC D22/103, 108; D21/572-575; D14/418
CPC F41C 23/00; F41C 27/00; F41C 27/06;
F41C 23/10; F41C 23/14; F41C 23/16;
F41C 23/18; F41A 5/18; F41A 5/24;
F41A 21/28

See application file for complete search history.

(56) **References Cited**

U.S. PATENT DOCUMENTS

D521,568 S * 5/2006 Hussaini D14/418
D545,368 S * 6/2007 Cetera D19/193

D639,890 S * 6/2011 Troy, Jr. D22/108
D645,005 S * 9/2011 Menheere D13/171
D741,271 S * 10/2015 Noack D13/174
9,435,595 B2 * 9/2016 Azhocar F41A 11/00
9,612,072 B2 * 4/2017 Hochstrate F41A 11/02

* cited by examiner

Primary Examiner — Michael A. Pratt

(74) *Attorney, Agent, or Firm* — Sanford Astor

(57) **CLAIM**

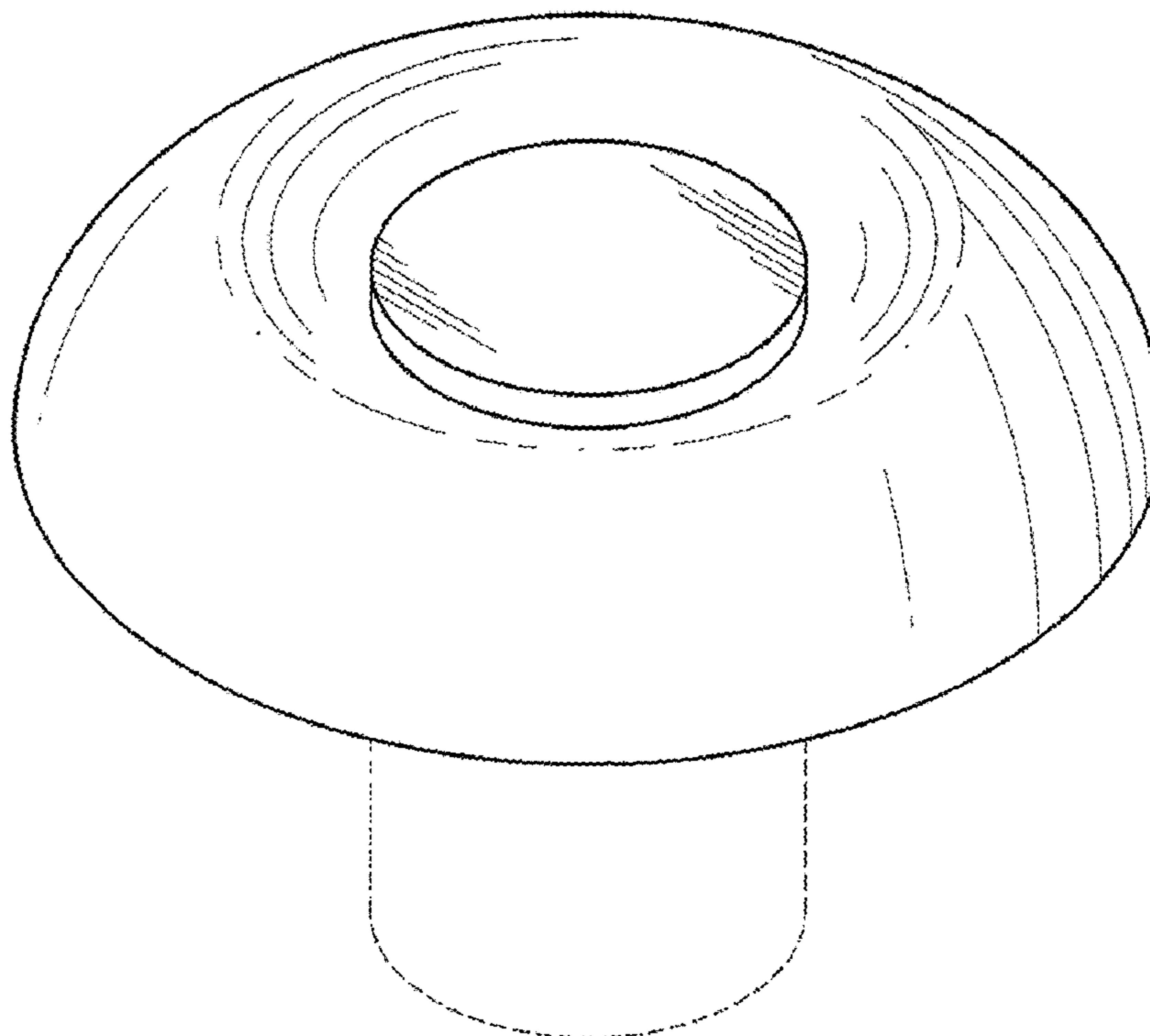
The ornamental design for a magnetic field stripping tool, as shown and described.

DESCRIPTION

FIG. 1 is a perspective view of the magnetic field stripping tool of the invention;
FIG. 2 is a side elevation view of the magnetic field stripping tool of FIG. 1;
FIG. 3 is a top elevation of the magnetic field stripping tool of FIG. 1; and,
FIG. 4 is a bottom elevation of the magnetic field stripping tool of FIG. 1.

The broken lines shown in the drawings are included for the purpose of illustrating environmental structure and form no part of the claimed design.

1 Claim, 4 Drawing Sheets



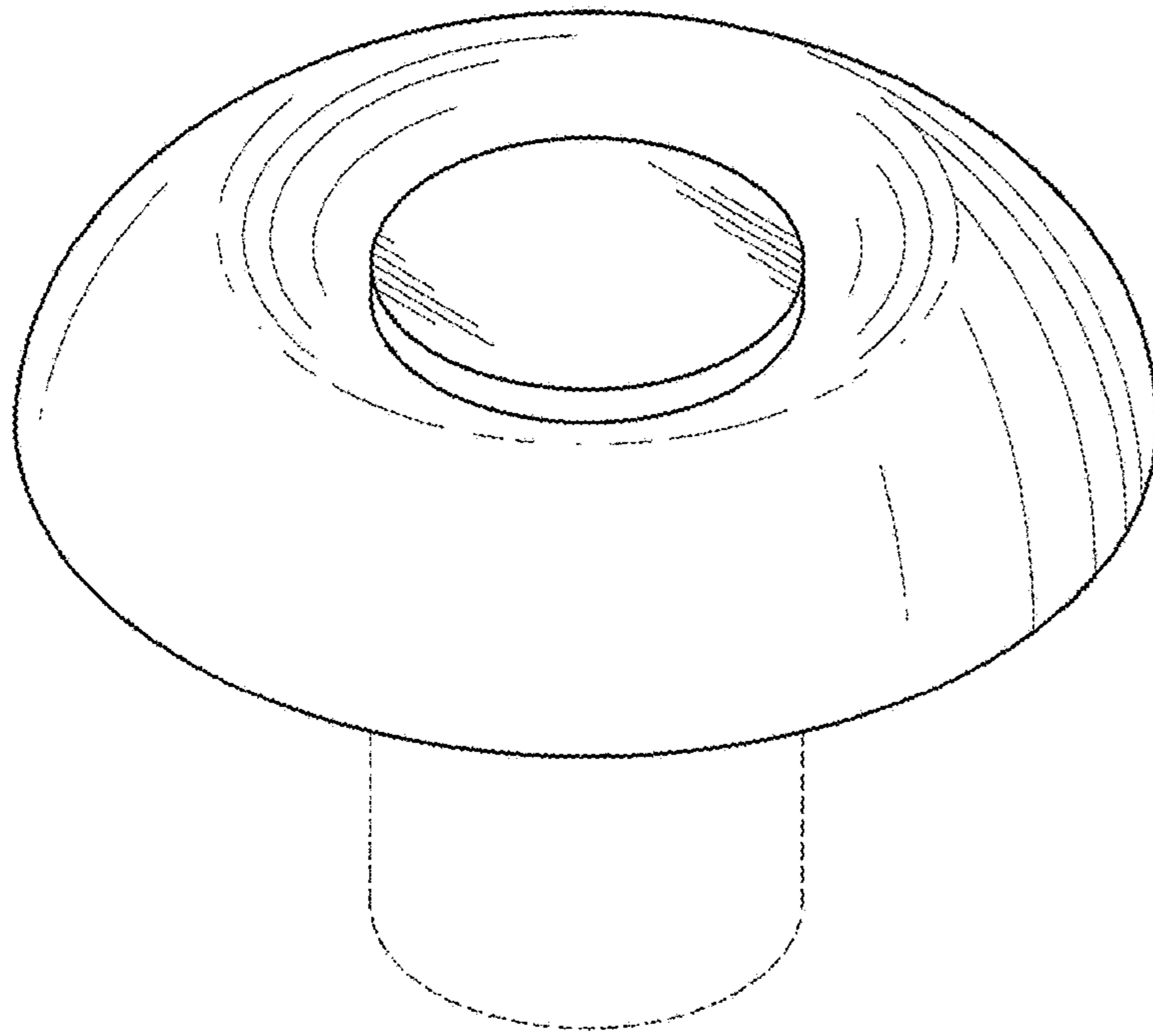


FIG. 1

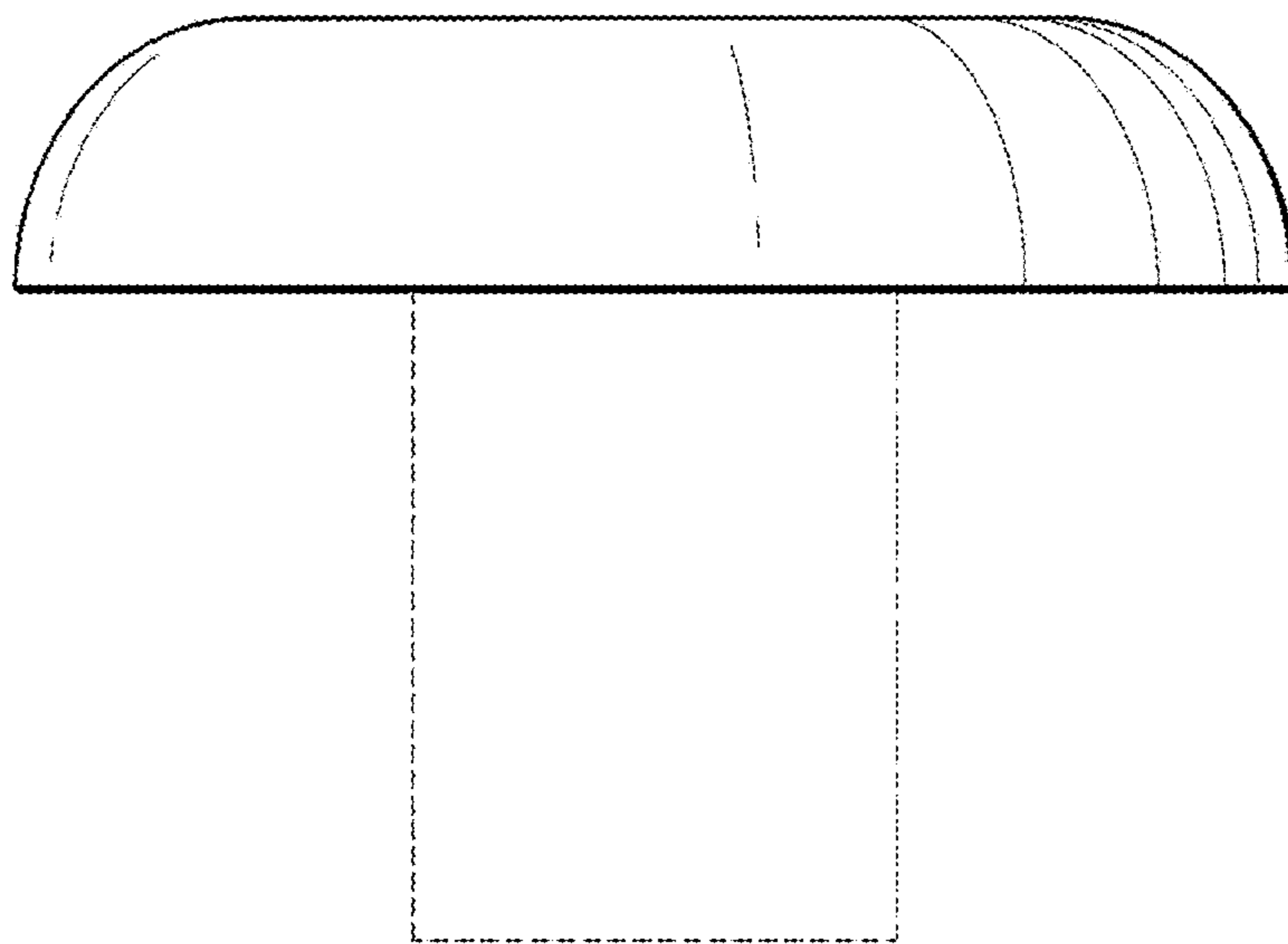


FIG. 2

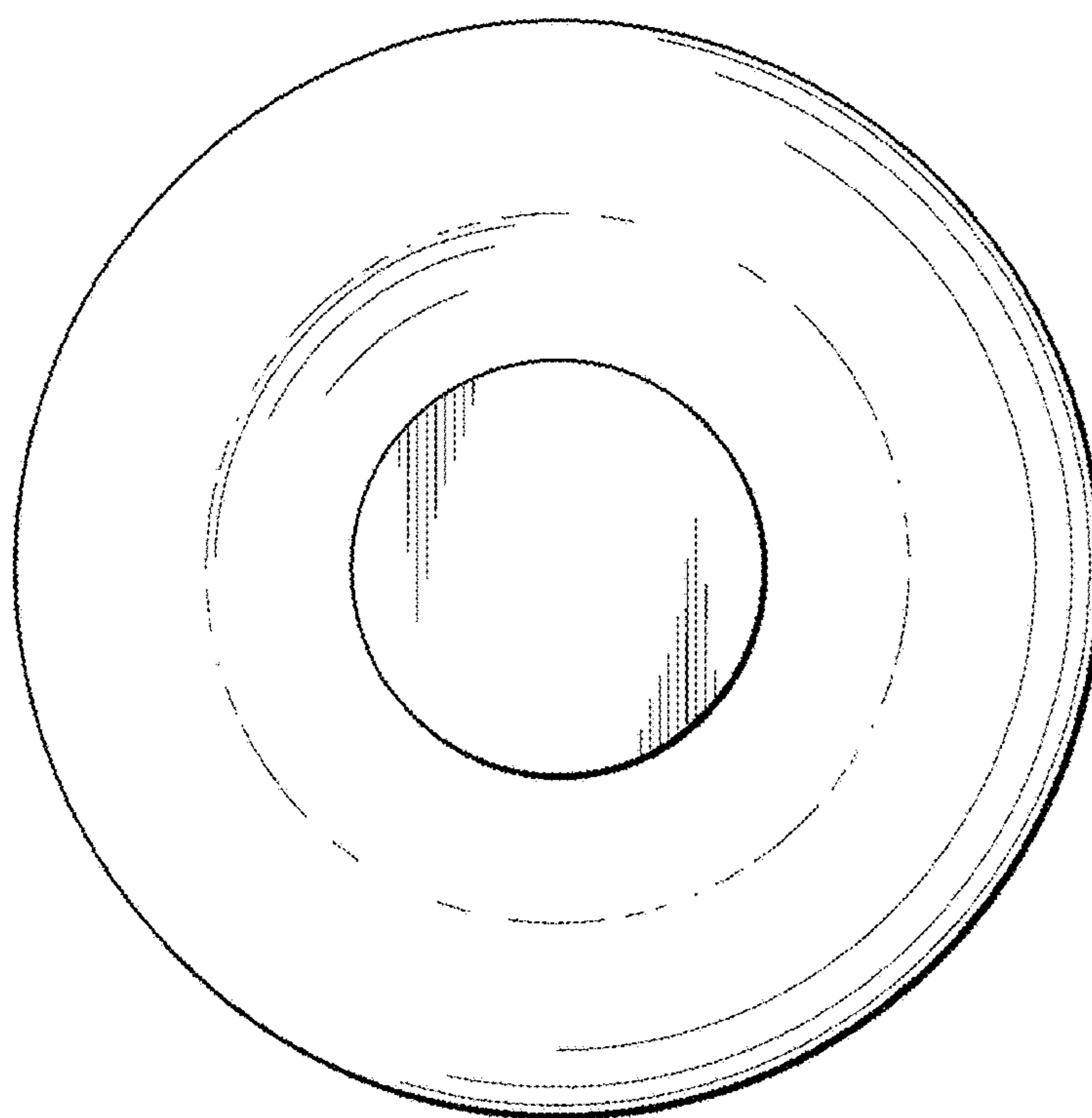


FIG. 3

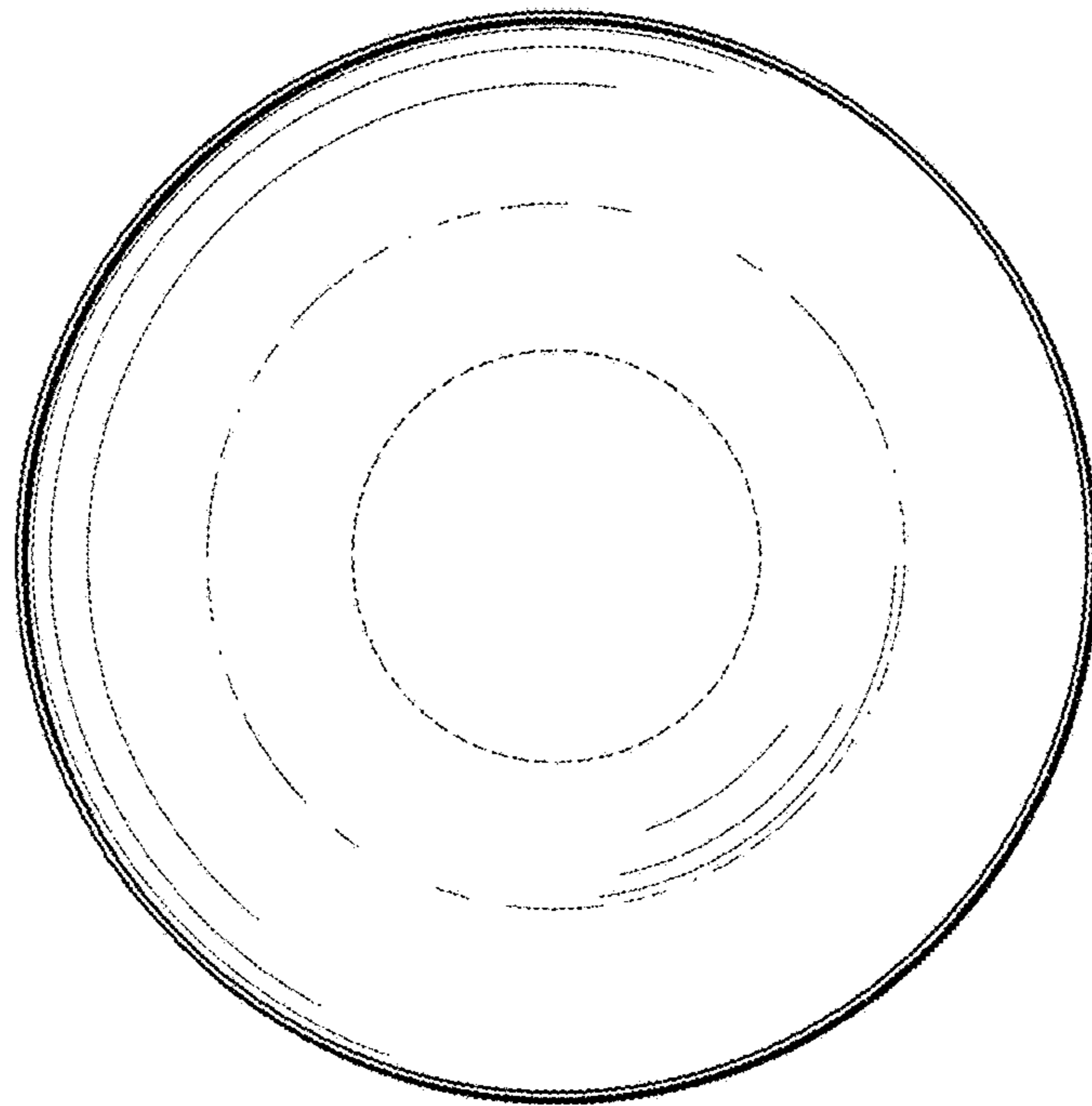


FIG. 4