



US00D803342S

(12) **United States Design Patent** (10) **Patent No.:** **US D803,342 S**  
**Goff** (45) **Date of Patent:** **\*\* Nov. 21, 2017**

(54) **ANVIL PLATE FOR USE WITH AN IMPACT BULLET PULLER**

(71) Applicant: **Frank Goff**, Hurricane, UT (US)

(72) Inventor: **Frank Goff**, Hurricane, UT (US)

(\*\*) Term: **15 Years**

(21) Appl. No.: **29/560,194**

(22) Filed: **Apr. 4, 2016**

(51) **LOC (10) Cl.** ..... **22-01**

(52) **U.S. Cl.**  
USPC ..... **D22/108**; D22/199

(58) **Field of Classification Search**  
USPC ..... D22/108, 199; D8/300, 310, 355, 373  
CPC .... F42B 33/001; F42B 33/0207; F42B 5/285;  
F42B 33/04; F42B 33/004; F42B 33/005;  
F42B 3/0285

See application file for complete search history.

(56) **References Cited**

U.S. PATENT DOCUMENTS

2,729,134	A *	1/1956	Stanton, Jr. ....	F16B 31/02 411/6
5,202,529	A *	4/1993	Shields .....	F42B 33/004 86/23
5,789,695	A *	8/1998	Scherer .....	F42B 33/06 86/1.1
6,347,489	B1 *	2/2002	Marshall, Jr. ....	E02D 27/00 248/354.5
6,397,447	B1 *	6/2002	Christopherson ...	B25B 27/0028 254/129
6,912,943	B2 *	7/2005	Bolhassani .....	F42B 5/24 86/19
7,395,746	B2 *	7/2008	Bond .....	F42B 33/001 86/24

7,600,305	B2 *	10/2009	Ploeger .....	B25B 27/0028 254/131
7,650,825	B1 *	1/2010	Lee .....	B23B 5/165 86/19.7
8,661,758	B2 *	3/2014	Longhenry .....	E04G 23/0203 264/46.4
9,079,621	B1 *	7/2015	Casto, Jr. ....	B62D 25/188
9,631,335	B2 *	4/2017	Reusing .....	E02D 5/223
9,631,907	B2 *	4/2017	Burrow .....	F42B 5/307
9,637,940	B2 *	5/2017	Naylor .....	E04G 23/0203
2017/0100110	A1 *	4/2017	Klein .....	A61B 17/0057

\* cited by examiner

*Primary Examiner* — Michael A Pratt

(74) *Attorney, Agent, or Firm* — Gallian, Welker & Beckstom, L.C.; Robert A. Gurr

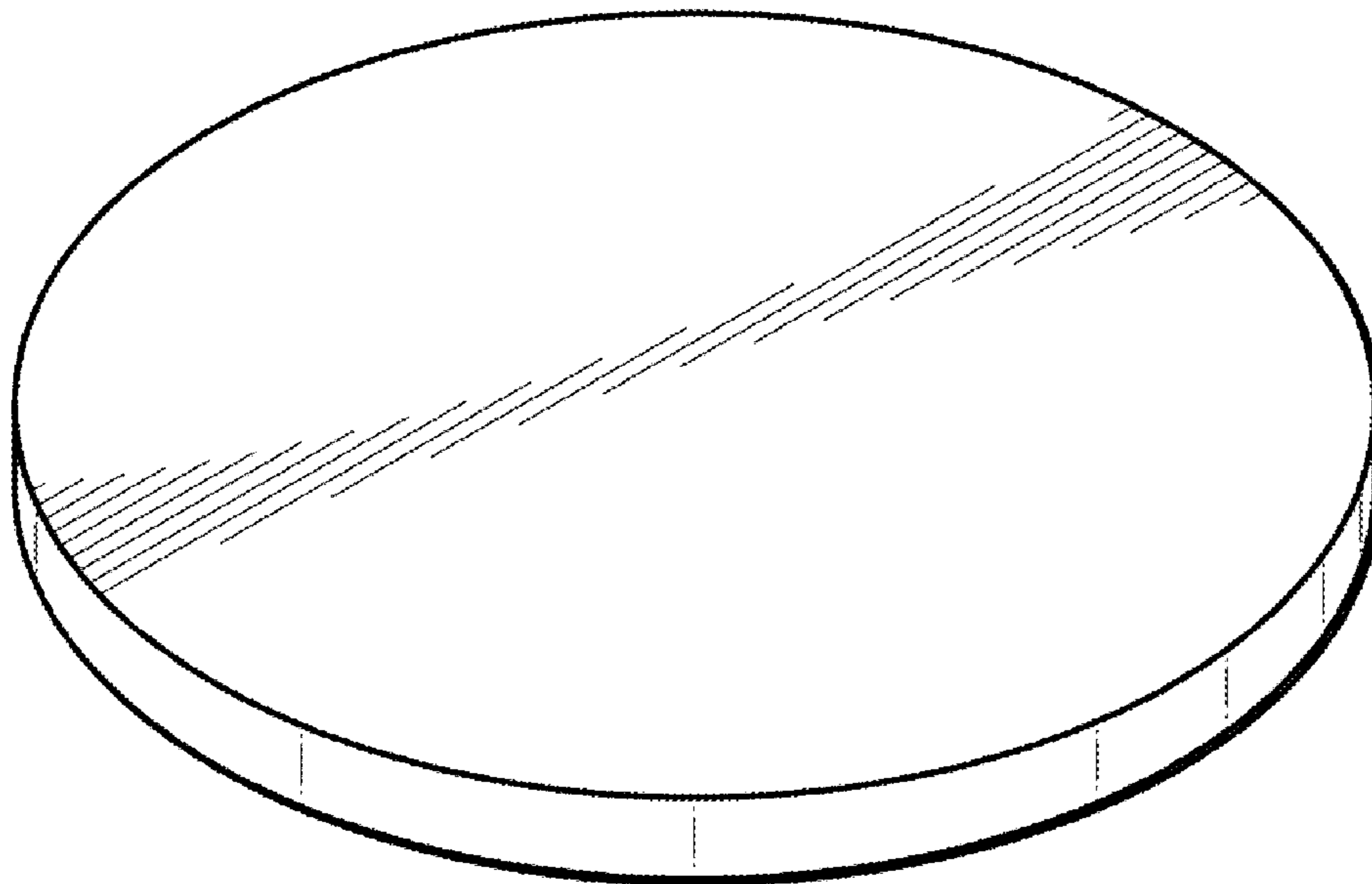
(57) **CLAIM**

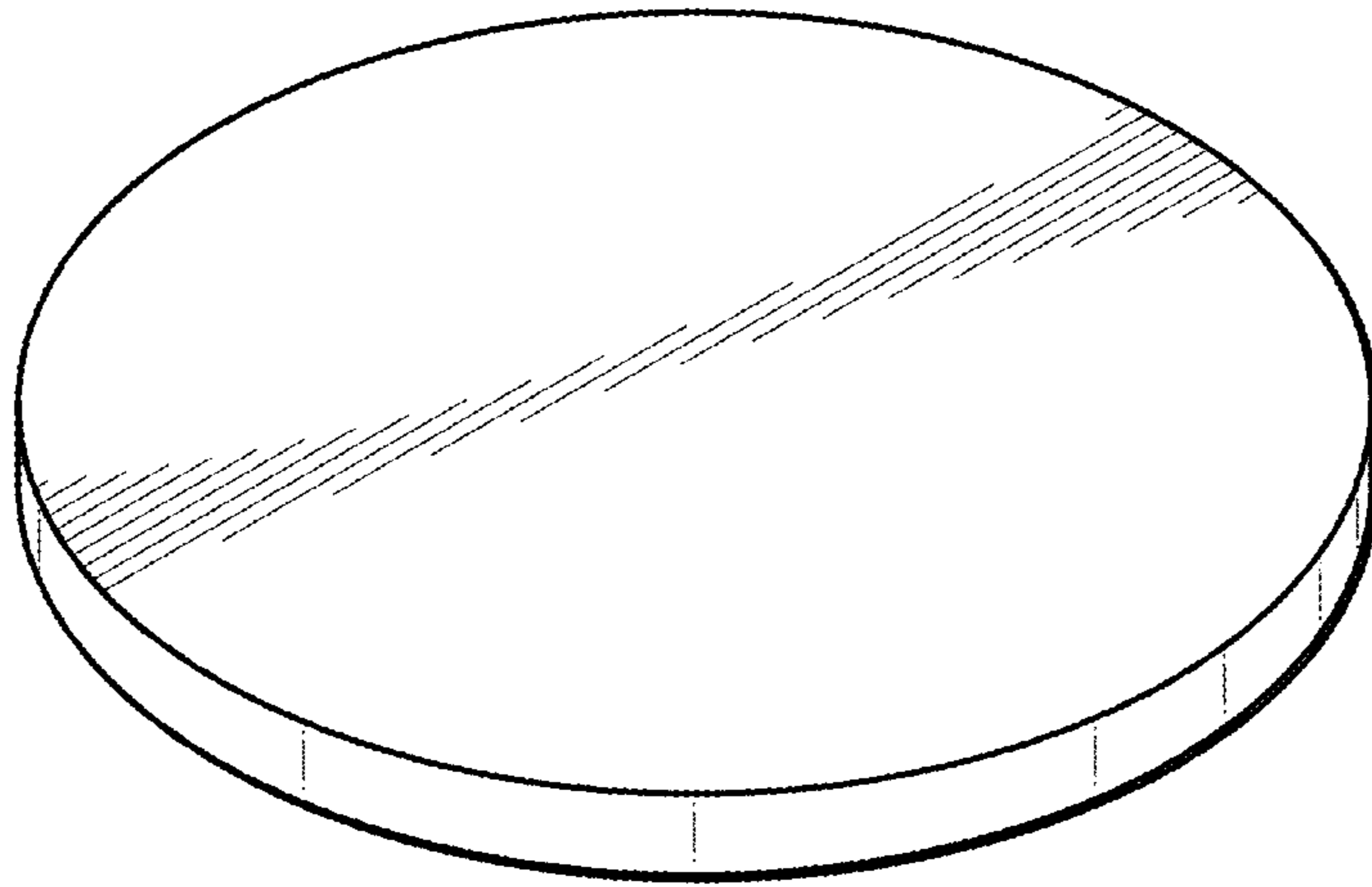
The ornamental design for an anvil plate for use with an impact bullet puller, as shown and described.

**DESCRIPTION**

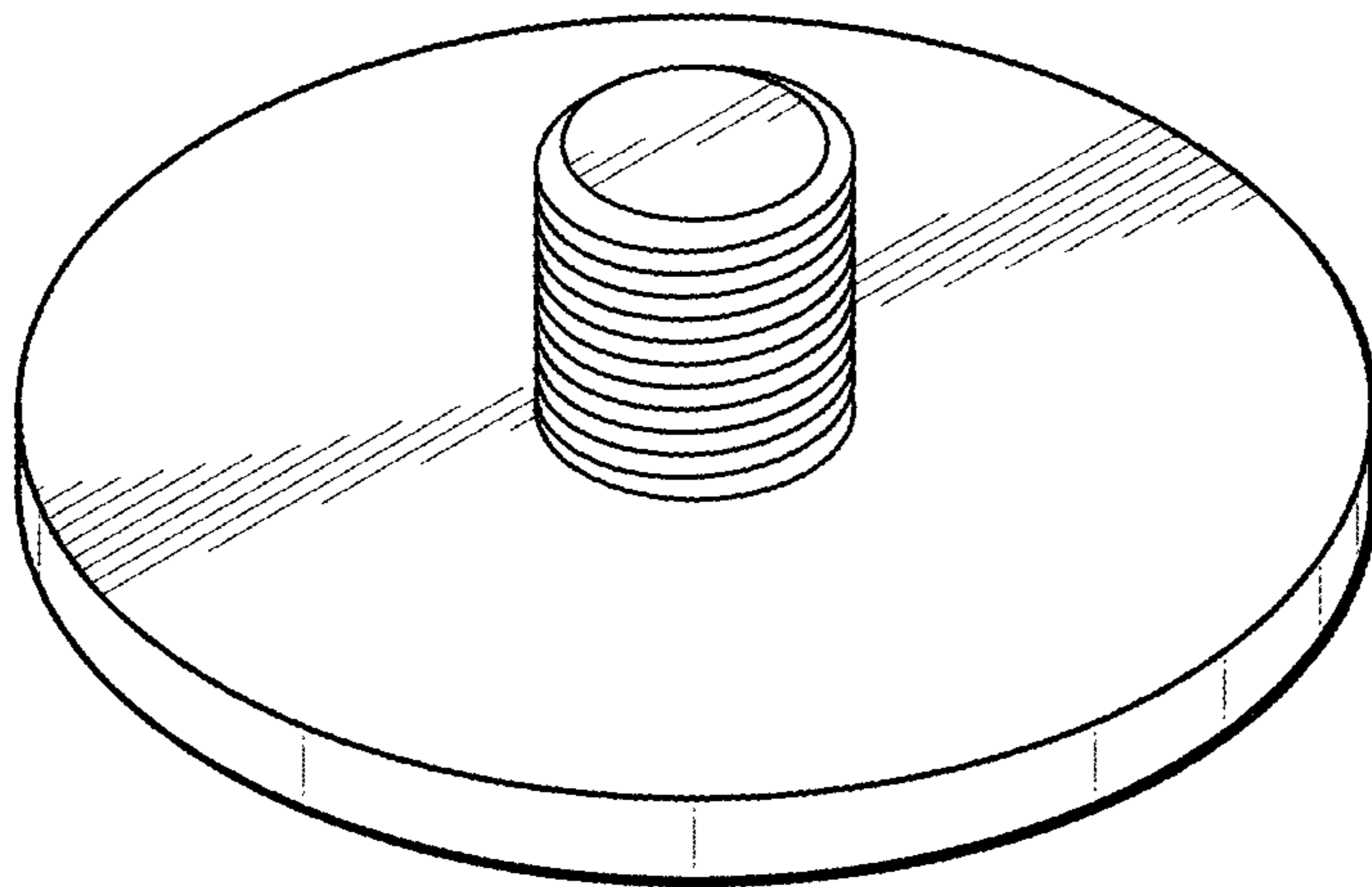
FIG. 1 is a top perspective view of the anvil plate for use with an impact bullet puller;  
 FIG. 2 is a bottom perspective view of the anvil plate for use with an impact bullet puller;  
 FIG. 3 is bottom plan view of the anvil plate for use with an impact bullet puller;  
 FIG. 4 is a top plan view of the anvil plate for use with an impact bullet puller;  
 FIG. 5 is a side elevation view of the anvil plate for use with an impact bullet puller; and,  
 FIG. 6 is a top perspective view of the anvil plate for use with an impact bullet puller on a reloading press.  
 The broken lines shown in the drawings are for the purpose of illustrating portions of the article that form no part of the claimed design.

**1 Claim, 3 Drawing Sheets**

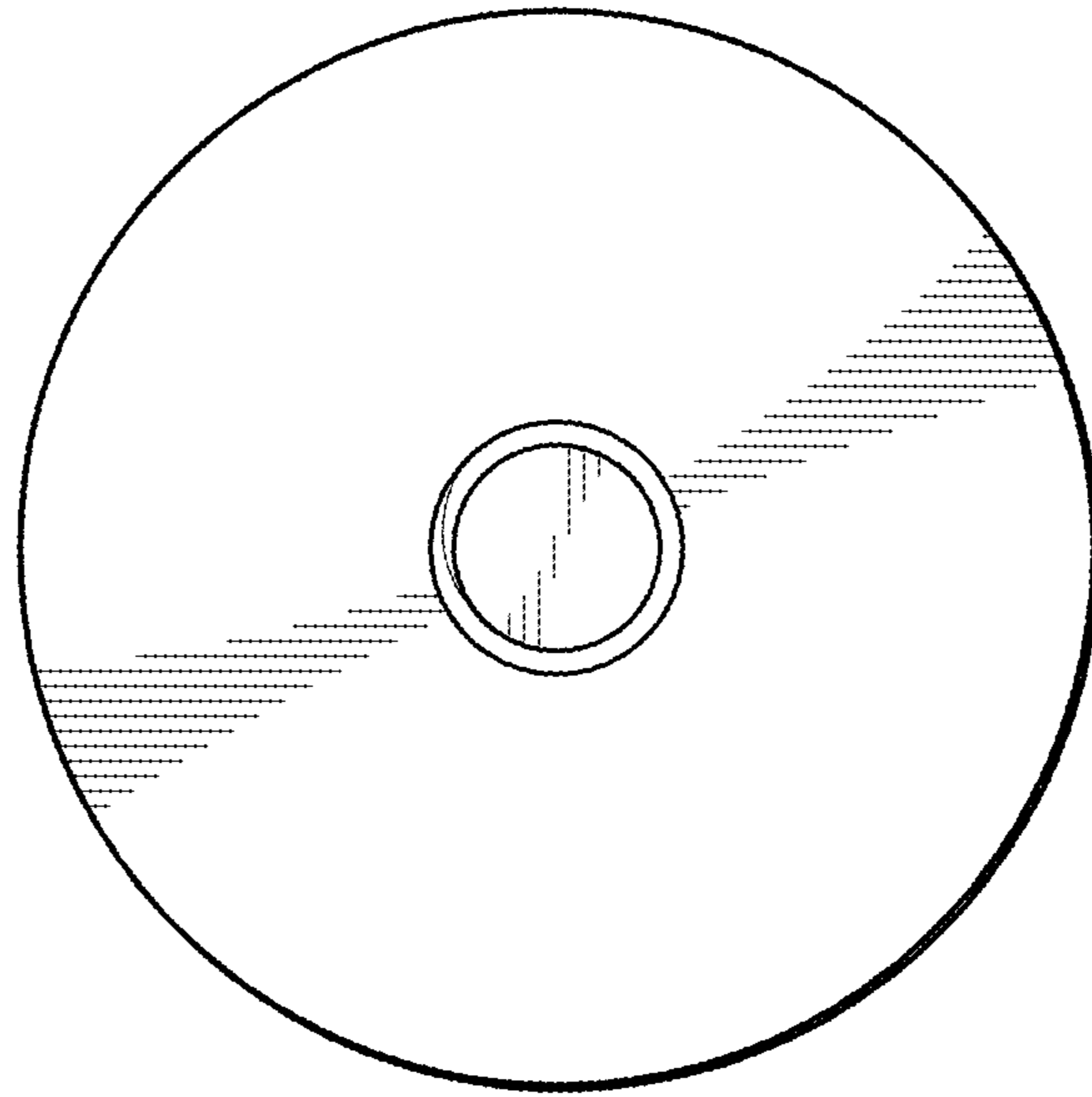




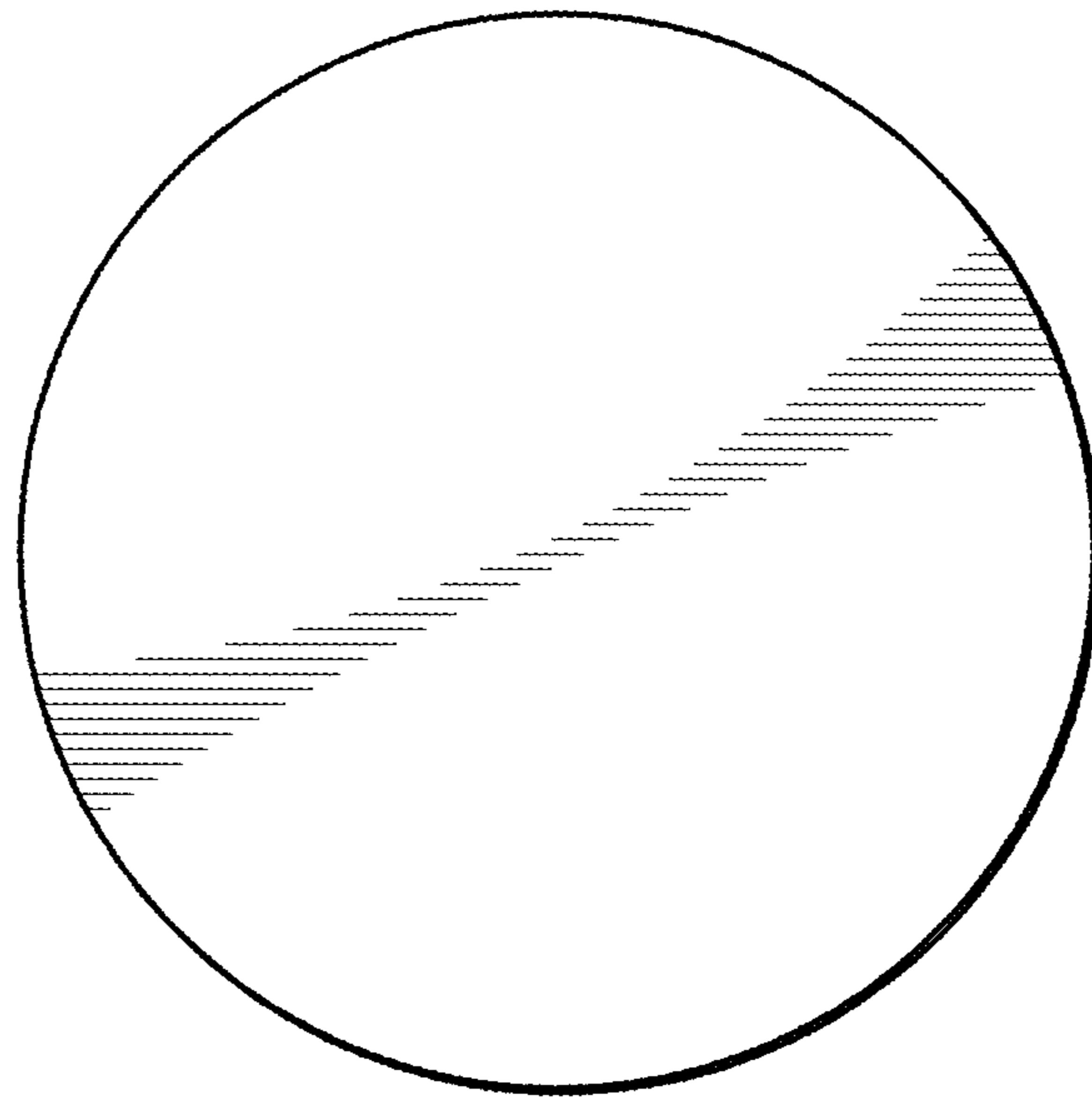
**FIG. 1**



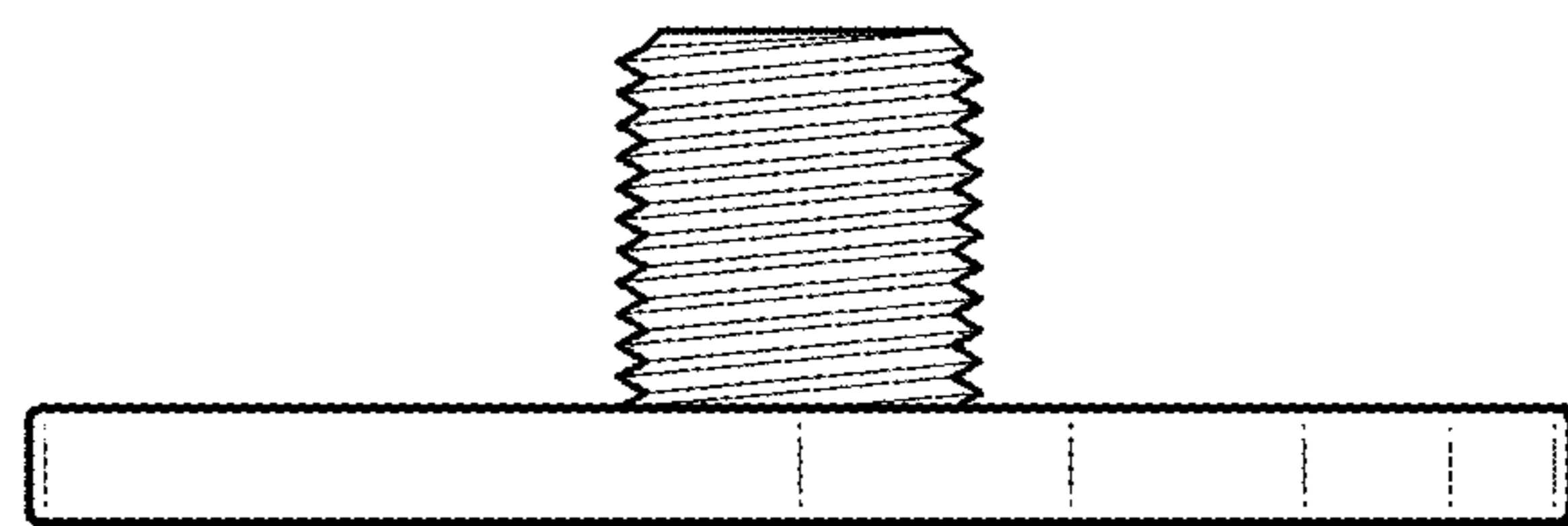
**FIG. 2**



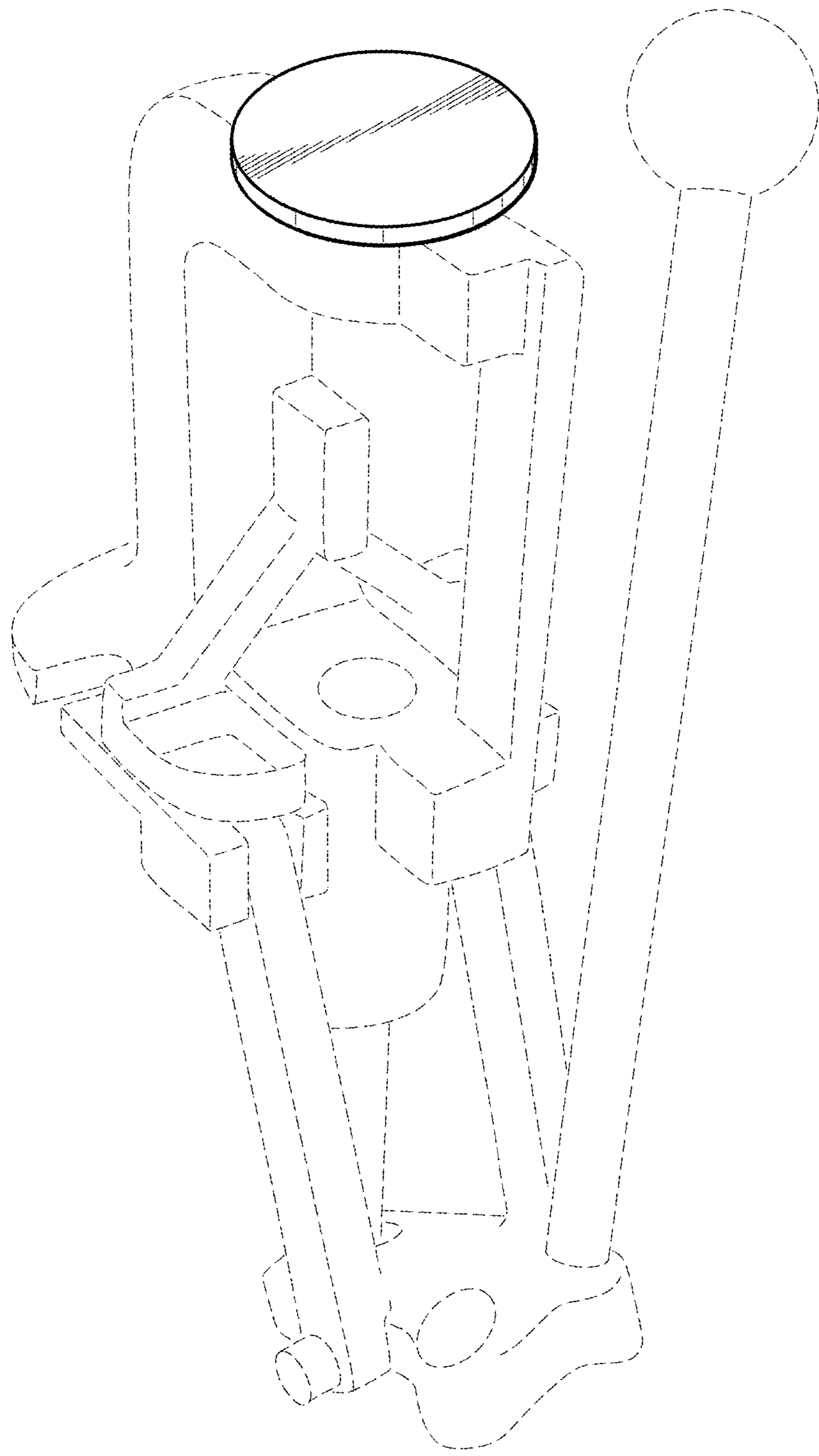
**FIG. 3**



**FIG. 4**



**FIG. 5**



**FIG. 6**