



US00D803340S

(12) **United States Design Patent** (10) **Patent No.:** **US D803,340 S**
Scherba (45) **Date of Patent:** **** Nov. 21, 2017**

(54) **INFLATABLE OBSTACLE COURSE**
(71) Applicant: **Scherba Industries, Inc.**, Brunswick, OH (US)
(72) Inventor: **Robert J. Scherba**, Brunswick, OH (US)
(73) Assignee: **Scherba Industries, Inc.**, Brunswick, OH (US)

D437,380 S * 2/2001 Gourchounian D21/835
D439,946 S * 4/2001 Gourchounian D21/835
D440,622 S * 4/2001 Gourchounian D21/820
D441,416 S * 5/2001 Gourchounian D21/820
D460,141 S * 7/2002 Gourchounian D21/820
6,565,405 B2 * 5/2003 Hsu A63B 5/11
446/220
D478,955 S * 8/2003 Chen D21/797
D556,288 S * 11/2007 Robinson D21/815
D556,849 S * 12/2007 Ferraro, Sr. D21/815
D592,270 S * 5/2009 Cobb D21/835
D595,802 S * 7/2009 Boulton D21/835

(**) Term: **15 Years**

(21) Appl. No.: **29/553,629**

(22) Filed: **Feb. 3, 2016**

(51) **LOC (10) Cl.** **21-03**

(52) **U.S. Cl.**
USPC **D21/814; D21/835**

(58) **Field of Classification Search**
USPC D21/811, 814, 818-827, 835, 836, 798, D21/800
CPC . E04H 15/20; E04H 15/324; E04H 2015/201; E04H 2015/204; E04H 2015/206; A45B 19/02

See application file for complete search history.

(56) **References Cited**

U.S. PATENT DOCUMENTS

D365,400 S * 12/1995 Scherba D25/17
5,555,679 A * 9/1996 Scherba E04H 15/20
135/126
D382,618 S * 8/1997 Gift D21/814
5,678,357 A * 10/1997 Rubio E04H 15/20
40/212
D388,494 S * 12/1997 Liu D21/839
D389,217 S * 1/1998 Rubio D21/814
D393,686 S * 4/1998 Coddington, Jr. D21/814
D422,667 S * 4/2000 Lau D21/814
D423,624 S * 4/2000 Motosko D21/814
D437,022 S * 1/2001 Gourchounian D21/835
D437,023 S * 1/2001 Gourchounian D21/835

(Continued)

Primary Examiner — Mitchell Siegel

(74) *Attorney, Agent, or Firm* — Fay Sharpe LLP

(57) **CLAIM**

The ornamental design for an inflatable obstacle course, as shown and described.

DESCRIPTION

FIG. 1 is a perspective view of an inflatable obstacle course showing my new design;

FIG. 2 is a side view of the inflatable obstacle course of FIG. 1;

FIG. 3 is a top plan view of the inflatable obstacle course of FIG. 1;

FIG. 4 is a front view thereof of the inflatable obstacle course of FIG. 1;

FIG. 5 is a rear view thereof of the inflatable obstacle course of FIG. 1;

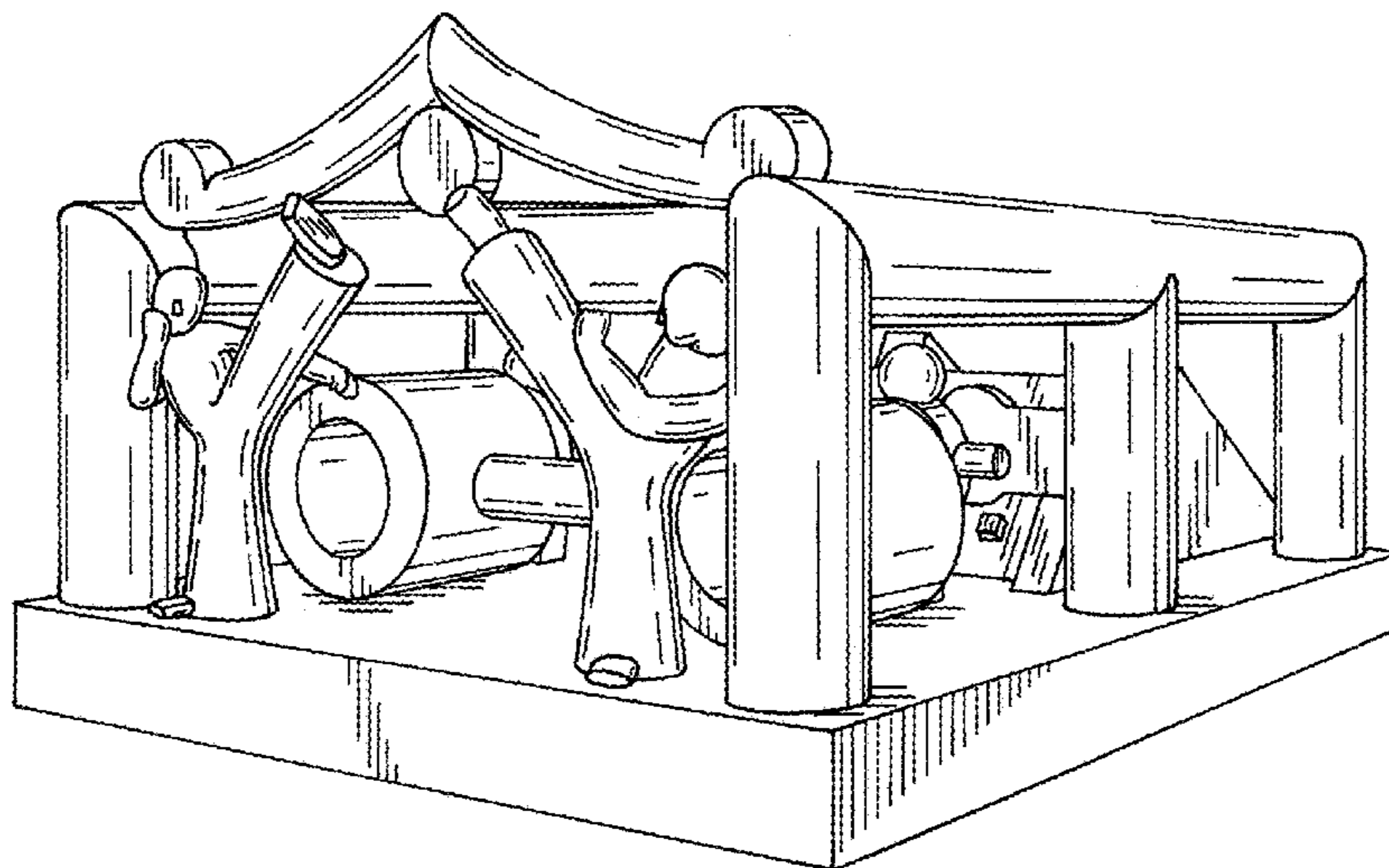
FIG. 6 is a cross-sectional view of the inflatable obstacle course along line 6-6 of FIG. 1;

FIG. 7 is a cross-sectional view of the inflatable obstacle course along line 7-7 of FIG. 1;

FIG. 8 is a cross-sectional view of the inflatable obstacle course along line 8-8 of FIG. 1; and,

FIG. 9 is a cross-sectional view of the inflatable obstacle course along line 9-9 of FIG. 1.

1 Claim, 6 Drawing Sheets



(56)

References Cited

U.S. PATENT DOCUMENTS

D600,769 S * 9/2009 Xiao D21/820
D600,770 S * 9/2009 Xiao D21/820
7,611,427 B1 * 11/2009 Cline A63B 5/11
473/459
D627,848 S * 11/2010 Cline D21/814
7,878,877 B2 * 2/2011 Scherba A63G 9/00
446/220
D680,184 S * 4/2013 O'Rourke D21/835
D746,395 S * 12/2015 Rademacher D21/835
D762,800 S * 8/2016 Scherba D21/811
D762,801 S * 8/2016 Scherba D21/811

* cited by examiner

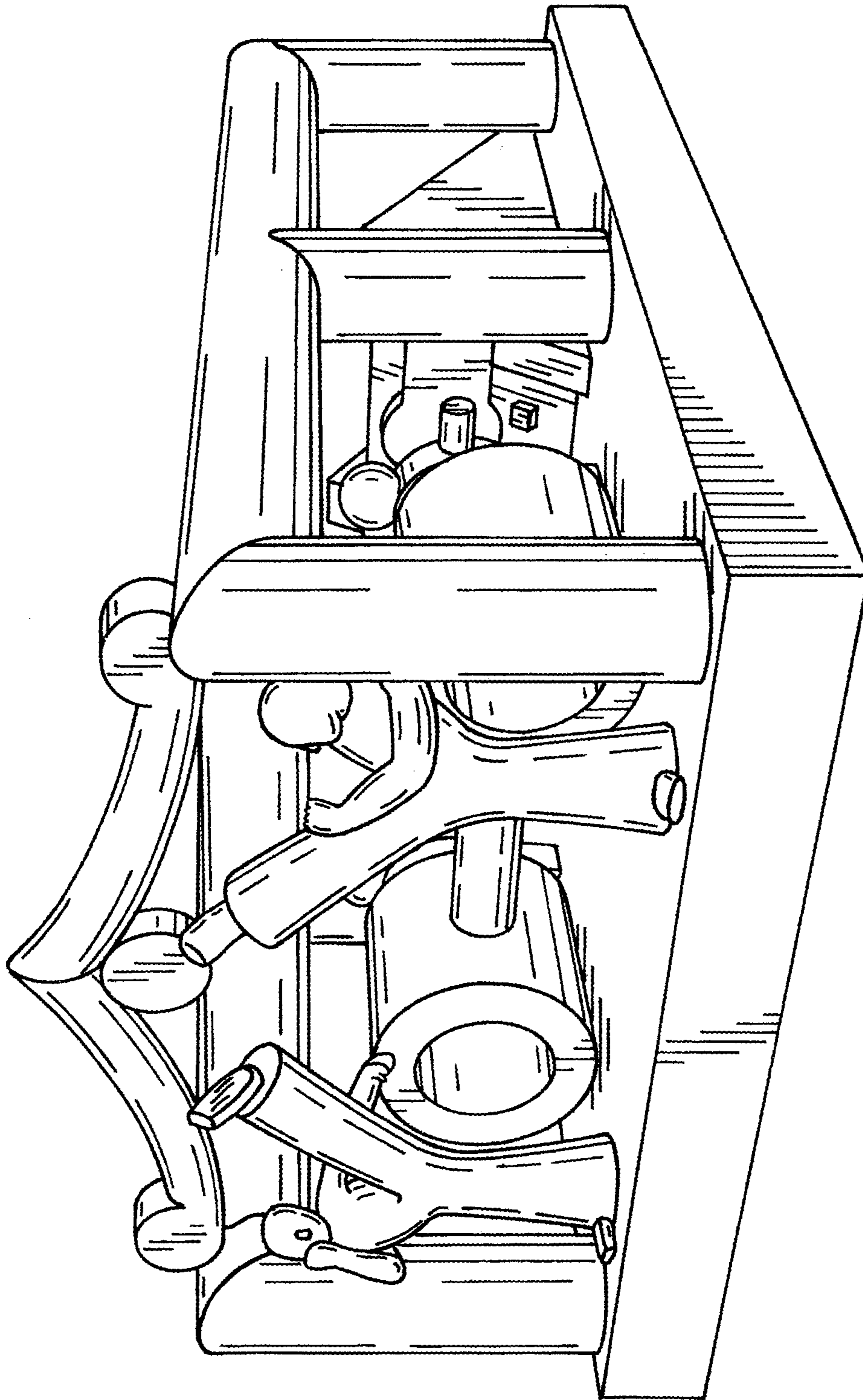


FIG. 1

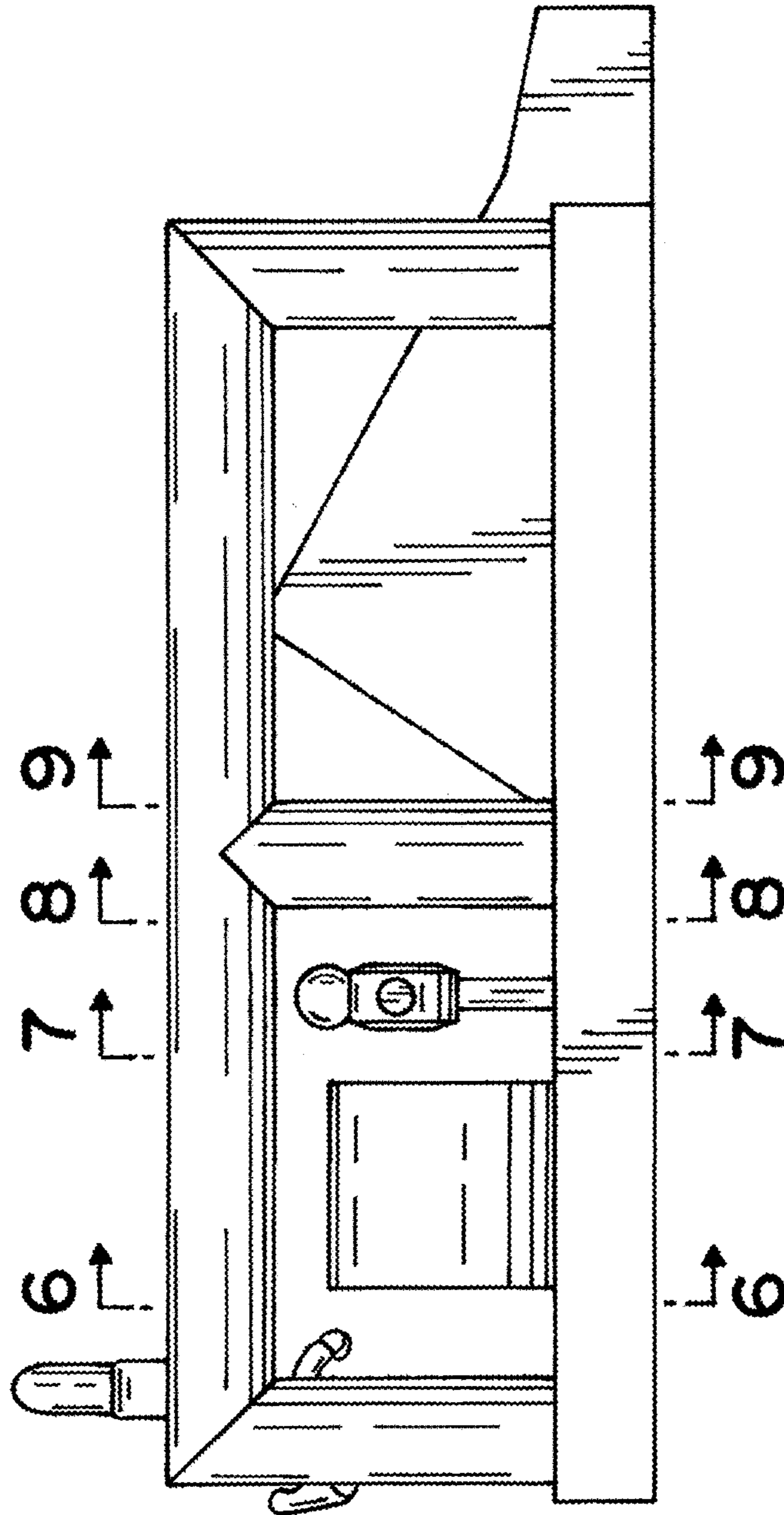


FIG. 2

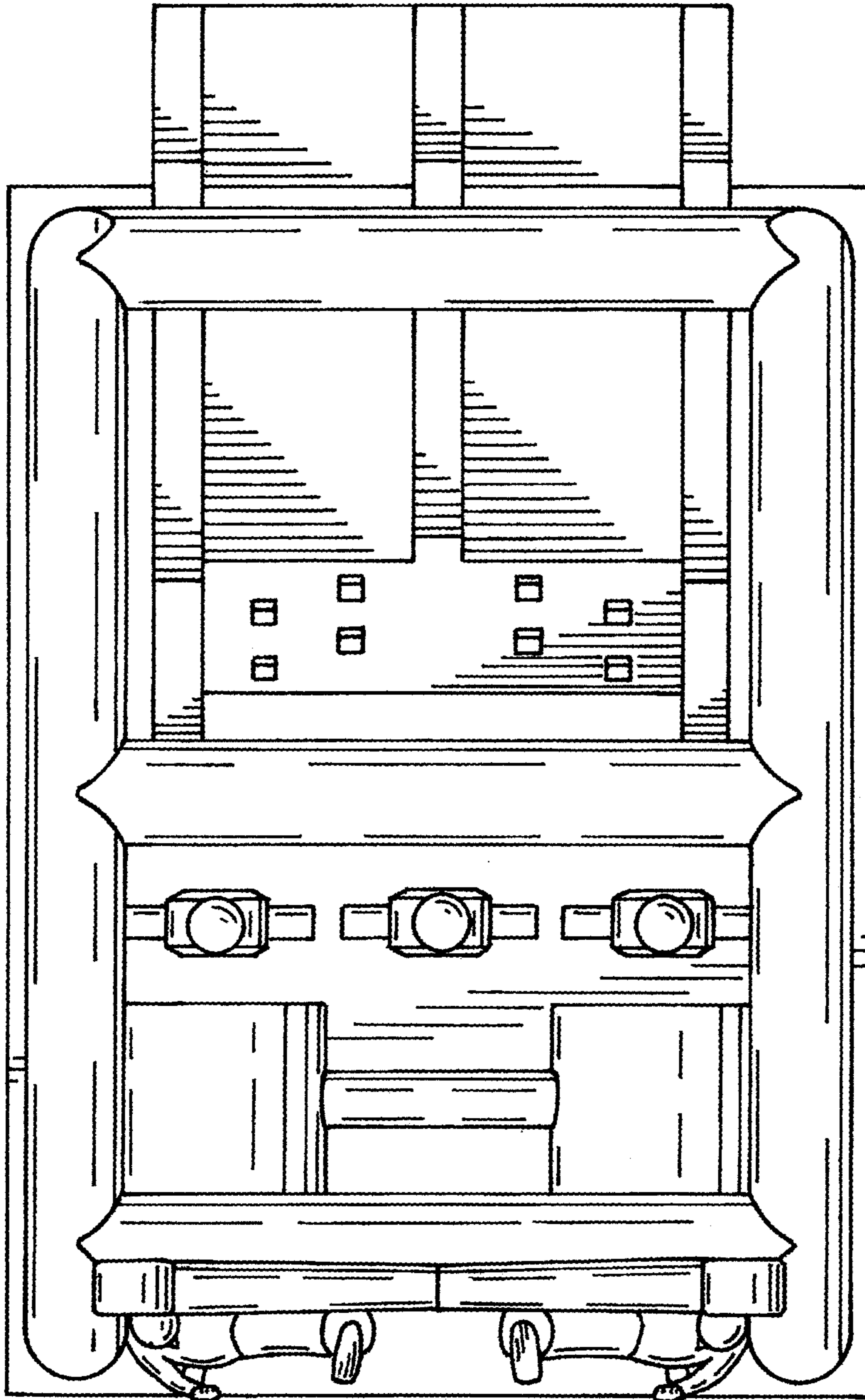


FIG. 3

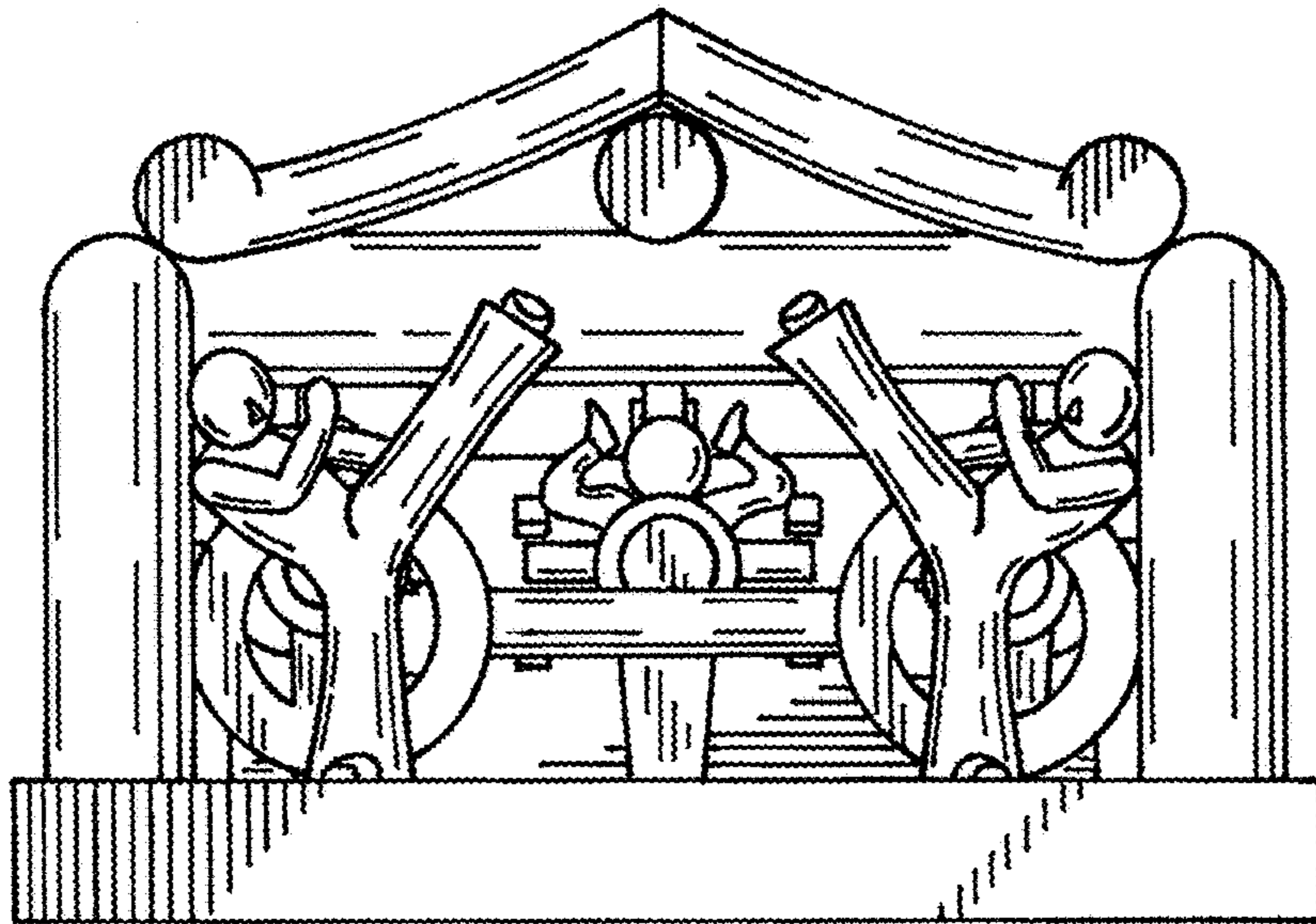


FIG. 4

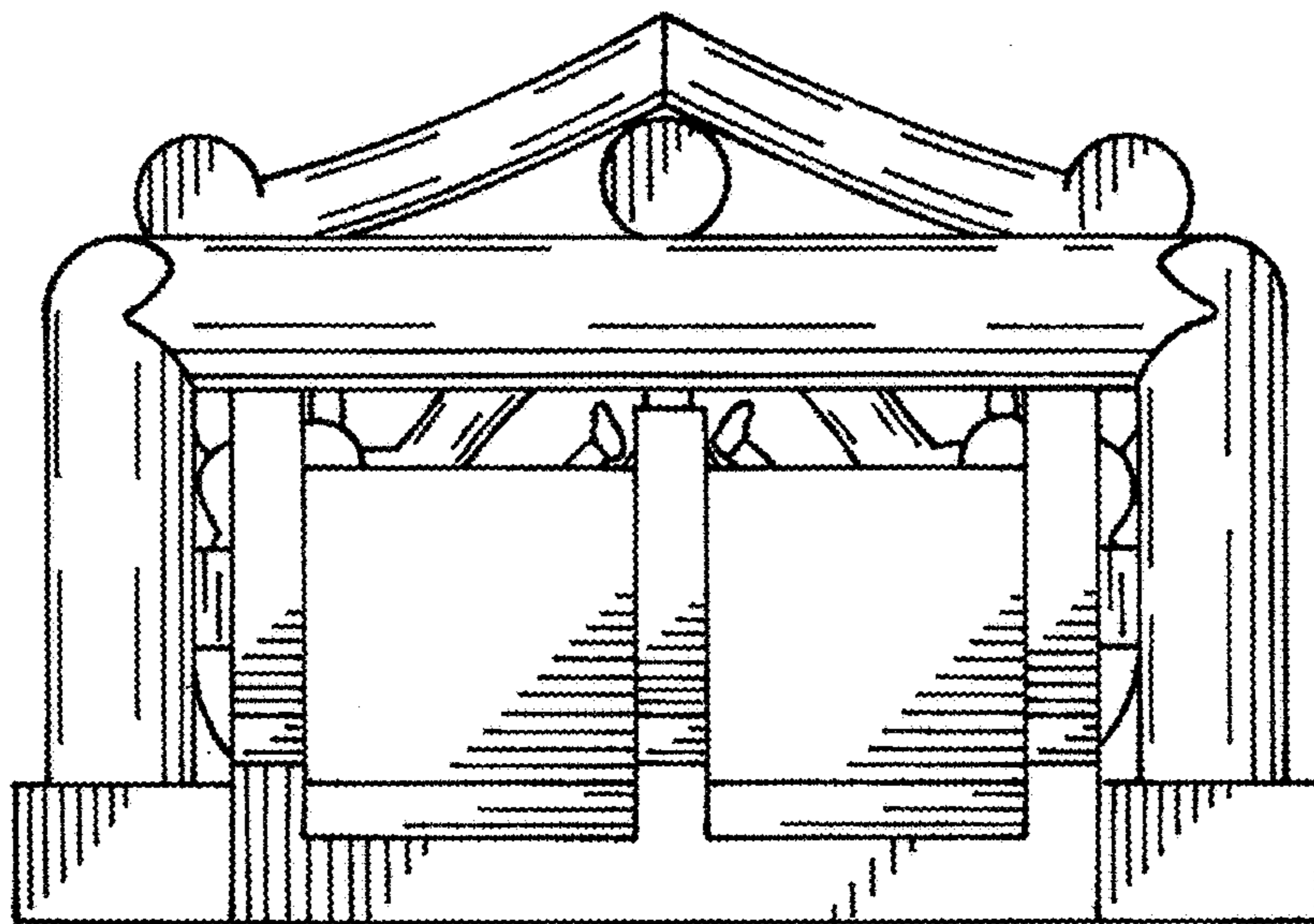


FIG. 5

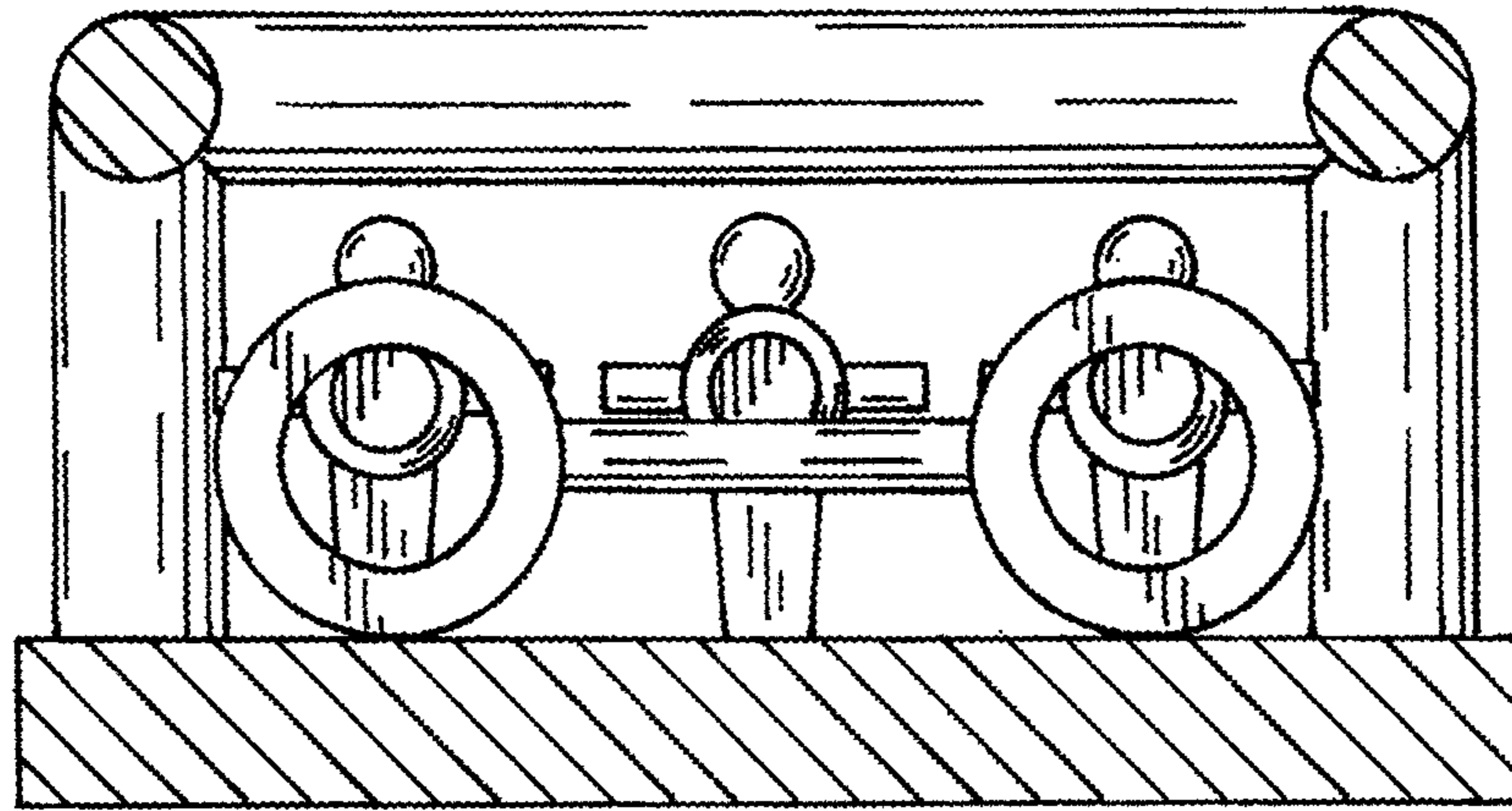


FIG. 6

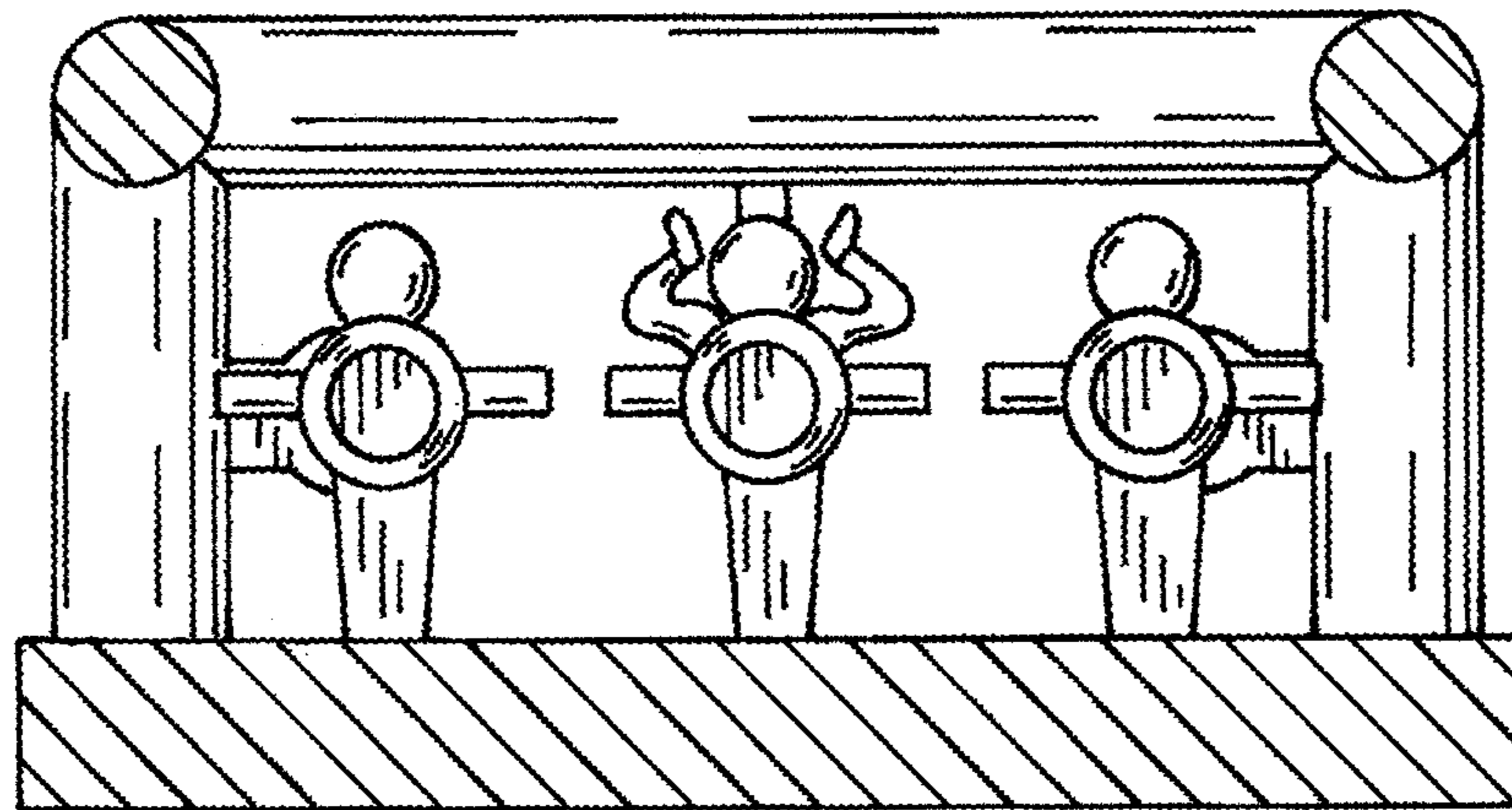


FIG. 7

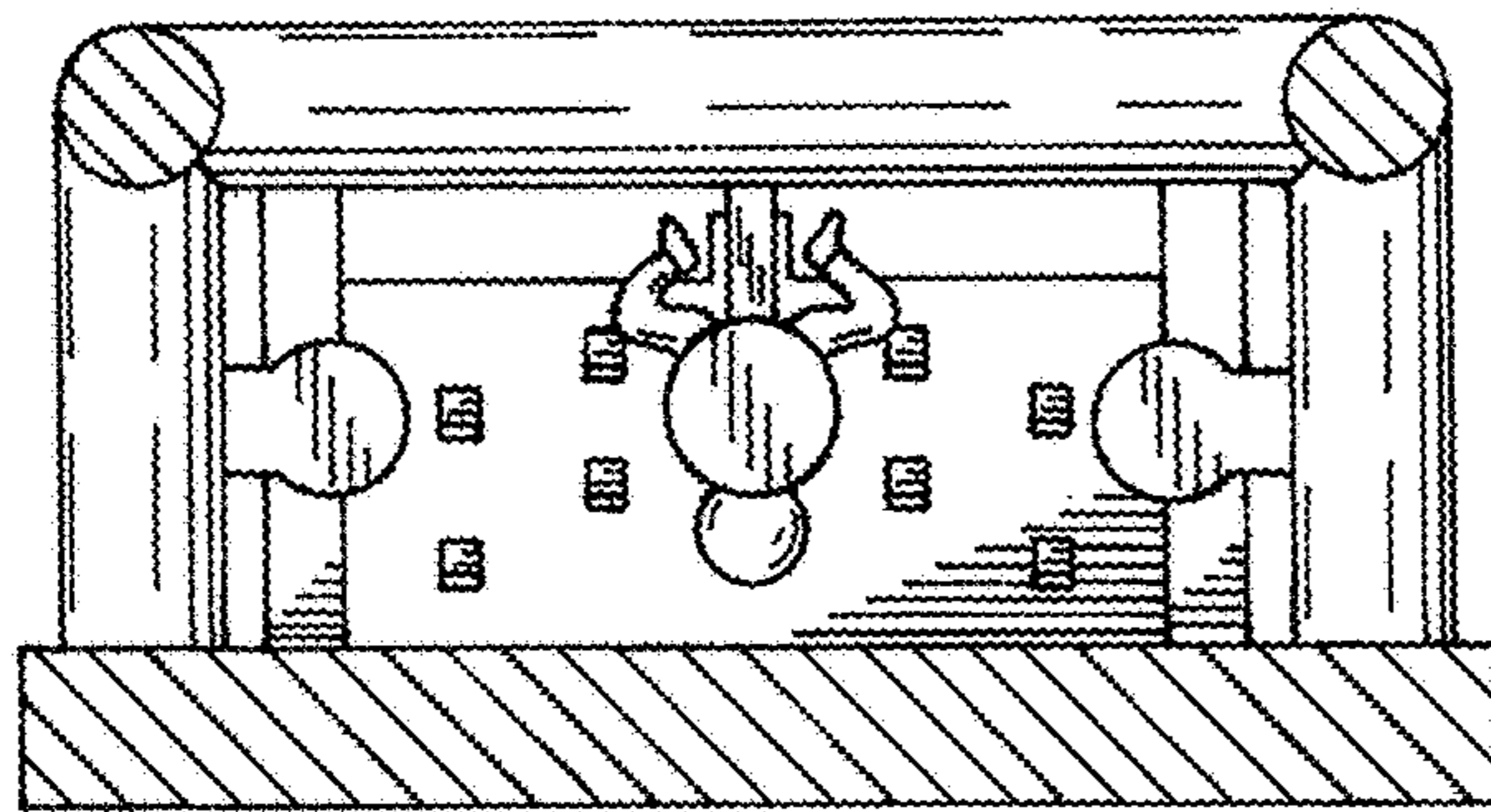


FIG. 8

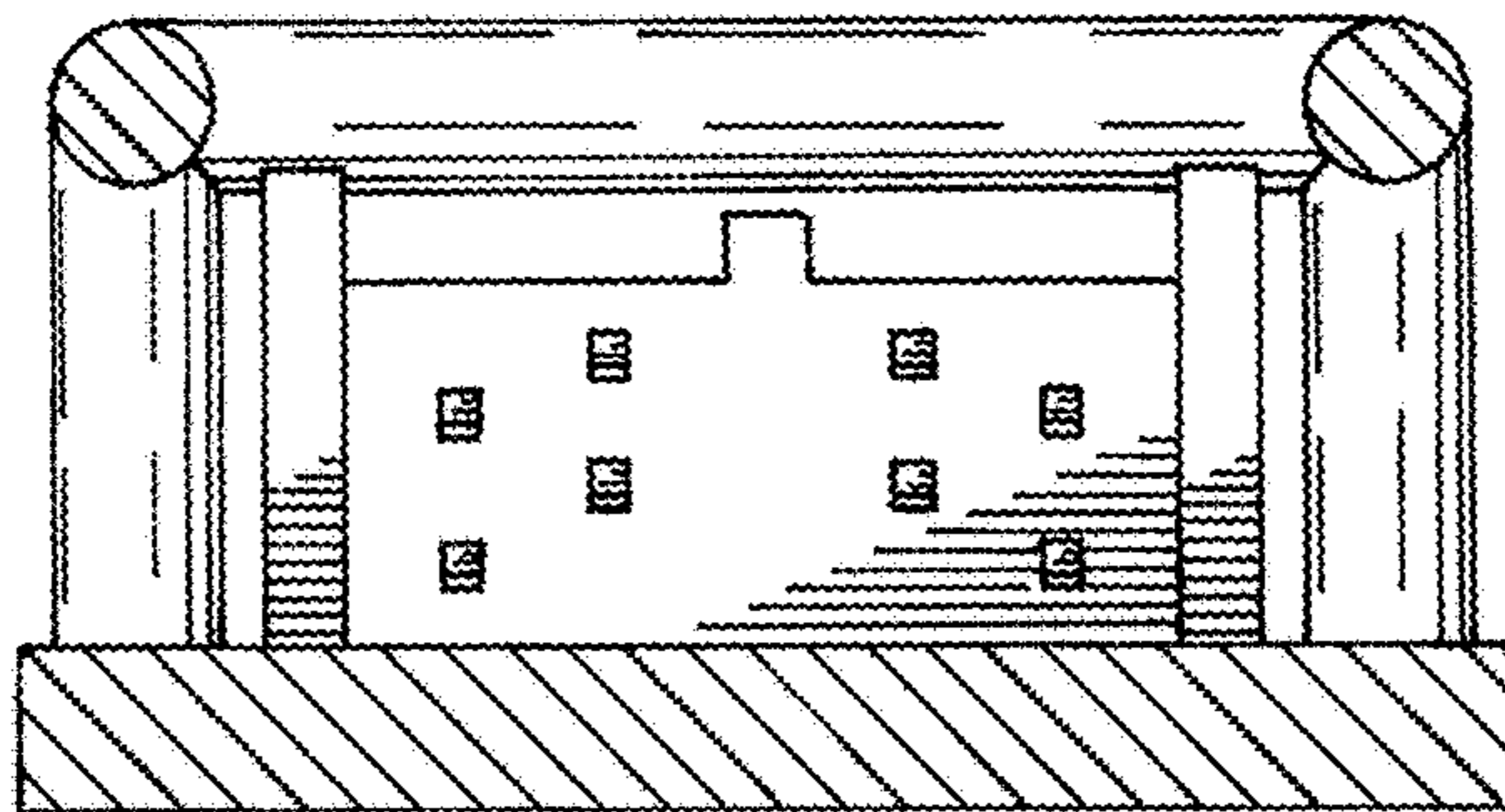


FIG. 9