



US00D803337S

(12) **United States Design Patent**  
**Kragerud**

(10) **Patent No.:** **US D803,337 S**

(45) **Date of Patent:** **\*\* Nov. 21, 2017**

(54) **GOLF MARKER**

(71) Applicant: **Bret Kragerud**, Kent, WA (US)

(72) Inventor: **Bret Kragerud**, Kent, WA (US)

(\*\*) Term: **14 Years**

(21) Appl. No.: **29/504,532**

(22) Filed: **Oct. 7, 2014**

(51) **LOC (10) Cl.** ..... **21-02**

(52) **U.S. Cl.**  
USPC ..... **D21/794**

(58) **Field of Classification Search**  
USPC ..... D21/789, 793, 794, 386, 390  
CPC ..... A63B 57/353; A63B 57/207  
See application file for complete search history.

(56) **References Cited**

U.S. PATENT DOCUMENTS

3,041,071	A *	6/1962	Fialon	.....	A63B 57/353
					40/124.5
3,715,781	A *	2/1973	Salvatori	.....	A44B 1/28
					24/113 MP
5,356,133	A	10/1994	Bellagamba		
5,437,446	A *	8/1995	Youngkin	.....	A63B 69/3676
					473/257
D365,133	S *	12/1995	Belmont	.....	D21/794
6,077,174	A *	6/2000	Noritake	.....	A63B 57/353
					473/406
D428,954	S	8/2000	Tate		
D446,837	S *	8/2001	Tate	.....	D21/794
D462,102	S *	8/2002	Urbik	.....	D21/794
D472,290	S *	3/2003	Kristoffersen	.....	D21/794
D480,444	S *	10/2003	Marchessault	.....	D21/794
D520,588	S	5/2006	Morgan		
D530,767	S *	10/2006	Davis	.....	D21/794
D540,902	S *	4/2007	Regalado	.....	D21/794
D583,893	S *	12/2008	Ruff	.....	D21/794
D588,226	S *	3/2009	Brown	.....	D21/794
D588,670	S *	3/2009	Walz	.....	D21/794

D606,149	S *	12/2009	Regalado	.....	D21/793
D624,142	S *	9/2010	Weber	.....	D21/794
D627,021	S *	11/2010	Savarese	.....	D21/753
D630,284	S *	1/2011	Desrosiers	.....	D21/794
D662,165	S *	6/2012	Kragerud	.....	D21/794
8,388,469	B1 *	3/2013	Hawthorn	.....	A63B 57/353
					473/406
D689,973	S *	9/2013	Smith	.....	D21/794
D721,152	S *	1/2015	Kokoska	.....	D21/794
D762,799	S *	8/2016	Polete	.....	D21/794
2005/0026727	A1 *	2/2005	Barouh	.....	A63B 57/353
					473/406
2008/0207356	A1 *	8/2008	Pekrol	.....	A63B 69/3676
					473/406
2008/0220909	A1 *	9/2008	Yamashita	.....	A63B 57/207
					473/406
2010/0151972	A1 *	6/2010	Lim	.....	A63B 57/353
					473/406

OTHER PUBLICATIONS

Google Image Search, "Flat Golf Ball Marker Arrow," Jul. 1, 2011. 5 pages.

(Continued)

*Primary Examiner* — Mitchell Siegel  
(74) *Attorney, Agent, or Firm* — George A. Leone;  
Citadel Patent Law

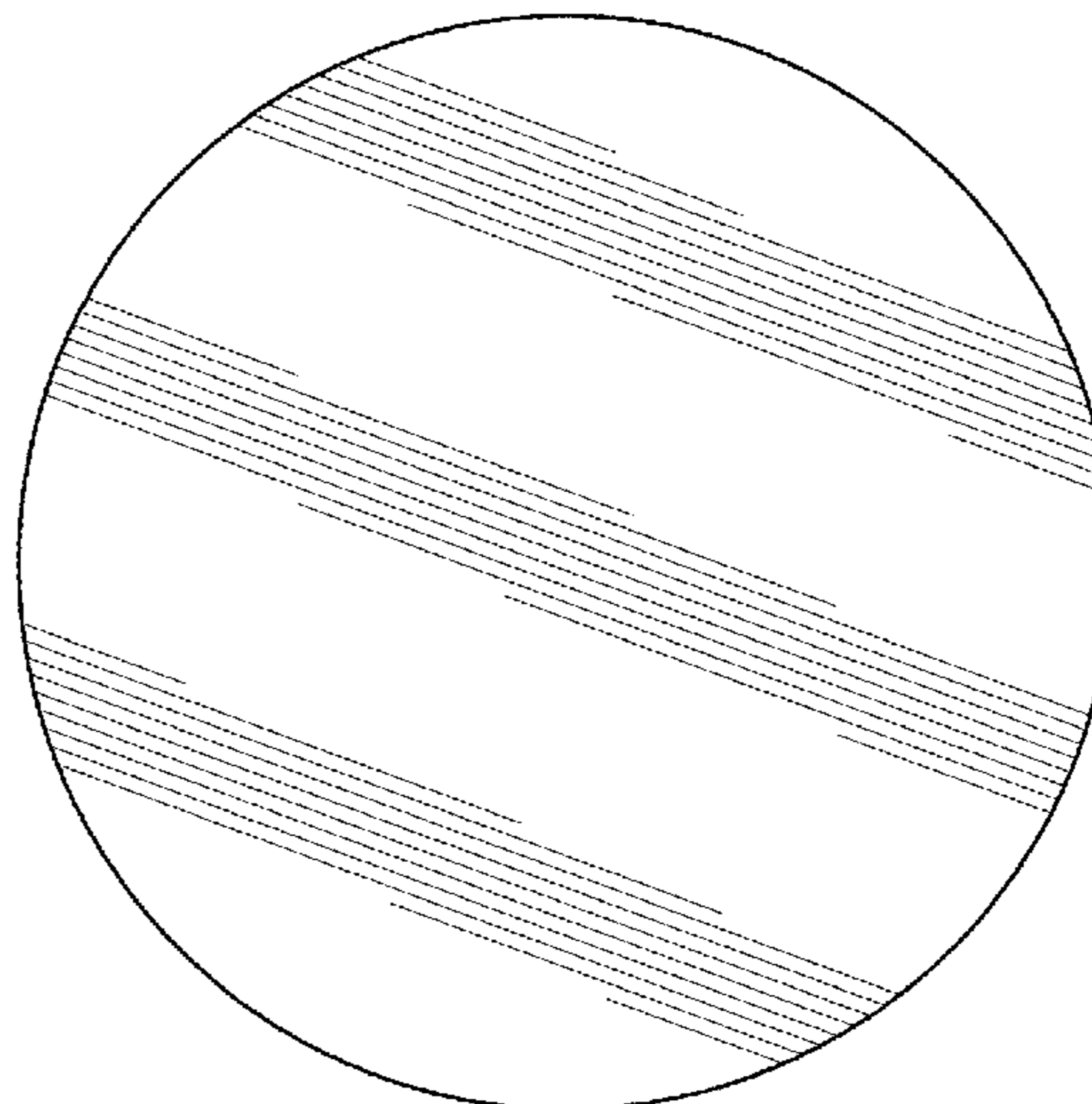
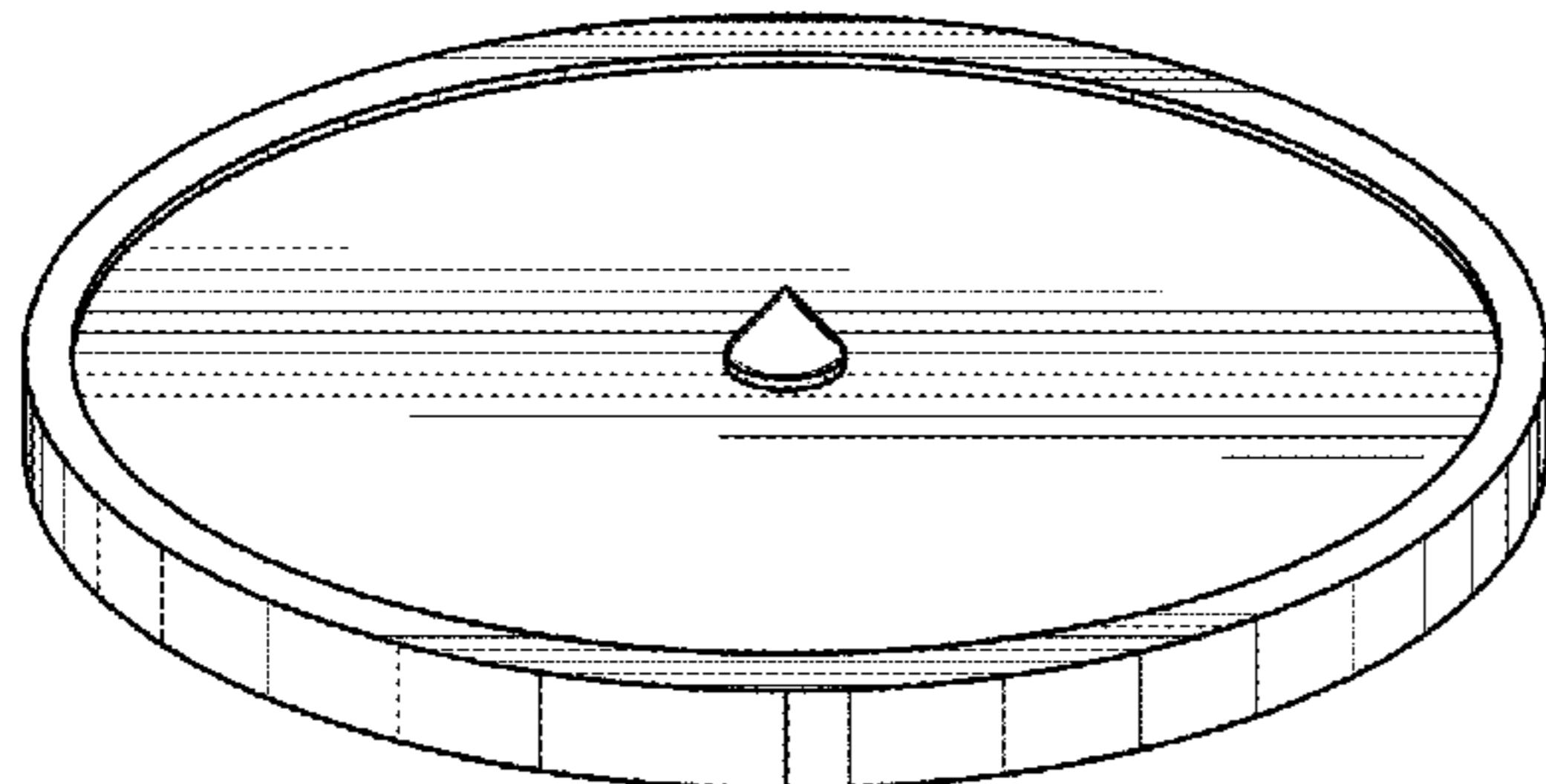
(57) **CLAIM**

The ornamental design for a golf marker, as shown and described.

**DESCRIPTION**

FIG. 1 is a perspective view of a golf marker showing my new design;  
FIG. 2 is a top plan view thereof;  
FIG. 3 is a bottom plan view thereof; and,  
FIG. 4 is a side elevational view thereof.

**1 Claim, 2 Drawing Sheets**



(56)

**References Cited**

OTHER PUBLICATIONS

U.S. Appl. No. 29/397,353, Non Final Office Action, dated Mar. 28, 2012.

U.S. Appl. No. 29/397,353, Response Under 37 CFR 1.111, dated Apr. 6, 2012.

U.S. Appl. No. 29/397,353, Notice of Allowance, dated Apr. 30, 2012.

U.S. Appl. No. 29/459,222, Notice of Allowance, dated Apr. 23, 2014.

Spinning Top Toy, [www.thingiverse.com/thing:85386](http://www.thingiverse.com/thing:85386), published May 7, 2013.

Metal Spinning Tops, <https://store.kaufmann-mercantile.com/products/metal-spinning-tops>, Oct. 7, 2014.

\* cited by examiner

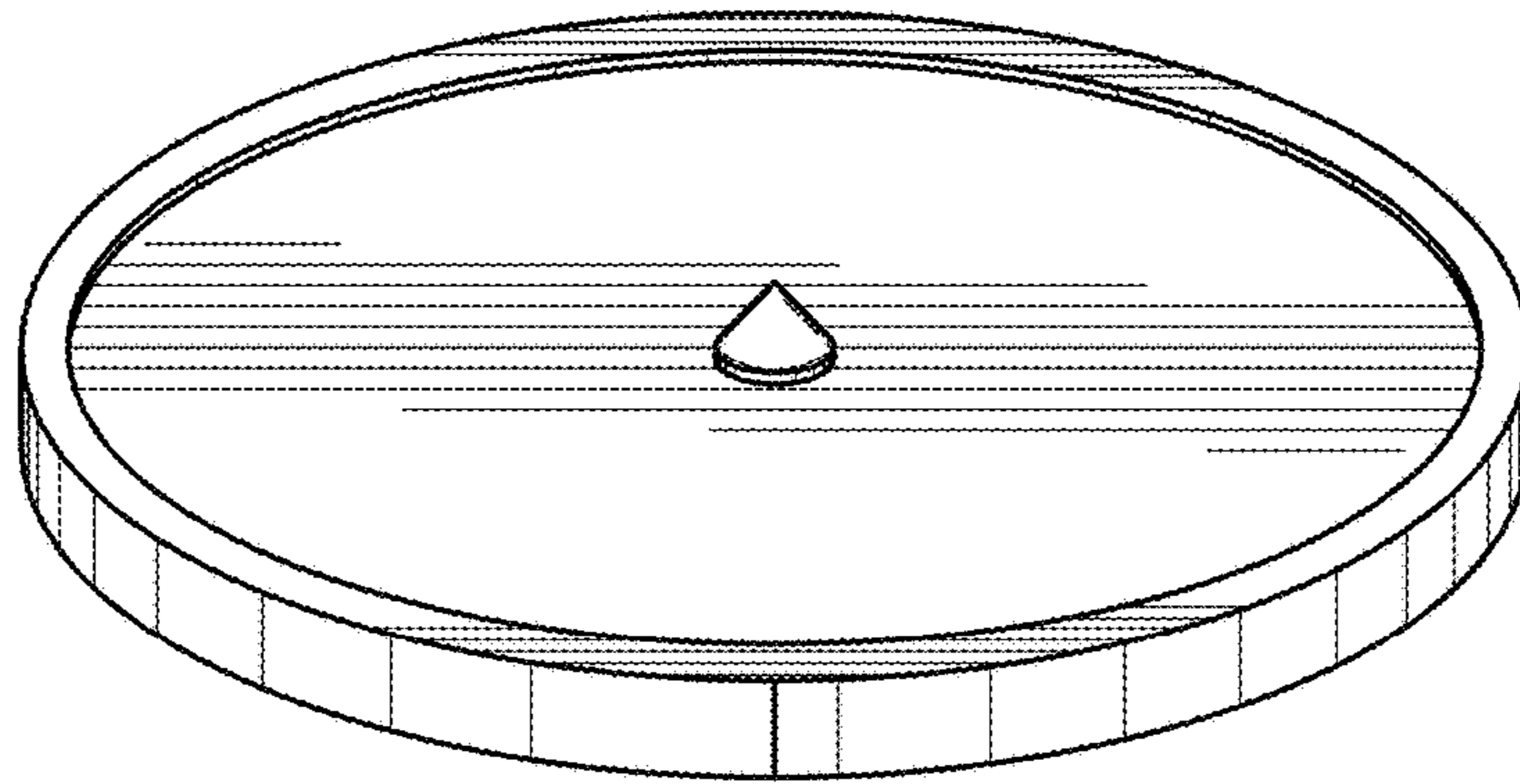


Fig. 1

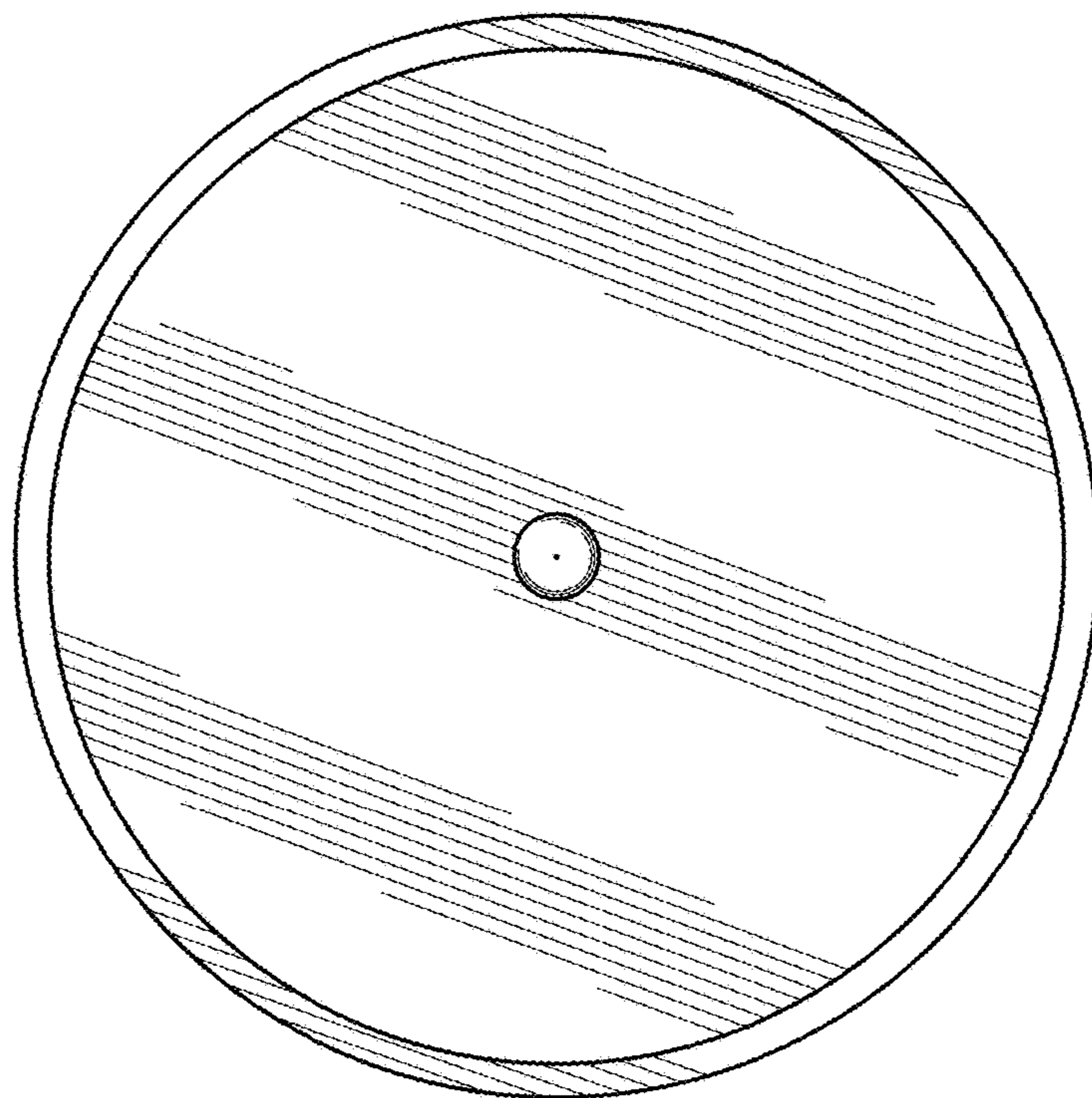
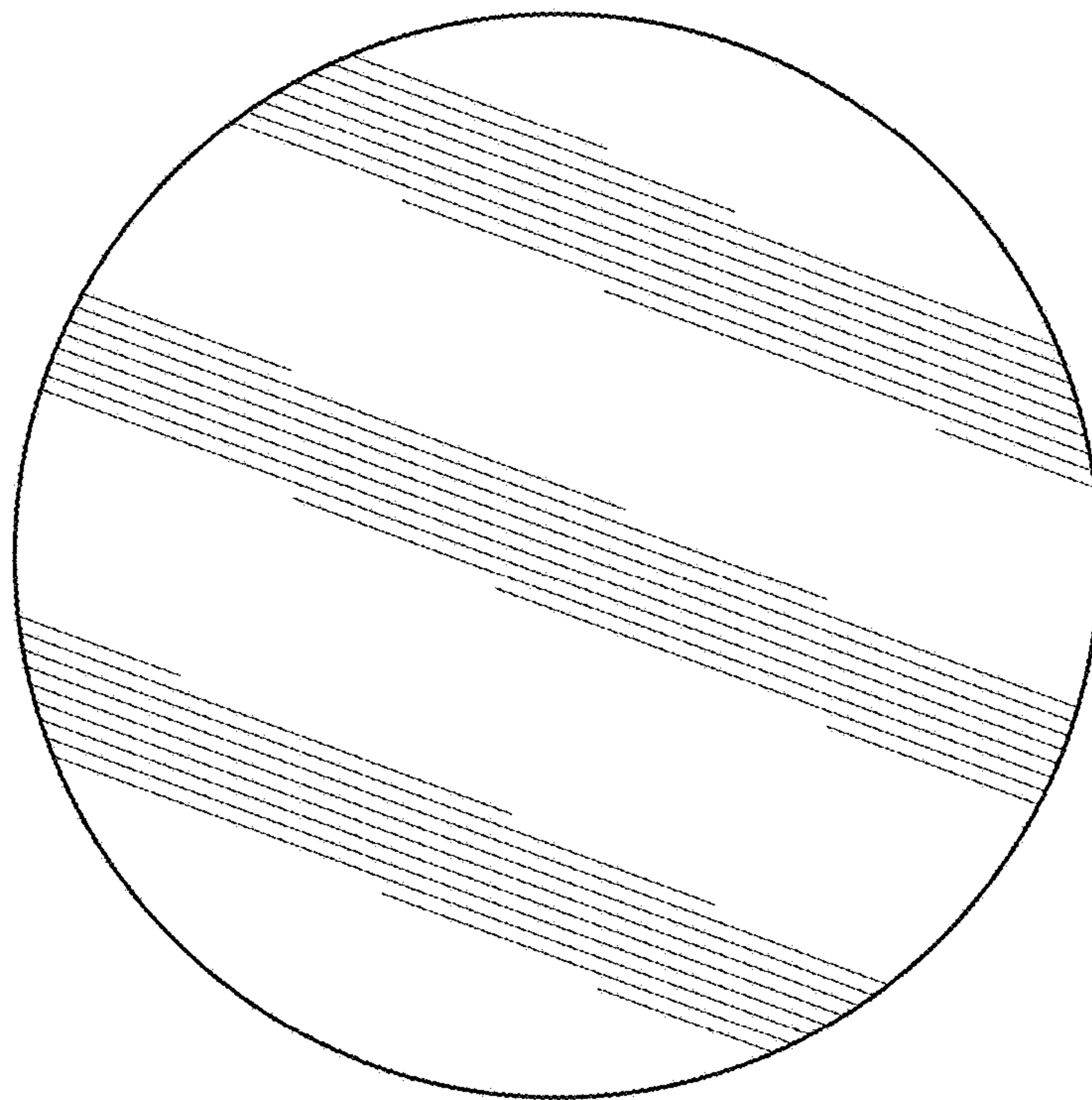
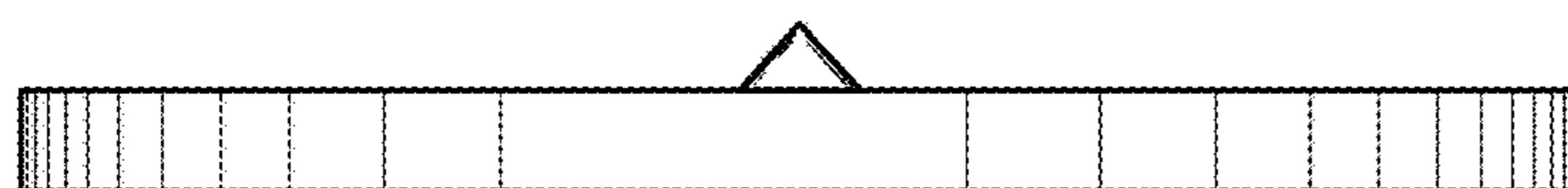


Fig. 2



**Fig. 3**



**Fig. 4**