



US00D803332S

(12) **United States Design Patent** (10) **Patent No.:** **US D803,332 S**  
**Hudson** (45) **Date of Patent:** **\*\* Nov. 21, 2017**

(54) **PUTTER HEAD**  
(71) Applicant: **Joe Lewis Hudson**, Columbus, OH (US)  
(72) Inventor: **Joe Lewis Hudson**, Columbus, OH (US)  
(\*\*) Term: **15 Years**  
(21) Appl. No.: **29/574,191**  
(22) Filed: **Aug. 12, 2016**  
(51) **LOC (10) Cl.** ..... **21-02**  
(52) **U.S. Cl.**  
USPC ..... **D21/736**  
(58) **Field of Classification Search**  
USPC ..... D21/736-746, 759  
CPC ..... A63B 53/00; A63B 53/04; A63B 53/007;  
A63B 53/065; A63B 53/0487; A63B  
60/00; A63B 60/46  
See application file for complete search history.

6,217,460 B1 \* 4/2001 Broadbridge ..... A63B 53/0487  
273/DIG. 11  
D448,057 S \* 9/2001 Hoal ..... D21/736  
D513,295 S \* 12/2005 Johnson ..... D21/743  
D522,599 S \* 6/2006 Johnson ..... D21/742  
D523,916 S \* 6/2006 Johnson ..... D21/746

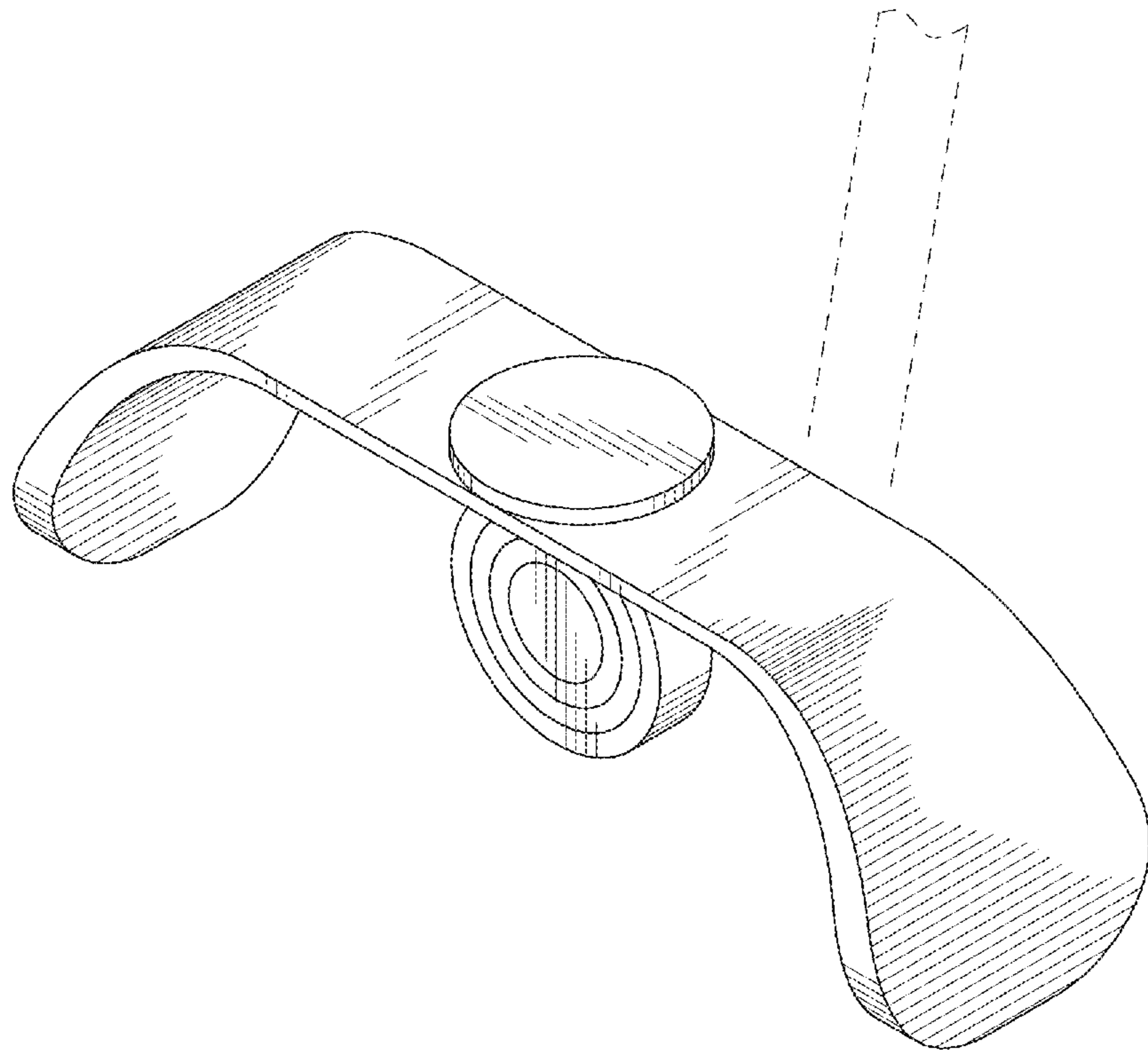
\* cited by examiner  
*Primary Examiner* — Mitchell Siegel  
(74) *Attorney, Agent, or Firm* — Dunlap Bennett & Ludwig PLLC; Brendan E. Squire

(56) **References Cited**  
U.S. PATENT DOCUMENTS  
D246,541 S \* 11/1977 Myers ..... 473/314  
D317,807 S \* 6/1991 Adams ..... D21/745  
5,607,365 A \* 3/1997 Wolf ..... A63B 53/0487  
473/328  
D412,728 S \* 8/1999 Broadbridge ..... D21/742

(57) **CLAIM**  
The ornamental design for a putter head, as shown and described.

**DESCRIPTION**  
FIG. 1 is a top front perspective view of the putter head showing my new design;  
FIG. 2 is a front elevation view thereof, with the rear elevation view being a mirror image thereof;  
FIG. 3 is a right elevation view thereof, with the left elevation view being a mirror image thereof;  
FIG. 4 is a top elevation view thereof; and,  
FIG. 5 is a bottom elevation view thereof.  
The broken lines in FIGS. 1-3 showing the putter head illustrates environment and forms no part of the claim.

**1 Claim, 3 Drawing Sheets**



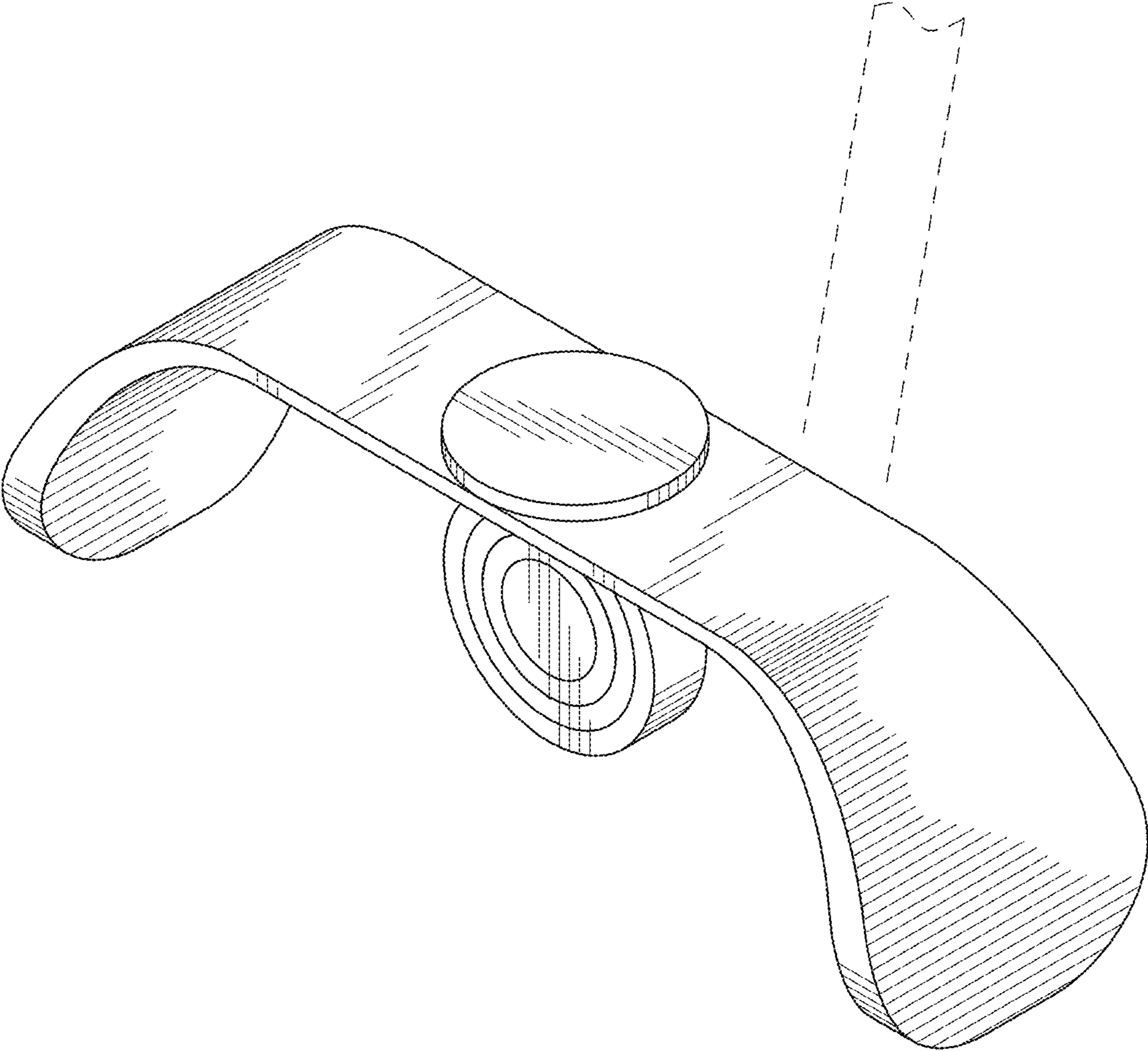


FIG. 1

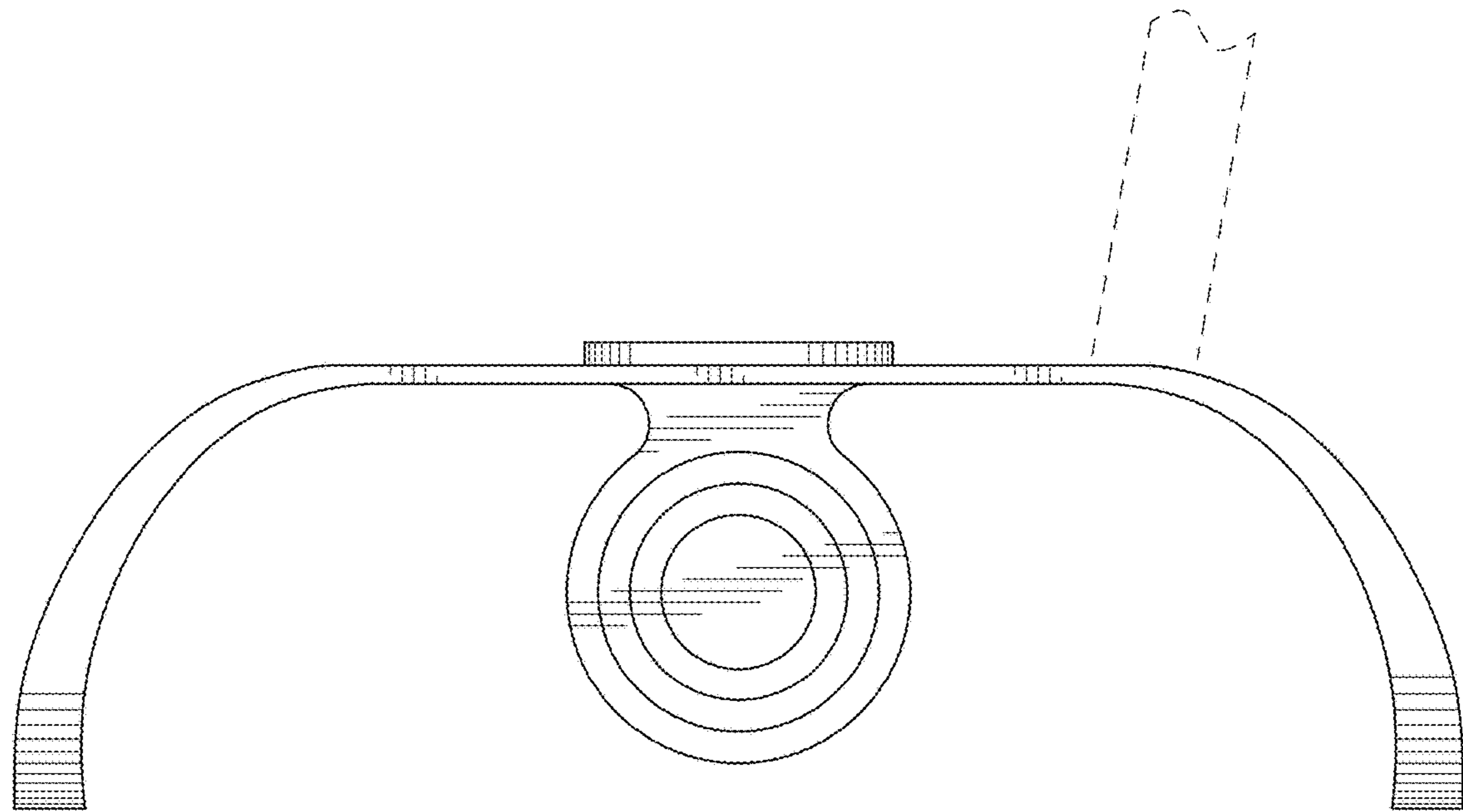


FIG. 2

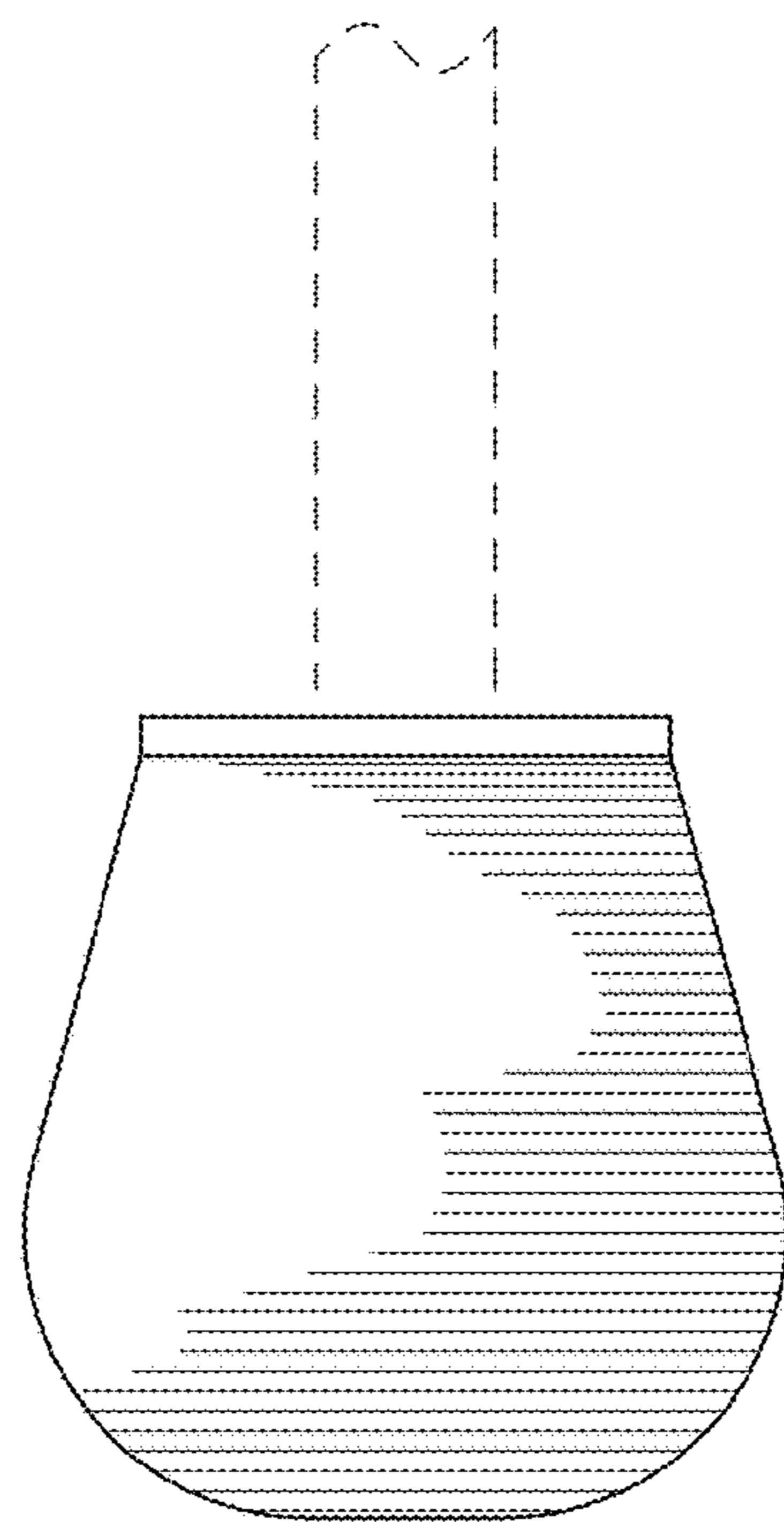


FIG. 3

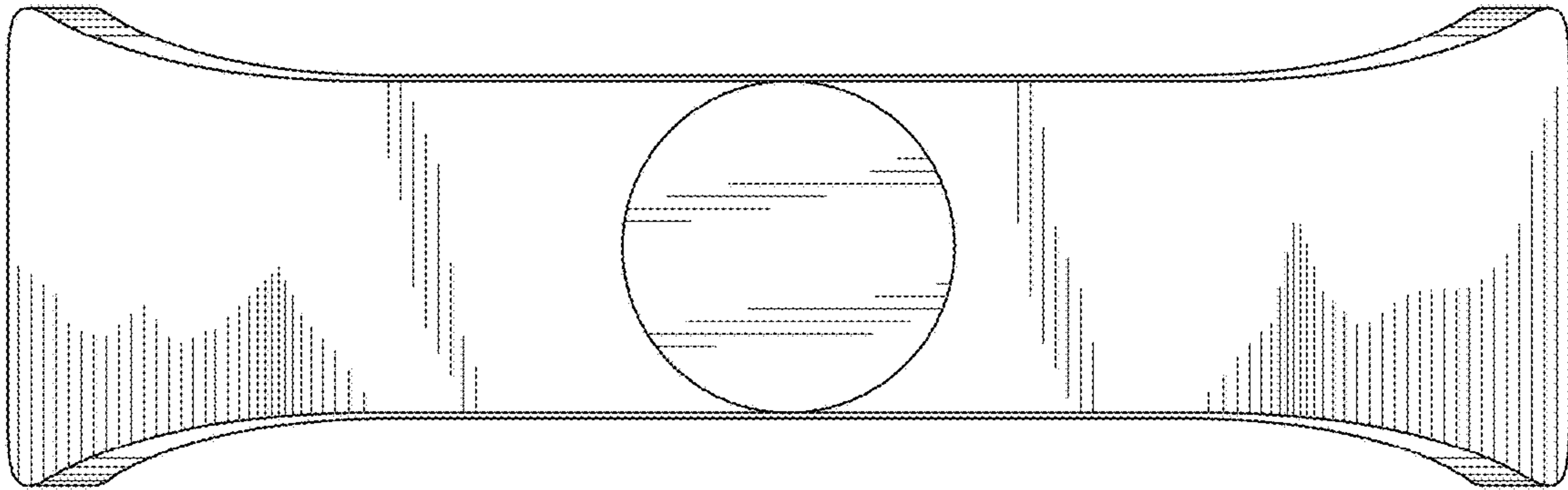


FIG. 4

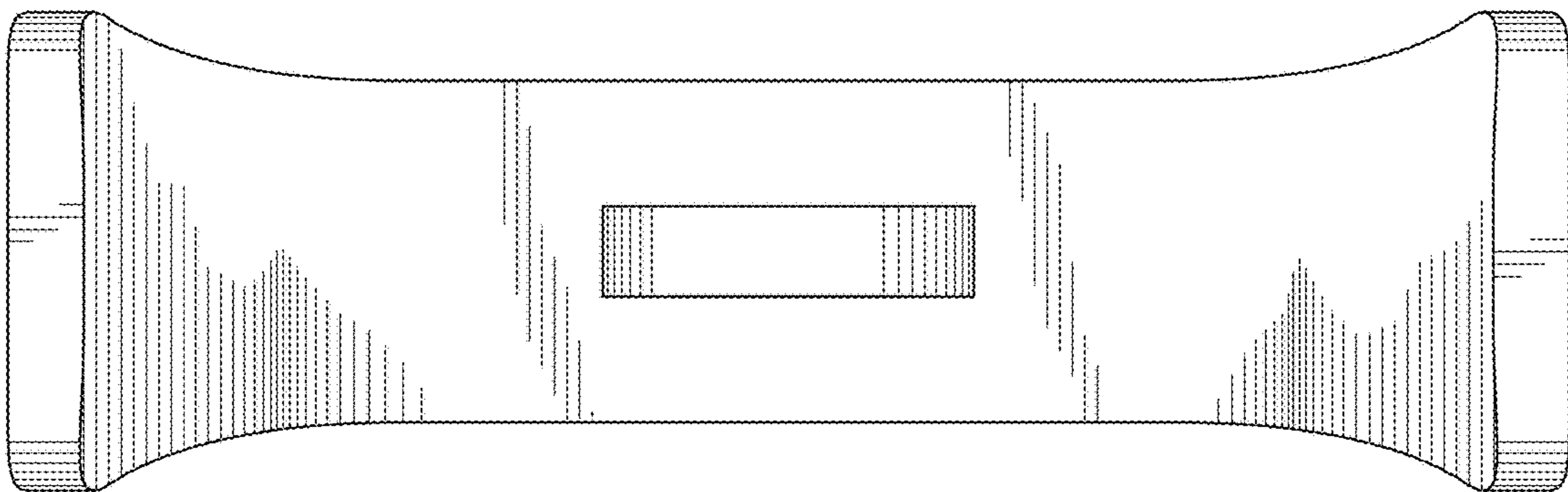


FIG. 5