



US00D803329S

(12) **United States Design Patent** (10) **Patent No.:** **US D803,329 S**
Tompkin (45) **Date of Patent:** **** Nov. 21, 2017**

(54) **RC CAR**
 (71) Applicant: **MerchSource, LLC**, Irvine, CA (US)
 (72) Inventor: **Crispian Tompkin**, El Segundo, CA (US)
 (73) Assignee: **MerchSource, LLC**, Irvine, CA (US)
 (**) Term: **15 Years**

D269,100 S 5/1983 Reder
 D274,344 S * 6/1984 Boudreaux D21/533
 D303,408 S * 9/1989 Wallace D21/533
 D468,369 S 1/2003 Chiappetta et al.
 D579,060 S 10/2008 Brockmeyer
 D620,539 S * 7/2010 Badanjo D21/433
 D652,086 S 1/2012 Schmidden
 D681,742 S * 5/2013 Martino D21/550
 D700,250 S * 2/2014 Martino D21/550
 D705,702 S 5/2014 Auerbach
 D771,201 S * 11/2016 Tompkin D21/550

(21) Appl. No.: **29/576,373**
 (22) Filed: **Sep. 2, 2016**
 (51) **LOC (10) Cl.** **21-01**
 (52) **U.S. Cl.**
 USPC **D21/550**
 (58) **Field of Classification Search**
 USPC D21/424, 426, 433, 434, 533, 548-551,
 D21/561, 562; 446/465, 468, 470, 471,
 446/431, 454-456
 CPC ... B60C 2200/20; B62B 5/0033; A63H 17/26;
 A63H 17/262; A63H 17/264; A63H
 17/266; A63H 17/36; A63H 17/38; A63H
 29/00; A63H 29/22; A63H 29/24; A63H
 30/04
 See application file for complete search history.

FOREIGN PATENT DOCUMENTS

CN 201630044359.9 S 8/2016

* cited by examiner

Primary Examiner — Cynthia M Chin
 (74) *Attorney, Agent, or Firm* — Avyno Law P.C.

(57) **CLAIM**

I claim the ornamental design for a RC car, as shown and described.

DESCRIPTION

FIG. 1 is a front perspective view of a RC car.
 FIG. 2 is a rear perspective view of the RC car of FIG. 1.
 FIG. 3 is a side view of the right side of the RC car of FIG. 1.
 FIG. 4 is a side view of the left side of the RC car of FIG. 1.
 FIG. 5 is a front view of the RC car of FIG. 1.
 FIG. 6 is a rear view of the RC car of FIG. 1.
 FIG. 7 is a top view of the RC car of FIG. 1; and,
 FIG. 8 is a bottom view of the RC car of FIG. 1.
 The broken lines shown are included for the purpose of illustrating the unclaimed portions of the article and forms no part of the claimed design.

(56) **References Cited**

U.S. PATENT DOCUMENTS

D133,868 S 9/1942 Donahue
 D141,174 S 5/1945 Jones
 D145,737 S * 10/1946 Kuntz D21/550
 D149,936 S * 6/1948 Cristell D21/550
 D192,930 S 5/1962 Doe
 3,238,665 A 3/1966 Doe
 D217,874 S * 6/1970 French D21/763
 D223,769 S * 6/1972 Ruokenen D21/533
 D249,736 S * 9/1978 Bergman D21/533

1 Claim, 4 Drawing Sheets

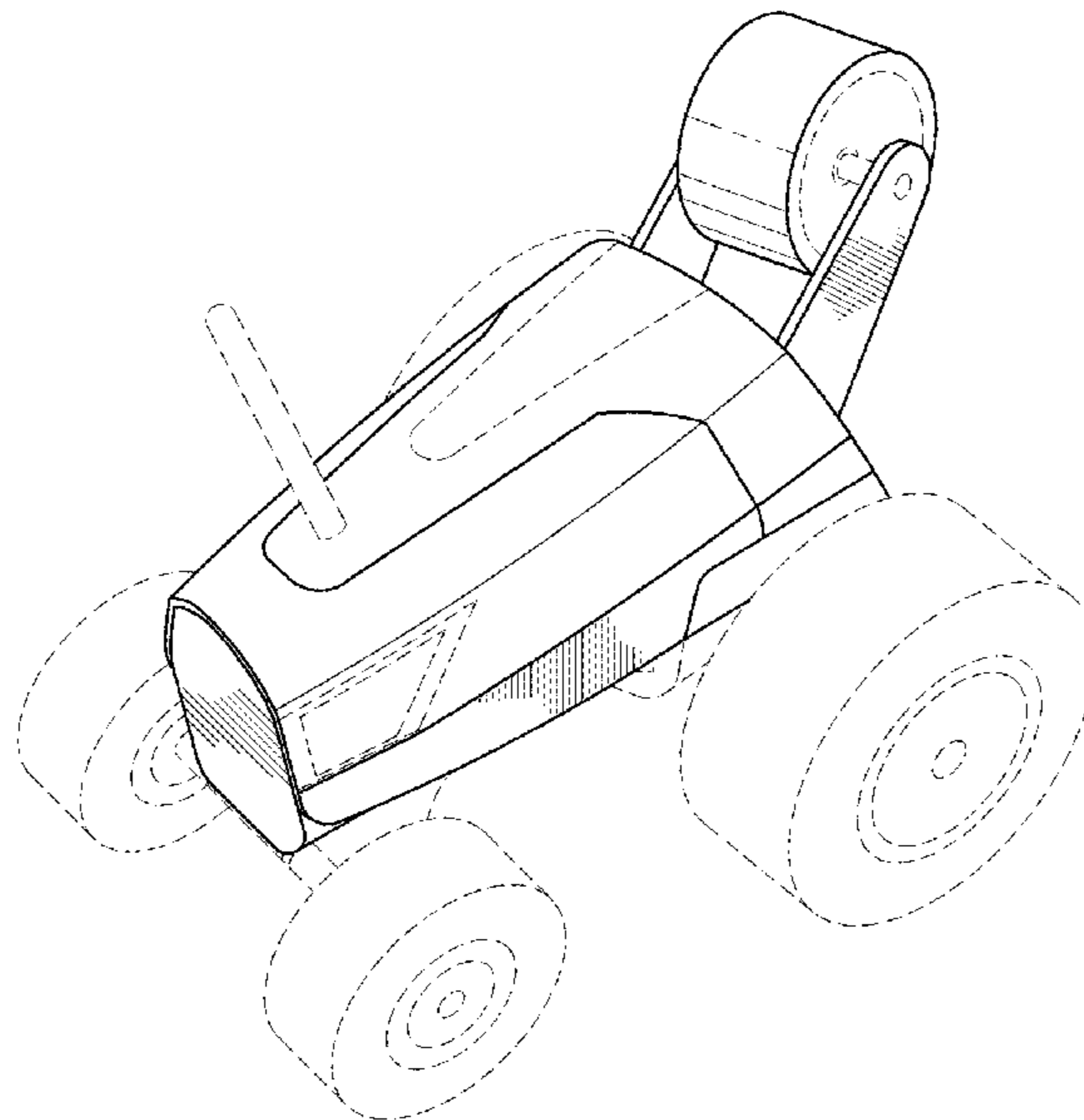


FIG. 1

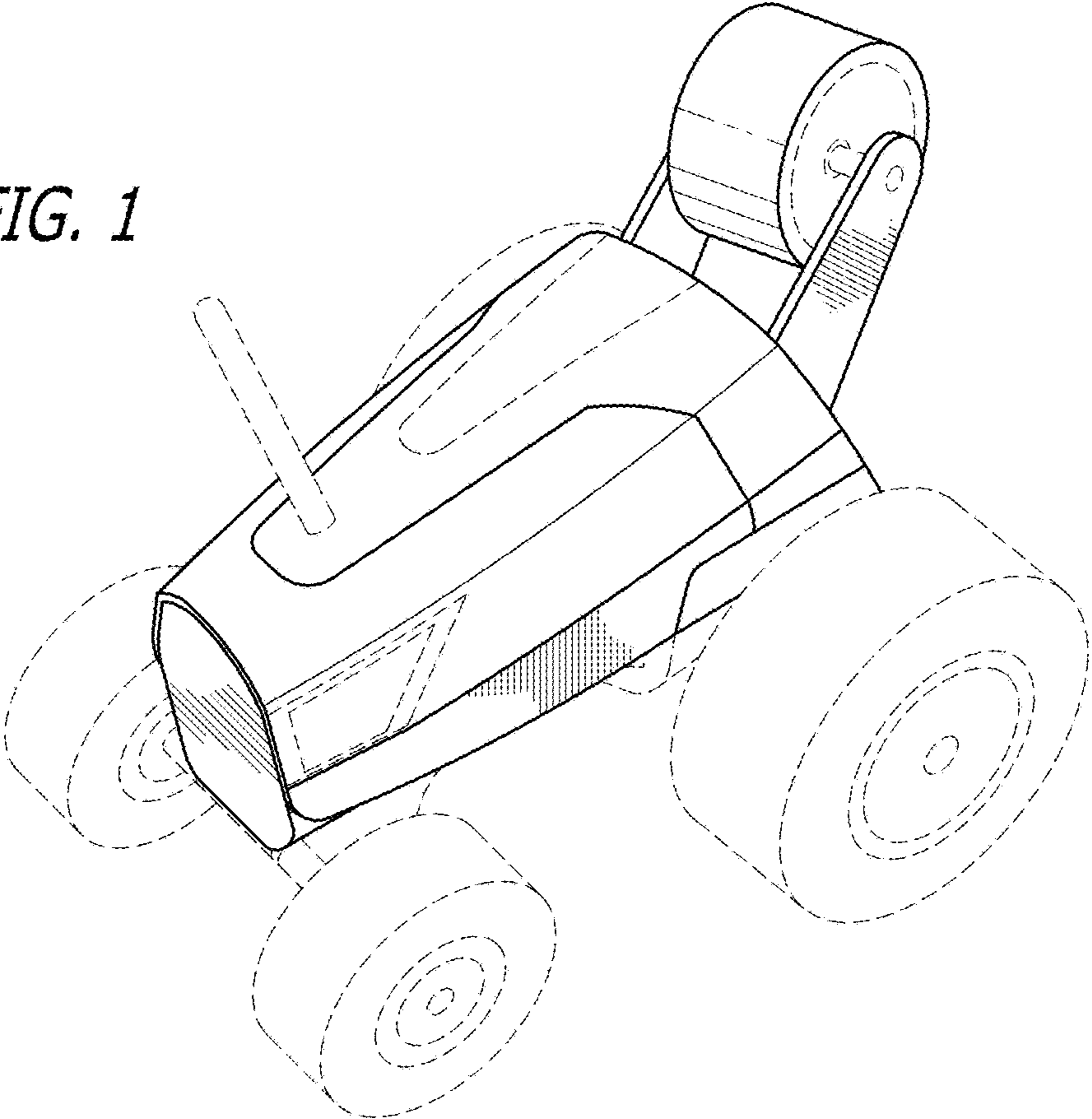
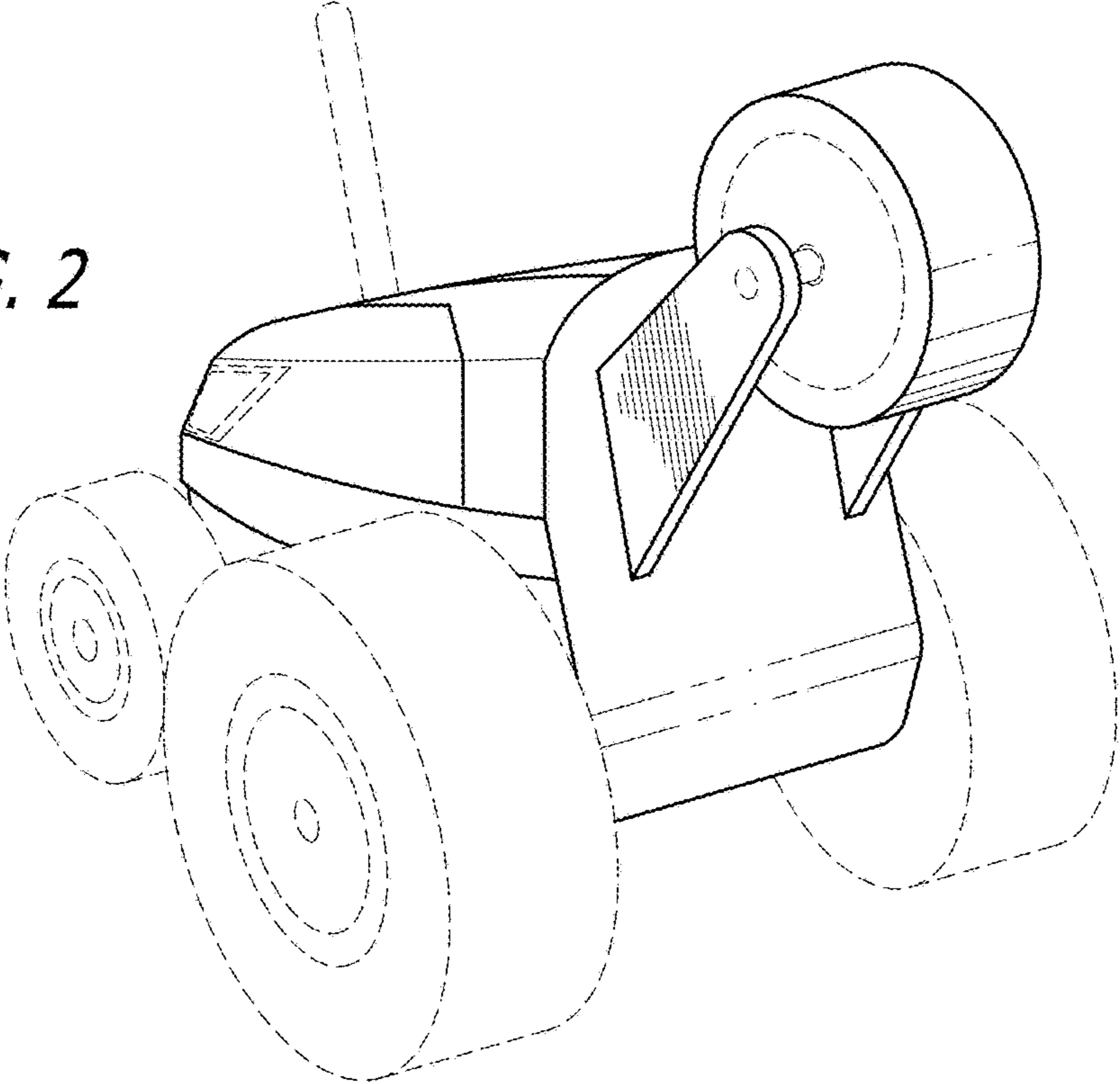


FIG. 2



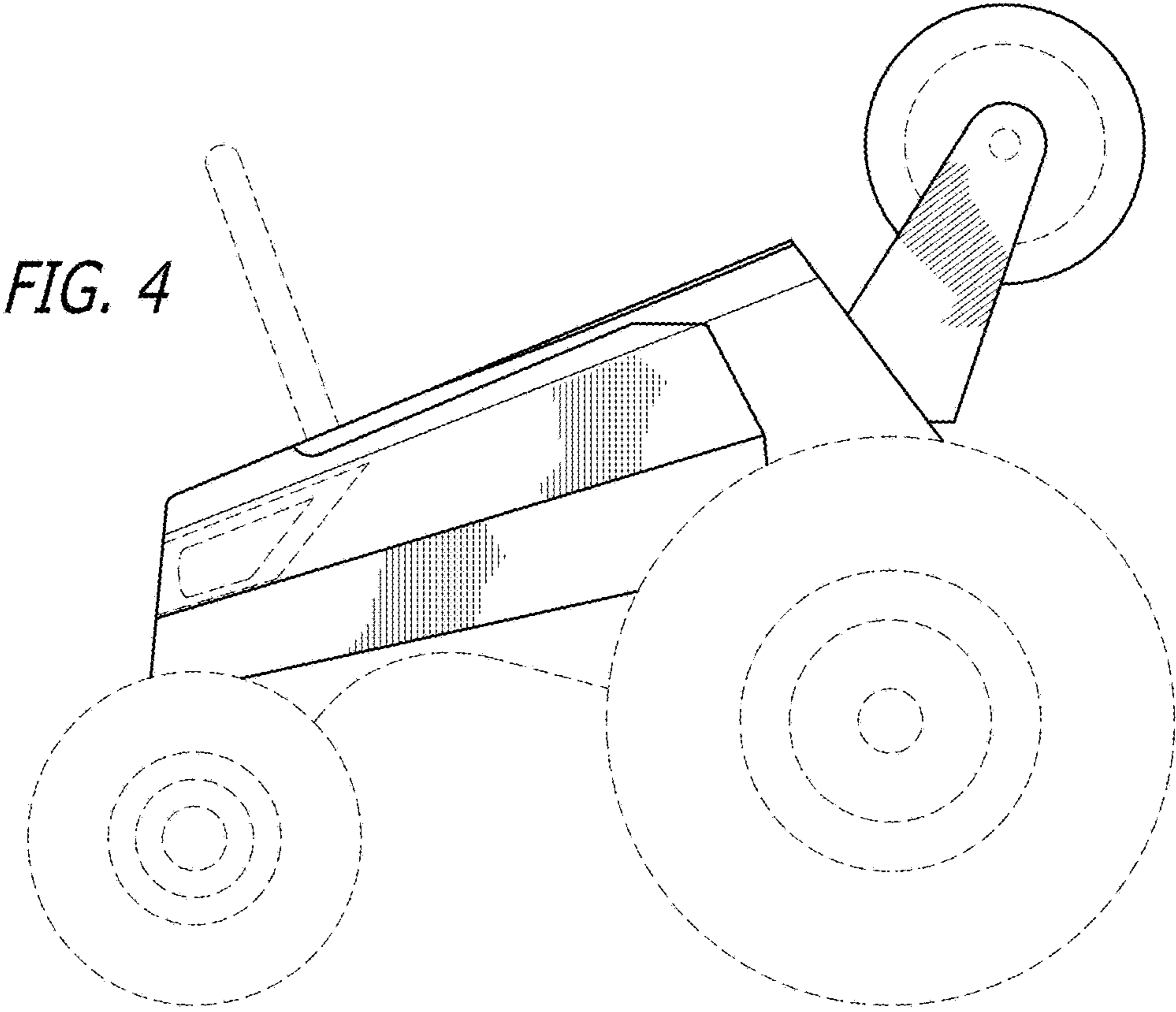
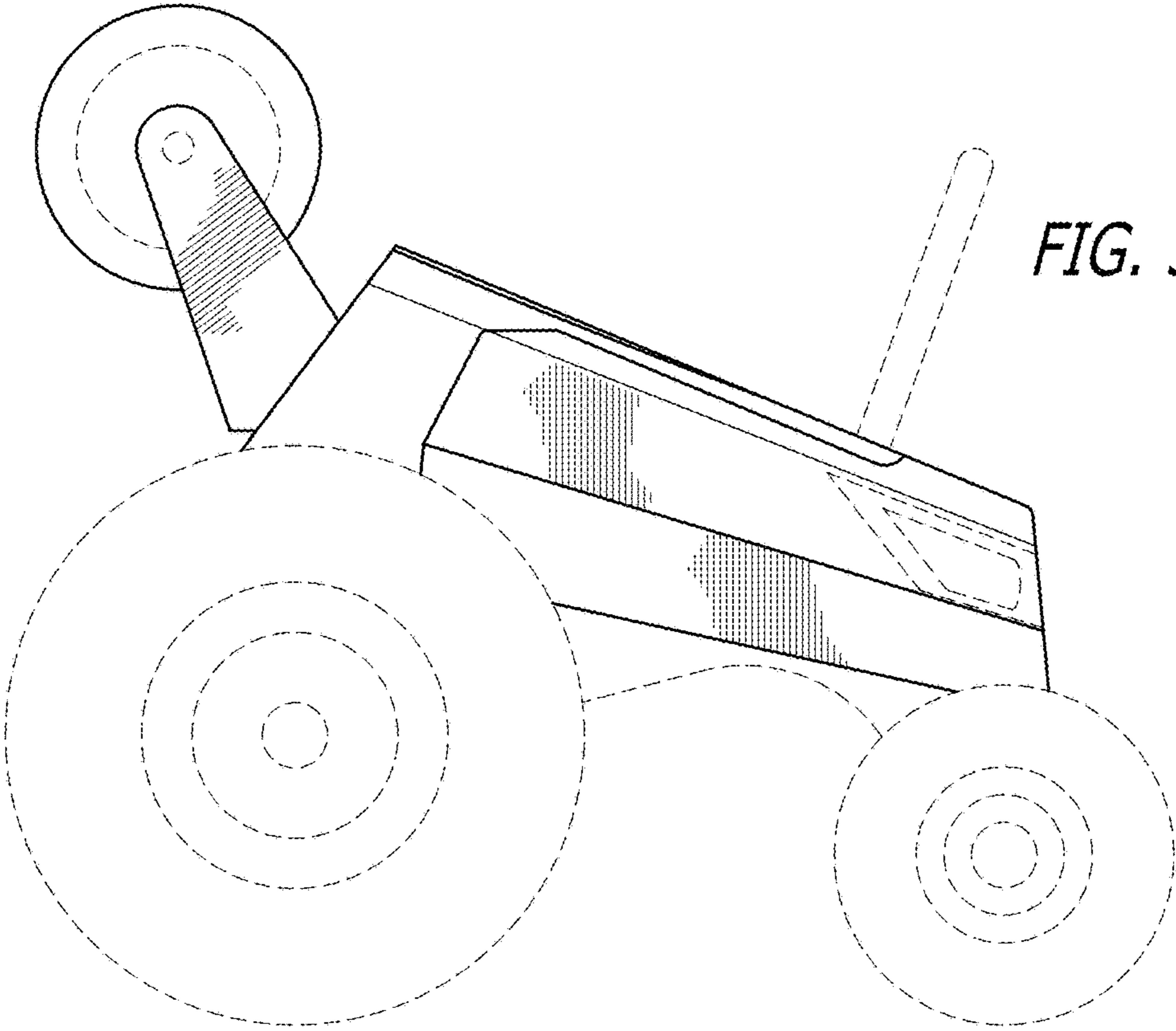


FIG. 5

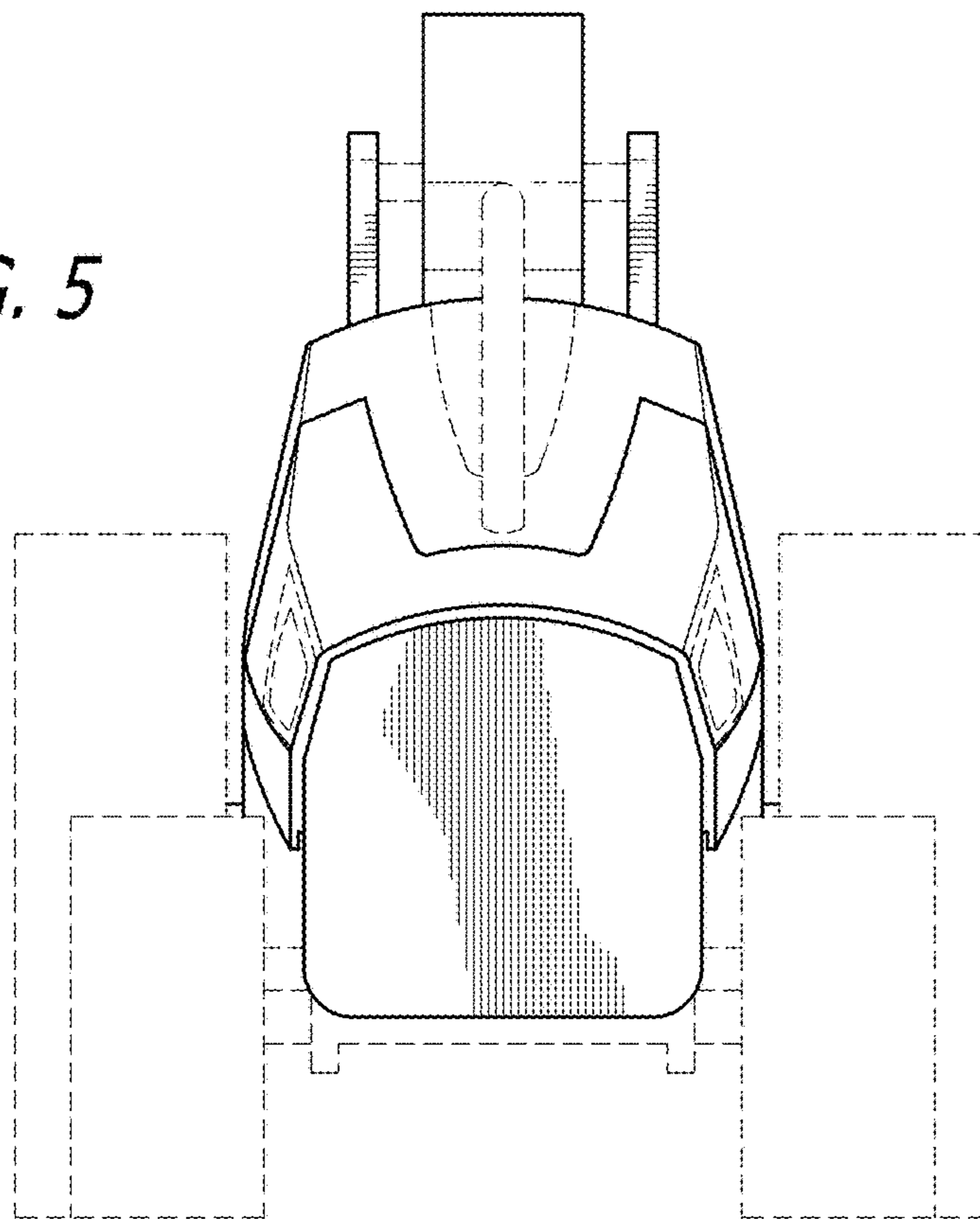


FIG. 6

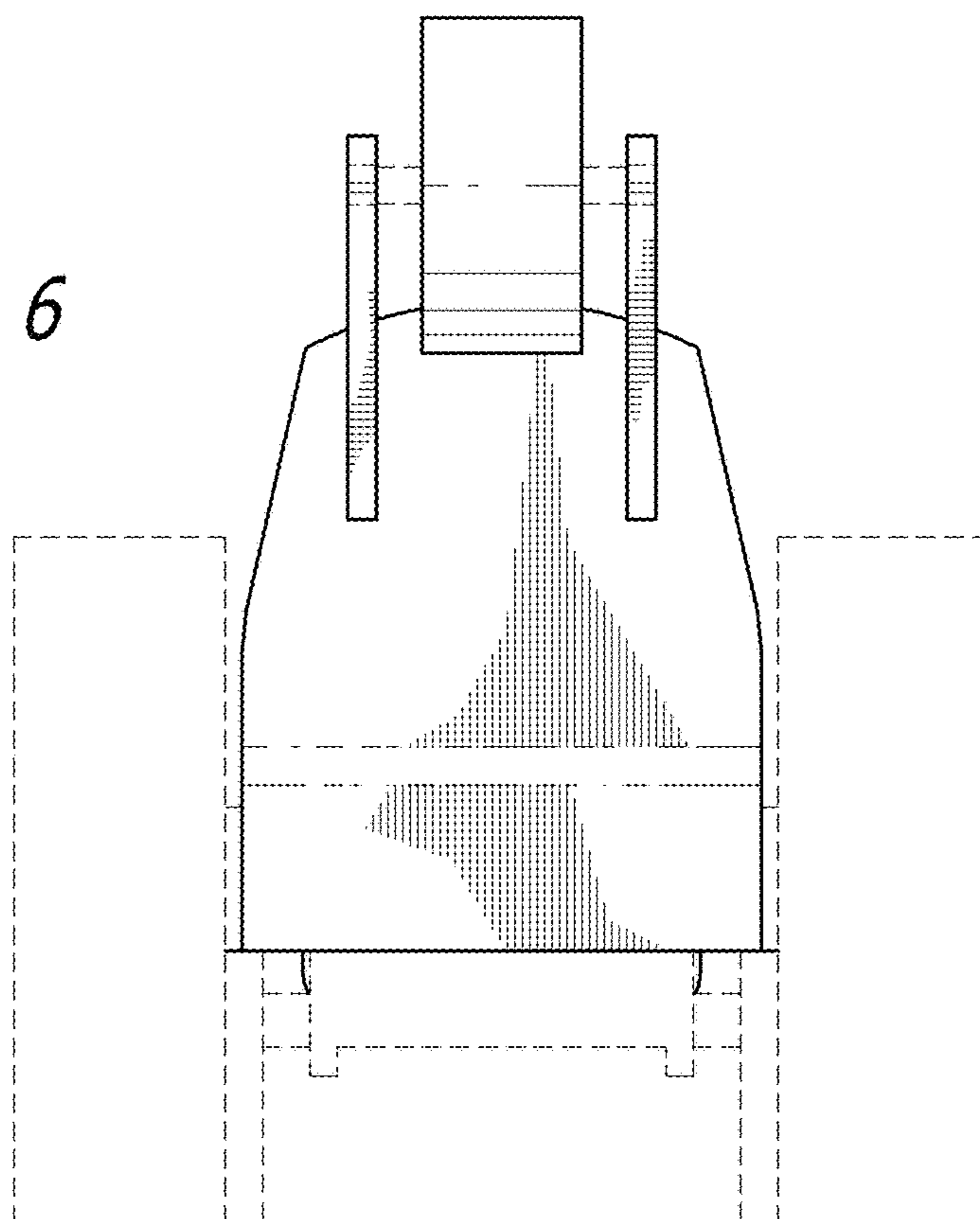


FIG. 7

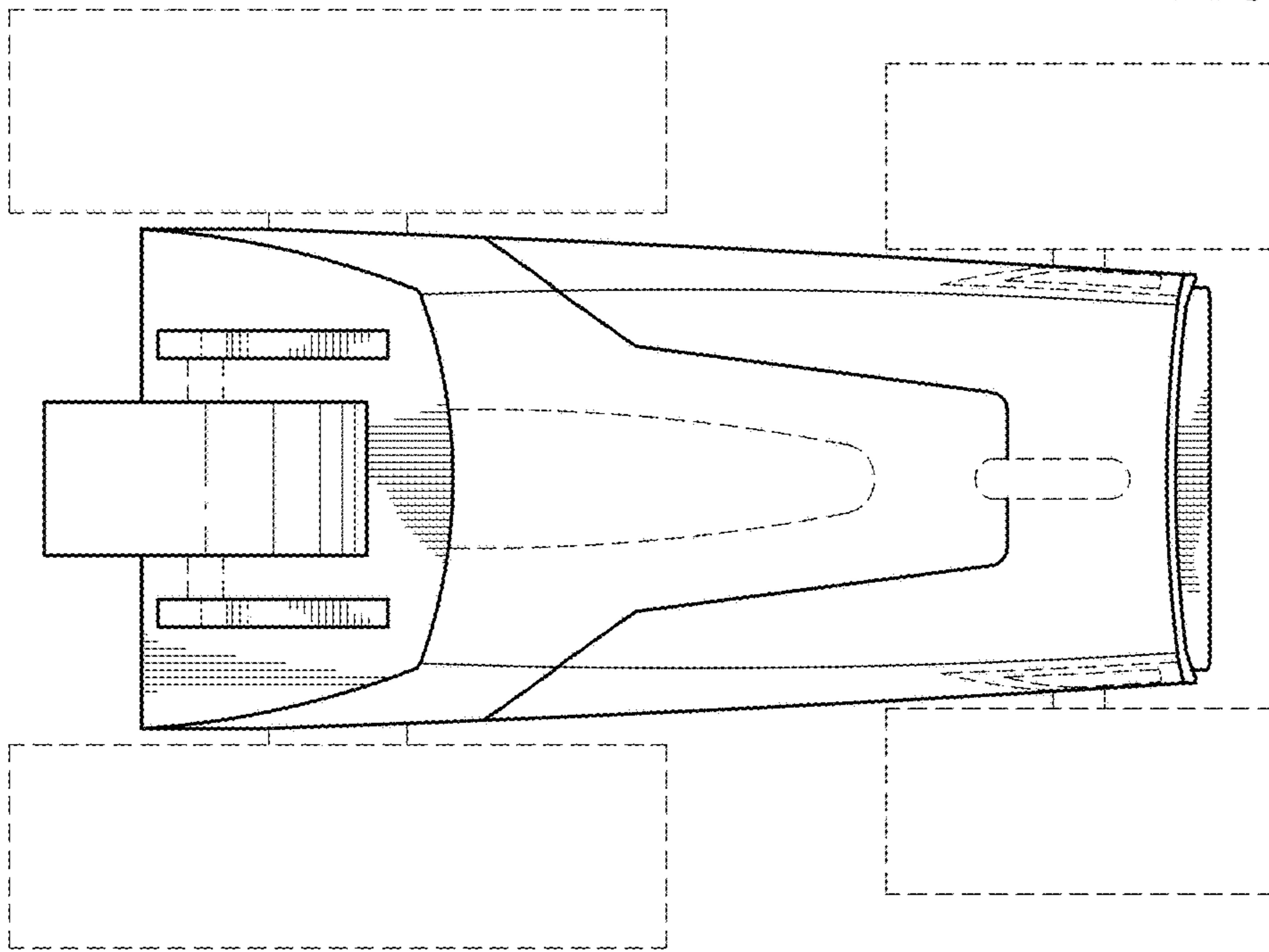


FIG. 8

