



US00D803327S

(12) **United States Design Patent**
Gaus

(10) **Patent No.:** **US D803,327 S**

(45) **Date of Patent:** **** Nov. 21, 2017**

- (54) **NINJA FLYER TOY**
- (71) Applicant: **Innovation in Mind, LLC**, Boise, ID (US)
- (72) Inventor: **Douglas M. Gaus**, Boise, ID (US)
- (73) Assignee: **Innovation In Mind, LLC**, Boise, ID (US)
- (**) Term: **15 Years**
- (21) Appl. No.: **29/574,935**
- (22) Filed: **Aug. 19, 2016**
- (51) **LOC (10) Cl.** **21-01**
- (52) **U.S. Cl.**
USPC **D21/436**; D21/437
- (58) **Field of Classification Search**
USPC D12/16.1, 323, 325, 326, 327, 328, 329, D12/331-343, 345; D21/301, 436, 438, D21/439, 440, 441, 443, 444, 445-453; D30/160
CPC A63H 33/18; A63H 27/00; A63H 27/14; A63H 33/185; A63B 65/08
See application file for complete search history.

- 5,360,363 A * 11/1994 Levin A63H 33/18 446/236
- D372,503 S * 8/1996 Liu D21/440
- 5,615,892 A * 4/1997 Miller A63B 65/08 446/36
- 5,674,101 A * 10/1997 Saloor A63B 65/00 446/46
- D398,939 S * 9/1998 Harned D21/443
- D406,617 S * 3/1999 Schalasky D21/443
- D412,724 S * 8/1999 Raundahl D21/443
- 5,984,753 A 11/1999 Perez
- D480,766 S * 10/2003 Moon D21/398
- D496,695 S * 9/2004 Davis D21/441
- 6,921,313 B2 7/2005 Yu
- D509,259 S * 9/2005 Dennis D21/444

(Continued)

OTHER PUBLICATIONS

POOF Ninja Flyer, by Alex Brands. dated 2017. Found online Jul. 1, 2017. <https://www.alexbrands.com/product/outdoor-sports/proof-ninja-flyer/>.*

Primary Examiner — Robert M Spear
Assistant Examiner — Marissa J Cash
(74) *Attorney, Agent, or Firm* — Hayes Soloway PC

(57) **CLAIM**

The ornamental design for a ninja flyer toy, as shown and described.

DESCRIPTION

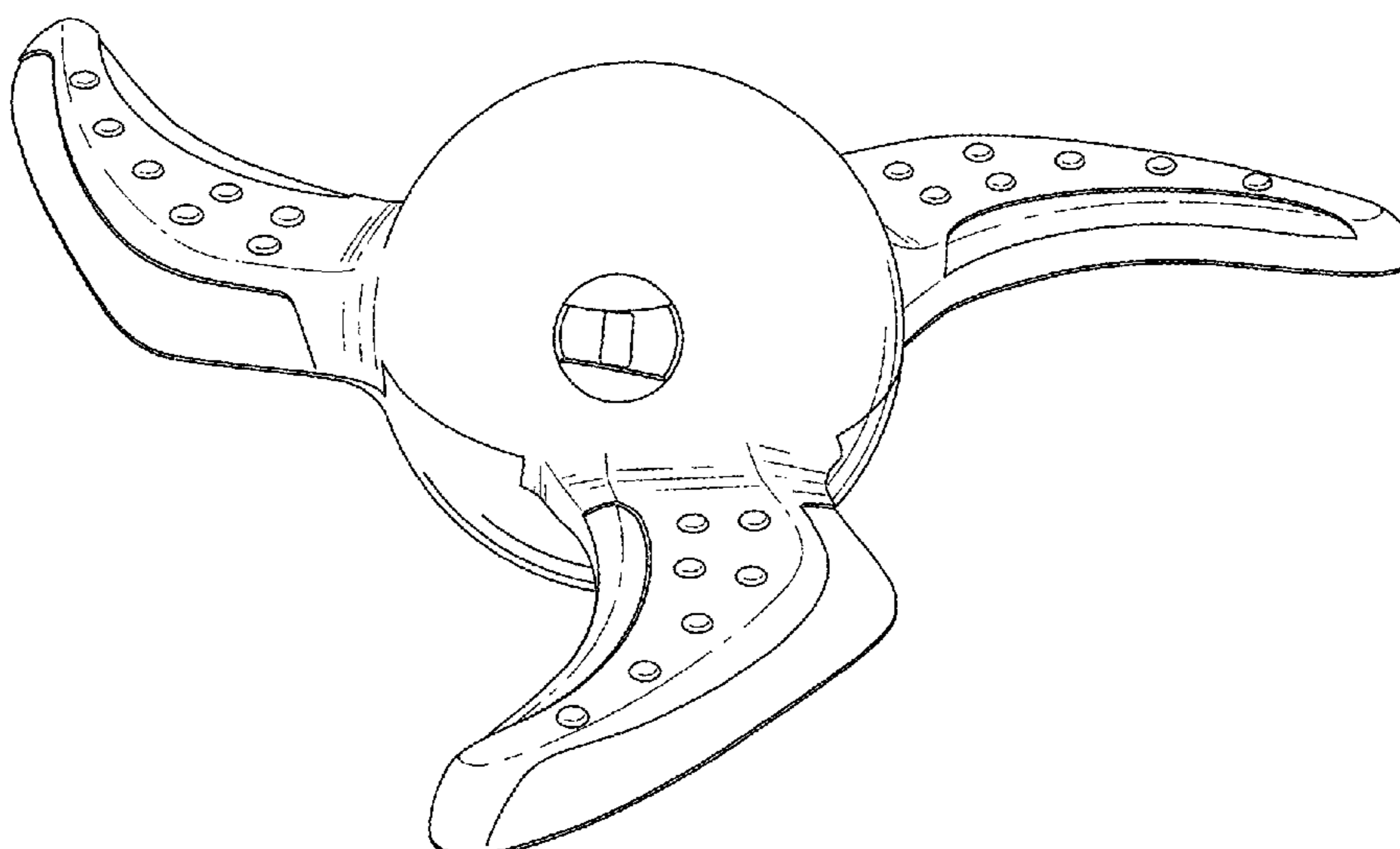
FIG. 1 is a first isometric view of a ninja flyer toy, showing my new design;
FIG. 2 is a second isometric view thereof;
FIG. 3 is a left side elevational view thereof;
FIG. 4 is a rear elevational view thereof;
FIG. 5 is a rear side elevational view thereof;
FIG. 6 is a front side elevational view thereof;
FIG. 7 is a top view thereof; and,
FIG. 8 is a bottom view thereof.

1 Claim, 5 Drawing Sheets

(56) **References Cited**

U.S. PATENT DOCUMENTS

- D199,250 S * 9/1964 Carmichael D21/441
- D213,987 S * 4/1969 Benze D21/441
- 4,262,911 A 4/1981 Opresik et al.
- D305,344 S * 1/1990 Stanzel D21/444
- 4,893,809 A * 1/1990 Blankenzee A63B 5/166 482/77
- D317,335 S * 6/1991 Lovik D21/440
- 5,181,724 A * 1/1993 Spadoni F41J 9/165 273/127 A
- 5,253,866 A 10/1993 Moorman et al.
- 5,297,799 A * 3/1994 Slater A63B 59/20 273/412
- D346,626 S * 5/1994 St. Lawrence D21/443



(56)

References Cited

U.S. PATENT DOCUMENTS

6,997,828 B1 * 2/2006 Yang A63B 65/08
 473/590
 D526,029 S * 8/2006 Ragonetti A01K 15/025
 D21/444
 D536,396 S * 2/2007 Crane D21/444
 D552,690 S * 10/2007 Shi D21/444
 D561,235 S * 2/2008 Larsen D17/20
 D564,042 S * 3/2008 Roy D21/443
 7,513,220 B2 4/2009 Ragonetti et al.
 D610,207 S * 2/2010 Chernick D21/437
 D640,329 S * 6/2011 Oblack D21/444
 D640,757 S * 6/2011 Cheng D21/451
 D642,630 S * 8/2011 Johnson D21/444
 D642,631 S * 8/2011 Johnson D21/444
 D642,632 S * 8/2011 Johnson D21/444
 D650,536 S * 12/2011 Oblack D21/713
 8,113,905 B2 * 2/2012 Davis A63H 27/12
 244/12.2

8,123,585 B1 * 2/2012 Strong A63H 1/10
 446/233
 D672,398 S * 12/2012 Kondou D21/373
 D677,739 S * 3/2013 Wojtaszek D21/437
 D700,755 S * 3/2014 Reiss D30/121
 D712,602 S * 9/2014 Chen D30/160
 D724,156 S * 3/2015 Fisher D21/444
 D724,795 S * 3/2015 Cook D30/160
 D729,322 S * 5/2015 Fisher D21/437
 D729,332 S * 5/2015 Foxcroft D21/801
 9,119,506 B2 * 9/2015 Shendelman A47J 43/00
 D751,258 S * 3/2016 Setser D30/160
 9,301,496 B2 * 4/2016 Reiss A01K 5/0114
 D758,024 S * 5/2016 Setser D30/160
 D761,921 S * 7/2016 Schmelter D21/441
 D779,136 S * 2/2017 Eisenbarth D30/160
 9,650,132 B2 * 5/2017 Fengler B64C 27/08
 2001/0024923 A1 * 9/2001 Streit A63H 27/12
 446/36
 2013/0037012 A1 * 2/2013 Gaus F41F 7/00
 124/4

* cited by examiner

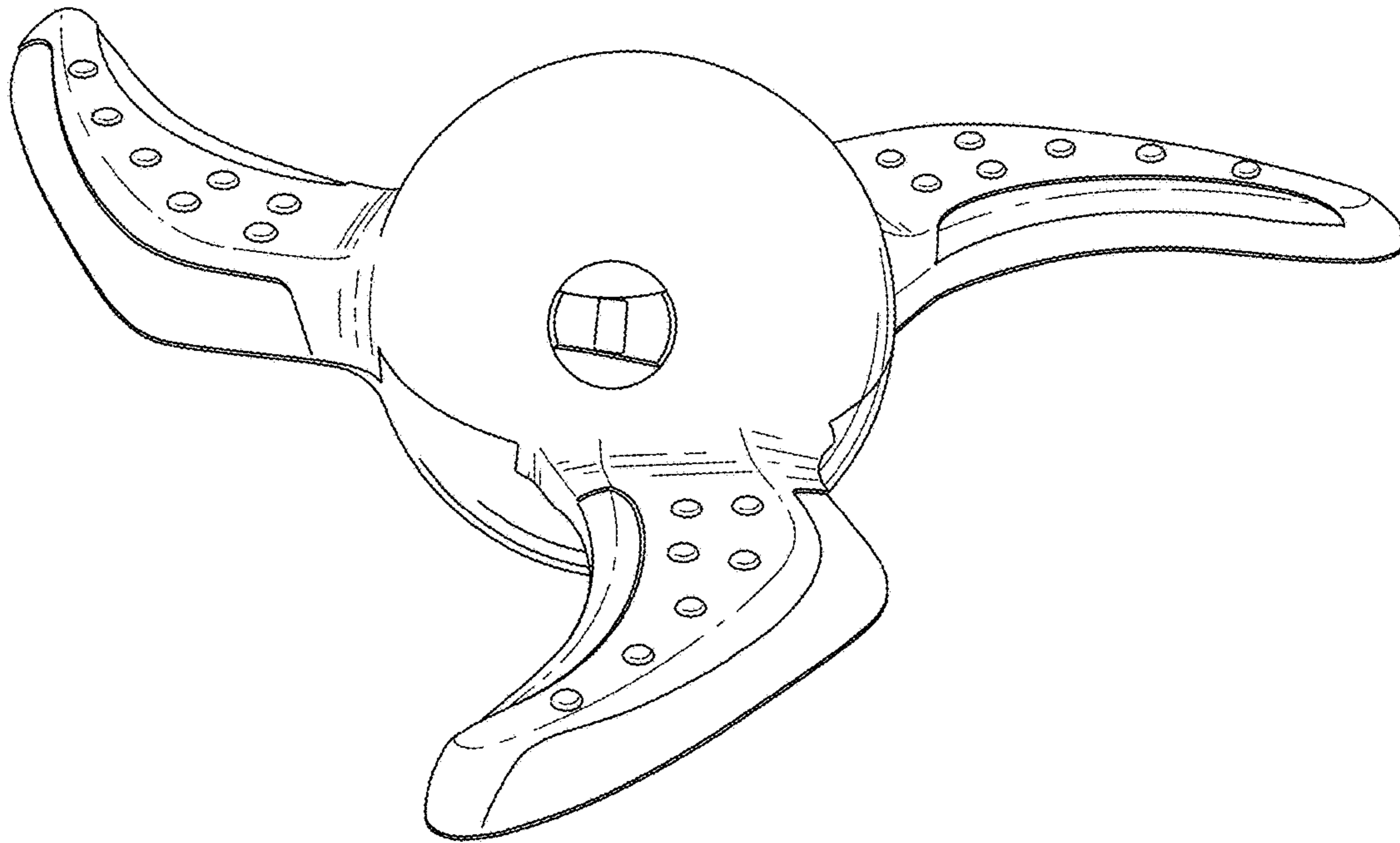


Fig. 1

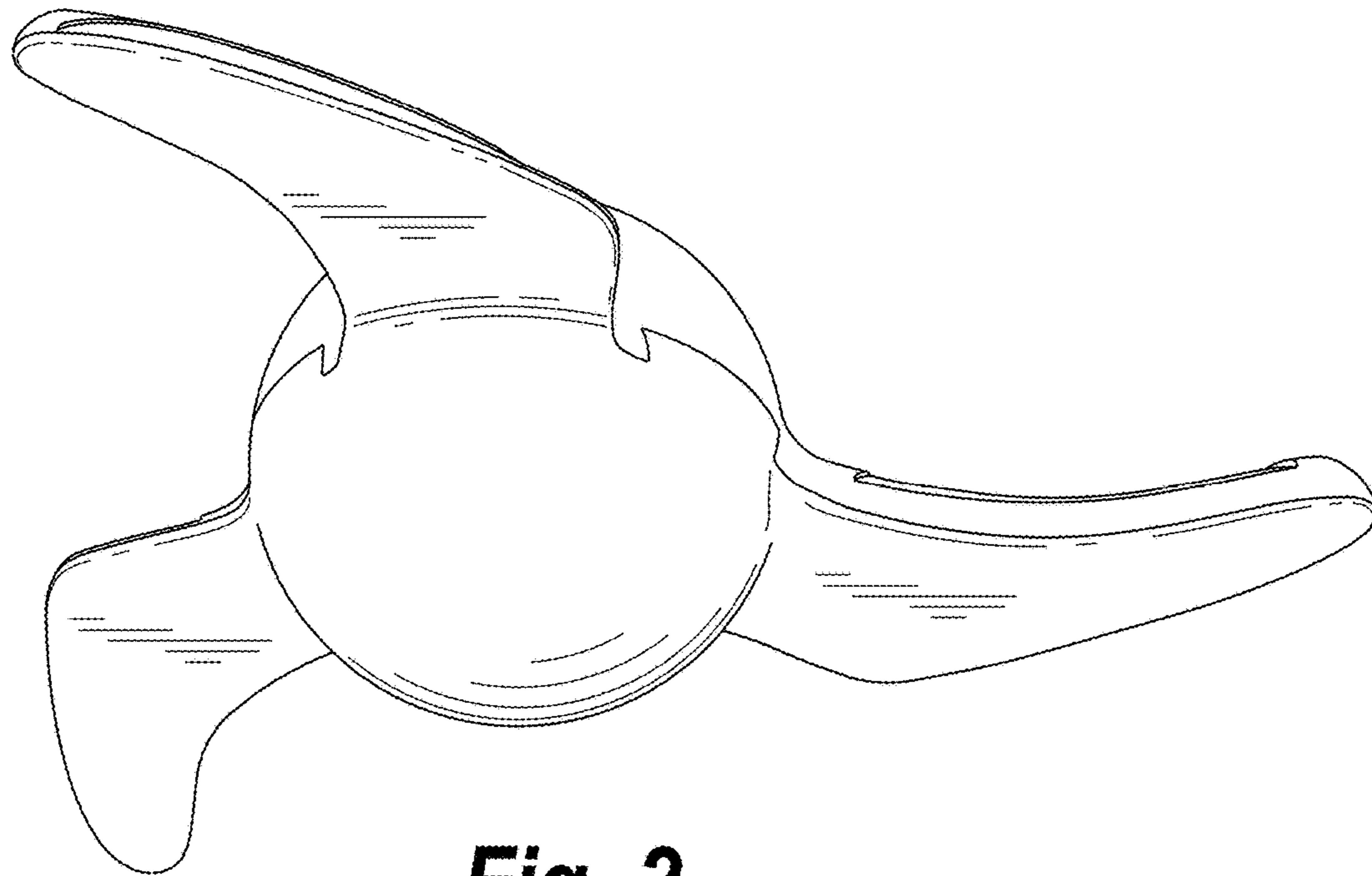


Fig. 2

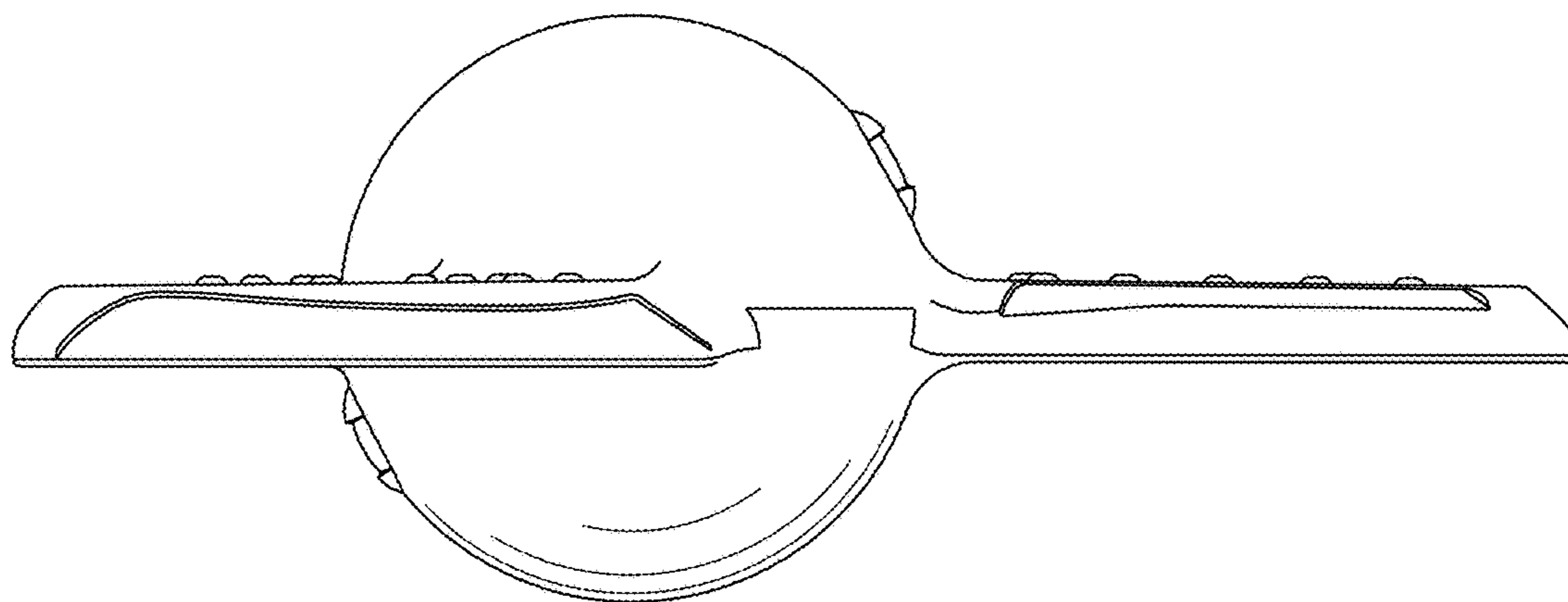


Fig. 3

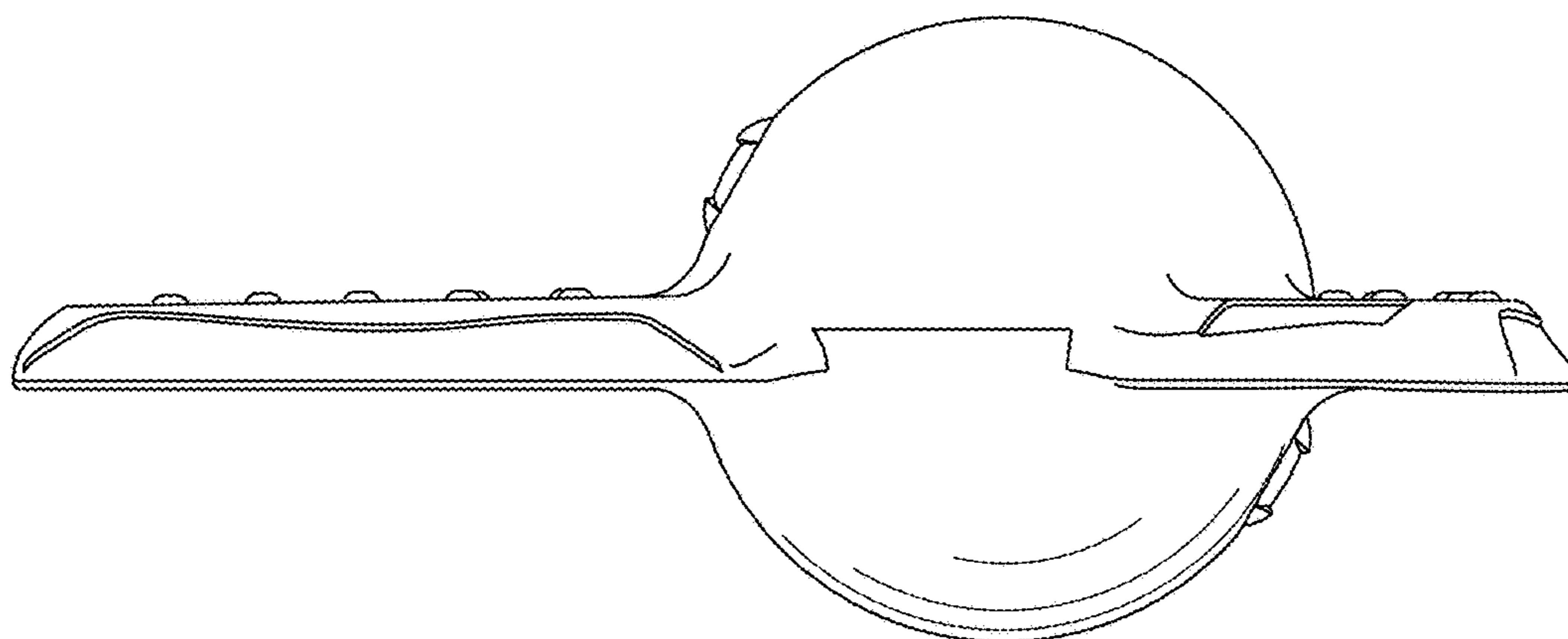


Fig. 4

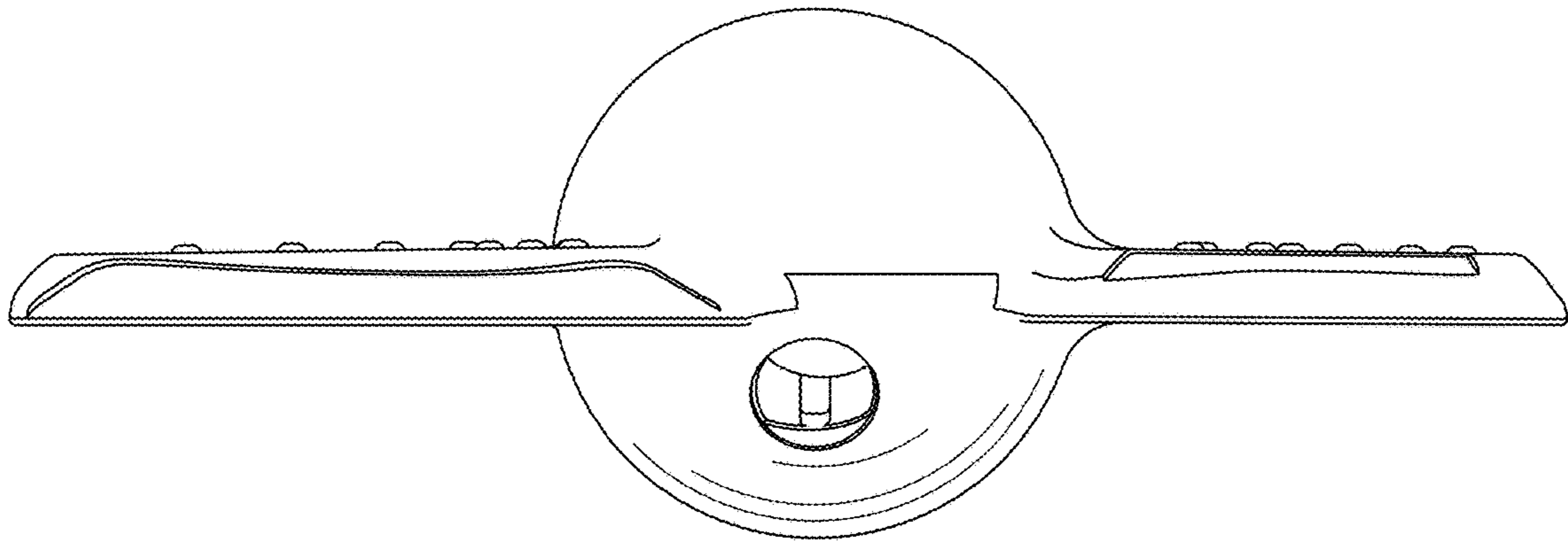


Fig. 5

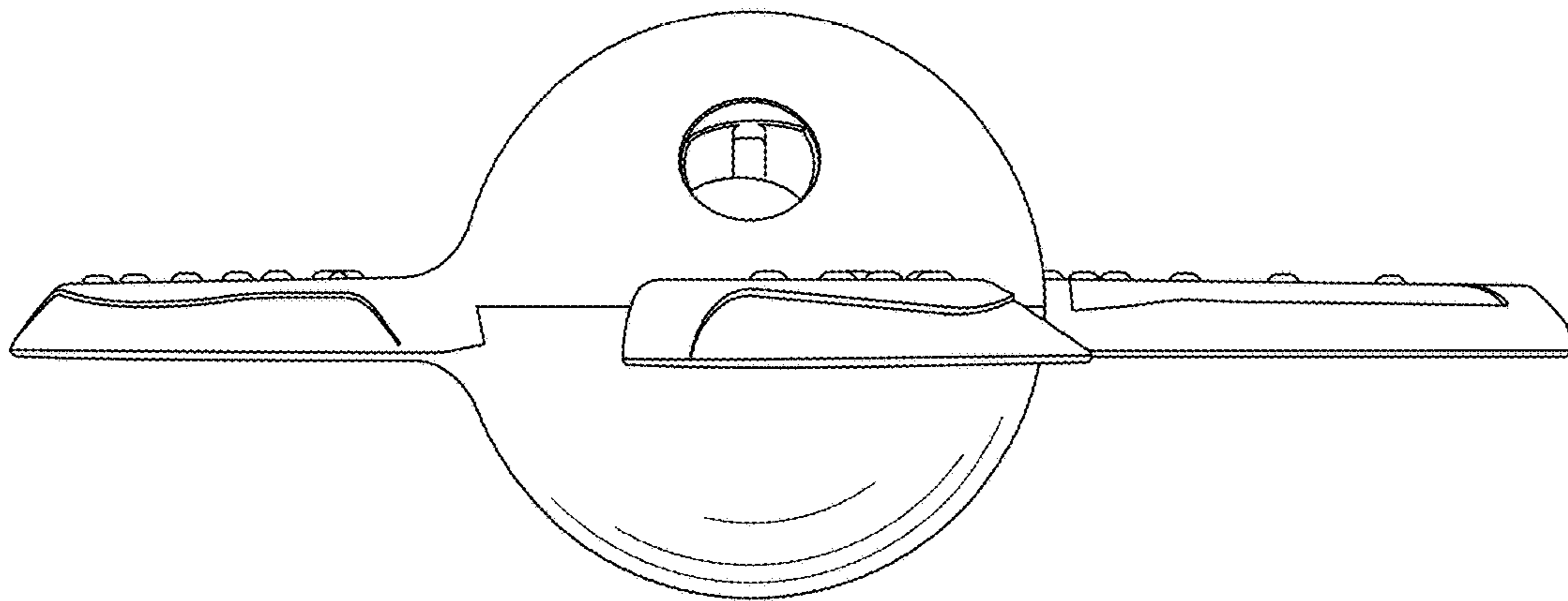


Fig. 6

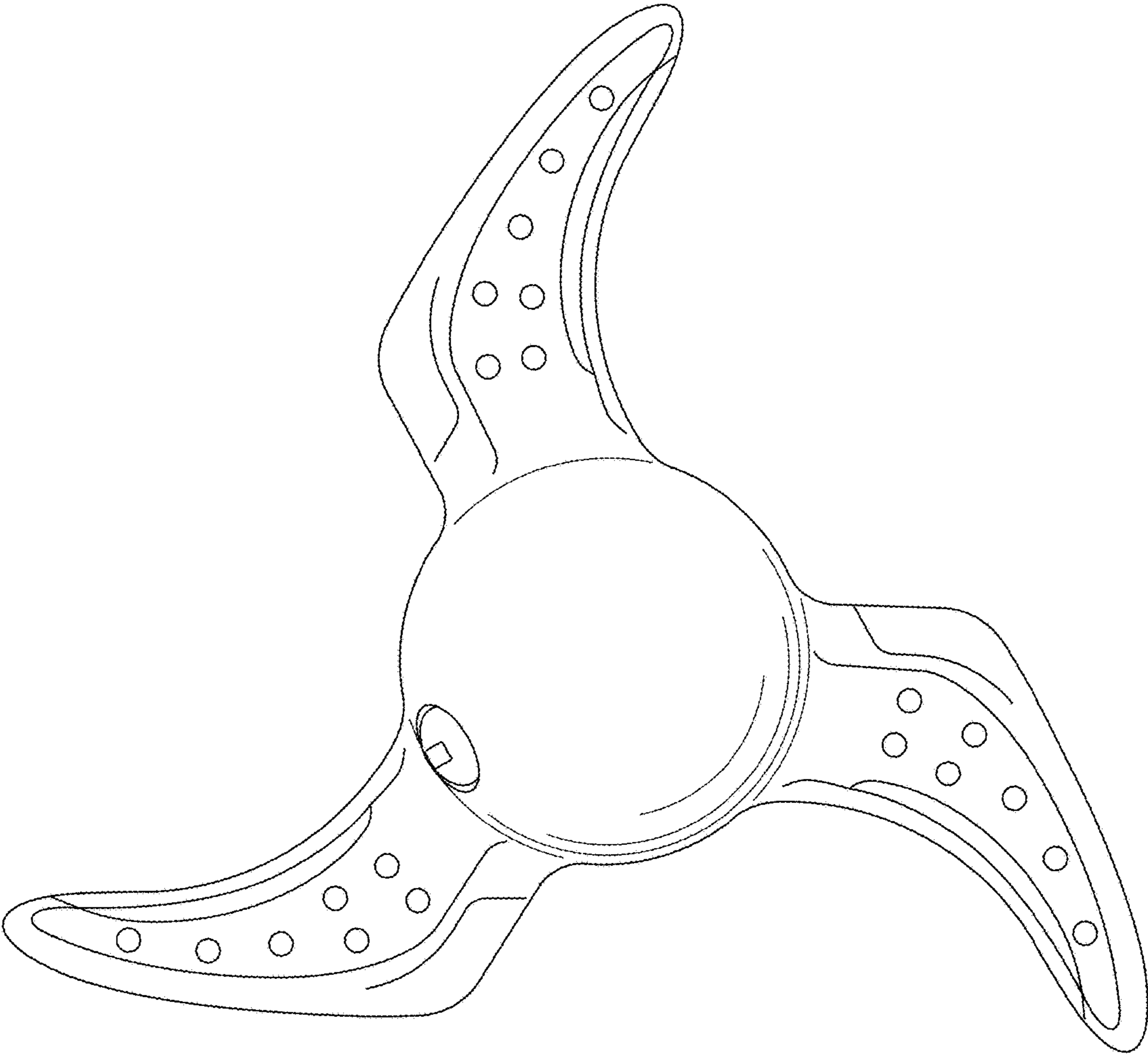


Fig. 7

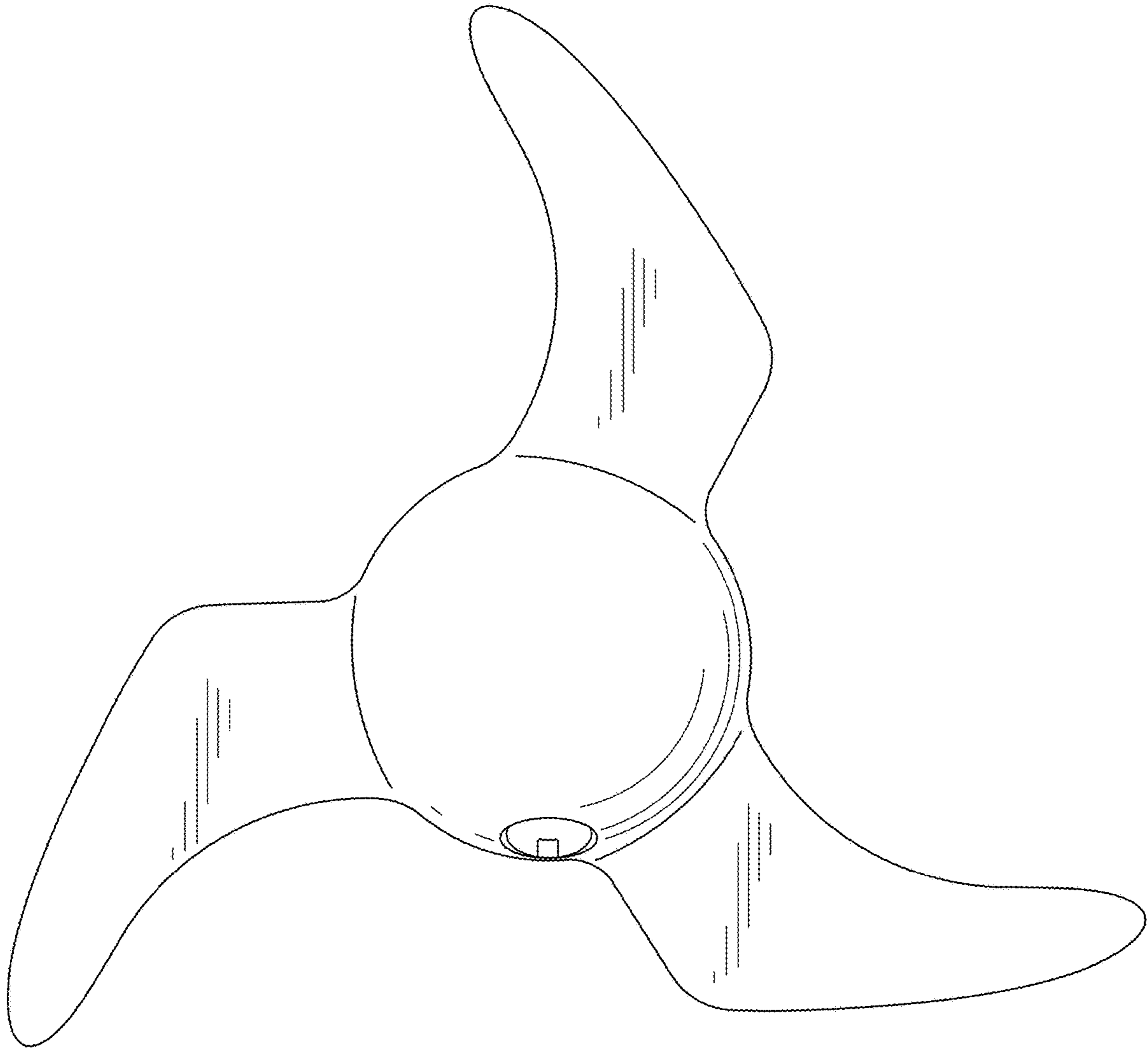


Fig. 8