



US00D803324S

(12) **United States Design Patent**
Bussey et al.

(10) **Patent No.:** **US D803,324 S**

(45) **Date of Patent:** **** Nov. 21, 2017**

(54) **GAMING MACHINE**

(71) Applicants: **Travis Bussey**, Austin, TX (US);
Michael Conway, Austin, TX (US);
Raymond Dumbeck, Austin, TX (US);
Daniel Gibson, Austin, TX (US)

(72) Inventors: **Travis Bussey**, Austin, TX (US);
Michael Conway, Austin, TX (US);
Raymond Dumbeck, Austin, TX (US);
Daniel Gibson, Austin, TX (US)

(73) Assignee: **Everi Games Inc.**, Austin, TX (US)

(**) Term: **15 Years**

(21) Appl. No.: **29/540,703**

(22) Filed: **Sep. 26, 2015**

(51) **LOC (10) Cl.** **21-02**

(52) **U.S. Cl.**
USPC **D21/370**

(58) **Field of Classification Search**
USPC D21/369, 370, 371, 385, 329, 325, 394;
D14/307, 172, 129, 325, 401, 371, 126,
D14/439, 432, 450, 128, 375; 463/28,
463/13, 11, 16, 20, 25, 31, 46, 23, 30, 17,
463/36, 29, 42, 34, 32, 35, 19, 21, 22;
273/292, 203, 138.2, 143 R, 142 R, 138.1;
D19/60; D16/226; D8/335, 331, 334;
D26/14
CPC G07F 17/32; G07F 17/34; G07F 17/3211;
G07F 17/3244; G07F 17/3267
See application file for complete search history.

(56) **References Cited**

U.S. PATENT DOCUMENTS

D467,284 S * 12/2002 Yamanaka D21/370
D535,338 S * 1/2007 Linard D21/369
D564,600 S * 3/2008 Greenberg D21/370
D564,601 S * 3/2008 Strahinic D21/370

D566,197 S * 4/2008 Greenberg D21/370
D572,314 S * 7/2008 Vallejo D21/370
D573,201 S * 7/2008 Hashimoto D21/370
D586,866 S * 2/2009 Hsu D21/370
D599,858 S * 9/2009 Lesley D21/370
D603,909 S * 11/2009 De Viveiros Ortiz D21/325

(Continued)

OTHER PUBLICATIONS

Core HDX by Everi dated Feb. 20, 2016. Found online [Feb. 20, 2017] <https://vimeo.com/140691778>.*

(Continued)

Primary Examiner — Robert M Spear

Assistant Examiner — Ryan Harvey

(74) *Attorney, Agent, or Firm* — Nathan Calvert, Esq.; JP Cody, Esq.; Russell D. Culbertson, Esq.

(57) **CLAIM**

The ornamental design for a gaming machine, as shown and described.

DESCRIPTION

FIG. 1 is a right perspective view from the front and above of a gaming machine showing the new design.

FIG. 2 is a front view of the gaming machine shown in FIG. 1.

FIG. 3 is a left side view of the gaming machine shown in FIG. 1.

FIG. 4 is a top view of the gaming machine shown in FIG. 1.

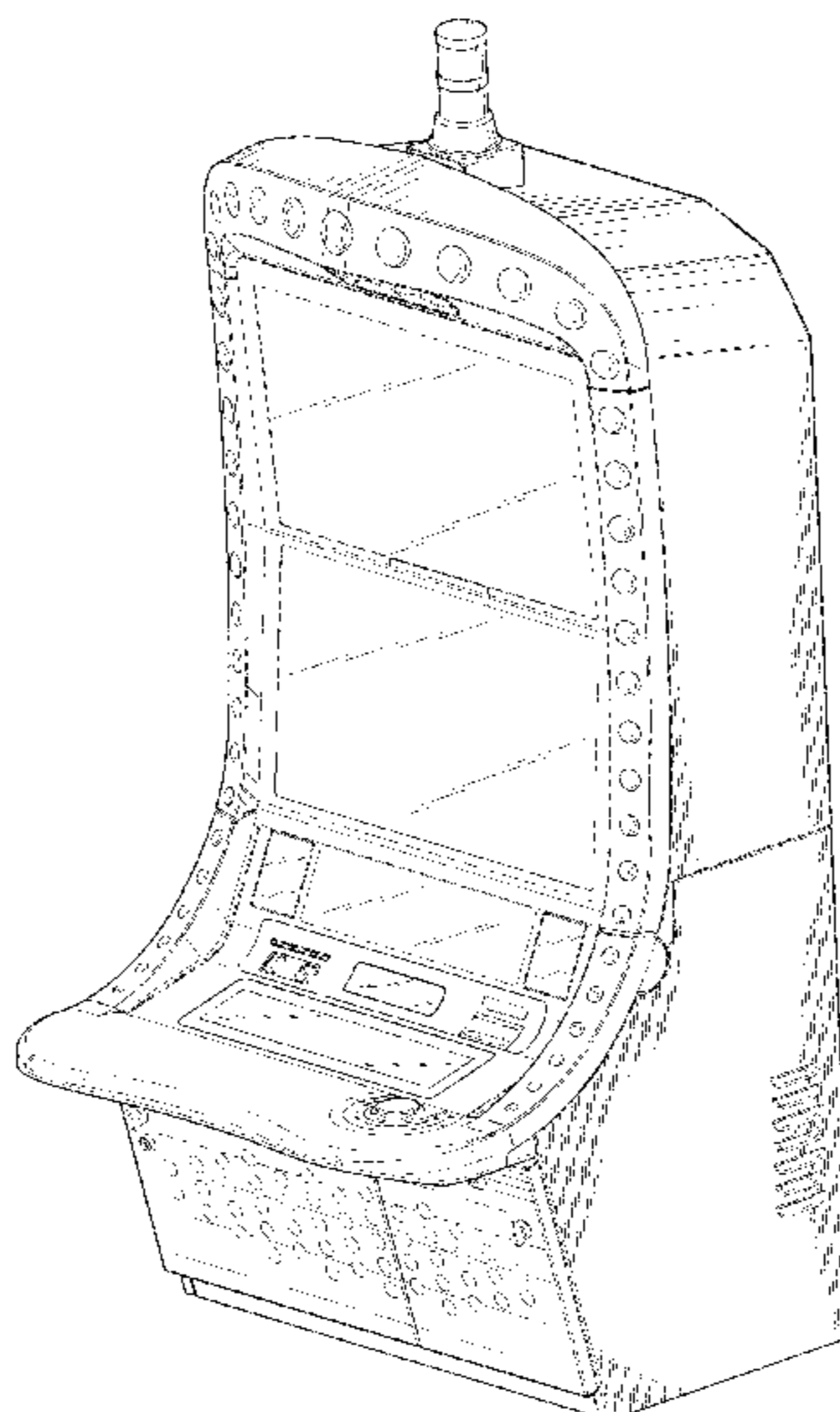
FIG. 5 is a bottom view of the gaming machine shown in FIG. 1.

FIG. 6 is a rear view of the gaming machine shown in FIG. 1; and,

FIG. 7 is a right perspective view from the front and of below the gaming machine shown in FIG. 1.

The broken line showing of portions of the gaming machine depicts environment and forms no part of the claim.

1 Claim, 6 Drawing Sheets



(56)

References Cited

U.S. PATENT DOCUMENTS

D604,368 S * 11/2009 Lesley D21/370
 D604,773 S * 11/2009 De Viveiros Ortiz D21/325
 D604,774 S * 11/2009 De Viveiros Ortiz D21/325
 D605,231 S * 12/2009 Hashimoto D21/325
 D612,432 S * 3/2010 De Viveiros Ortiz D21/325
 D613,802 S * 4/2010 Meyers D21/370
 D615,598 S * 5/2010 McComb D21/370
 D616,039 S * 5/2010 Bruzzese D21/370
 D619,177 S * 7/2010 Lee D21/325
 D619,660 S * 7/2010 Cole D21/370
 D622,323 S * 8/2010 De Viveiros Ortiz D21/325
 D622,780 S * 8/2010 Lesley D21/369
 D622,781 S * 8/2010 Lesley D21/369
 D626,182 S * 10/2010 Cole D21/369
 D626,183 S * 10/2010 Cole D21/370
 D632,342 S * 2/2011 Wen D21/370
 D633,950 S * 3/2011 Terpstra D21/369
 7,985,139 B2 * 7/2011 Lind G07F 17/32
 463/46
 D649,605 S * 11/2011 Terpstra D21/370
 8,303,420 B2 * 11/2012 Chudek G07F 17/32
 463/46
 D673,619 S * 1/2013 Seelig D21/369
 D674,023 S * 1/2013 Seelig D21/369
 D677,736 S * 3/2013 Dorn D21/370
 D684,216 S * 6/2013 Terpstra D21/370
 D684,637 S * 6/2013 Shelley D21/370
 D685,435 S * 7/2013 Hohman D21/370
 D691,666 S * 10/2013 Lesley D21/370
 D697,558 S * 1/2014 Myers D21/325
 D704,273 S * 5/2014 Chudek D21/369
 D704,275 S * 5/2014 Lesley D21/370
 D705,872 S * 5/2014 Ortiz D21/370
 D708,676 S * 7/2014 Ballman D14/307
 D719,617 S * 12/2014 Inoue D21/369
 D721,766 S * 1/2015 Ferrazoli D21/370

D721,767 S * 1/2015 Ferrazoli D21/370
 D727,431 S * 4/2015 Themann D21/370
 D730,993 S * 6/2015 Castro D21/370
 D732,520 S * 6/2015 Themann D14/307
 D740,887 S * 10/2015 Randazzo D21/370
 9,373,215 B2 * 6/2016 Lind A63F 13/12
 D760,846 S * 7/2016 Castro D21/370
 9,514,608 B2 * 12/2016 Casey G07F 17/3262
 2004/0166937 A1 * 8/2004 Rothschild G07F 17/3209
 463/36
 2008/0311987 A1 * 12/2008 Hirato G07F 17/3216
 463/35
 2009/0124361 A1 * 5/2009 Gilmore G07F 17/3244
 463/26
 2010/0120541 A1 * 5/2010 Lesley G07F 17/3216
 463/46
 2011/0111847 A1 * 5/2011 Lesley G07F 17/32
 463/30
 2011/0136573 A1 * 6/2011 McComb A63F 13/08
 463/31
 2012/0083331 A1 * 4/2012 Carpenter G07F 17/3286
 463/25
 2013/0079157 A1 * 3/2013 Chudek G07F 17/3216
 463/46
 2013/0130777 A1 * 5/2013 Lemay G07F 17/3218
 463/25
 2013/0337878 A1 * 12/2013 Shepherd G07F 17/3223
 463/11
 2015/0087403 A1 * 3/2015 Castro G07F 17/3209
 463/25
 2016/0189483 A1 * 6/2016 Ballman G06Q 50/34
 463/28

OTHER PUBLICATIONS

Core HDX by Everi dated no date given. Found online [Feb. 20, 2017] <http://www.everi.com/games/cabinets/core-hdx/>.*

* cited by examiner

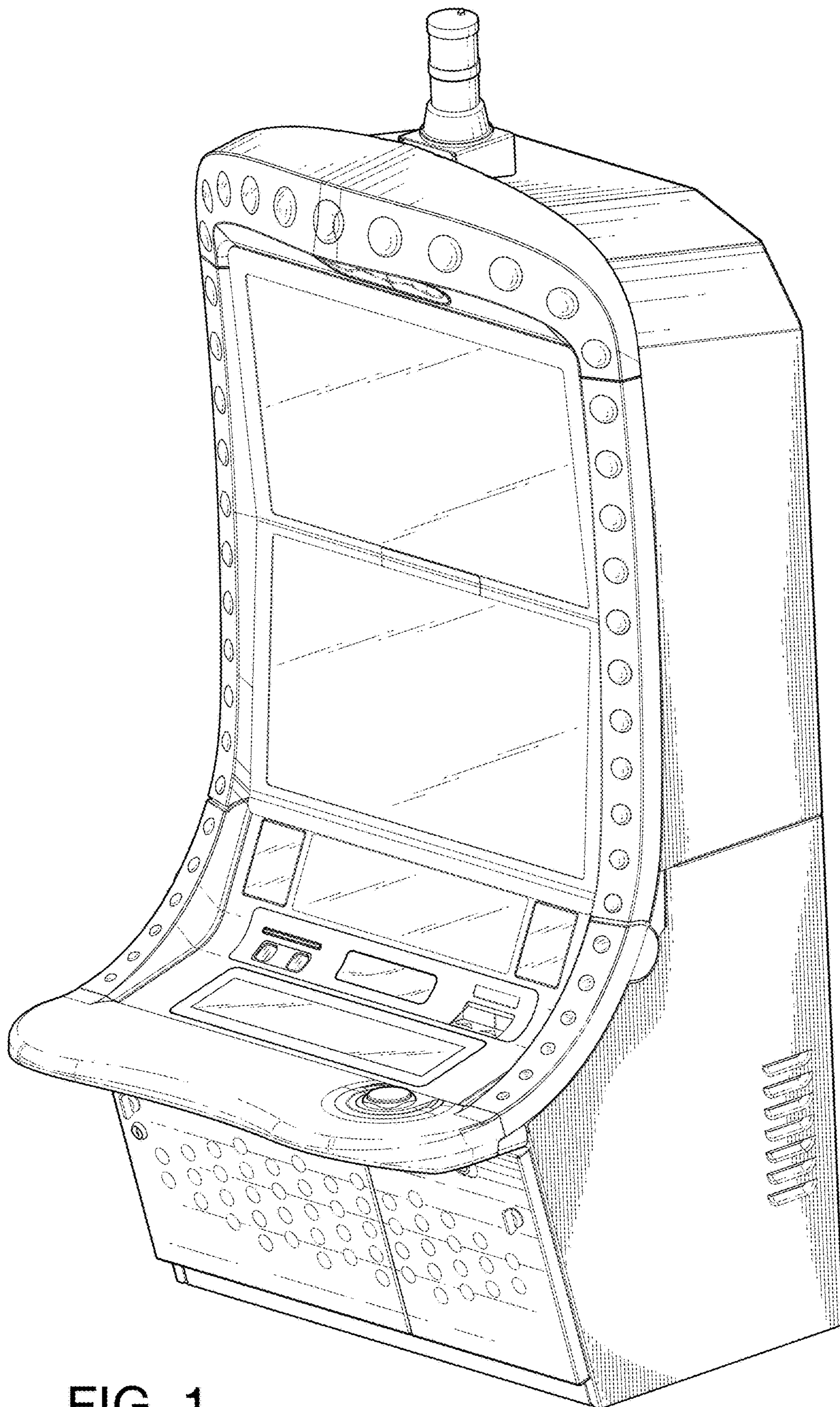


FIG. 1

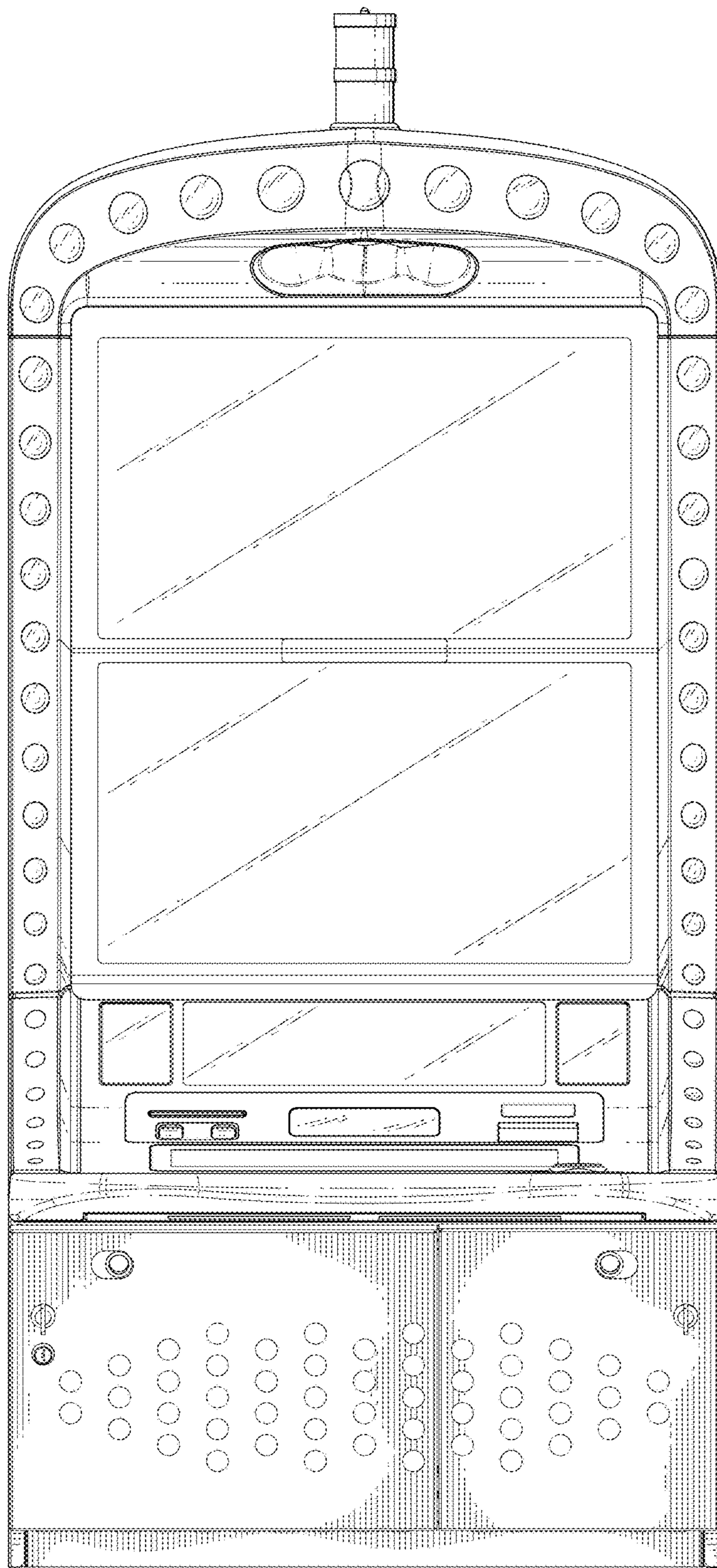


FIG. 2

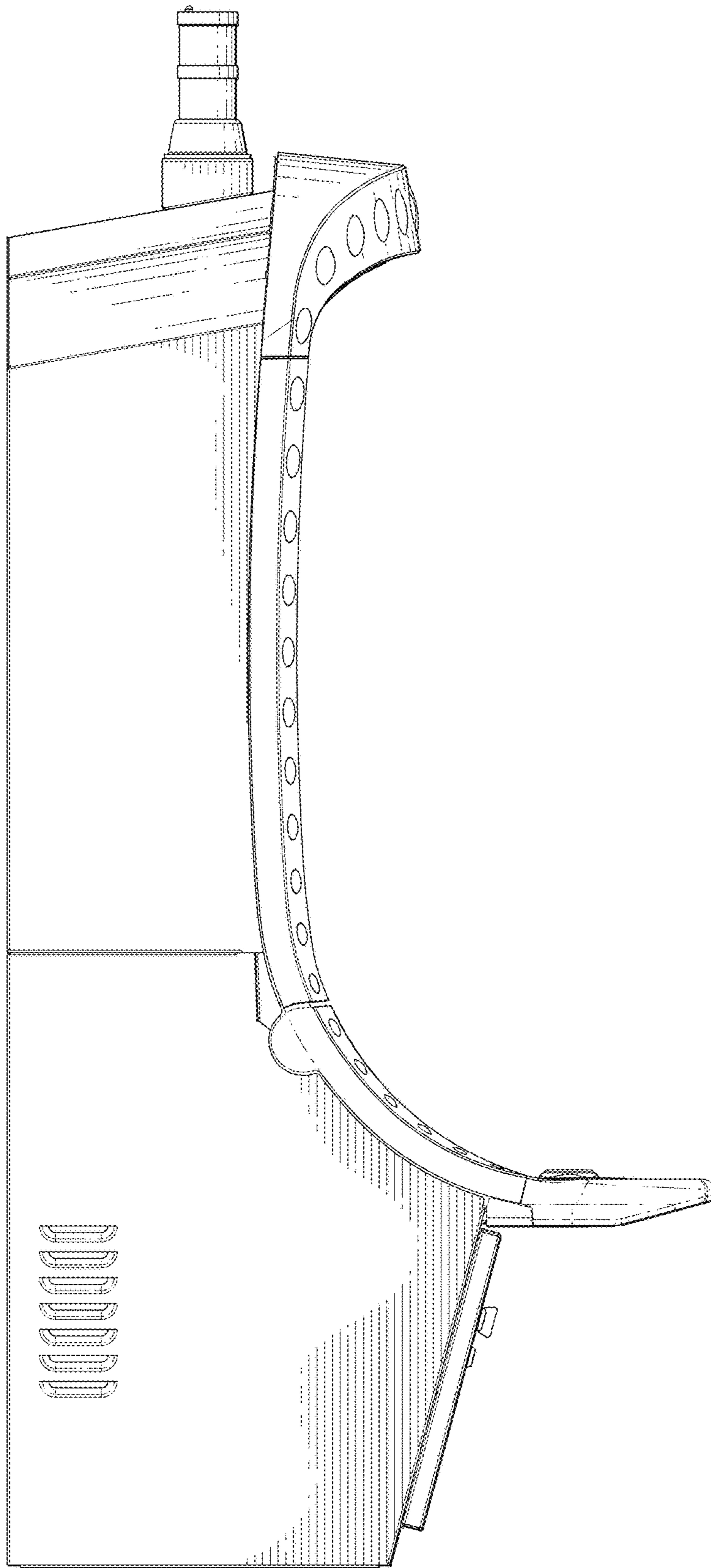


FIG. 3

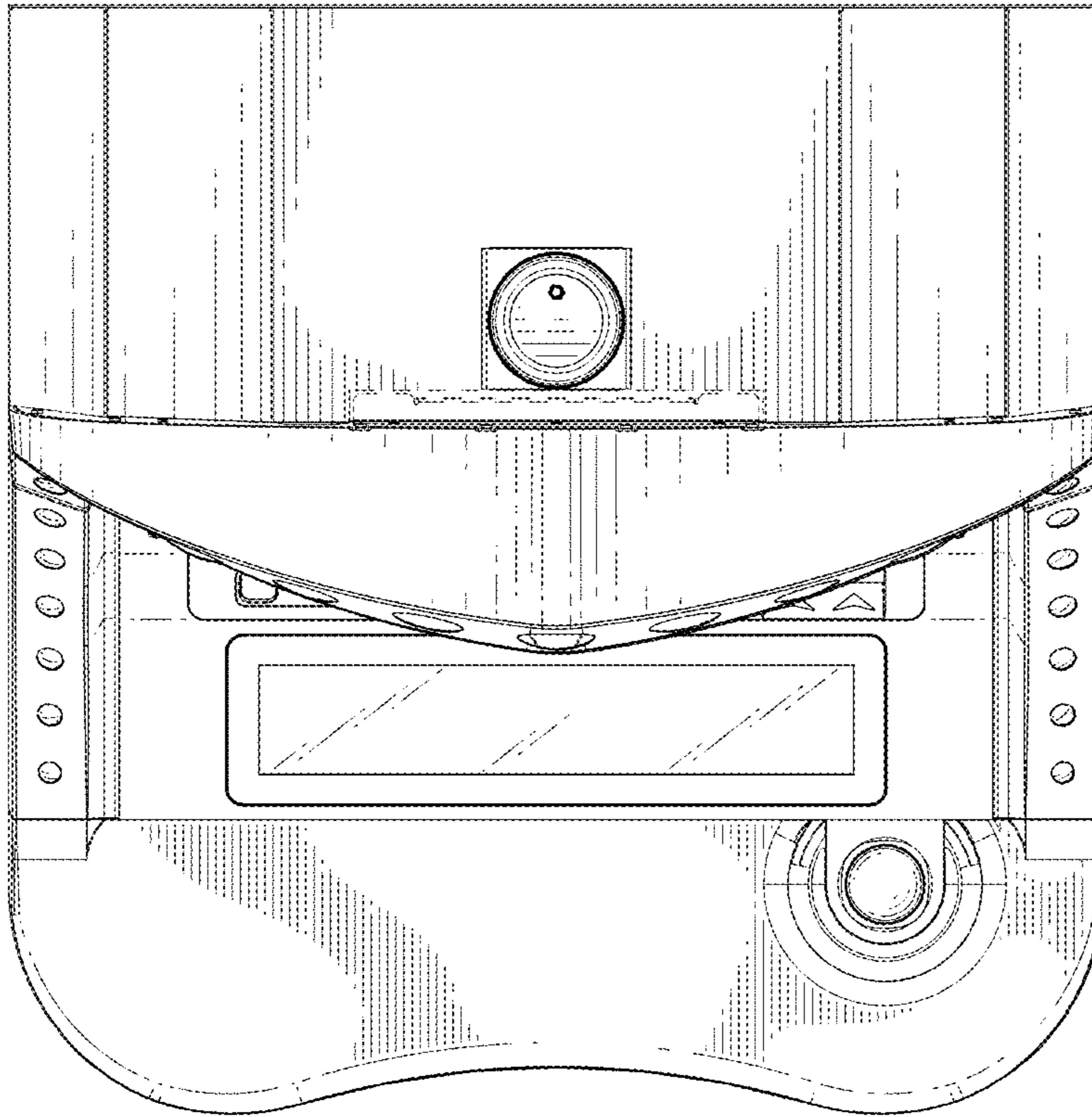


FIG. 4

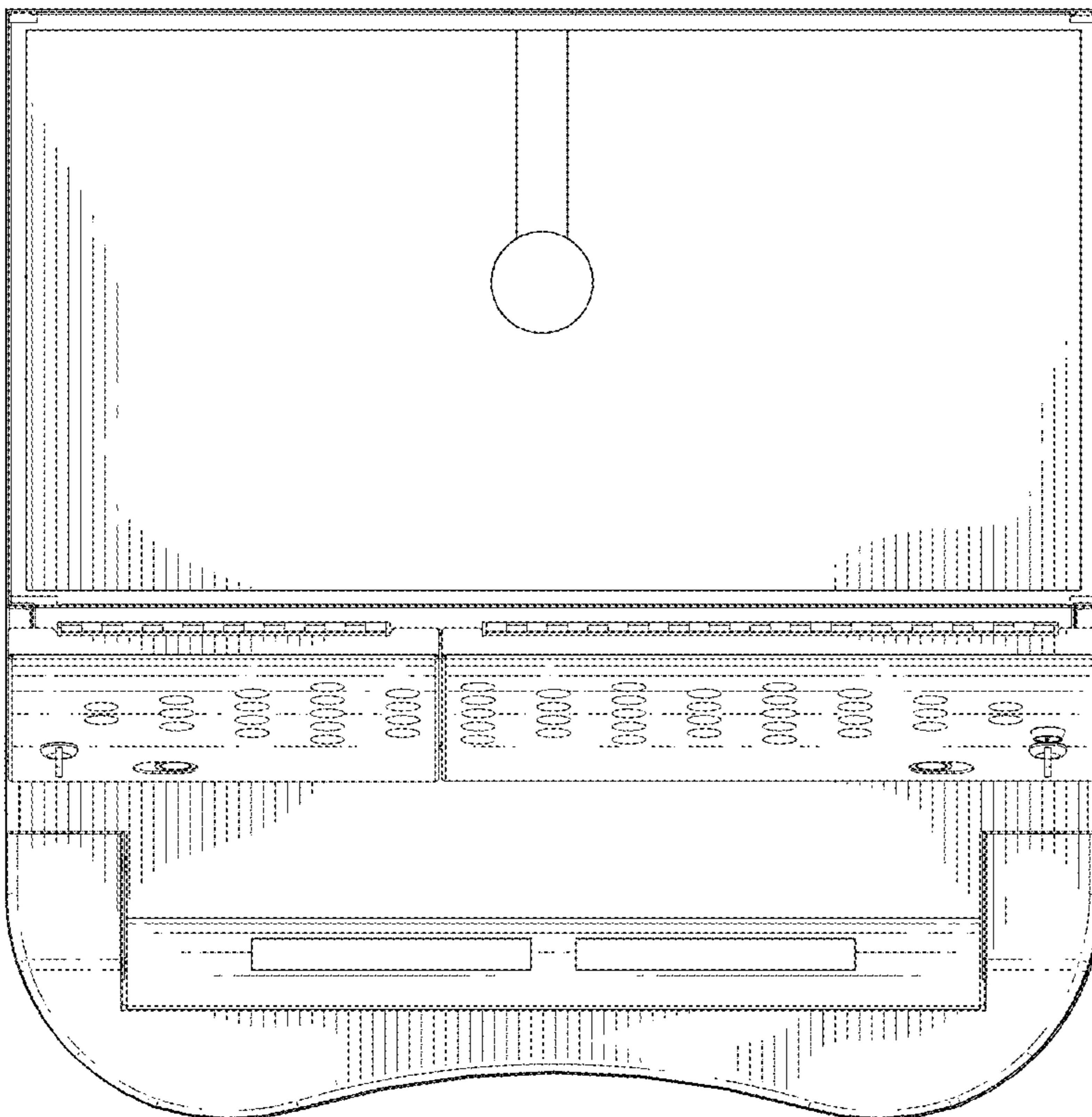


FIG. 5

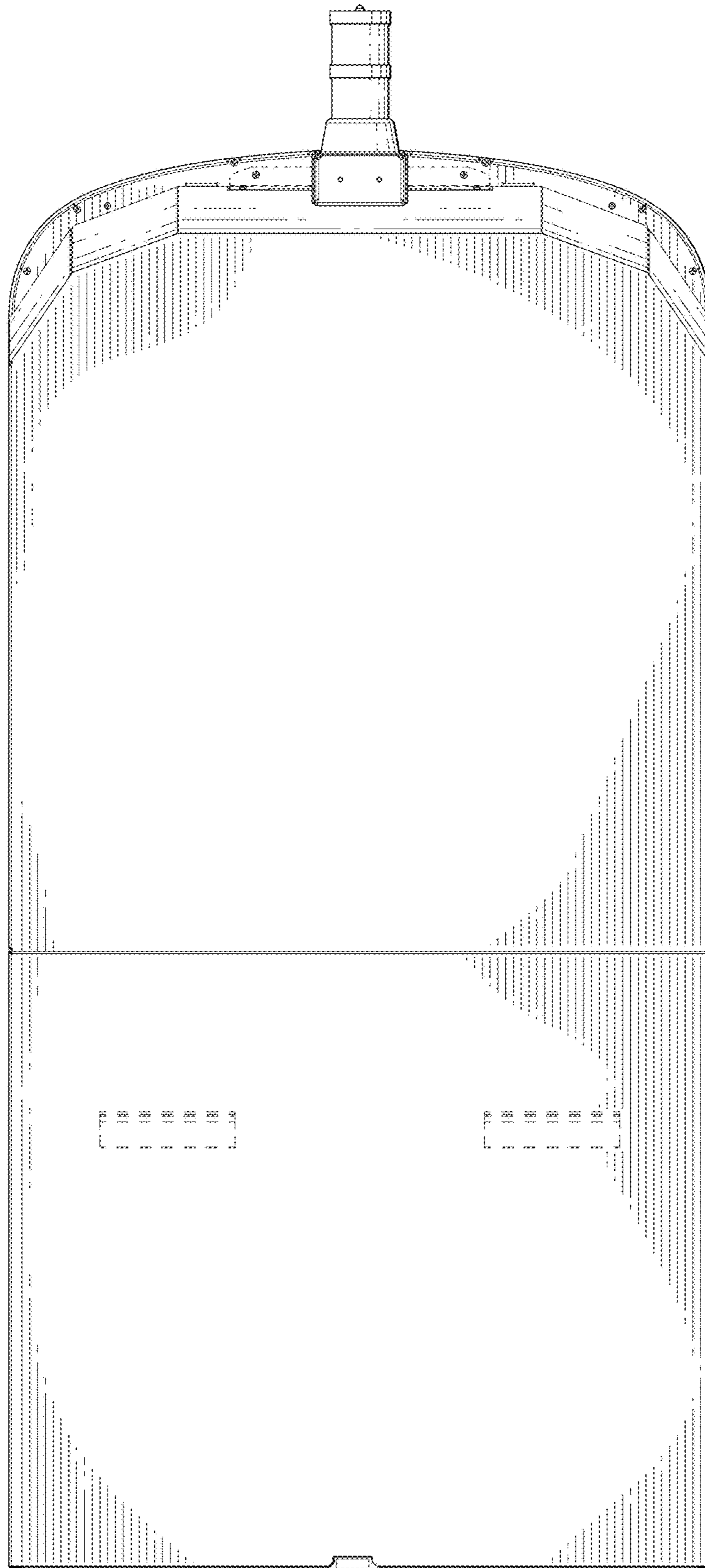


FIG. 6

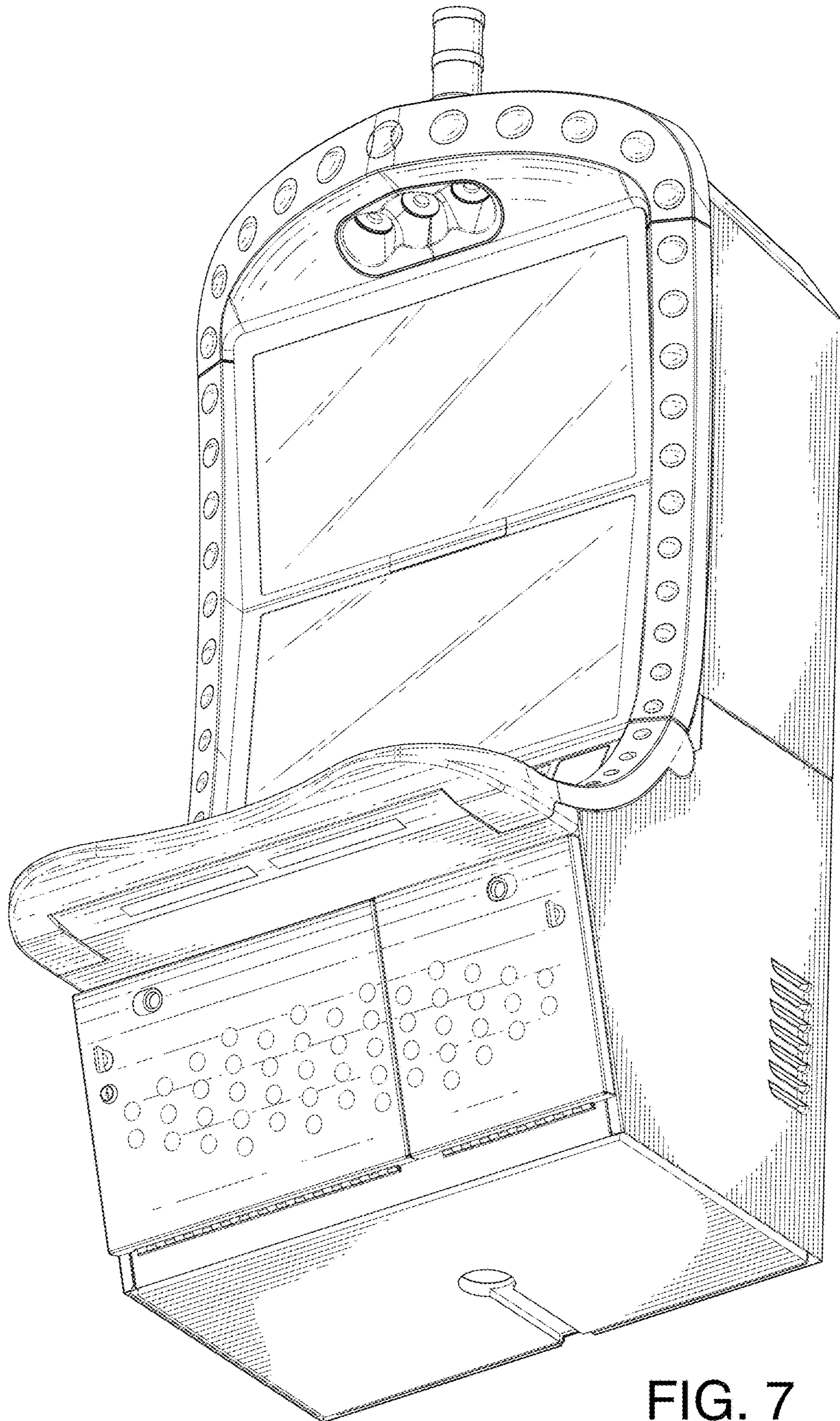


FIG. 7