



US00D803314S

(12) **United States Design Patent**
Chuang

(10) **Patent No.:** **US D803,314 S**

(45) **Date of Patent:** **** Nov. 21, 2017**

(54) **CLIPBOARD**

(71) Applicant: **Chih-Wei Chuang**, Bridgewater, NJ (US)

(72) Inventor: **Chih-Wei Chuang**, Bridgewater, NJ (US)

(73) Assignee: **Officemate International Corp.**, Edison, NJ (US)

(**) Term: **15 Years**

(21) Appl. No.: **29/620,410**

(22) Filed: **Nov. 29, 2016**

(51) **LOC (10) Cl.** **19-02**

(52) **U.S. Cl.**
USPC **D19/88**

(58) **Field of Classification Search**
USPC D3/273, 274; D19/86, 88-91
CPC B42F 9/00; B42F 9/001; B42F 9/008
See application file for complete search history.

(56) **References Cited**

U.S. PATENT DOCUMENTS

D347,728 S *	6/1994	Taniyama	D6/634
D495,746 S *	9/2004	Chen	D19/65
D611,543 S *	3/2010	Chen	D19/88
D647,969 S *	11/2011	Shamoon	D19/88
D666,674 S *	9/2012	Moore	D19/88
D697,553 S *	1/2014	Lee	D19/113
D697,554 S *	1/2014	Lee	D19/88
D748,726 S *	2/2016	Jui-Chen	D19/88
D769,972 S *	10/2016	Thomson	D19/88
2014/0346764 A1 *	11/2014	Lee	B43L 3/005 281/45
2017/0113482 A1 *	4/2017	Chang	B42F 9/008

OTHER PUBLICATIONS

Clipboard! Officemate OIC Carry All! posted at Amazon.com, posted on Sep. 5, 2016, © 1996-2017 Amazon.com, [online], [site visited Aug. 24, 2017]. Available from Internet, <URL: https://www.amazon.com/Officemate-Clipboard-Storage-Letter-83324/dp/B01LQUZQ31/ref=sr_1_1?ie=UTF8&qid=1503575271&sr=8-1&keywords=carry+all+clipbord+case>.*

* cited by examiner

Primary Examiner — Daniel Bui

Assistant Examiner — Andrew Kerr

(74) *Attorney, Agent, or Firm* — Daniel Kirshner

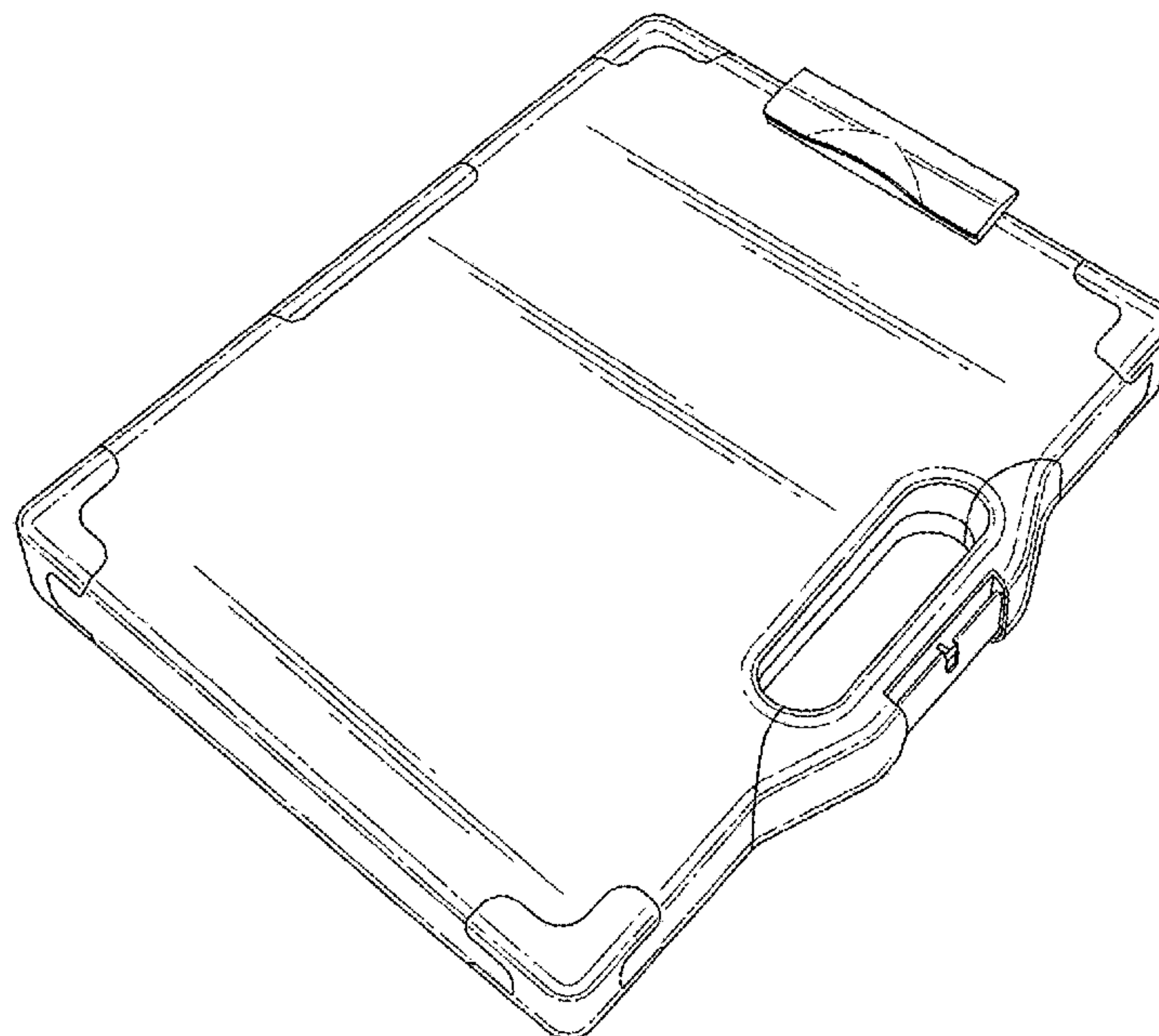
(57) **CLAIM**

The ornamental design for a clipboard, as shown and described.

DESCRIPTION

FIG. 1 is a side perspective view of a clipboard showing the new design;
FIG. 2 is top view thereof;
FIG. 3 is a bottom view thereof;
FIG. 4 is a left side thereof;
FIG. 5 is a right side view thereof;
FIG. 6 is a front view thereof;
FIG. 7 is a back view thereof;
FIG. 8 is a side perspective view thereof with clipboard in open condition; and,
FIG. 9 is a side perspective view thereof with clipboard in an alternate open condition.

1 Claim, 9 Drawing Sheets



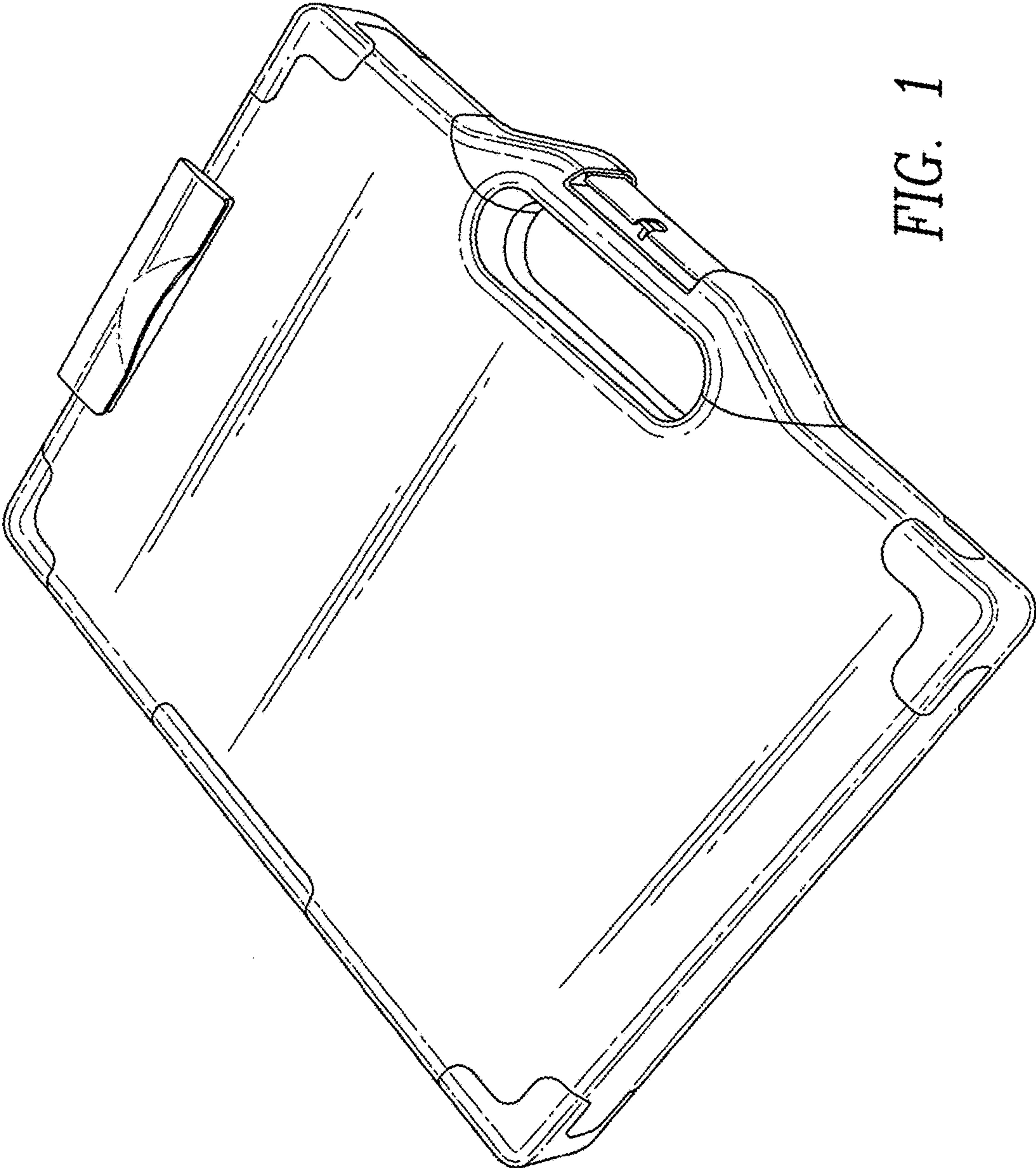


FIG. 1

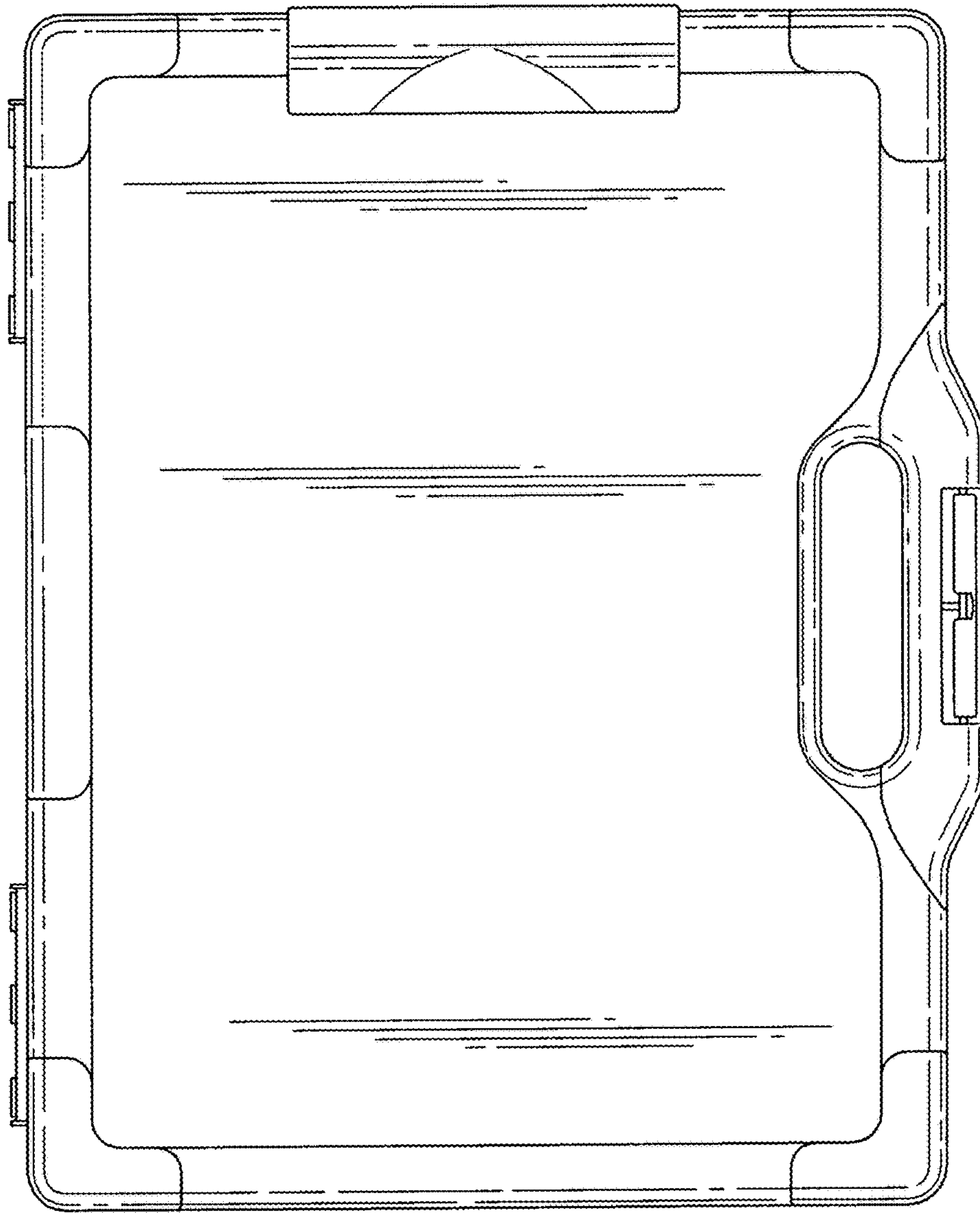


FIG. 2

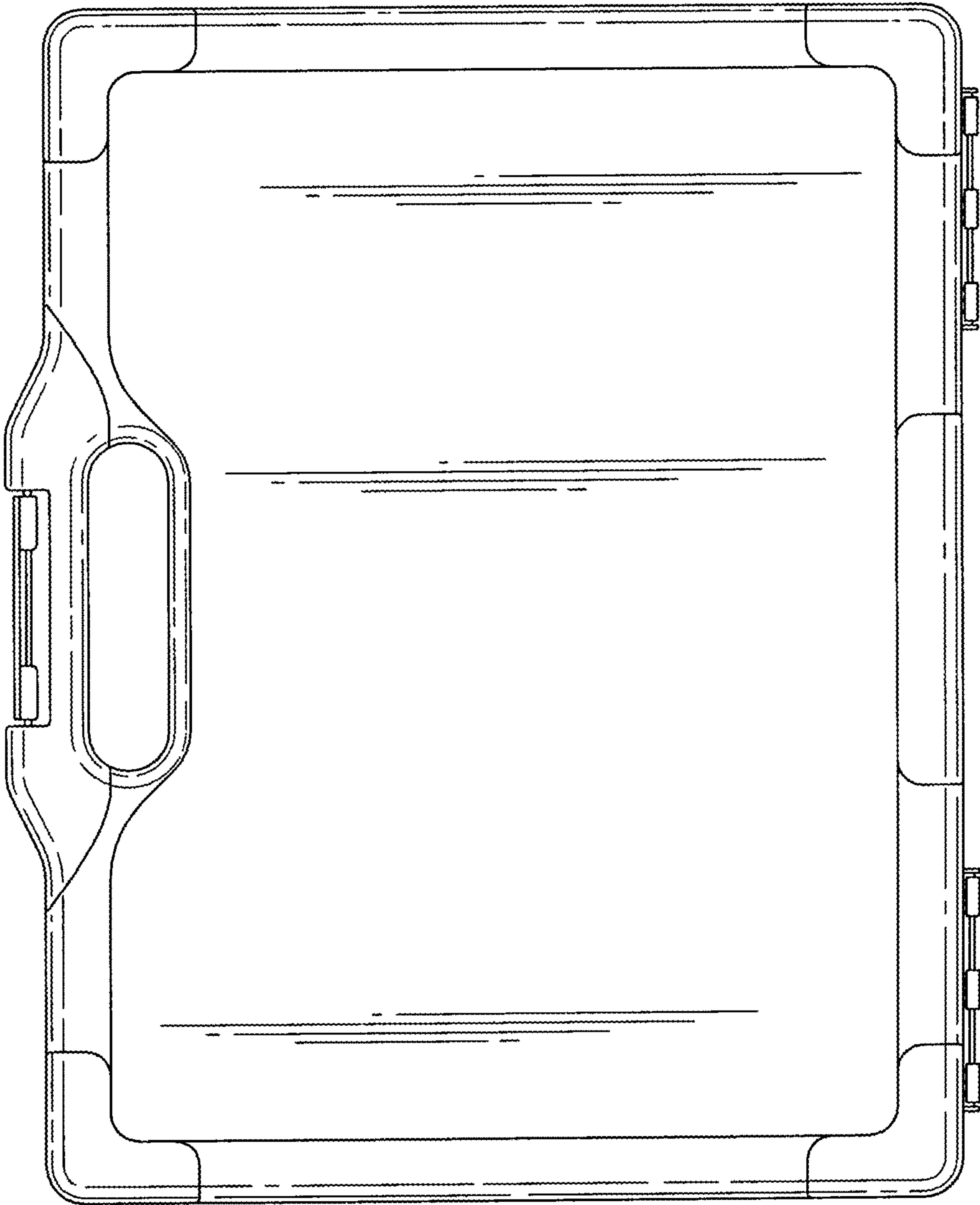


FIG. 3

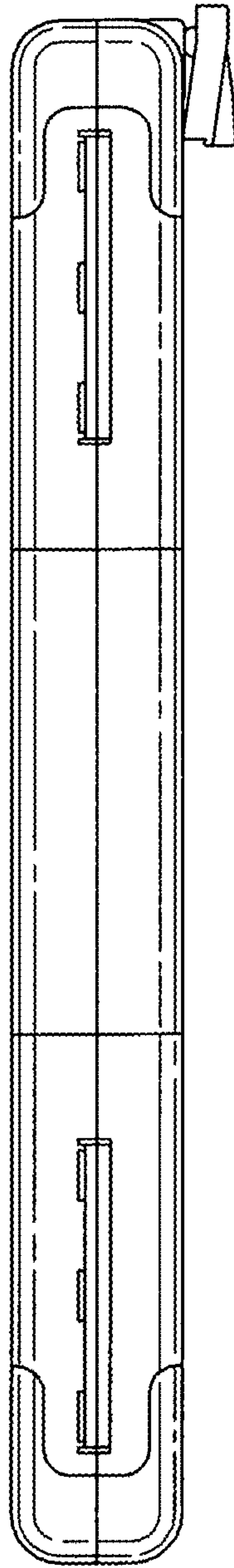


FIG. 4

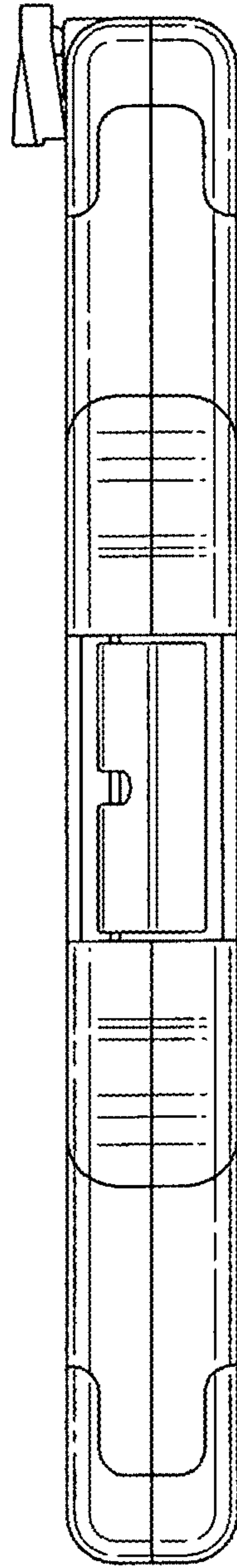


FIG. 5

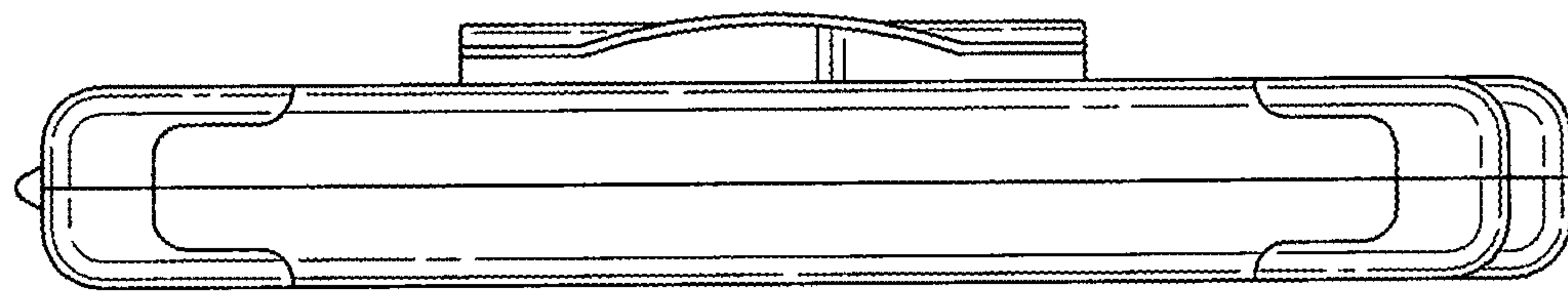


FIG. 6

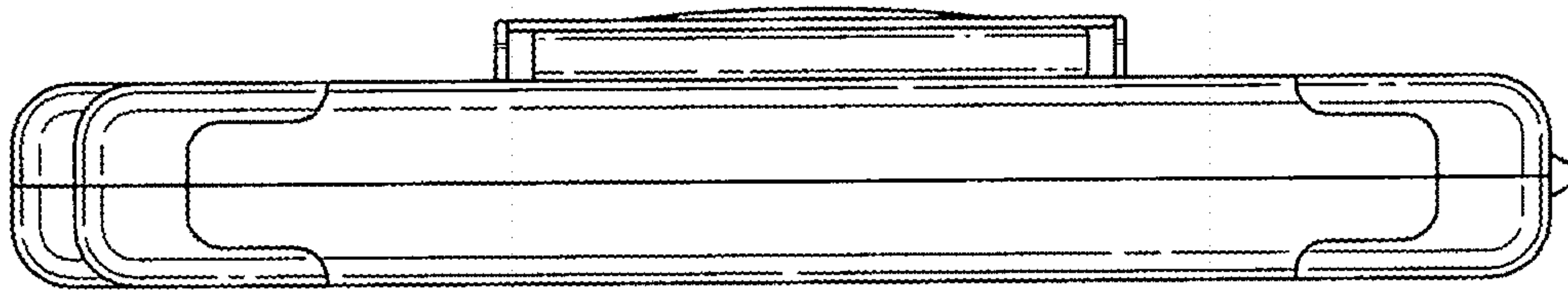


FIG. 7

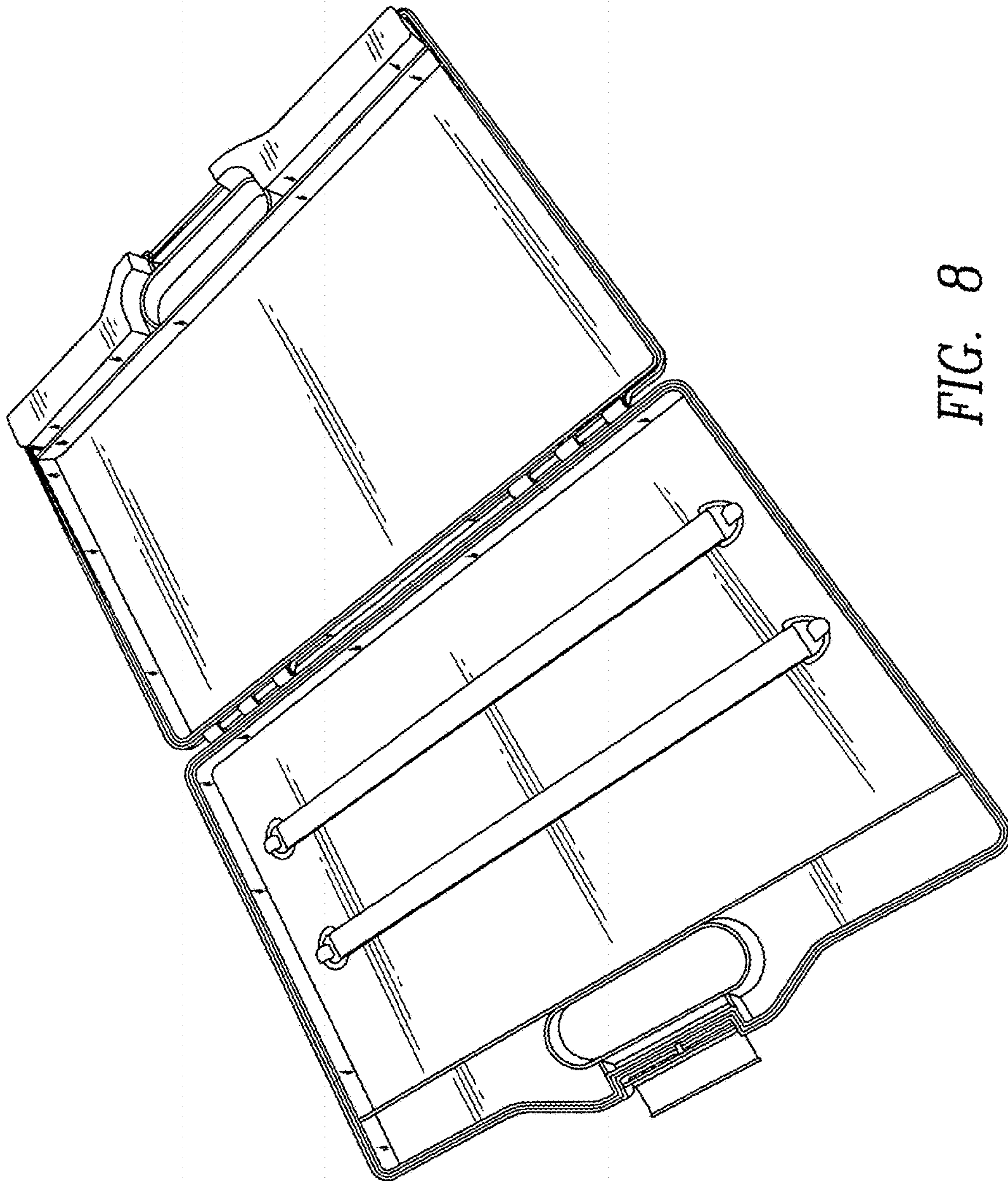


FIG. 8

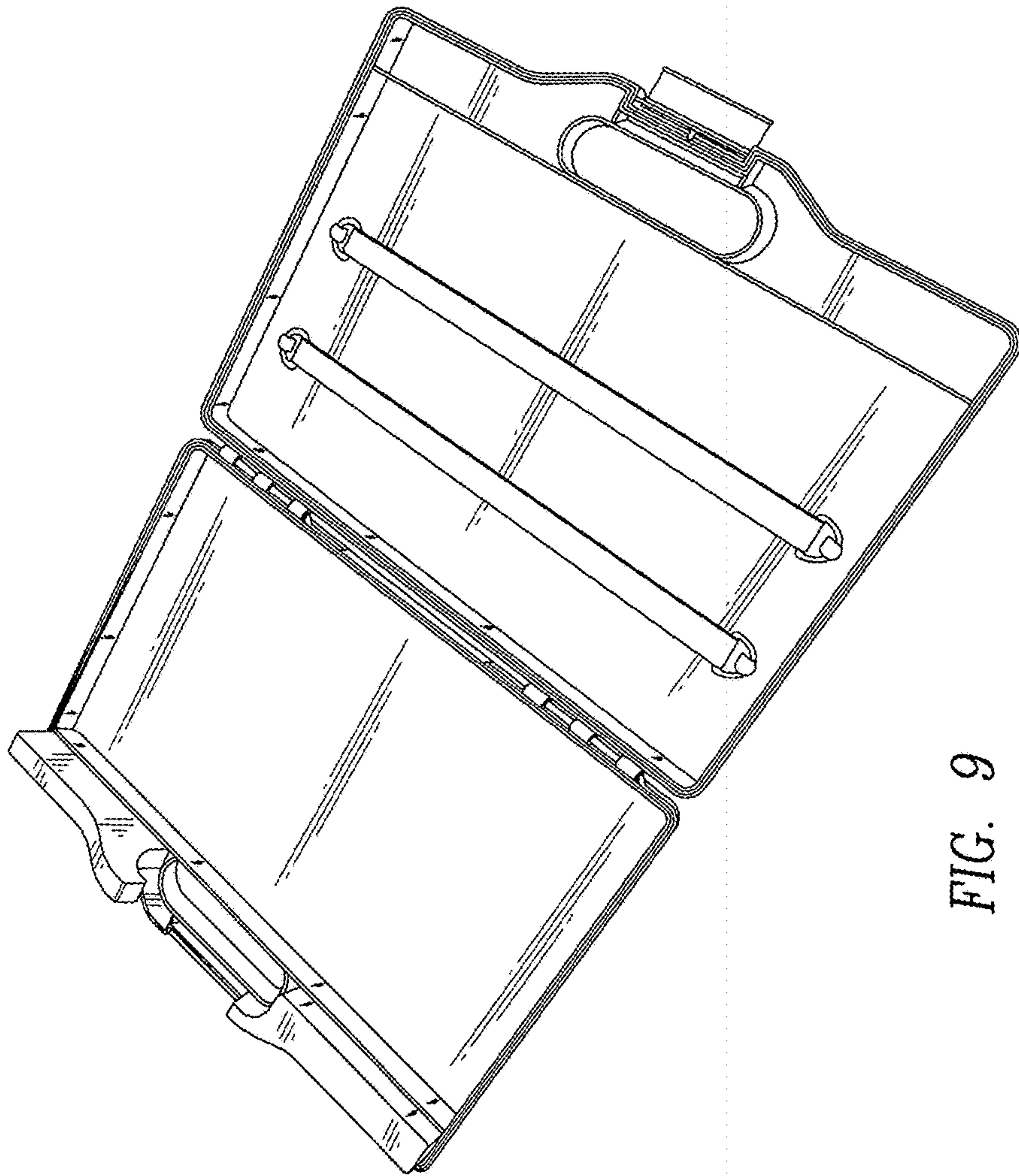


FIG. 9