



US00D803313S

(12) **United States Design Patent** (10) **Patent No.:** **US D803,313 S**
Cepress (45) **Date of Patent:** **** Nov. 21, 2017**

(54) **PAYMENT CARD**

(71) Applicant: **CAPITAL ONE FINANCIAL CORPORATION**, McLean, VA (US)

(72) Inventor: **Carl Cepress**, Mountain View, CA (US)

(73) Assignee: **CAPITAL ONE FINANCIAL CORPORATION**, McLean, VA (US)

(**) Term: **15 Years**

(21) Appl. No.: **29/584,795**

(22) Filed: **Nov. 17, 2016**

Related U.S. Application Data

(63) Continuation of application No. 29/527,734, filed on May 21, 2015.

(51) **LOC (10) Cl.** **19-08**

(52) **U.S. Cl.**
USPC **D19/10**

(58) **Field of Classification Search**
USPC D19/1-10, 20-34; 40/124.01-124.15, 40/661, 776, 726; 283/72, 75-76, 283/105-107, 82, 70, 904, 74; 206/449; D21/385; D20/10-11, 22, 27, 40, 42; 360/2; 235/380, 382
CPC B42D 15/00; B42D 15/022; B42D 15/027; B42D 15/045; B42D 15/047; B42D 25/00; B42D 25/20; B42D 25/23; B42D 25/26; B42D 25/29; B42D 25/30; B42D 25/40; B42D 25/22; B42D 2033/02; B42D 2033/04; B42D 2033/08; B42D 2033/10; B42D 2033/16; B42D 2033/18; B42D 2033/20; B42D 2033/28; B42D 2033/30

See application file for complete search history.

(56) **References Cited**

U.S. PATENT DOCUMENTS

D480,754 S *	10/2003	Berger	D19/1
D559,905 S *	1/2008	Halbur	D19/9
D568,388 S *	5/2008	Hammad	D14/436
D569,425 S *	5/2008	Law	D14/436
D571,856 S *	6/2008	Hammad	D14/436
D575,332 S *	8/2008	Parker	D19/9
D599,849 S *	9/2009	Halbur	D19/10
D624,962 S *	10/2010	Lazarowicz	B42D 9/007 D19/9
D634,780 S *	3/2011	Schumann	D19/9
D690,767 S *	10/2013	Lindley	D19/9
D724,660 S *	3/2015	Sippola	D19/10
D779,591 S *	2/2017	Cepress	D19/10

* cited by examiner

Primary Examiner — Abraham Bahta

(74) *Attorney, Agent, or Firm* — Finnegan, Henderson, Farabow, Garrett & Dunner LLP

(57) **CLAIM**

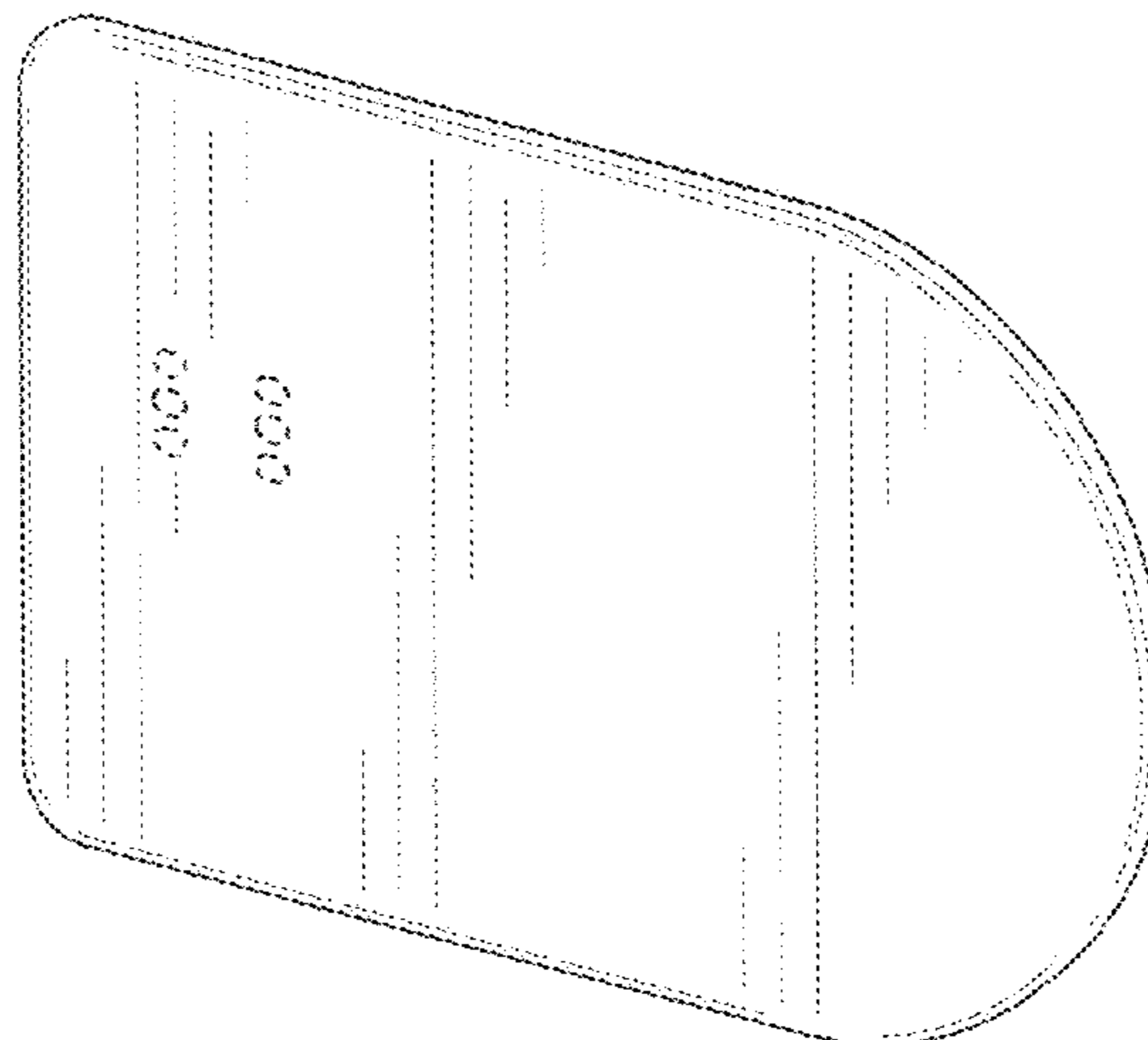
The ornamental design for a payment card, as shown and described.

DESCRIPTION

FIG. 1 is a front right perspective view of a payment card showing my new design;
FIG. 2 is a rear left perspective view thereof;
FIG. 3 is a front elevation view thereof;
FIG. 4 is a rear elevation view thereof;
FIG. 5 is a top plan view thereof, the bottom view being a mirror image thereof;
FIG. 6 is a right side view thereof;
FIG. 7 is a left side view thereof; and,
FIG. 8 is an enlarged, detailed view of the top view, as shown in FIG. 5.

The broken line showing of portions of the payment card is included for the purpose of illustrating environmental structure and forms no part of the claimed design.

1 Claim, 7 Drawing Sheets



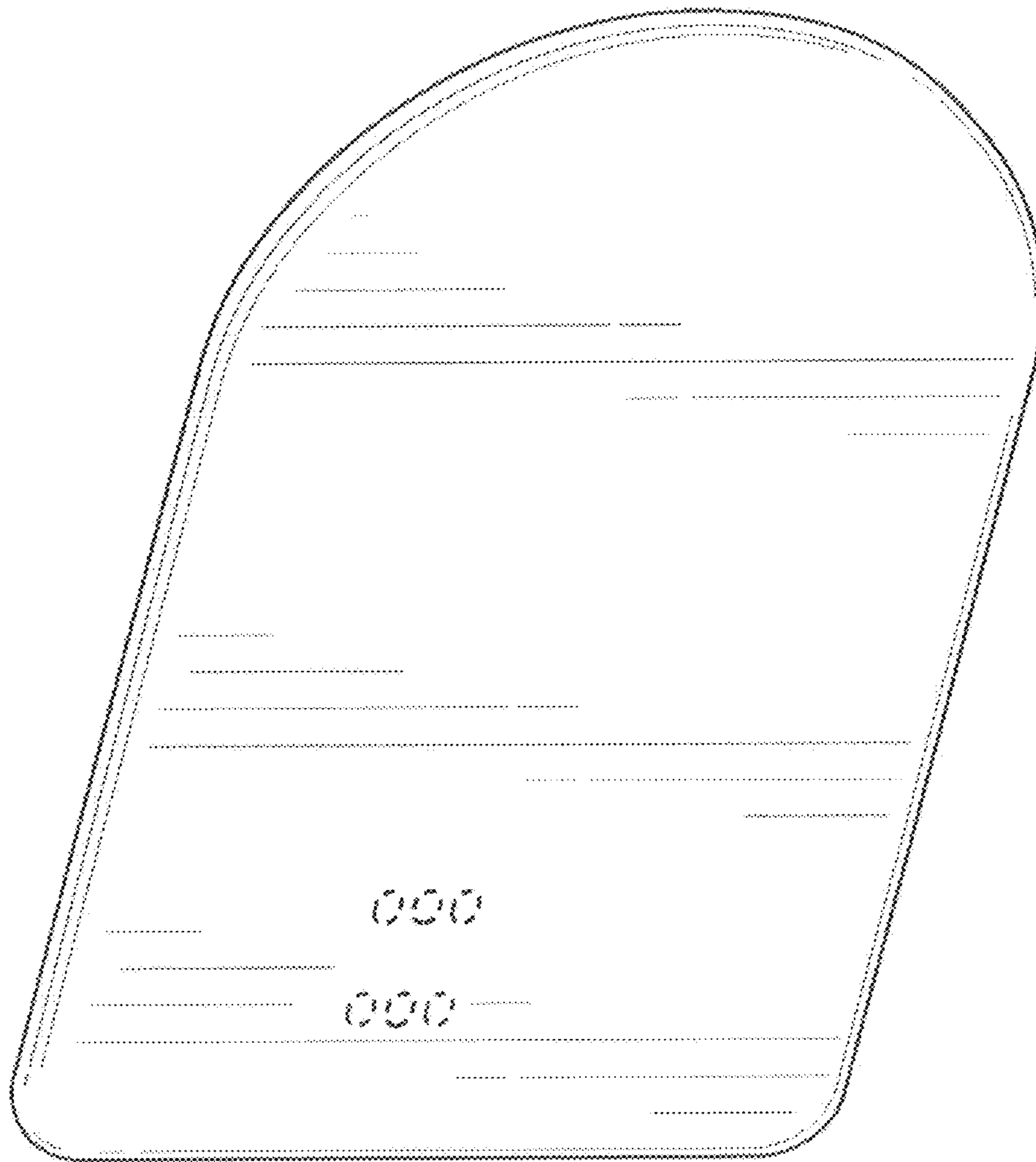


FIG. 1

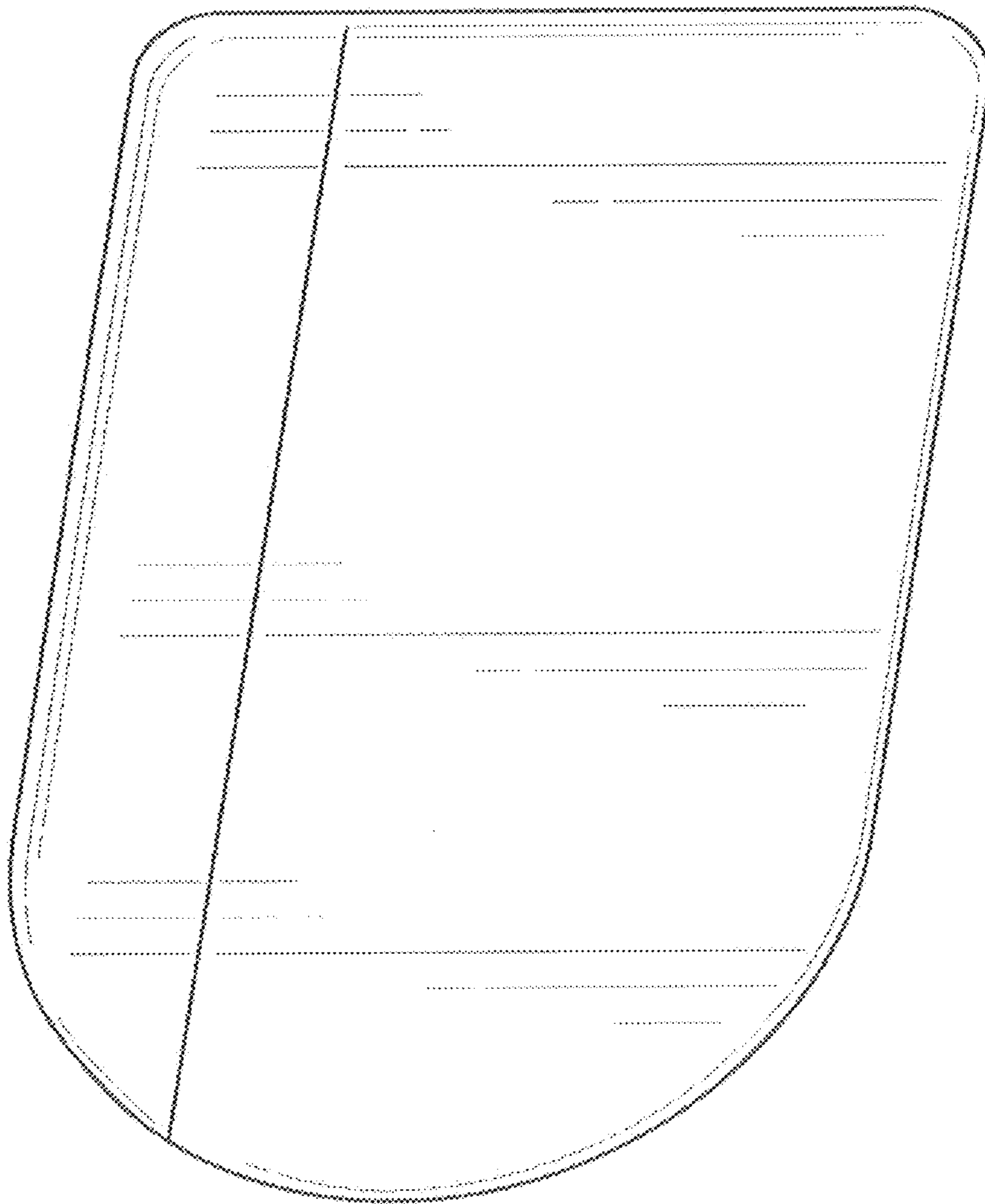


FIG. 2

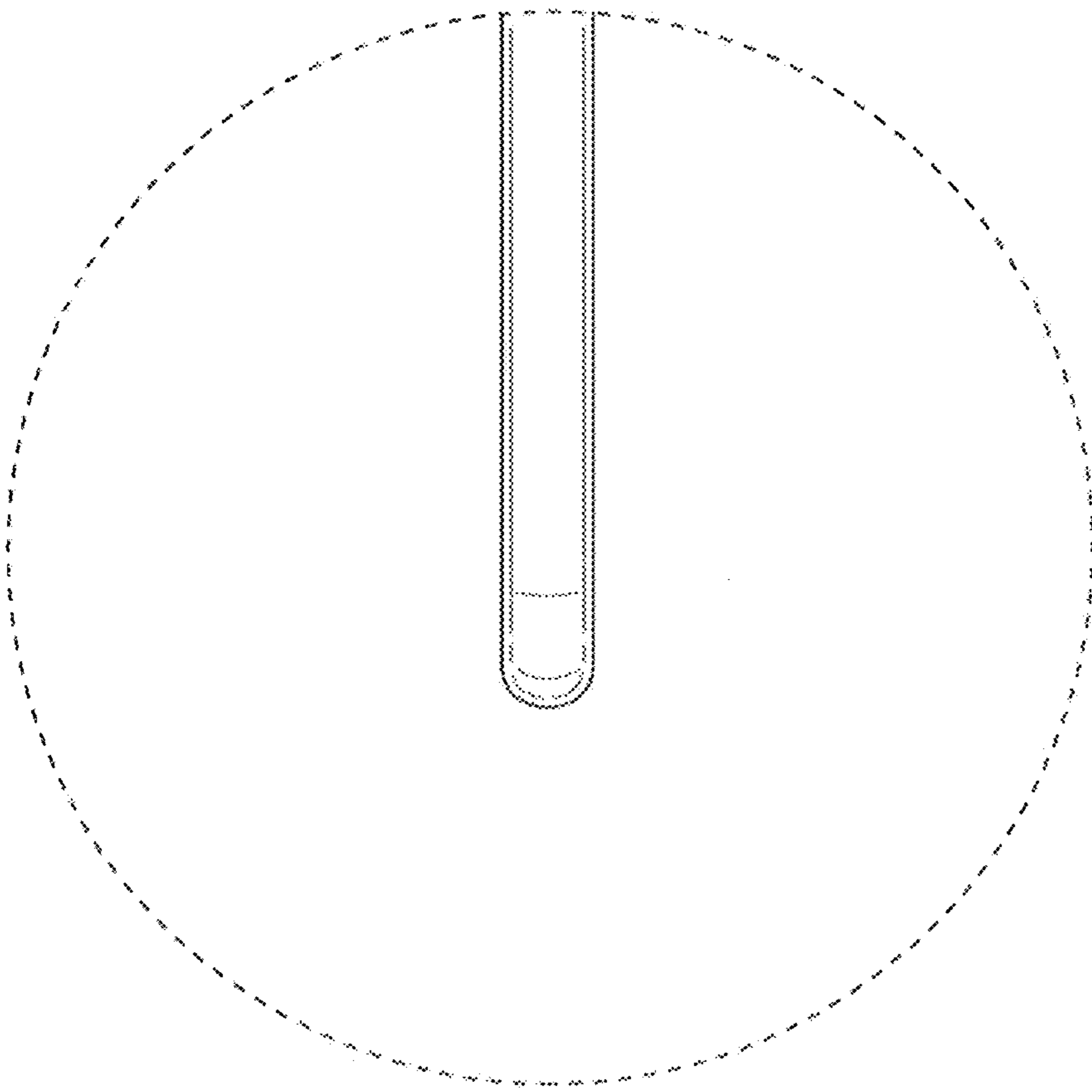


FIG. 3

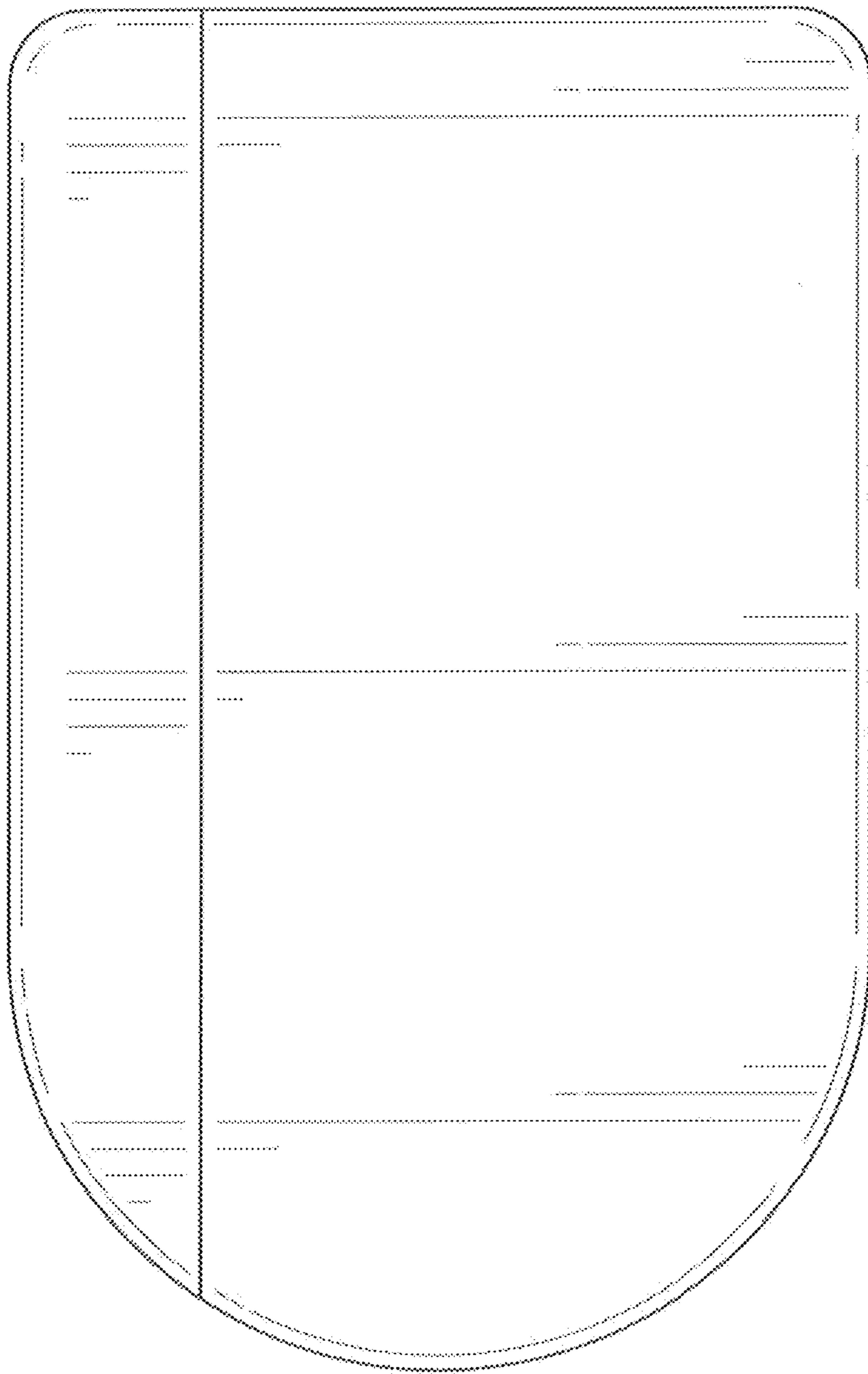


FIG. 4

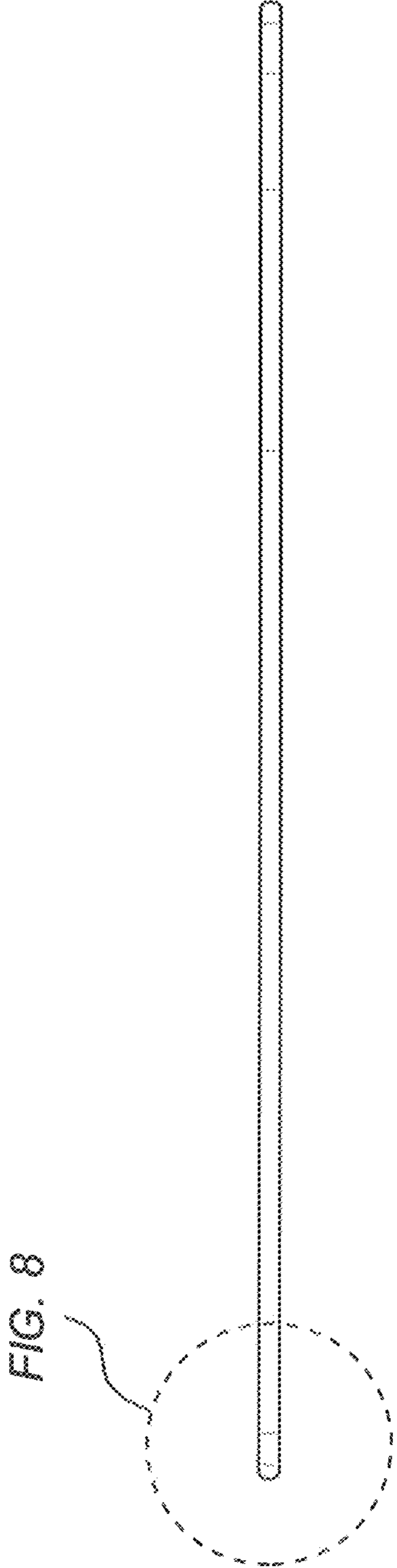


FIG. 5

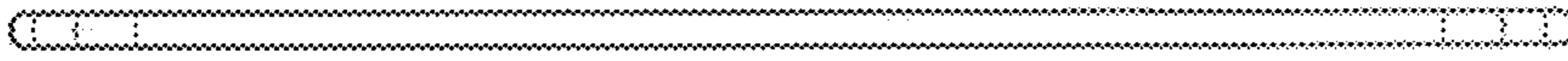


FIG. 7

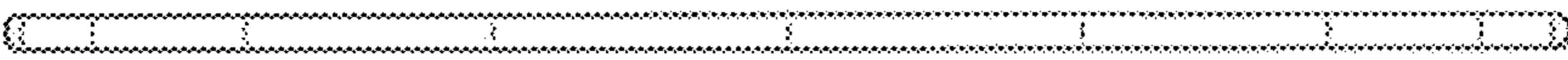


FIG. 6

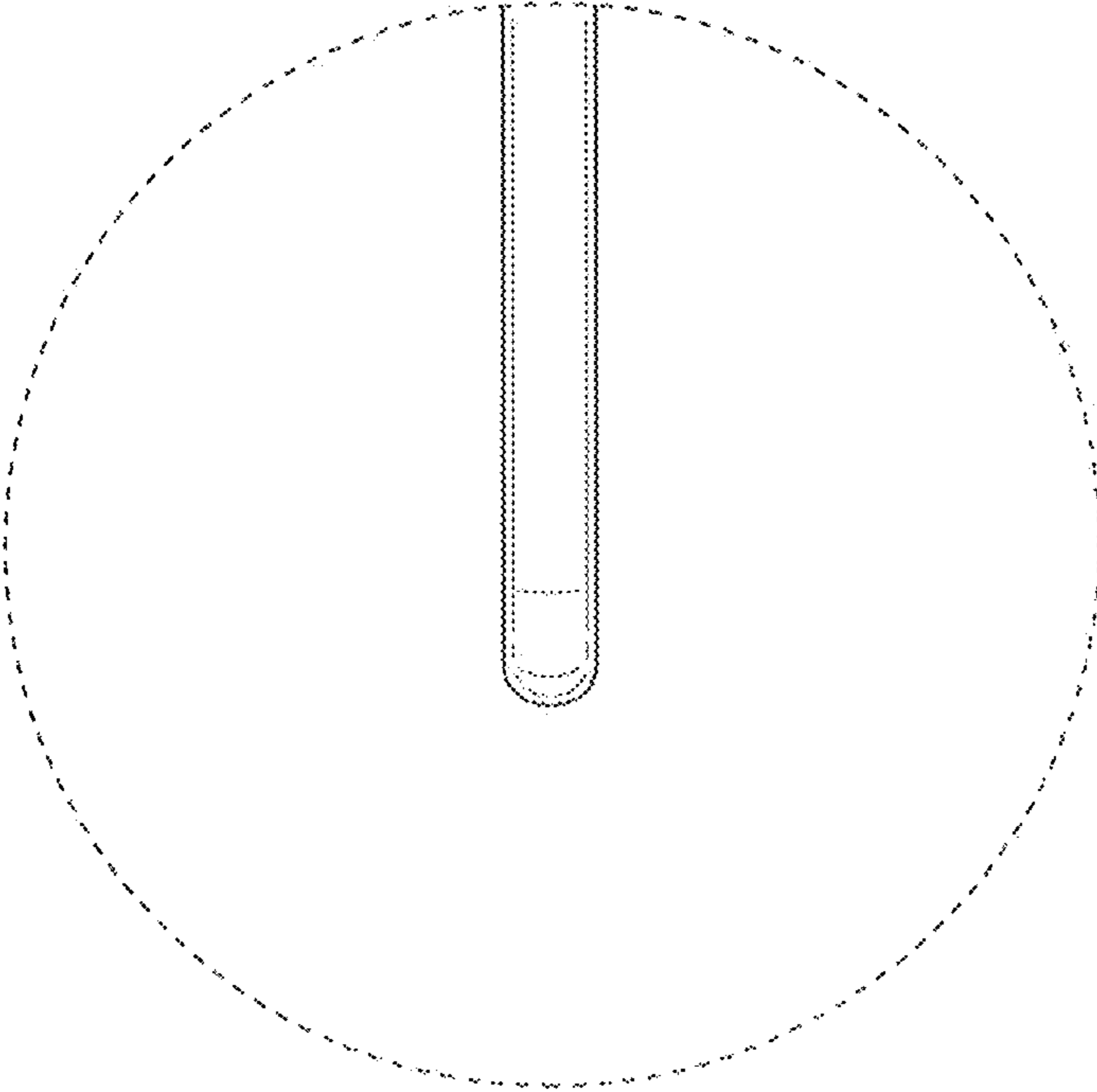


FIG. 8