



US00D803311S

(12) **United States Design Patent** (10) **Patent No.:** **US D803,311 S**
Mita (45) **Date of Patent:** **** Nov. 21, 2017**

(54) **TONER CARTRIDGE**
(71) Applicant: **BROTHER INDUSTRIES, LTD.**,
Nagoya-shi, Aichi-ken (JP)
(72) Inventor: **Masayoshi Mita**, Nagoya (JP)
(73) Assignee: **BROTHER INDUSTRIES, LTD.**,
Nagoya (JP)

(**) Term: **15 Years**
(21) Appl. No.: **29/588,297**

(22) Filed: **Dec. 20, 2016**

(30) **Foreign Application Priority Data**

Jul. 7, 2016 (JP) 2016-14462
(51) **LOC (10) Cl.** **16-03**
(52) **U.S. Cl.**
USPC **D18/43**

(58) **Field of Classification Search**
USPC D14/471, 483, 484; D18/12, 18, 36, 40,
D18/43, 44, 56, 58, 99
CPC . B41J 2/17; B41J 2/1721; B41J 2/1572; B41J
2/1754; B41J 2/17503; B41J 2/17553;
B41J 2/17556; B41J 2/16547
See application file for complete search history.

(56) **References Cited**

U.S. PATENT DOCUMENTS

D531,661 S * 11/2006 Ishii D18/43
D596,663 S * 7/2009 Kamimura D18/43

D637,225 S 5/2011 Kishi et al.
D694,816 S * 12/2013 Fukamachi D18/43
D718,380 S * 11/2014 Mori D18/43
D727,412 S * 4/2015 Oda D18/43
2007/0217817 A1* 9/2007 Shiraki G03G 21/1821
399/111
2008/0031656 A1* 2/2008 Okabe G03G 21/1871
399/241

* cited by examiner

Primary Examiner — Garth Rademaker
Assistant Examiner — Richard Kearney

(74) *Attorney, Agent, or Firm* — Oliff PLC

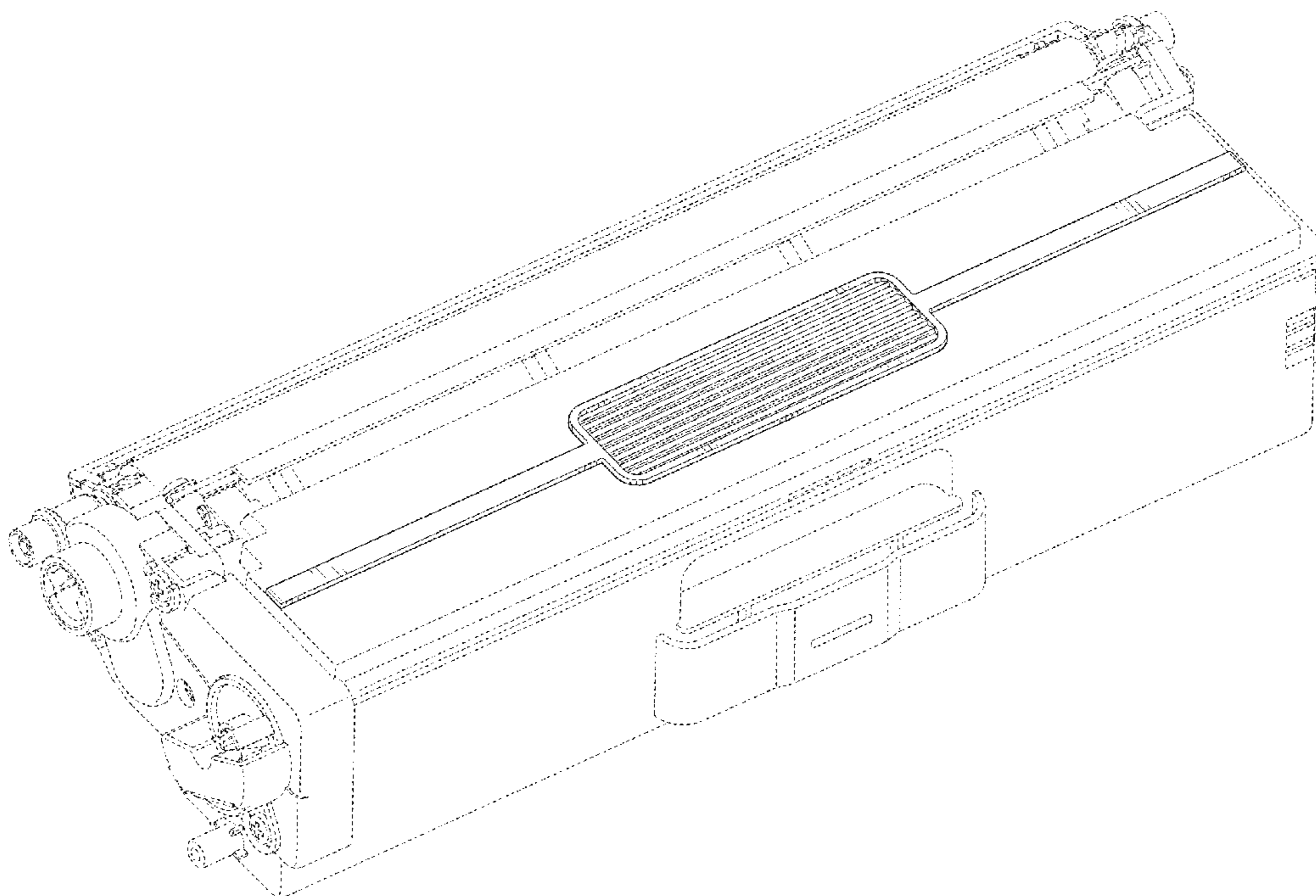
(57) **CLAIM**

The ornamental design for a toner cartridge, as shown and described.

DESCRIPTION

FIG. 1 is a front, top, left-side perspective view of a toner cartridge;
FIG. 2 is a rear, bottom, right-side perspective view thereof;
FIG. 3 is a front view thereof;
FIG. 4 is a top view thereof;
FIG. 5 is a right-side view thereof;
FIG. 6 is a left-side view thereof;
FIG. 7 is a rear view thereof; and,
FIG. 8 is a bottom view thereof.
The broken lines depict unclaimed portions of the toner cartridge and form no part of the claimed design.

1 Claim, 7 Drawing Sheets



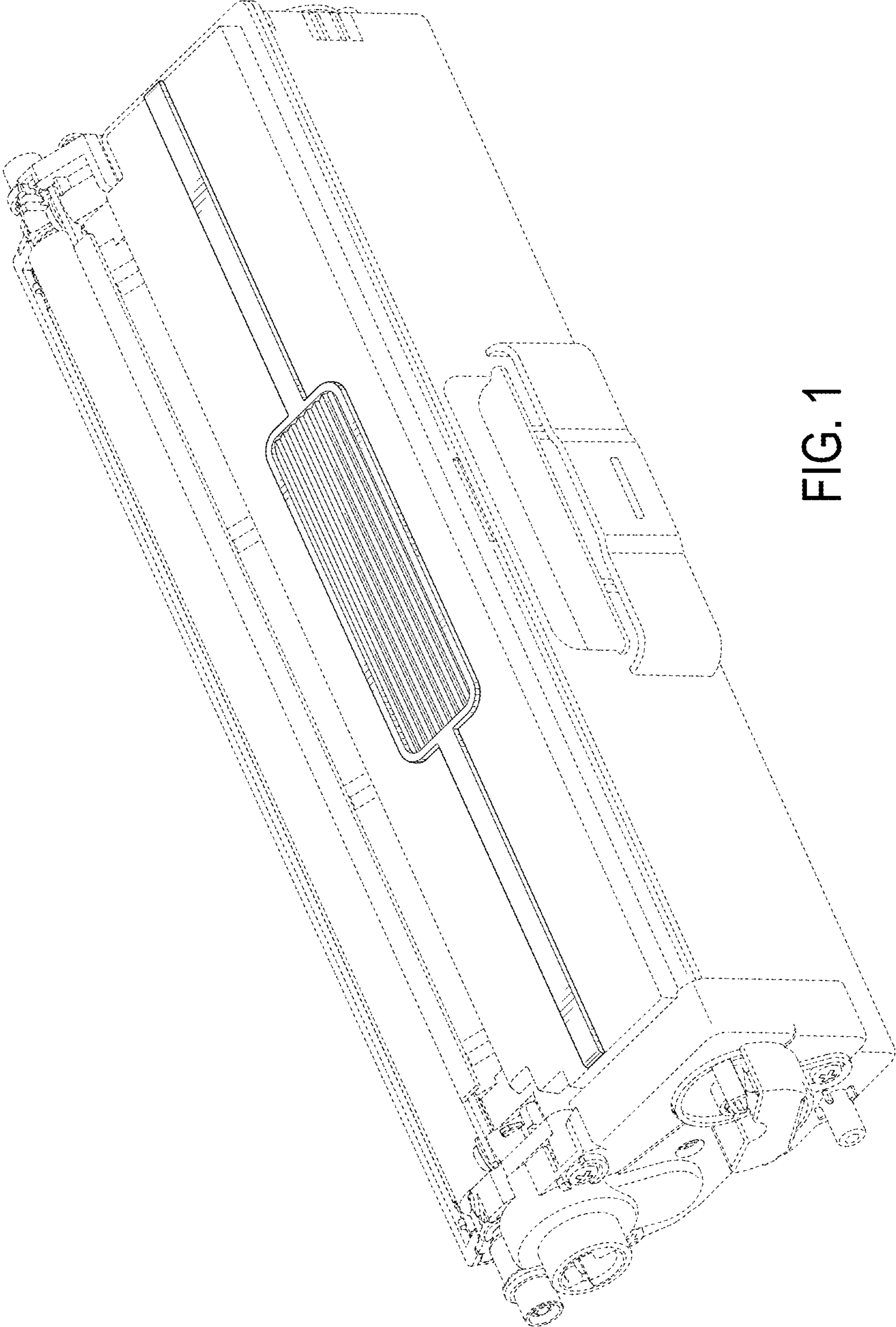


FIG. 1

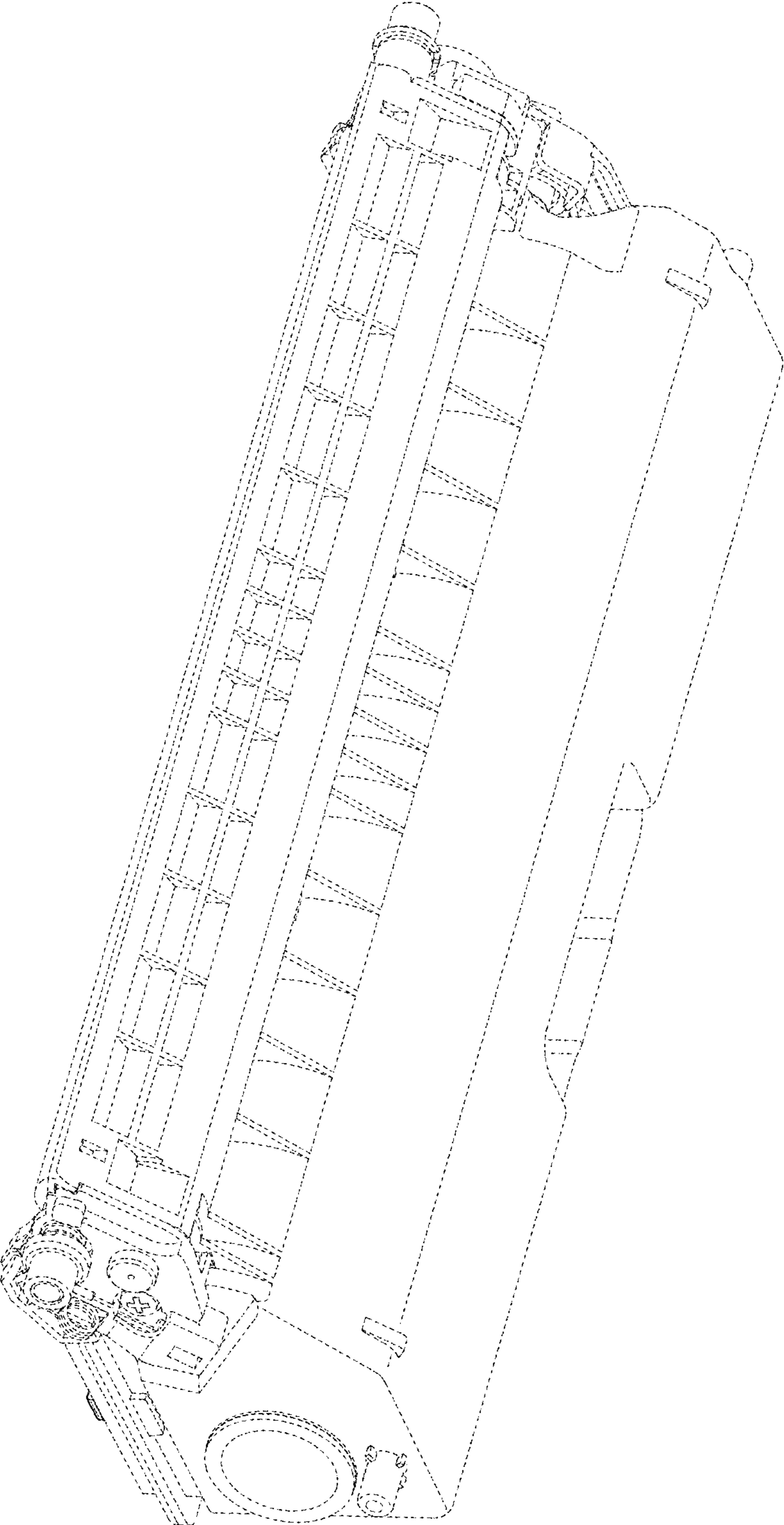


FIG. 2

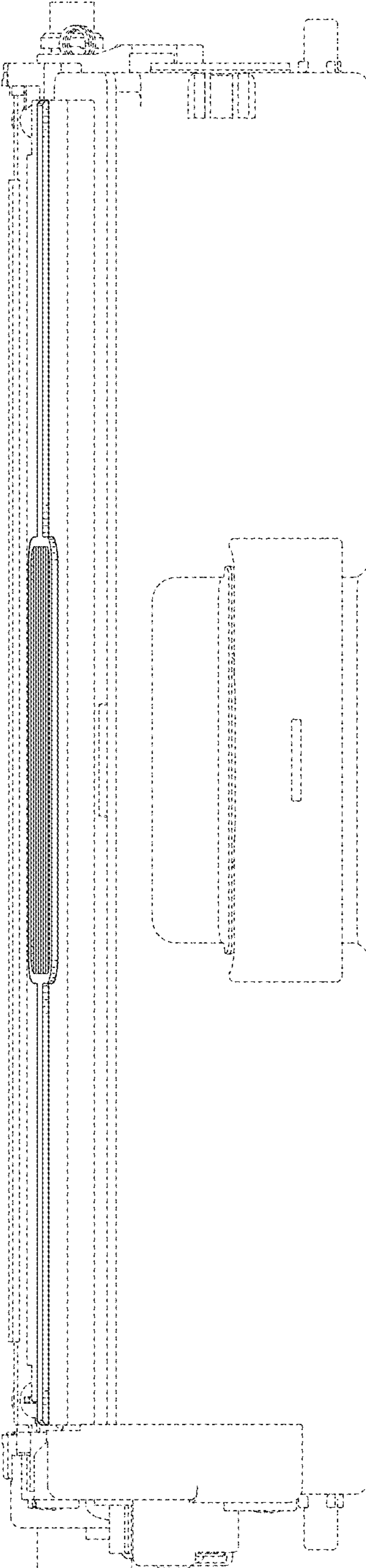


FIG. 3

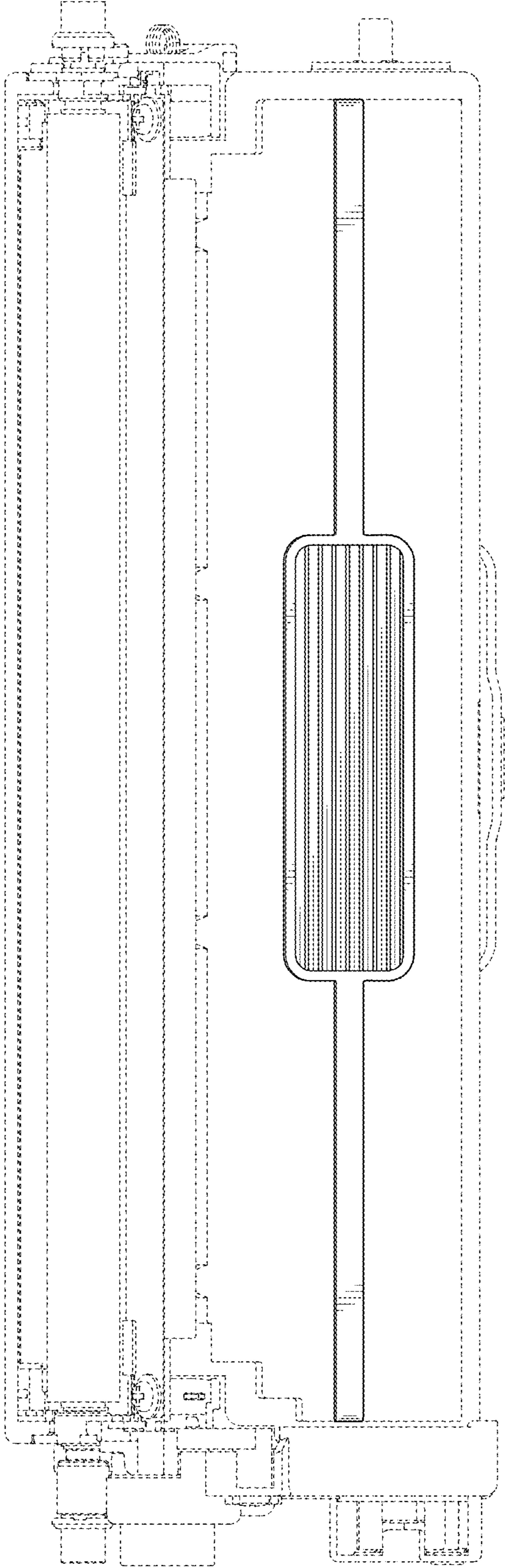


FIG. 4

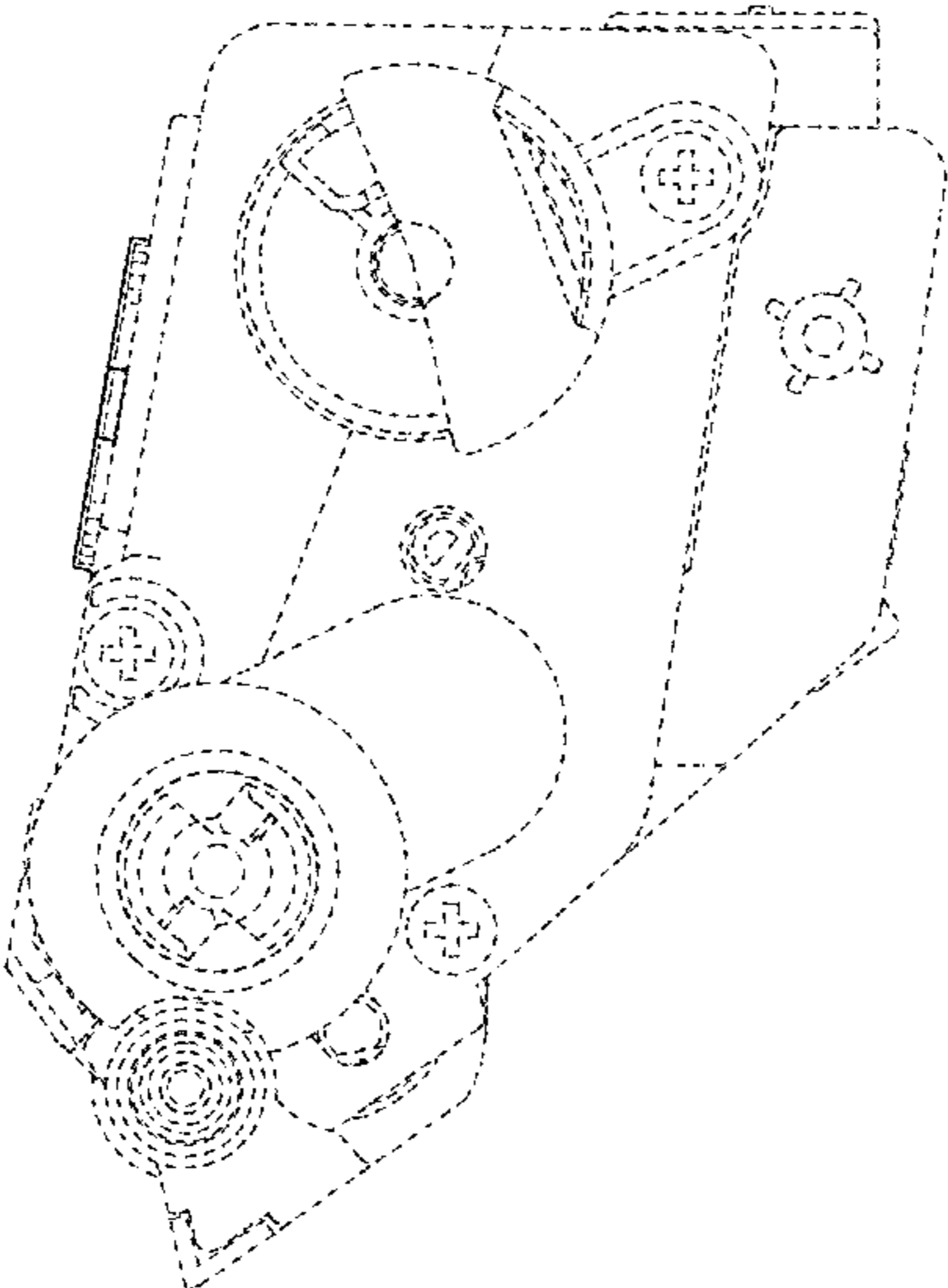


FIG. 5

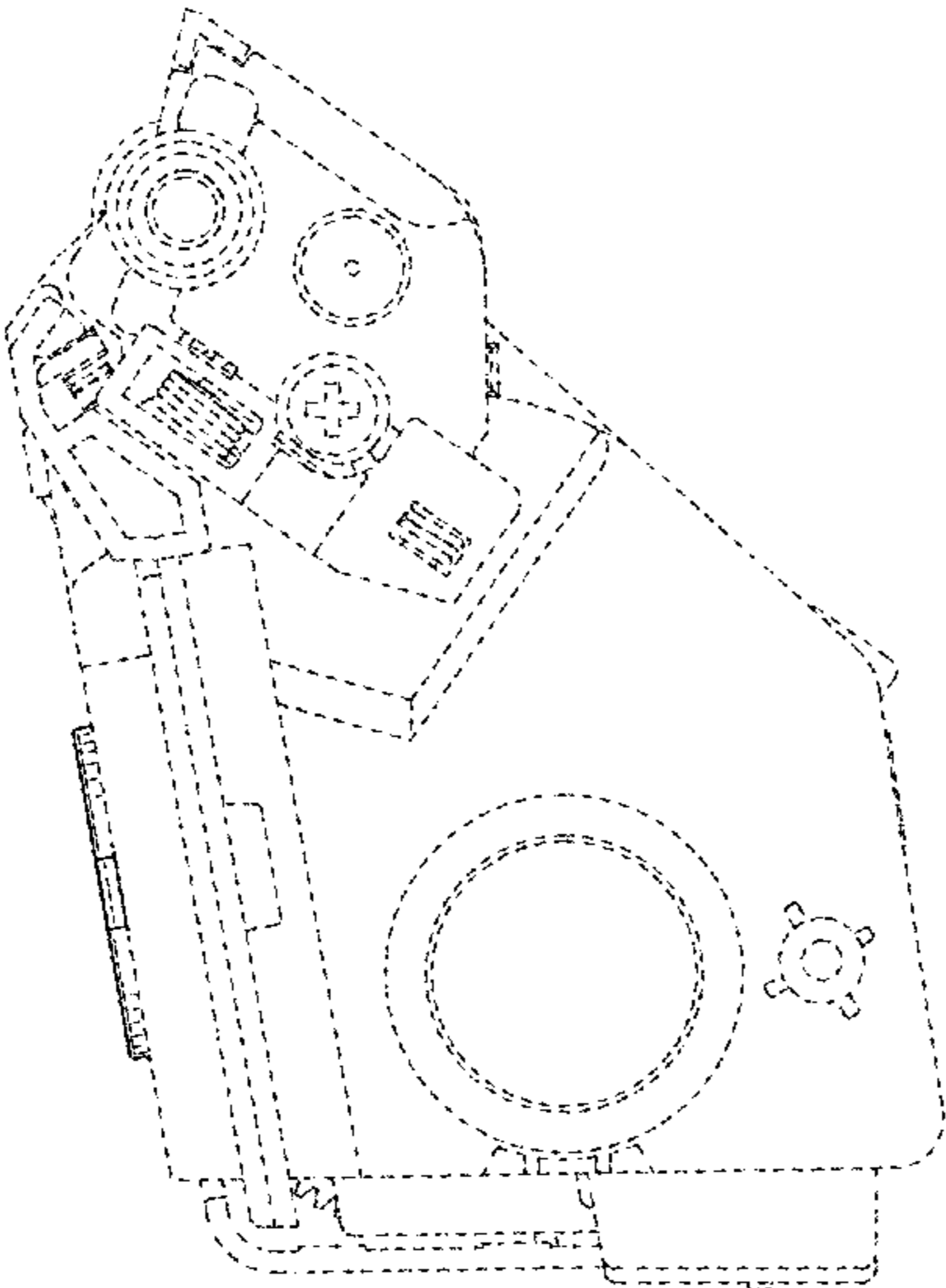


FIG. 6

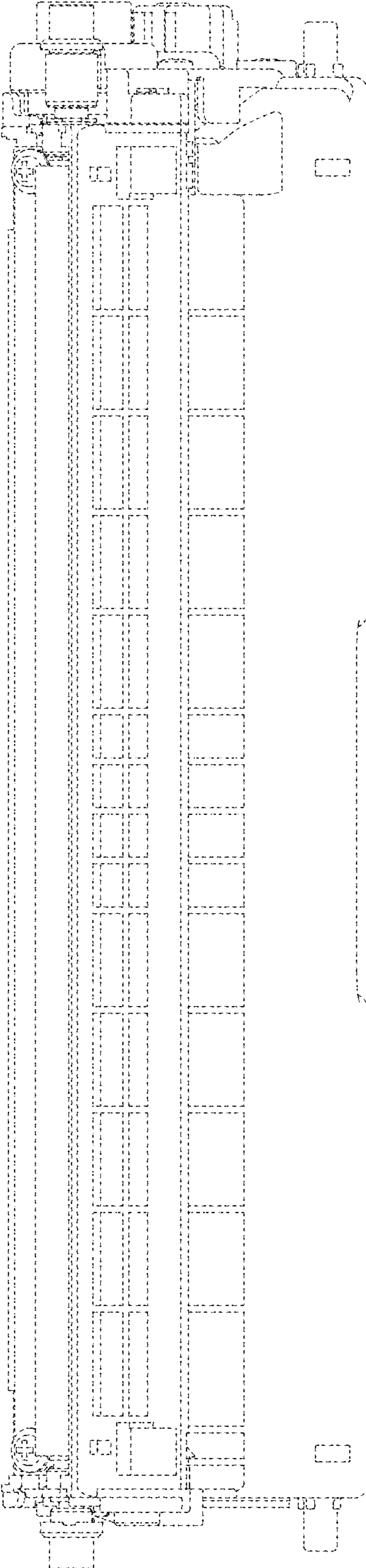


FIG. 7

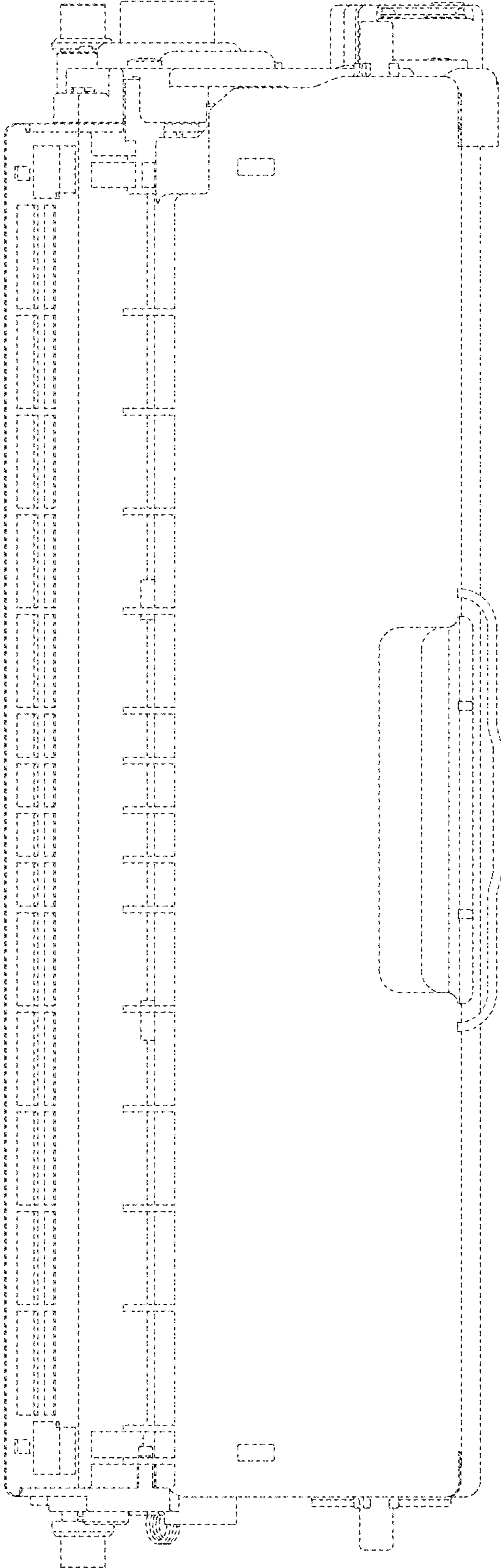


FIG. 8