

US00D803309S

(12) **United States Design Patent** (10) **Patent No.:** **US D803,309 S**  
**Takahashi et al.** (45) **Date of Patent:** **\*\* Nov. 21, 2017**

(54) **ELECTRONIC COPYING MACHINE**  
(71) Applicant: **TOSHIBA TEC KABUSHIKI KAISHA**, Shinagawa-ku, Tokyo (JP)  
(72) Inventors: **Keiichiro Takahashi**, Kawasaki Kanagawa (JP); **Hisaya Ishio**, Kawaguchi Saitama (JP)  
(73) Assignee: **TOSHIBA TEC KABUSHIKI KAISHA**, Tokyo (JP)  
(\*\*) Term: **15 Years**  
(21) Appl. No.: **29/529,967**  
(22) Filed: **Jun. 11, 2015**

(30) **Foreign Application Priority Data**  
Apr. 11, 2015 (JP) ..... 2015-008263  
(51) **LOC (10) Cl.** ..... **16-03**  
(52) **U.S. Cl.**  
USPC ..... **D18/39**  
(58) **Field of Classification Search**  
USPC ..... D18/36, 38, 39, 41, 43, 44, 50, 53, 55;  
D16/246; D21/518; 358/1.1; 355/77,  
355/88, 99; 399/1-7, 16, 75, 81, 107,  
399/130, 151, 361, 365, 367, 381-83, 388  
CPC .... G03G 15/00; G03G 15/0142; G06K 15/12;  
G06K 15/14; B41J 11/00; B41J 3/00;  
B41J 3/28; H04N 1/00129; H04N  
1/00135; H04N 1/00204; H04N 1/00278  
See application file for complete search history.

(56) **References Cited**  
U.S. PATENT DOCUMENTS  
D390,256 S \* 2/1998 Shibata ..... D18/39  
D447,765 S \* 9/2001 Hatanaka ..... D18/39  
D502,210 S \* 2/2005 Katori ..... D14/463

D549,770 S \* 8/2007 Clark, III ..... D18/39  
D577,763 S \* 9/2008 Hidaka ..... D18/39  
D619,641 S \* 7/2010 Brown ..... D18/41  
D626,587 S \* 11/2010 Ishio ..... D18/39  
D626,588 S \* 11/2010 Kim ..... D18/39  
D650,834 S \* 12/2011 Brown ..... D18/39  
D664,190 S \* 7/2012 Matsuda ..... D18/39  
D665,012 S \* 8/2012 Saito ..... D18/39  
D685,414 S \* 7/2013 Jeong ..... D18/53  
D701,563 S \* 3/2014 Kim ..... D18/39  
D726,249 S \* 4/2015 Kim ..... D18/53  
D727,413 S \* 4/2015 Katsuyama ..... D18/53  
D727,415 S \* 4/2015 Takeda ..... D18/53  
D741,945 S \* 10/2015 Kawata ..... D18/39  
D745,087 S \* 12/2015 Nagano ..... D18/36  
D745,600 S \* 12/2015 Nagano ..... D18/36  
D745,601 S \* 12/2015 Nagano ..... D18/36  
D755,284 S \* 5/2016 Terenzio ..... D18/50

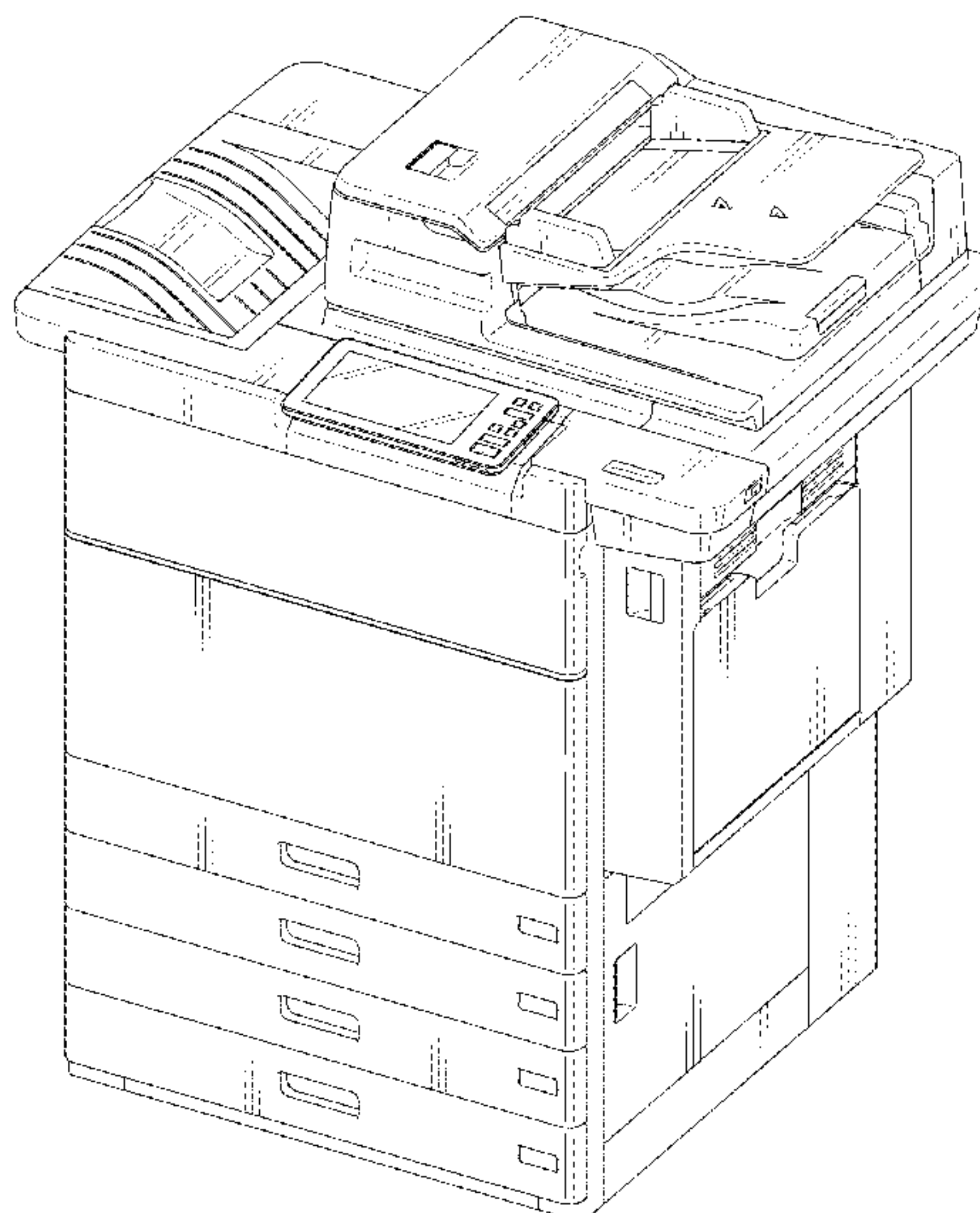
(Continued)

*Primary Examiner* — Wan Laymon  
*Assistant Examiner* — Clint A Samuel  
(74) *Attorney, Agent, or Firm* — Venable LLP; Jeffri A. Kaminski

(57) **CLAIM**  
The ornamental design for an electronic copying machine, as shown and described.

**DESCRIPTION**  
FIG. 1 is a perspective view of a electronic copying machine showing our new design;  
FIG. 2 is a front view thereof;  
FIG. 3 is a rear view thereof;  
FIG. 4 is a top view thereof;  
FIG. 5 is a bottom view thereof;  
FIG. 6 is a right side view thereof; and,  
FIG. 7 is a left side view thereof.  
The broken line showing in the drawings is included for the purpose of illustrating portions of the electronic copying machine and forms no part of the claimed design.

**1 Claim, 7 Drawing Sheets**



(56)

**References Cited**

U.S. PATENT DOCUMENTS

D763,958 S \* 8/2016 Kim ..... D18/53  
2005/0175371 A1\* 8/2005 Kunugi ..... G03G 15/5016  
399/107  
2016/0191730 A1\* 6/2016 Ohata ..... H04N 1/00307  
358/1.15

\* cited by examiner

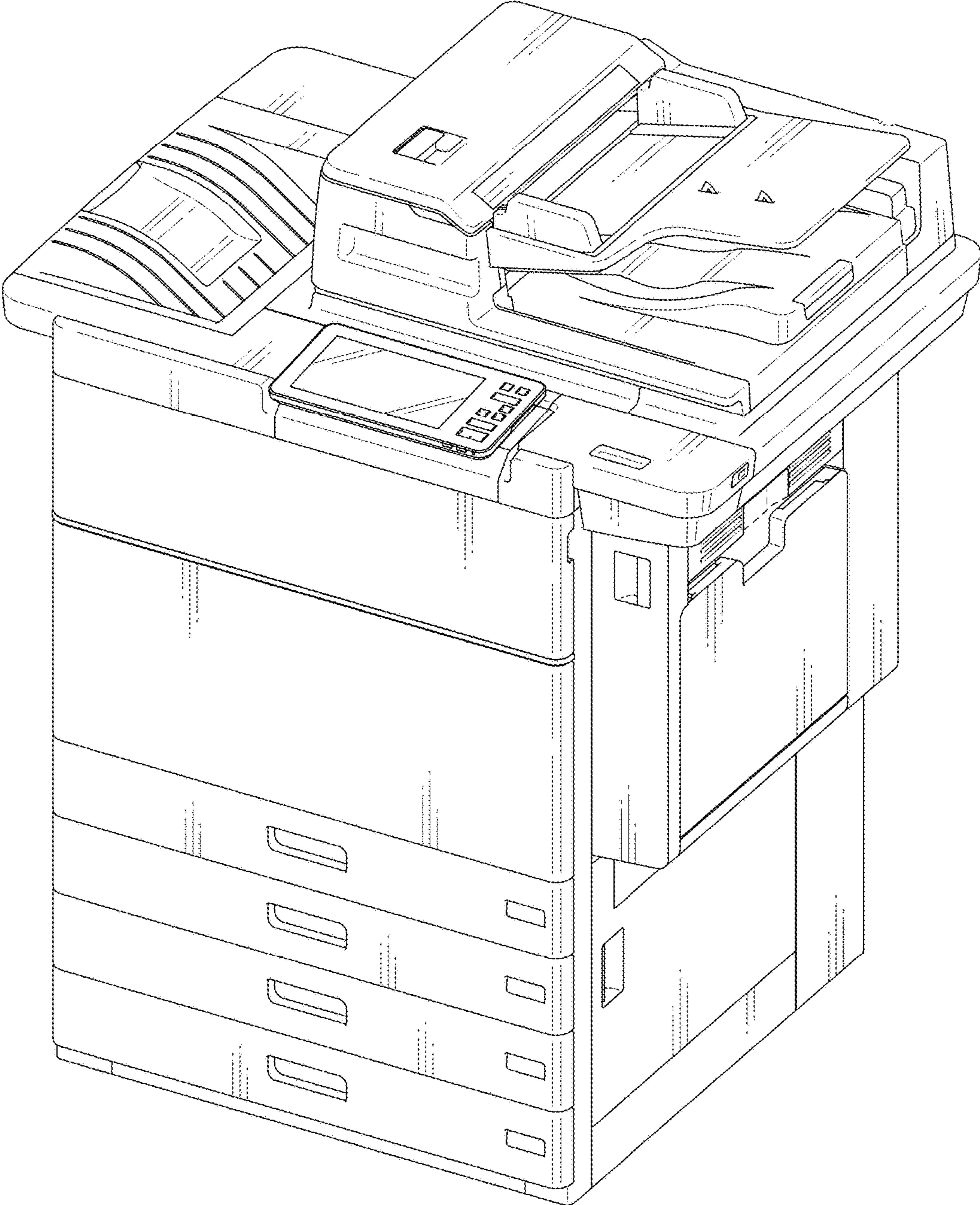


Fig. 1

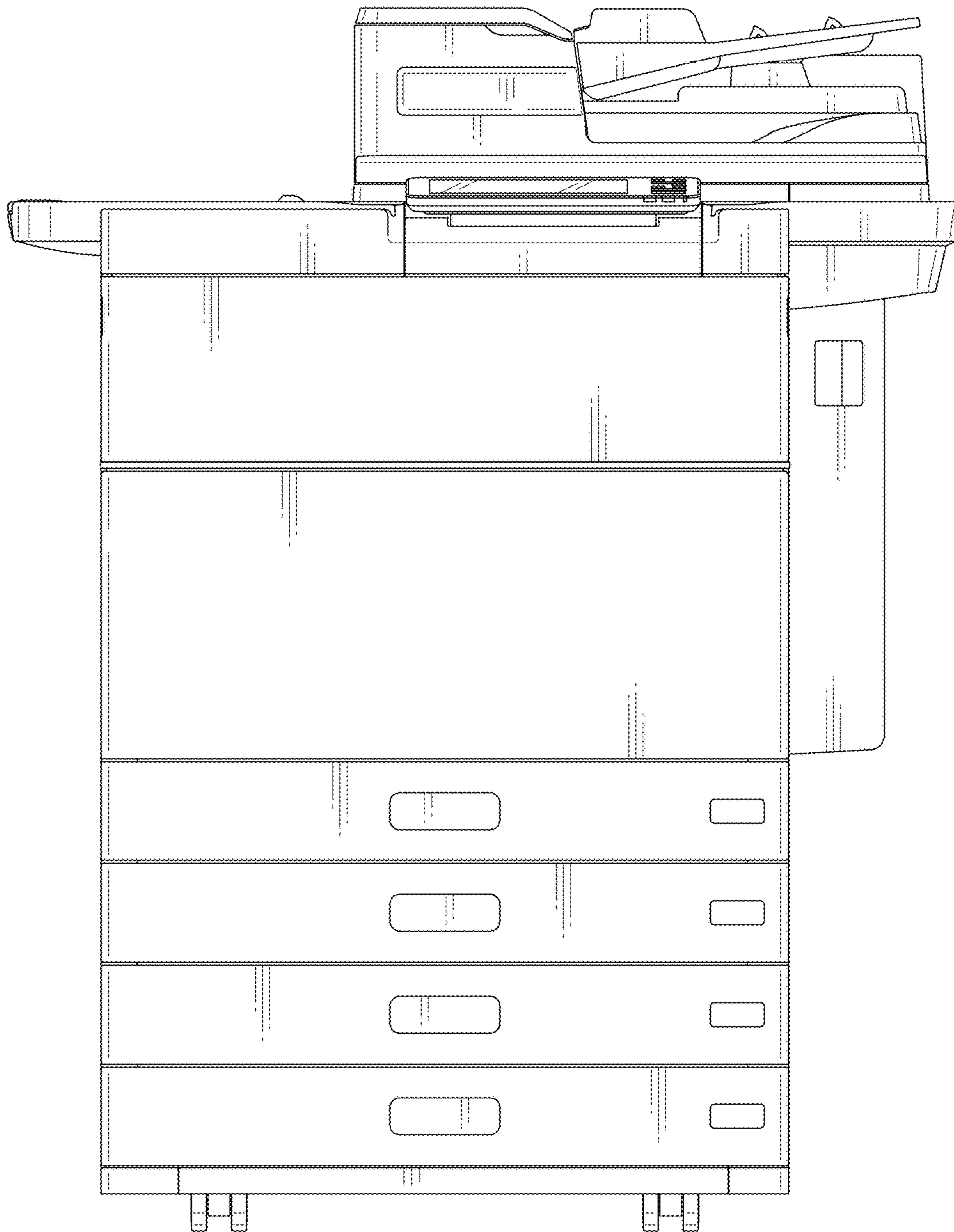


Fig. 2



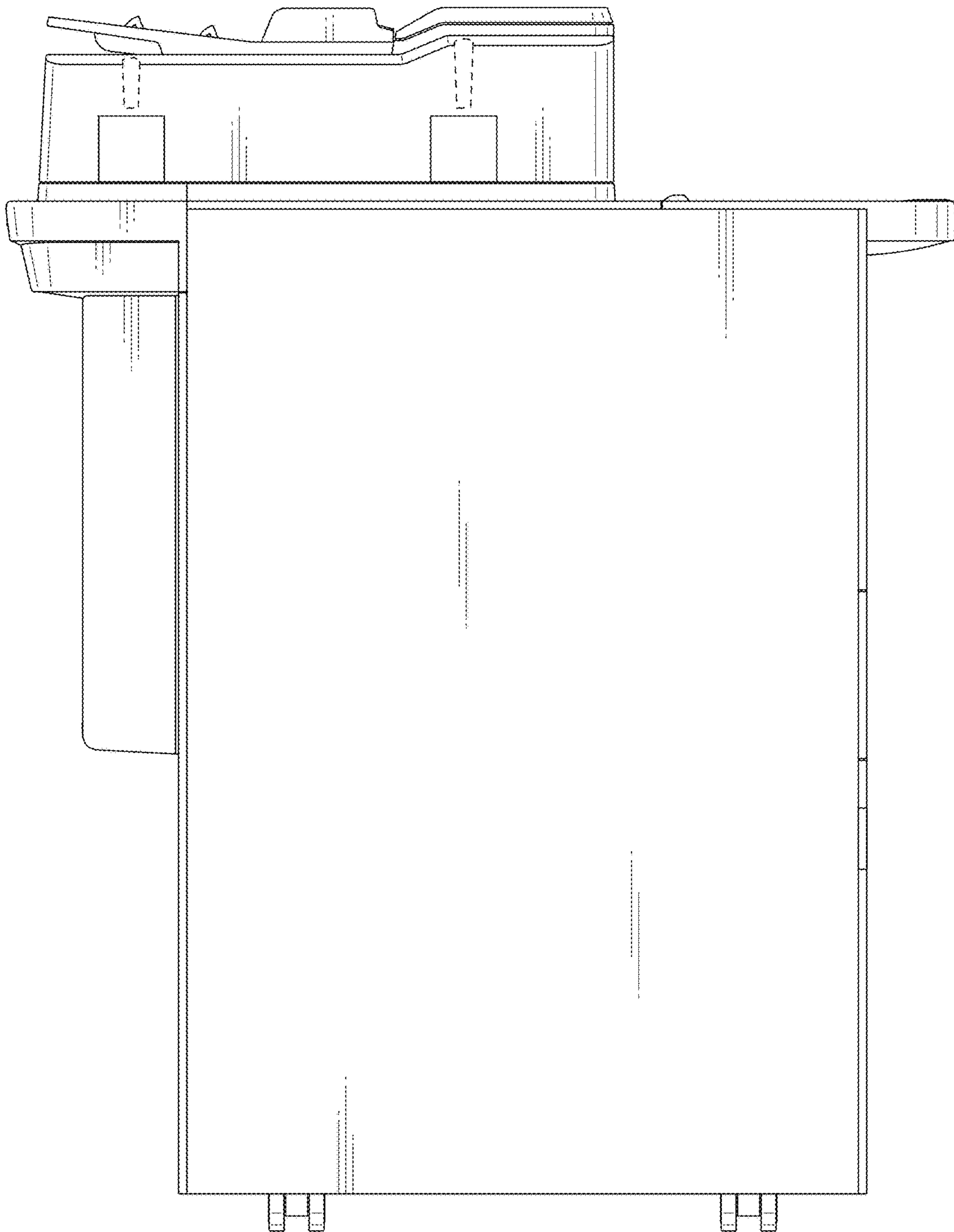


Fig. 3

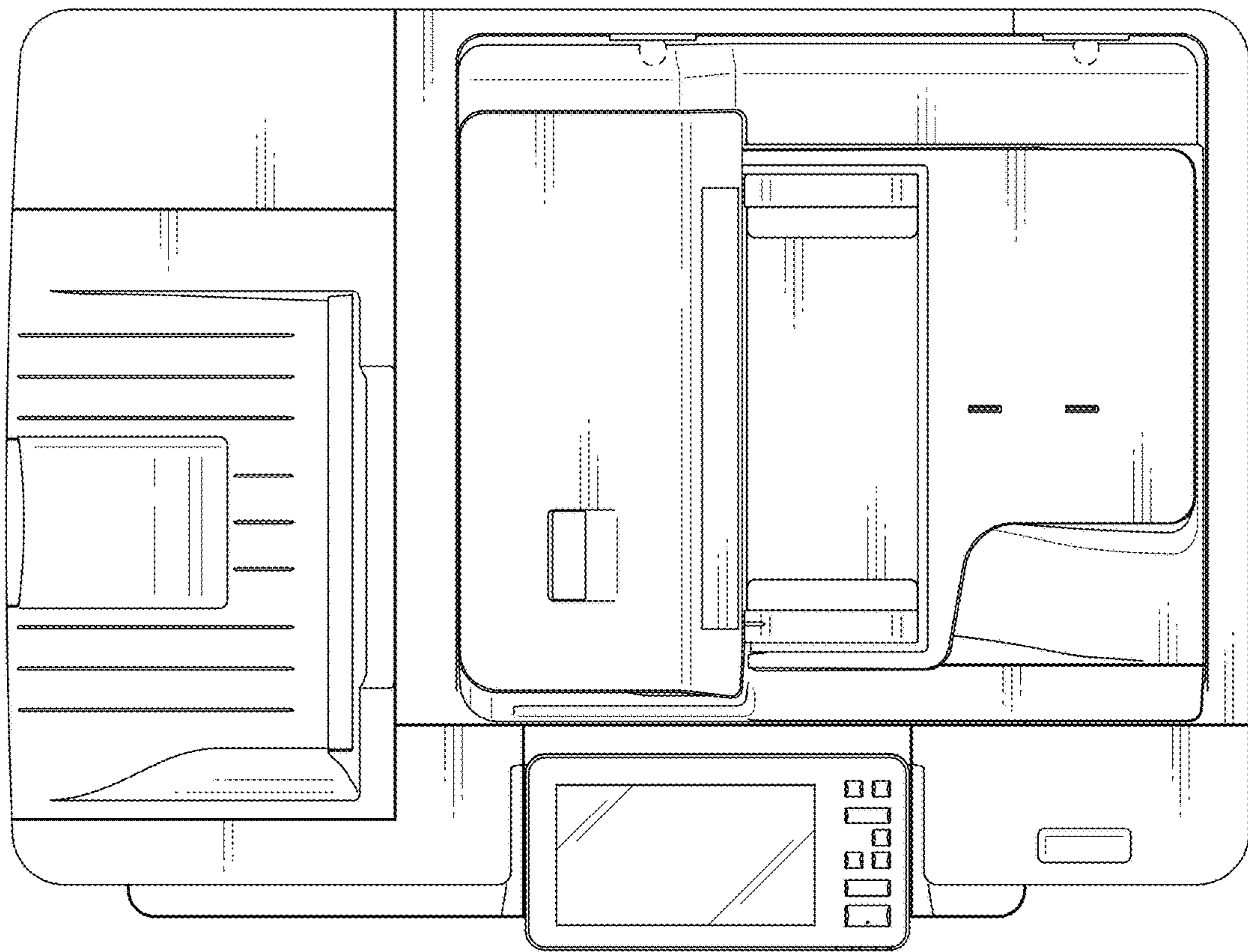


Fig. 4

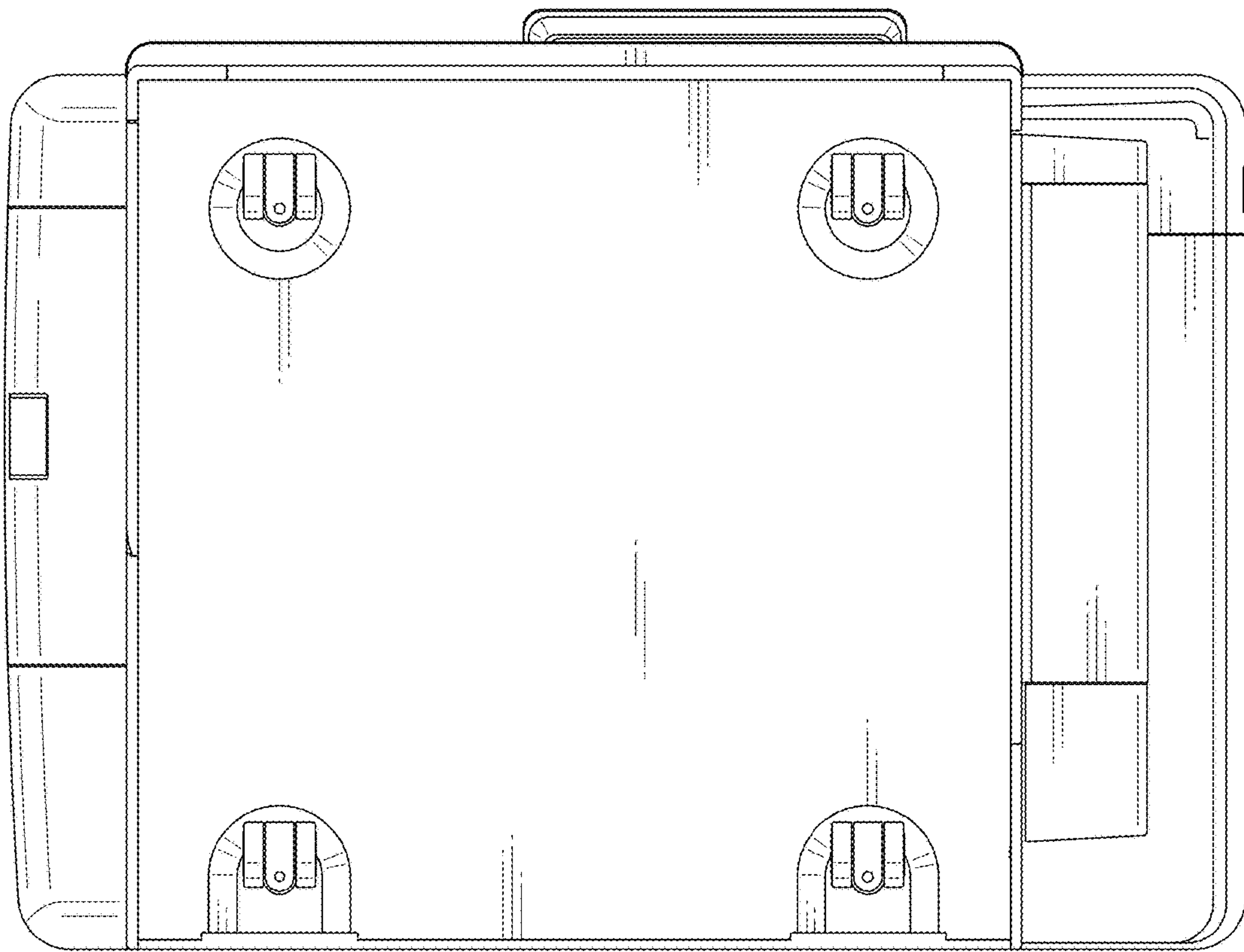


Fig. 5

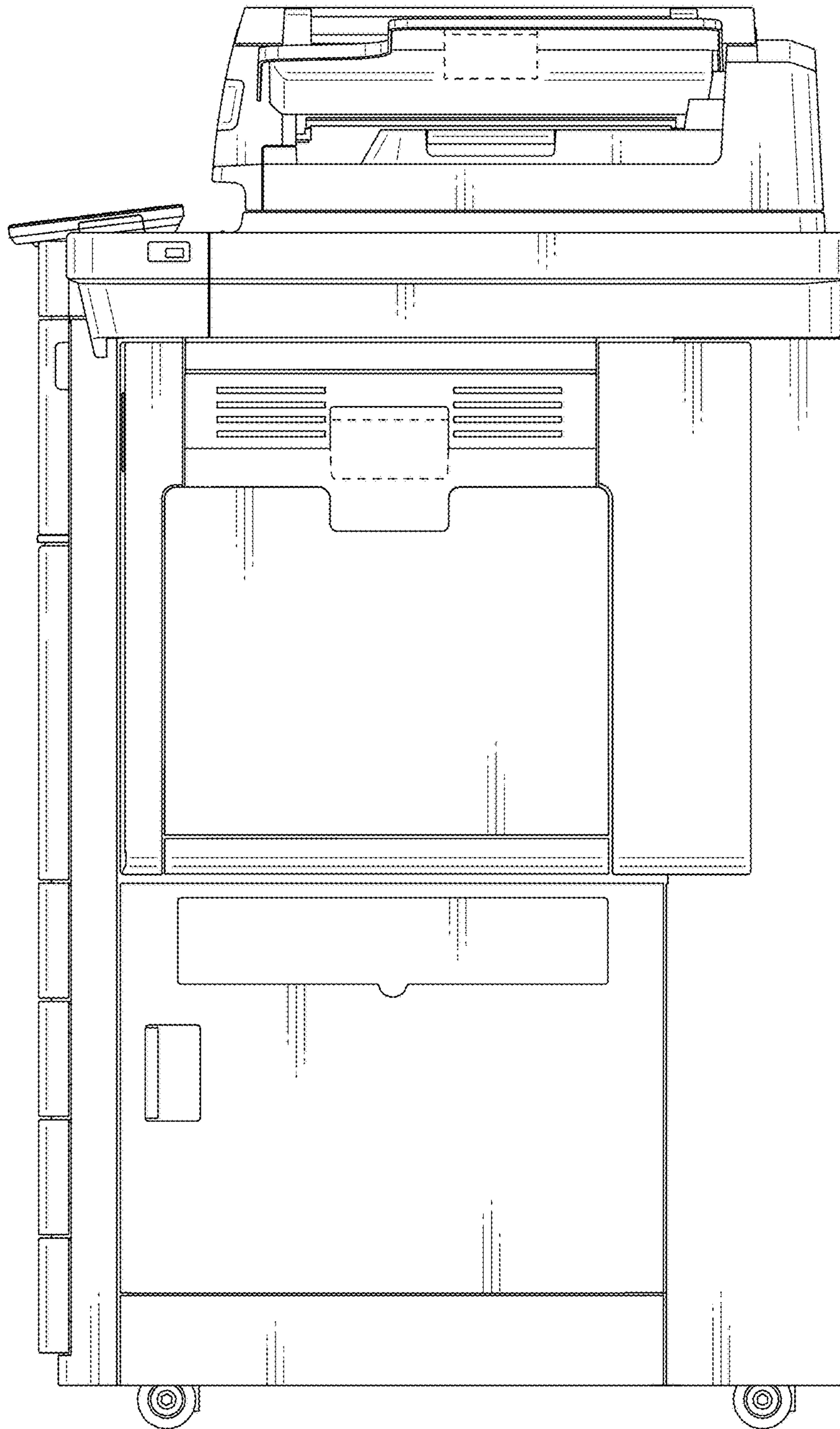


Fig. 6



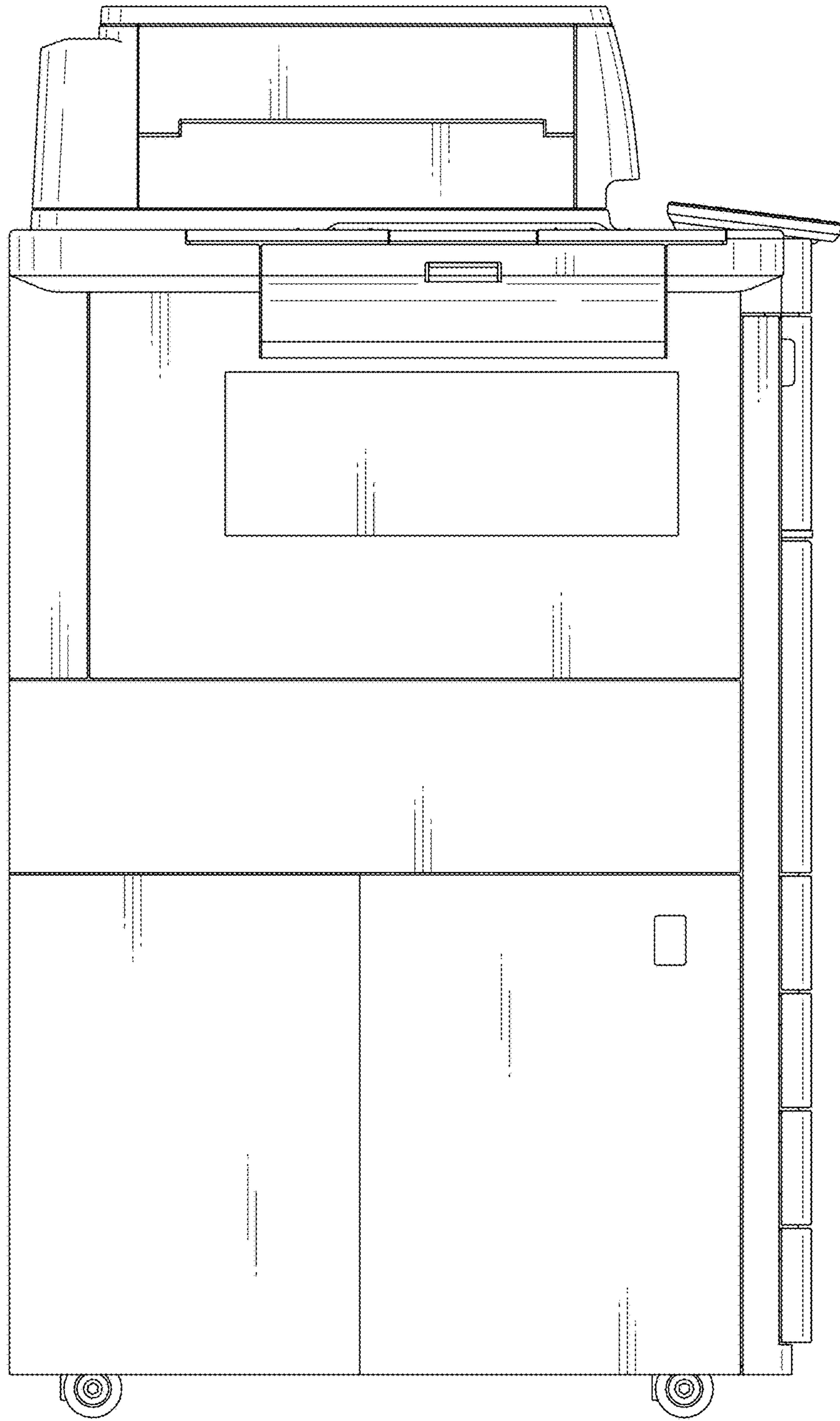


Fig. 7