



US00D803307S

(12) **United States Design Patent**
Riegler et al.

(10) **Patent No.:** **US D803,307 S**

(45) **Date of Patent:** **** Nov. 21, 2017**

(54) **HAND STAMP**

(71) Applicant: **Trodat GmbH, Wels (AT)**

(72) Inventors: **Konrad Riegler, Eberstalzell (AT);
Markus Zehetner, Leonding (AT);
Helmut Lindner, Peuerbach (AT)**

(73) Assignee: **Trodat GmbH, Wels (AT)**

(**) Term: **15 Years**

(21) Appl. No.: **29/567,664**

(22) Filed: **Jun. 10, 2016**

(30) **Foreign Application Priority Data**

Dec. 10, 2015 (EM) 02904854

(51) **LOC (10) Cl.** **19-02**

(52) **U.S. Cl.**
USPC **D18/15**

(58) **Field of Classification Search**
USPC D18/15, 16, 17, 18, 50; D19/65–68, 70,
D19/71

CPC . B41J 2/1752; B41J 3/36; B41J 29/023; B41J
2/17526; B41J 3/28; B41K 1/00; B41K
1/38; B41K 1/006; B41K 1/02; B41K
1/08; B41K 1/40; B41K 1/42; B41K
1/52; B41K 1/54; B41K 1/56; B41K
1/36; B23K 26/00; B23K 26/10; B41C
3/04; B41D 7/00

See application file for complete search history.

(56) **References Cited**

U.S. PATENT DOCUMENTS

D359,504 S * 6/1995 Stefanski D18/15
D400,566 S * 11/1998 Schreiberhuber D18/15
D417,464 S * 12/1999 Skopek D18/15
6,067,905 A * 5/2000 Faber B41K 1/40
101/334
D451,944 S * 12/2001 Lipkin D18/15

D538,328 S * 3/2007 Faber D18/15
D540,848 S * 4/2007 Faber D18/15
D542,335 S * 5/2007 Faber D18/15
D542,835 S * 5/2007 Faber D18/15

(Continued)

FOREIGN PATENT DOCUMENTS

AT WO 2006079129 A1 * 8/2006 B41K 1/36
AT WO 2006079131 A1 * 8/2006 B41K 1/40

(Continued)

OTHER PUBLICATIONS

Amazon. <URL: <https://www.amazon.com/dp/B01MQDH576?psc=1>> Nov. 3, 2016. Self-inking stamp.*

(Continued)

Primary Examiner — Bridget L Eland

Assistant Examiner — Lauren McVey

(74) *Attorney, Agent, or Firm* — Meyertons, Hood,
Kivlin, Kowert & Goetzel, P.C.

(57) **CLAIM**

The ornamental design for a hand stamp, as shown and described.

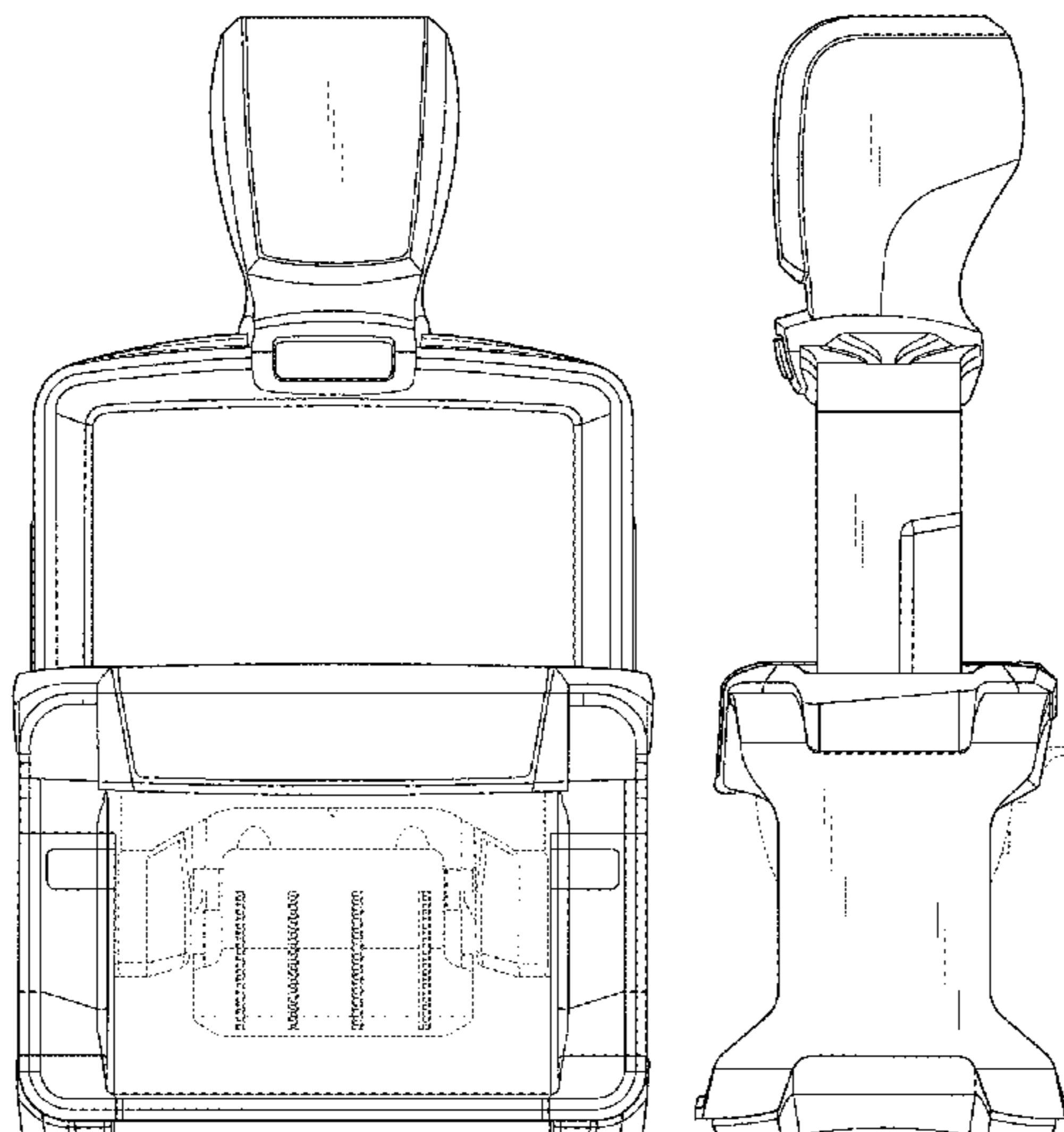
DESCRIPTION

FIG. 1 is a front and right side perspective view of a hand stamp, showing our new design;
FIG. 2 is a rear and right-side perspective view thereof;
FIG. 3 is a front view thereof;
FIG. 4 is a rear view thereof;
FIG. 5 is a top view thereof;
FIG. 6 is a left-side view thereof; and,
FIG. 7 is a right-side view thereof.

The broken lines are directed to environment; the broken lines form no part of the claimed design.

The wire frame lines shown throughout the views are intended to indicate surface contour.

1 Claim, 7 Drawing Sheets



(56)

References Cited

U.S. PATENT DOCUMENTS

D588,187 S * 3/2009 Shih D18/15
 7,520,221 B2 * 4/2009 Ameshofer B41K 1/36
 101/104
 D618,274 S * 6/2010 Faber D18/15
 8,402,890 B2 * 3/2013 Faber B41K 1/40
 101/104
 2001/0049669 A1 12/2001 Ito et al.
 2016/0325381 A1 11/2016 Pinot et al.
 2016/0361934 A1 12/2016 Riegler et al.
 2016/0361935 A1 12/2016 Sillipp et al.
 2016/0361936 A1 12/2016 Zehetner et al.
 2016/0368297 A1 12/2016 Scharinger et al.

FOREIGN PATENT DOCUMENTS

AT A50017/2014 1/2014
 AT A50473/2015 6/2015
 AT A50474/2015 6/2015
 AT A50475/2015 6/2015
 AT A50478/2015 6/2015
 AT WO 2016197170 A1 * 12/2016 B41K 1/04
 CN 301153224 * 3/2010
 CN 304057437 * 2/2017
 EM 002716431-0001 * 1/2017
 EP 2594406 5/2013
 WO 2004085110 10/2004

WO 2010085828 8/2010
 WO 2011056345 5/2011
 WO 2014172738 10/2014
 WO 2015103654 7/2015

OTHER PUBLICATIONS

Amazon. <URL: <http://a.co/3GHpXYC>> Feb. 12, 2013. Self-inking stamp.*
 Co-Pending Design U.S. Appl. No. 29/567,664 entitled, “Hand Stamp” to Riegler et al. filed Jun. 10, 2016.
 Co-Pending Design U.S. Appl. No. 29/567,665 entitled, “Stamp Pad” to Riegler et al. filed Jun. 10, 2016.
 Co-Pending Design U.S. Appl. No. 29/567,666 entitled, “Hand Stamp” to Riegler et al., filed Jun. 10, 2016.
 NPL03—Written Opinion for PCT/AT2015/050003 dated Sep. 11, 2015. (publication No. WO2015103654).
 NPL04—International Search Report for PCT/AT2015/050003 dated Dec. 11, 2015. (publication No. WO2015103654).
 NPL05—Registered Community Design No. 002904854, registered Community design for hand stamp and pad, Dec. 10, 2015, 23 pages.
 Riegler et al., Design U.S. Appl. No. 29/548,144, entitled “Hand Stamp”, filed Dec. 10, 2015, 7 pages.
 Registered Community Design No. 002716431, registered Community design for hand stamp and pad, Jun. 10, 2015, 86 pages.

* cited by examiner

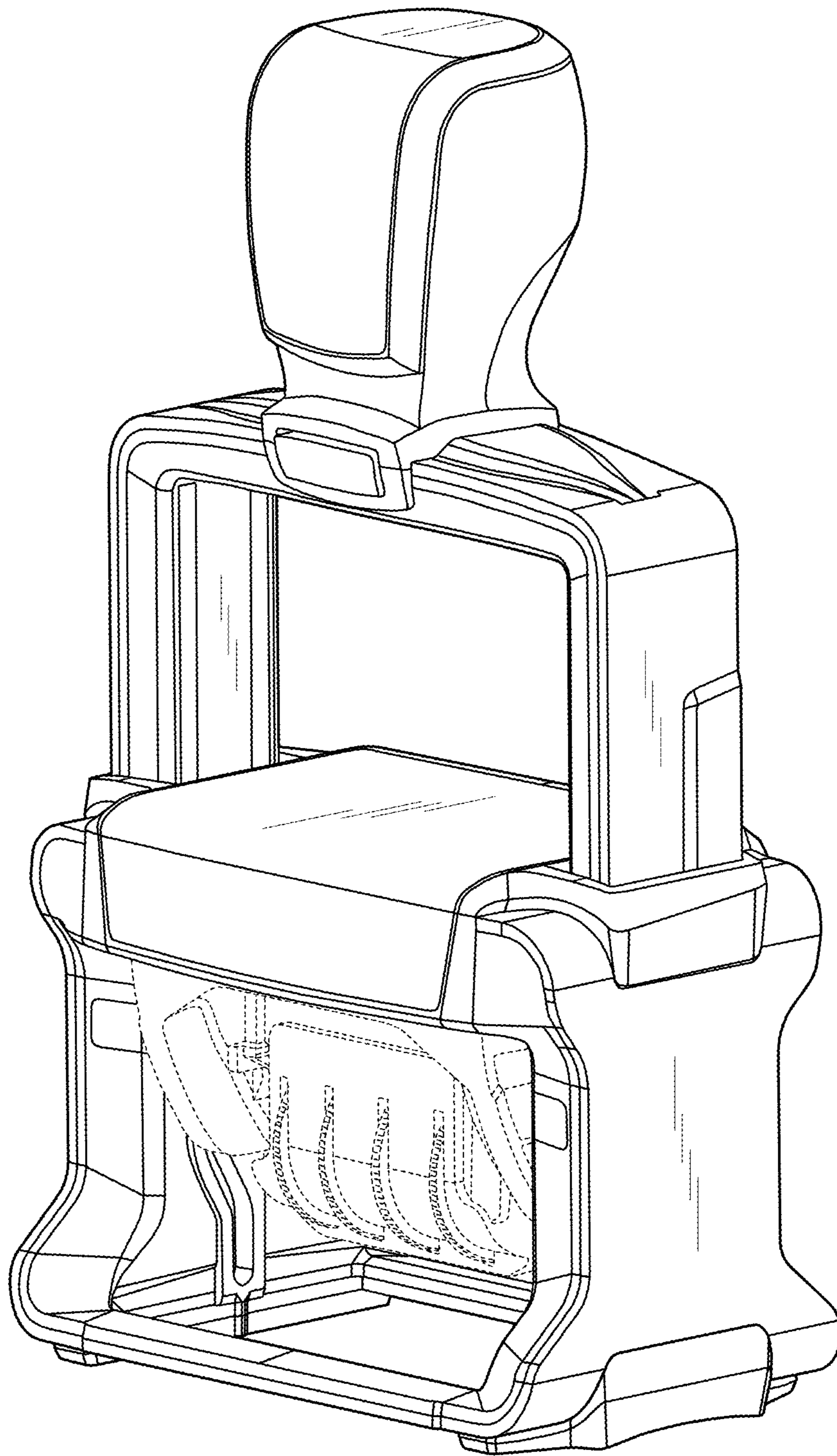


FIG. 1

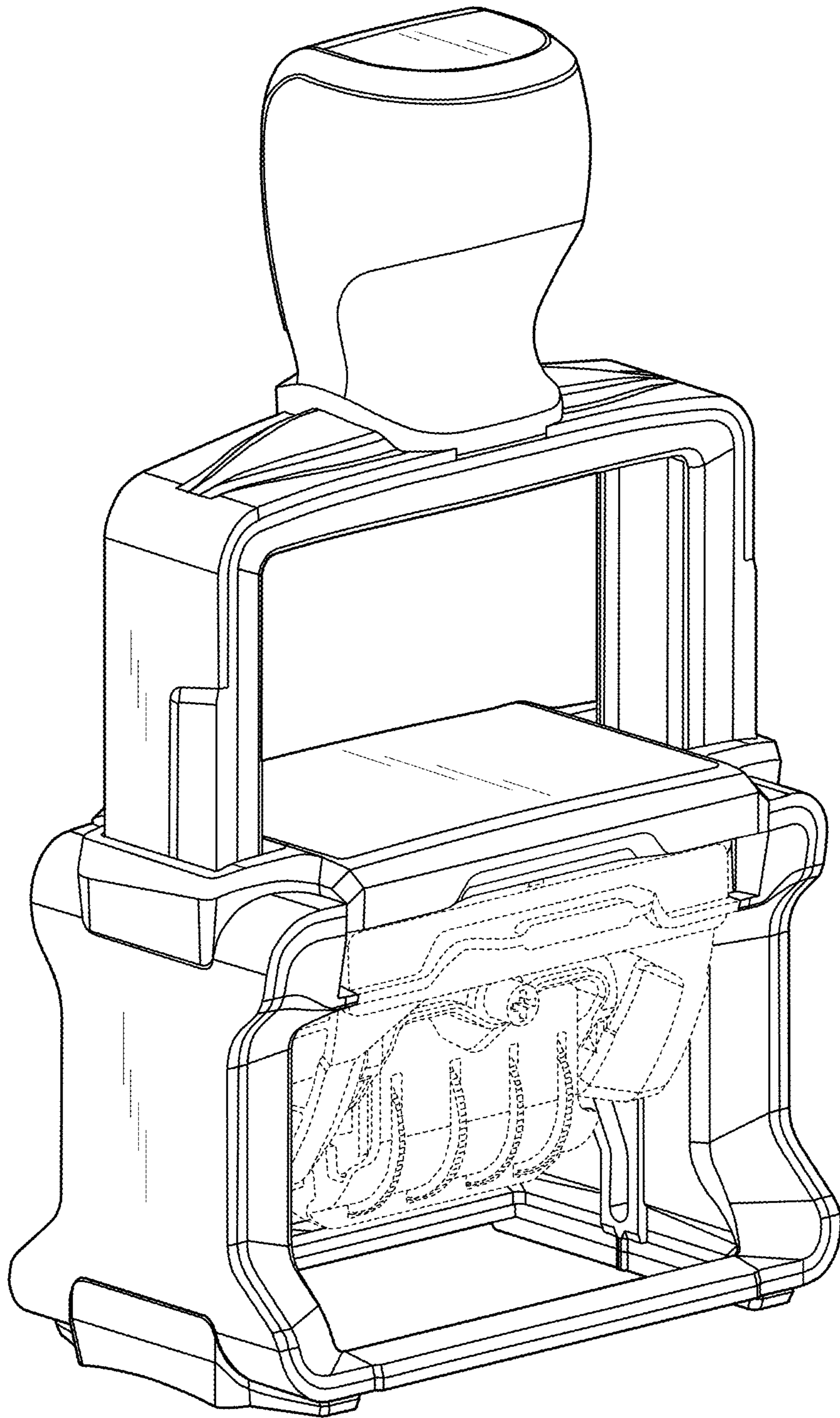


FIG. 2

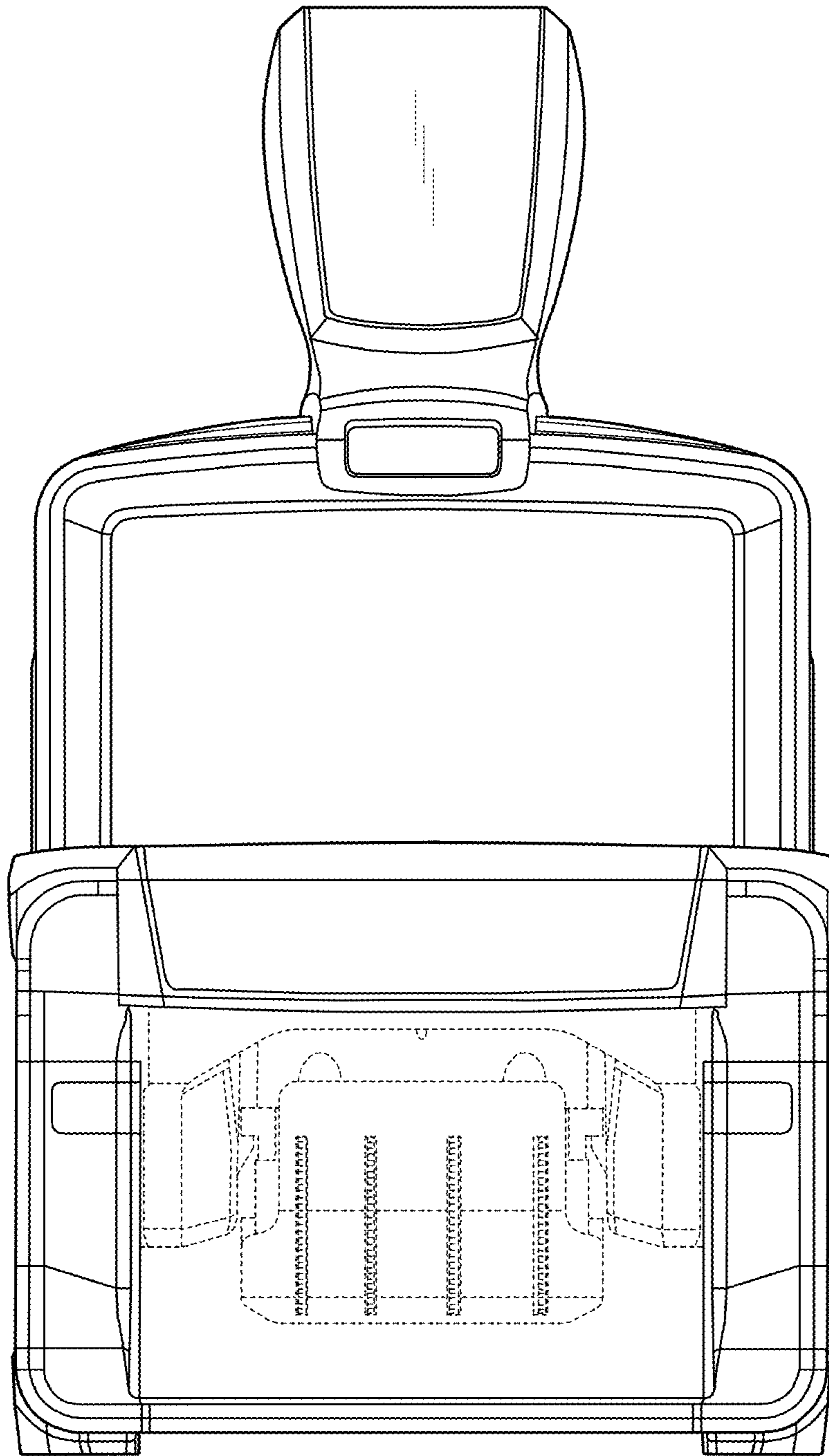


FIG. 3

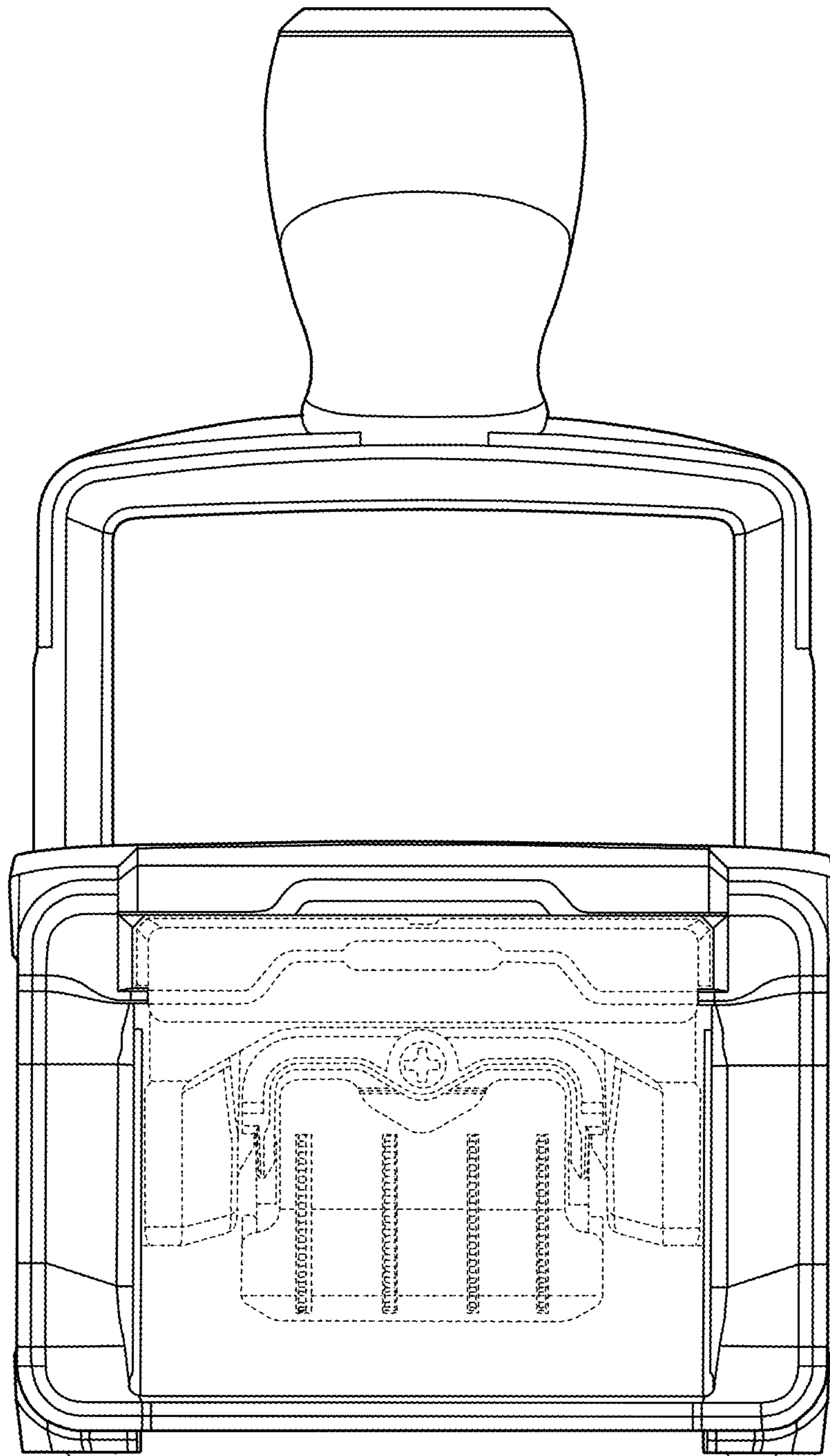


FIG. 4

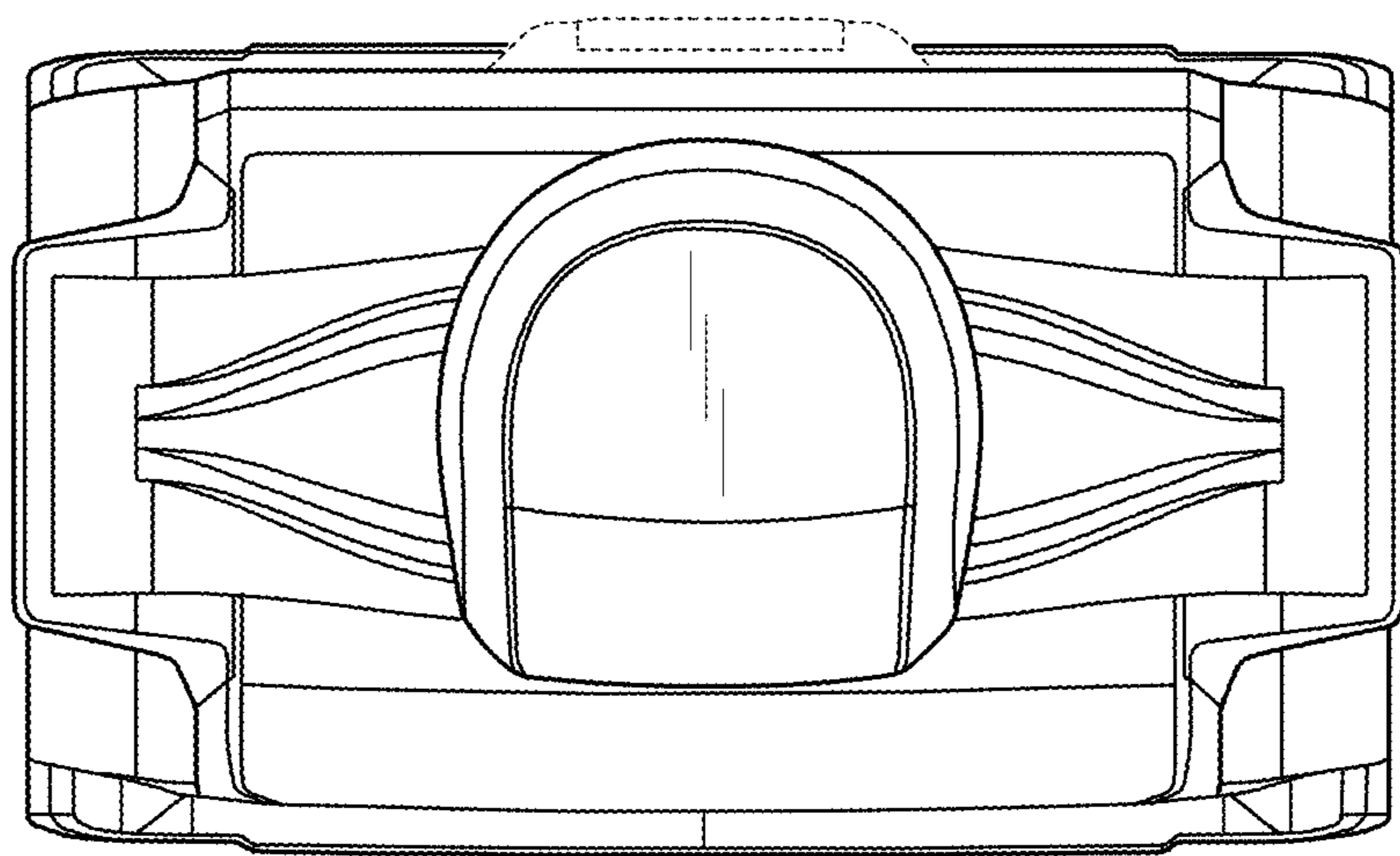


FIG. 5

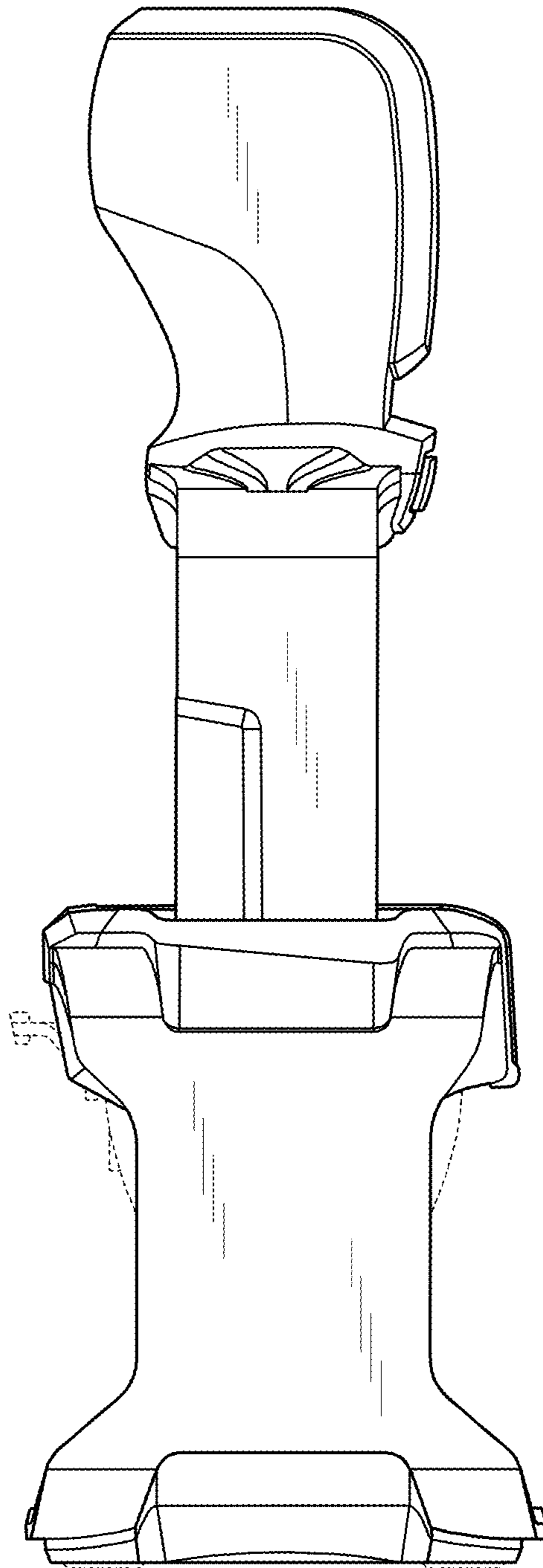


FIG. 6

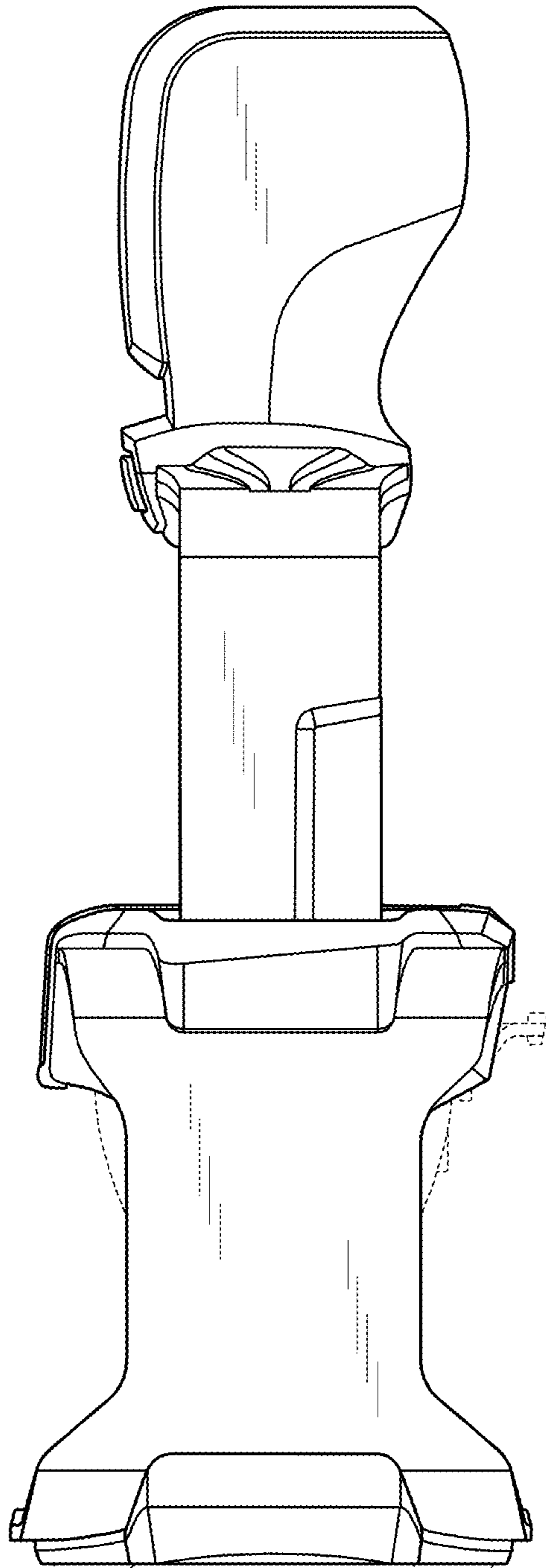


FIG. 7