



US00D803305S

(12) **United States Design Patent**
Chou

(10) **Patent No.:** **US D803,305 S**

(45) **Date of Patent:** **** Nov. 21, 2017**

(54) **EYEGLASSES**

(71) Applicant: **HSIEN CHANG OPTICAL INDUSTRIAL CO., LTD.**, Tainan (TW)

(72) Inventor: **Wen-Hsiung Chou**, Tainan (TW)

(73) Assignee: **Hsien Chang Optical Industrial Co., Ltd.**, Tainan (TW)

(**) Term: **15 Years**

(21) Appl. No.: **29/572,329**

(22) Filed: **Jul. 27, 2016**

(51) **LOC (10) Cl.** **16-06**

(52) **U.S. Cl.**
USPC **D16/326**

(58) **Field of Classification Search**
USPC D16/300, 312-315, 317, 322, 325-327, 351/158
D16/329, 330, 335; 351/41, 44, 51, 52,
351/158
CPC G02C 2200/08; G02C 5/008; G02C 5/006;
G02C 5/08; G02C 7/105; G02B
2027/0178
See application file for complete search history.

D633,130 S * 2/2011 Chou D16/315
D640,307 S * 6/2011 Sheldon D16/315
D647,126 S * 10/2011 Chou D16/315
D703,730 S * 4/2014 Markovitz D16/314
D781,368 S * 3/2017 Lin D16/315

OTHER PUBLICATIONS

3M 11330 Virtua Anti-Fog Safety Glasses, posted at amazon.com, posting date Aug. 13, 2008, [online], [site visited Sep. 14, 2017]. Available from Internet, URL: <https://www.amazon.com/3M11330AntiFogGrayFrameGrayLens/dp/B0006PJHM6>.
Uline Anti-Fog Ice Wraparounds S-21076, posted at uline.com, posting date not given, [online], [site visited Sep. 14, 2017]. Available from Internet, URL: <https://www.uline.com/Product/Detail/S21076/SafetyGlasses/AntifogIceWraparounds>.

(Continued)

Primary Examiner — George D. Kirschbaum
Assistant Examiner — Maria J Edwards
(74) *Attorney, Agent, or Firm* — Rosenberg, Klein & Lee

(57) **CLAIM**

The ornamental design for eyeglasses, as shown and described.

DESCRIPTION

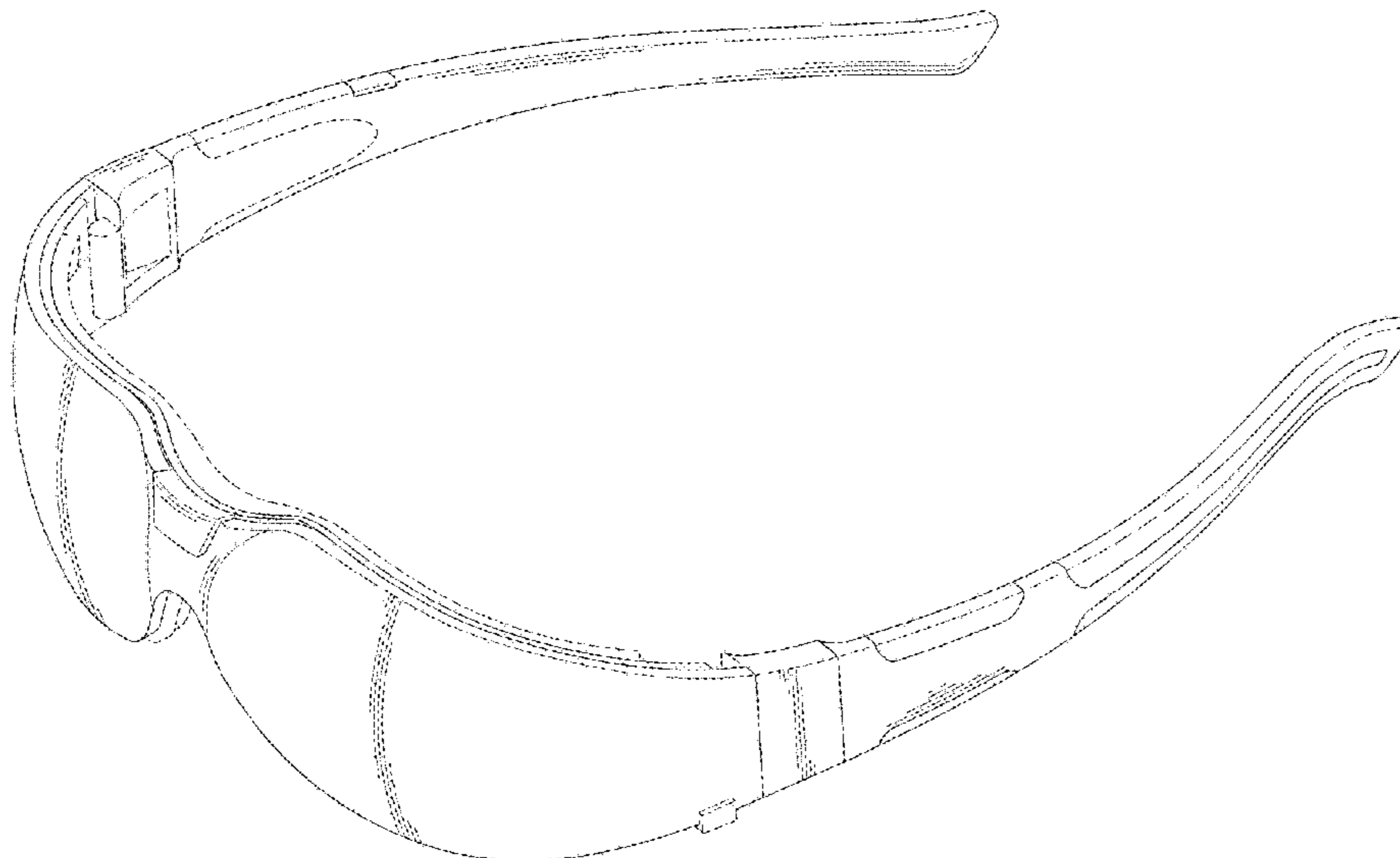
FIG. 1 is a perspective view of eyeglasses my new design; FIG. 2 is a front elevational view thereof; FIG. 3 is a rear elevational view thereof; FIG. 4 is a left side elevational view thereof; FIG. 5 is a right side elevational view thereof; FIG. 6 is a top plan view thereof; and, FIG. 7 is a bottom plan view thereof. The broken lines illustrate portions of the article and form no part of the claimed design.

1 Claim, 7 Drawing Sheets

(56) **References Cited**

U.S. PATENT DOCUMENTS

D193,028 S * 6/1962 Petitto D16/326
D196,000 S * 8/1963 McNeill D16/315
D495,729 S * 9/2004 Hou D16/314
D514,614 S * 2/2006 Yang D16/315
D544,018 S * 6/2007 Huang D16/315
D547,357 S * 7/2007 Yang D16/315
D561,234 S * 2/2008 Sheldon D16/315
D585,474 S * 1/2009 Tu D16/314
D588,627 S * 3/2009 Yee D16/314
D605,686 S * 12/2009 Yasuhara D16/314
D629,036 S * 12/2010 Yee D16/314



(56)

References Cited

OTHER PUBLICATIONS

Cat Mortar Rimless Safety Glasses, posted at mammothworkwear.com, posting date not given, [online], [site visited Sep. 14, 2017]. Available from Internet, URL: <http://mammothworkwear.com/catmortarrimlessafetyglasses1614.htm>.*

Cat Safety Glasses Shield 100, posted at homedepot.com, posting date not given, [online], [site visited Sep. 14, 2017]. Available from Internet, URL: <http://www.homedepot.com/p/CATSafetyGlassesShieldClearLenswithCaseSHIELD100/205798770>.*

* cited by examiner

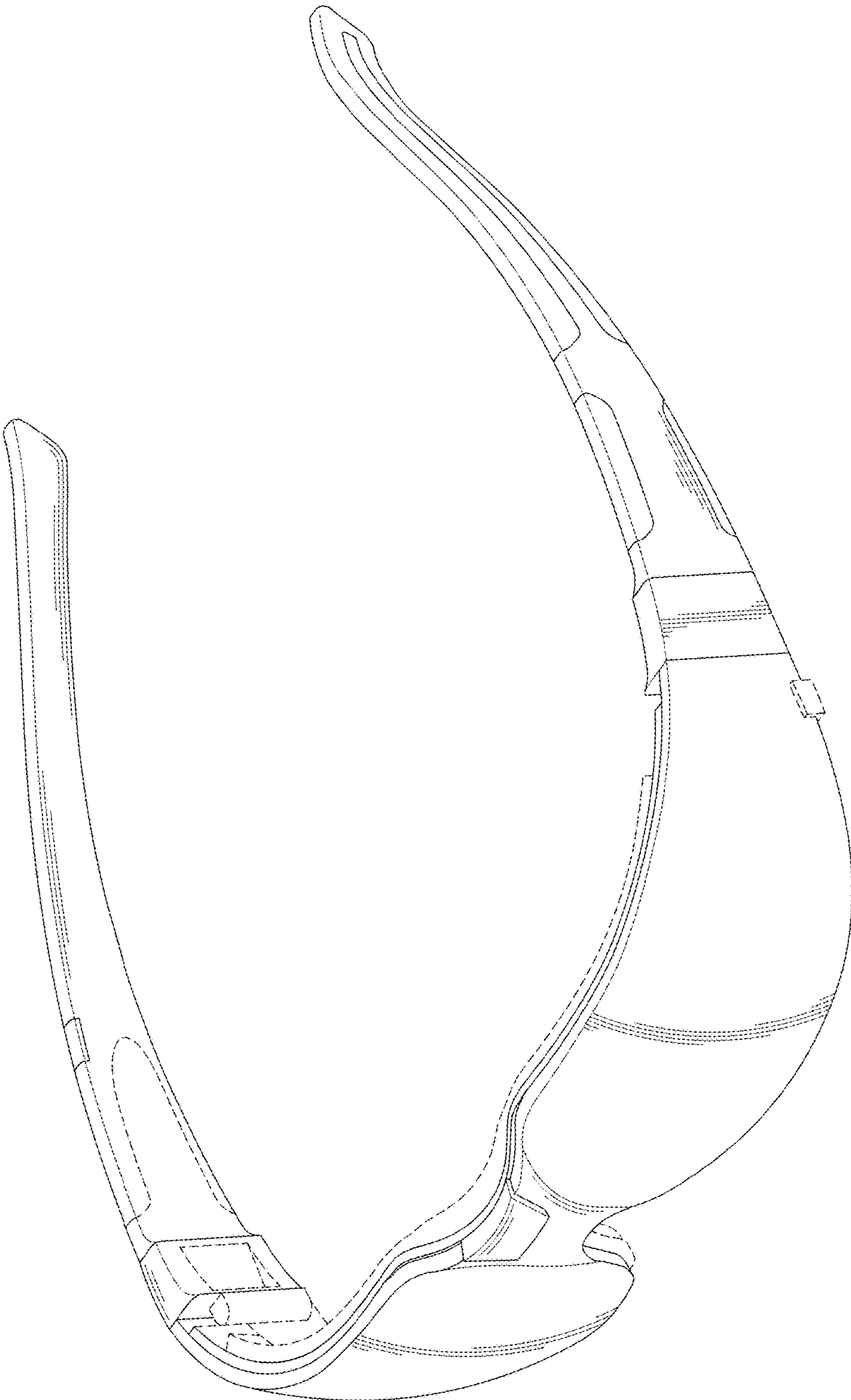


FIG. 1

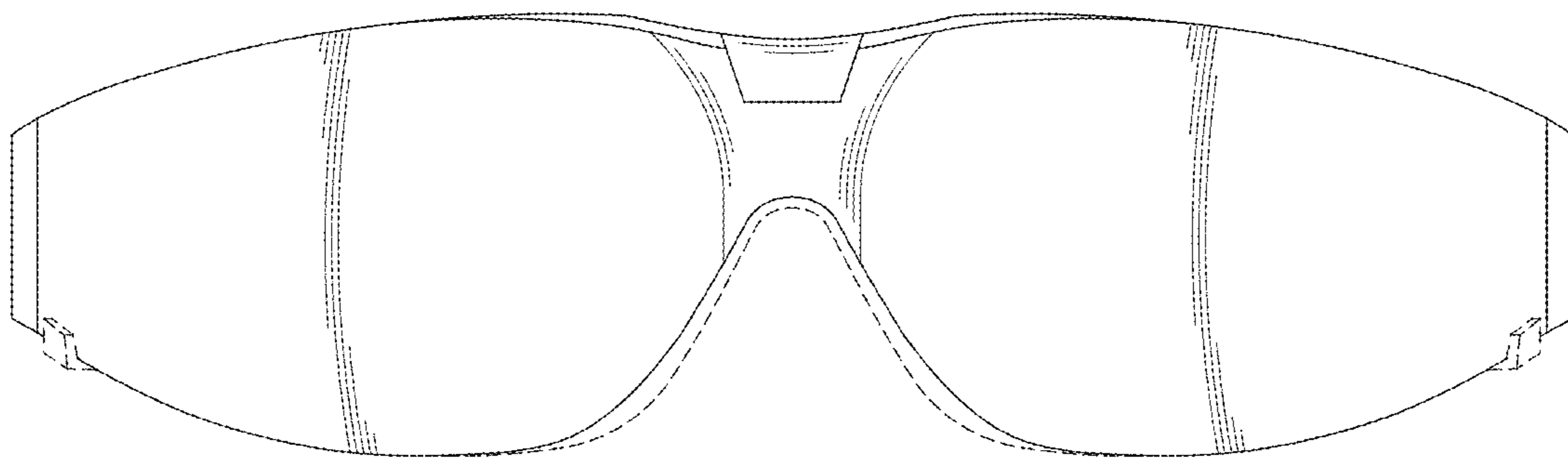


FIG. 2

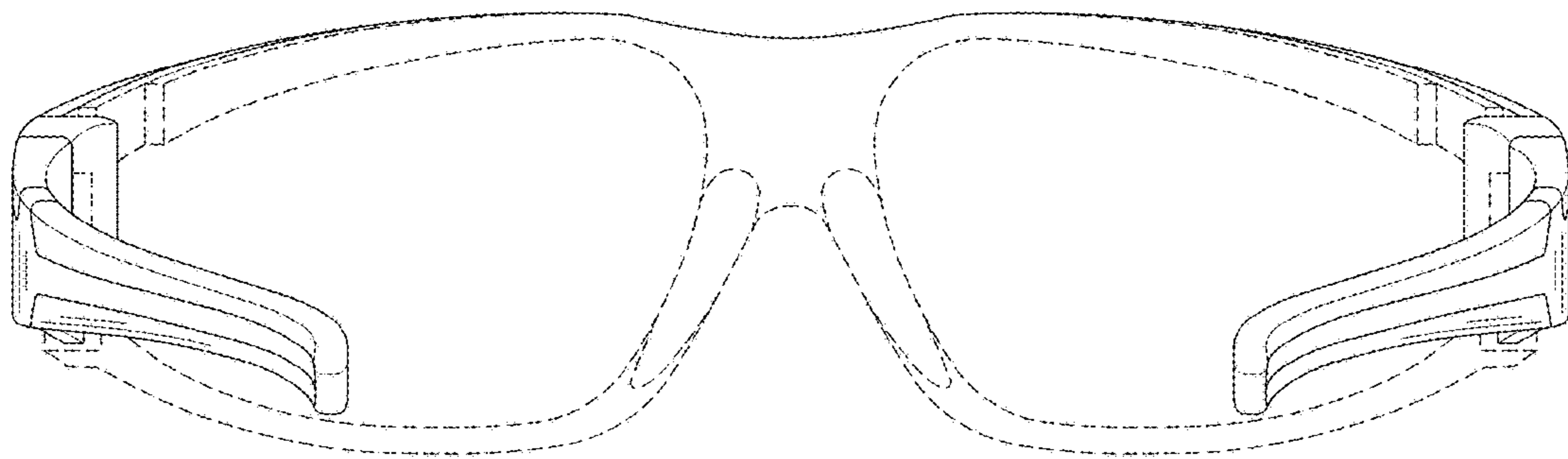


FIG. 3

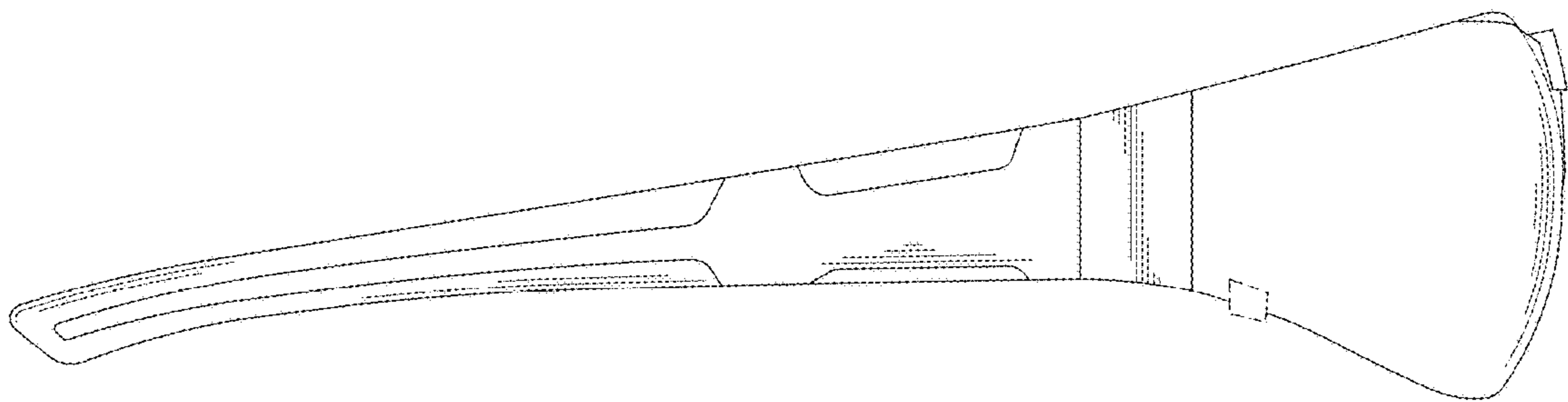


FIG. 4

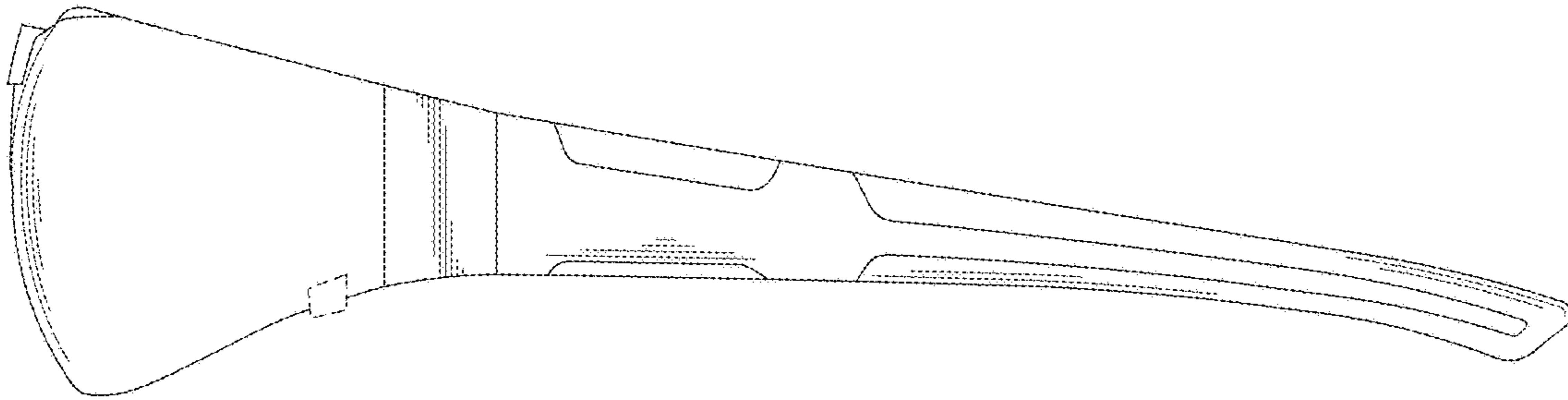


FIG. 5

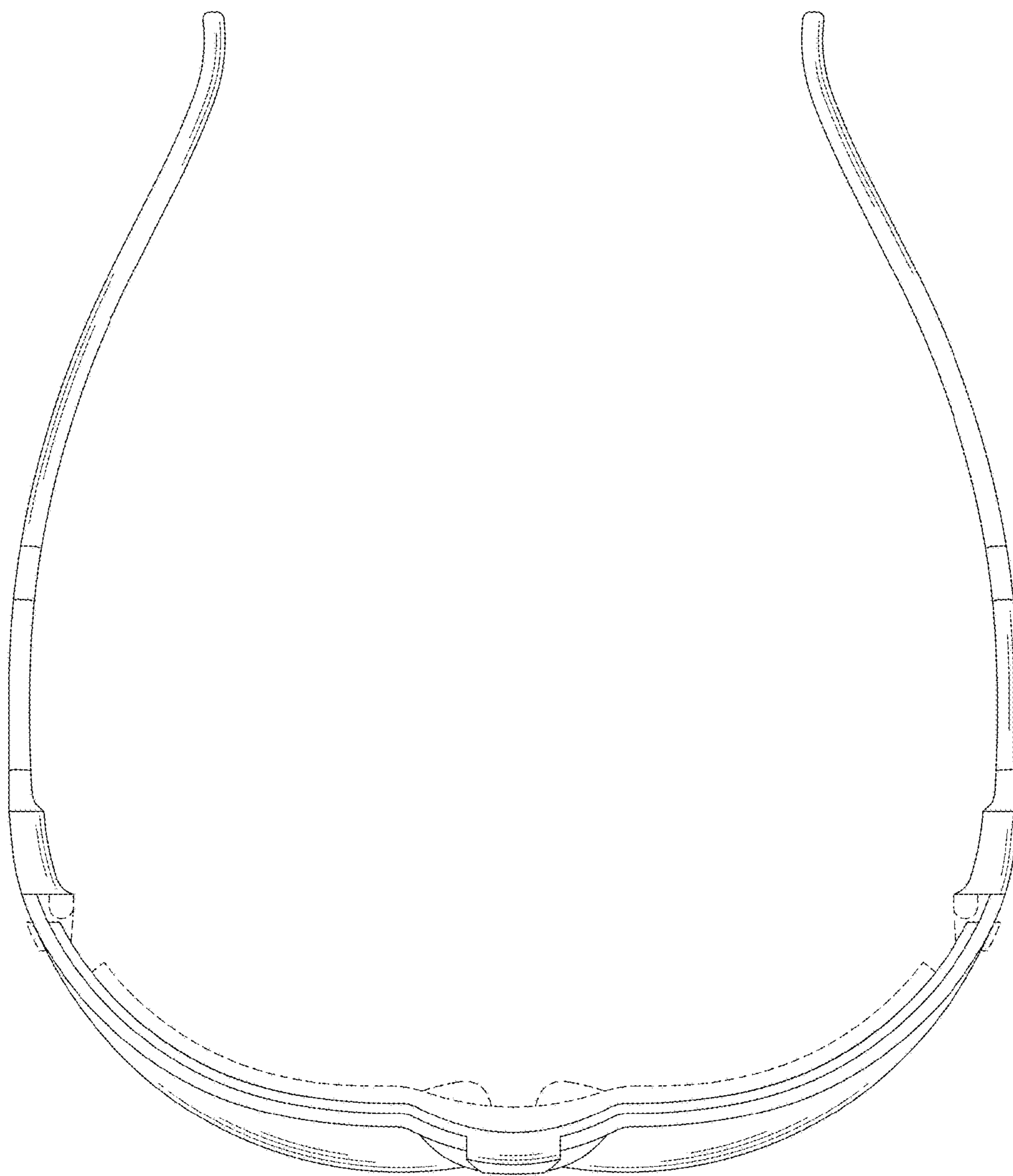


FIG. 6

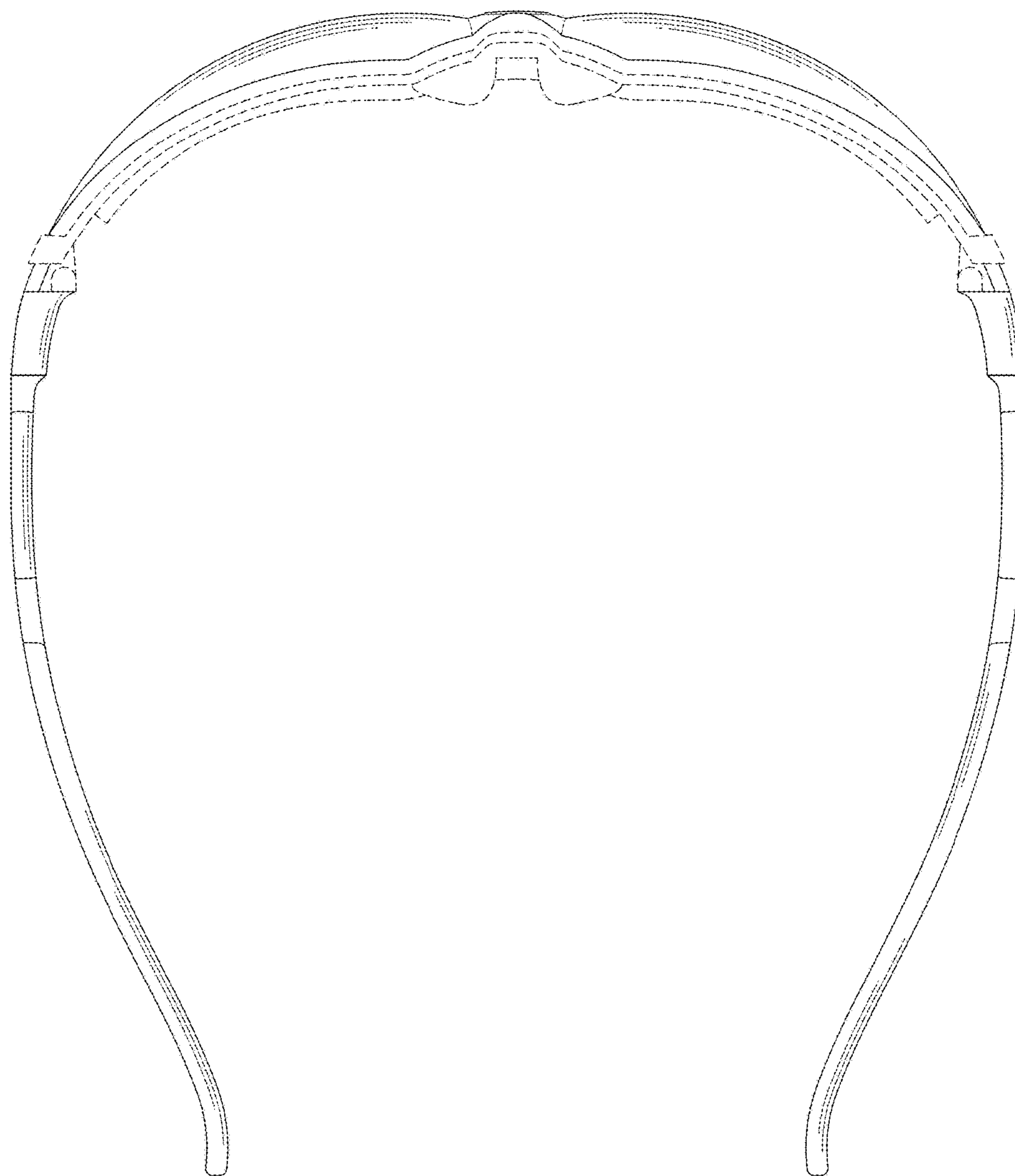


FIG. 7