



US00D803303S

(12) **United States Design Patent**
Park et al.

(10) **Patent No.:** **US D803,303 S**

(45) **Date of Patent:** **** Nov. 21, 2017**

(54) **EYEWEAR**
(71) Applicant: **Modne, Inc.**, Cerritos, CA (US)
(72) Inventors: **Saehee Park**, Arcadia, CA (US); **Judy Chung**, Arcadia, CA (US); **Kidong Kwon**, Glendale, CA (US); **TaeHun Kim**, Irvine, CA (US)
(73) Assignee: **Modne, Inc.**, Cerritos, CA (US)
(**) Term: **15 Years**

3,402,005 A * 9/1968 Liataud G02C 5/00
351/111
3,479,110 A * 11/1969 Fromm G02C 3/003
351/113
4,017,165 A * 4/1977 Davis G02C 5/00
351/120
4,032,223 A * 6/1977 Bradley, Jr. G02C 5/00
351/132
4,045,137 A * 8/1977 Bradley, Jr. G02C 5/122
351/132
D368,924 S * 4/1996 Jones D16/335
D384,092 S * 9/1997 Hall D16/335
(Continued)

(21) Appl. No.: **29/563,281**

OTHER PUBLICATIONS

(22) Filed: **May 3, 2016**

Glasses. (Design—© Questel). orbit.com. [online PDF] 36 pgs. Print Dates range from Jan. 30, 2013 to Apr. 5, 2017[retrieved on Apr. 25, 2017] <https://sobjprd.questel.fr/export/QPTUJ214/pdf2/63b12f9d-4456-437c-9979-4a416d6b6186-221339.pdf>.*

(30) **Foreign Application Priority Data**

Nov. 26, 2015 (KR) 30-2015-0059824

(51) **LOC (10) Cl.** **16-06**

(52) **U.S. Cl.**
USPC **D16/326**; D16/327

(58) **Field of Classification Search**
USPC D16/101, 300-342, 900; D29/109, 110; D14/372; D21/483, 659-661; 351/41, 351/44, 45, 46, 48, 51-52, 59, 62-65, 83, 351/85, 92, 103-123, 140, 153, 158
CPC ... G02C 5/02; G02C 5/06; G02C 5/10; G02C 5/006; G02C 5/14; G02C 5/20; G02C 5/122; G02C 5/126; G02C 5/08; G02C 1/00; G02C 1/02; G02C 1/04; G02C 1/06; G02C 1/08
See application file for complete search history.

Primary Examiner — Susan Bennett Hattan
Assistant Examiner — Marie D. Fast Horse
(74) *Attorney, Agent, or Firm* — Stradling Yocca Carlson & Rauth

(57) **CLAIM**

The ornamental design for the eyewear, as shown and described.

DESCRIPTION

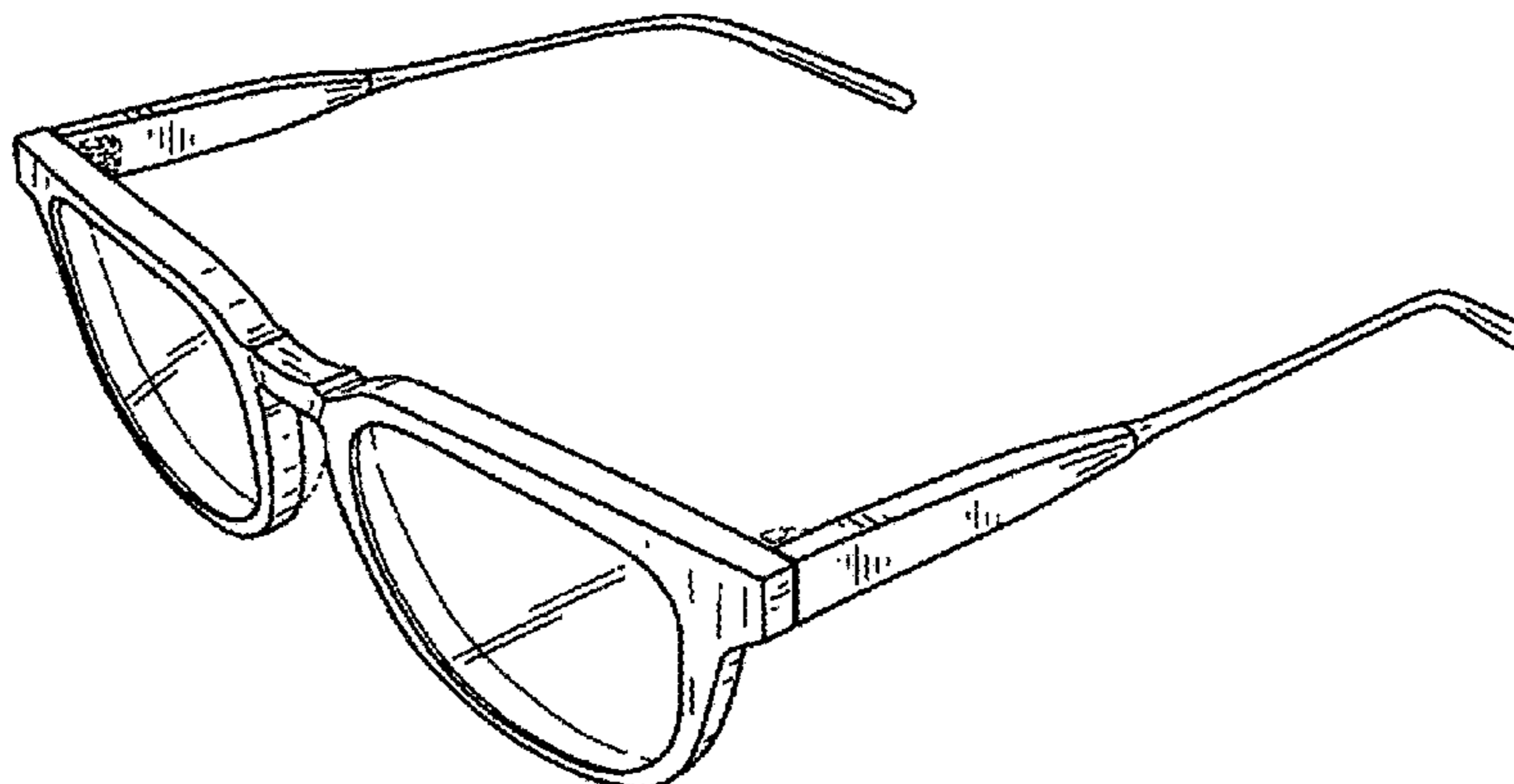
FIG. 1 is an isometric view of the front of eyewear; FIG. 2 is a front view of the eyewear; FIG. 3 is a back view of the eyewear; FIG. 4 is a right side view of the eyewear; FIG. 5 is a left side view of the eyewear; FIG. 6 is a top view of the eyewear; and, FIG. 7 is a bottom view of the eyewear. The broken lines in the drawings represent portions of the eyewear that form no part of the claimed design.

(56) **References Cited**

U.S. PATENT DOCUMENTS

D154,672 S * 8/1949 Fornicoia D16/335
D165,973 S * 2/1952 Girouard D16/326
D171,745 S * 3/1954 Belgard D16/319
3,033,359 A * 5/1962 Mercer G02C 7/10
2/13
D208,437 S * 8/1967 Kono D16/326

1 Claim, 5 Drawing Sheets



(56)

References Cited

U.S. PATENT DOCUMENTS

D412,179 S * 7/1999 Hall D16/334
 D427,622 S * 7/2000 Conway D16/326
 D581,450 S * 11/2008 Moritz D16/326
 D622,304 S 8/2010 Baden et al.
 D655,741 S 3/2012 Yee
 D656,177 S * 3/2012 Sallard D16/326
 D659,182 S * 5/2012 Shin D16/326
 D671,980 S * 12/2012 Sallard D16/323
 D675,665 S * 2/2013 Faber D16/306
 D680,574 S * 4/2013 DeCelles D16/309
 D700,933 S * 3/2014 Shin D16/326
 D702,757 S 4/2014 Thixton et al.
 D709,122 S * 7/2014 Markovitz D16/326
 D718,372 S * 11/2014 Markovitz D16/326
 D719,998 S * 12/2014 Markovitz D16/326
 D724,649 S 3/2015 Shin
 D734,808 S * 7/2015 Markovitz D16/326
 D735,797 S * 8/2015 Aquino D16/309

D737,885 S * 9/2015 Markovitz D16/326
 D737,886 S * 9/2015 Markovitz D16/326
 D737,888 S * 9/2015 Markovitz D16/326
 D748,188 S * 1/2016 Shin D16/326
 9,268,156 B1 * 2/2016 Vecchiarelli G02C 5/008
 D751,630 S * 3/2016 Galleani D16/324
 D769,355 S * 10/2016 Markovitz D16/326
 D769,356 S * 10/2016 Markovitz D16/326
 D769,358 S * 10/2016 Markovitz D16/326
 D769,360 S * 10/2016 Markovitz D16/326
 D769,361 S * 10/2016 Markovitz D16/326
 D770,559 S * 11/2016 Shin D16/326
 D771,735 S * 11/2016 Lee D16/309
 D772,330 S * 11/2016 Hsu D16/326
 D776,751 S * 1/2017 Cazalet D16/300
 D780,829 S * 3/2017 Bonaventura D16/326
 D780,830 S * 3/2017 Bonaventura D16/326
 2014/0063436 A1 * 3/2014 Bretl G02C 5/02
 351/51
 2016/0299359 A1 * 10/2016 Ogawa G02C 1/08

* cited by examiner

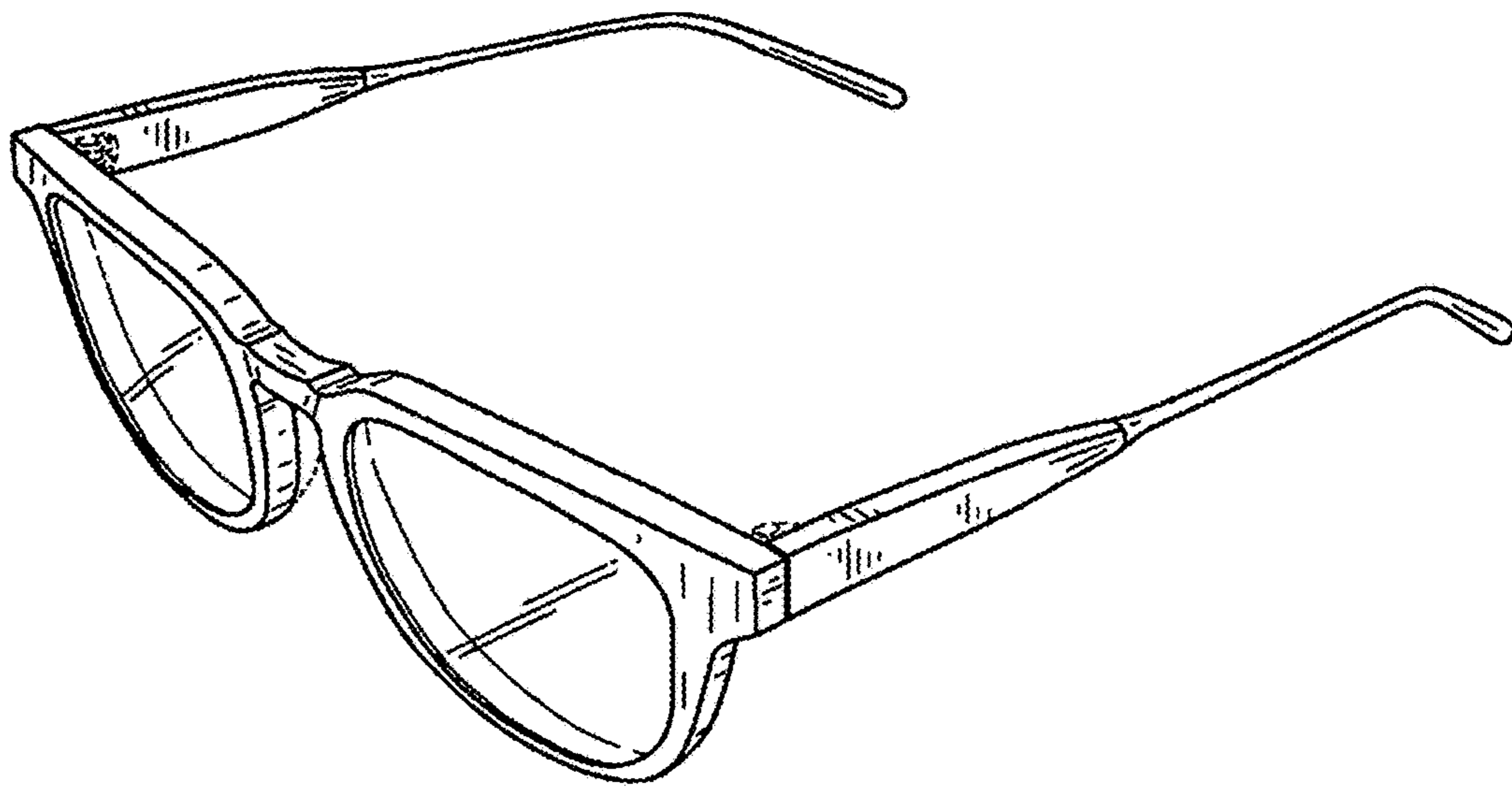


FIG. 1

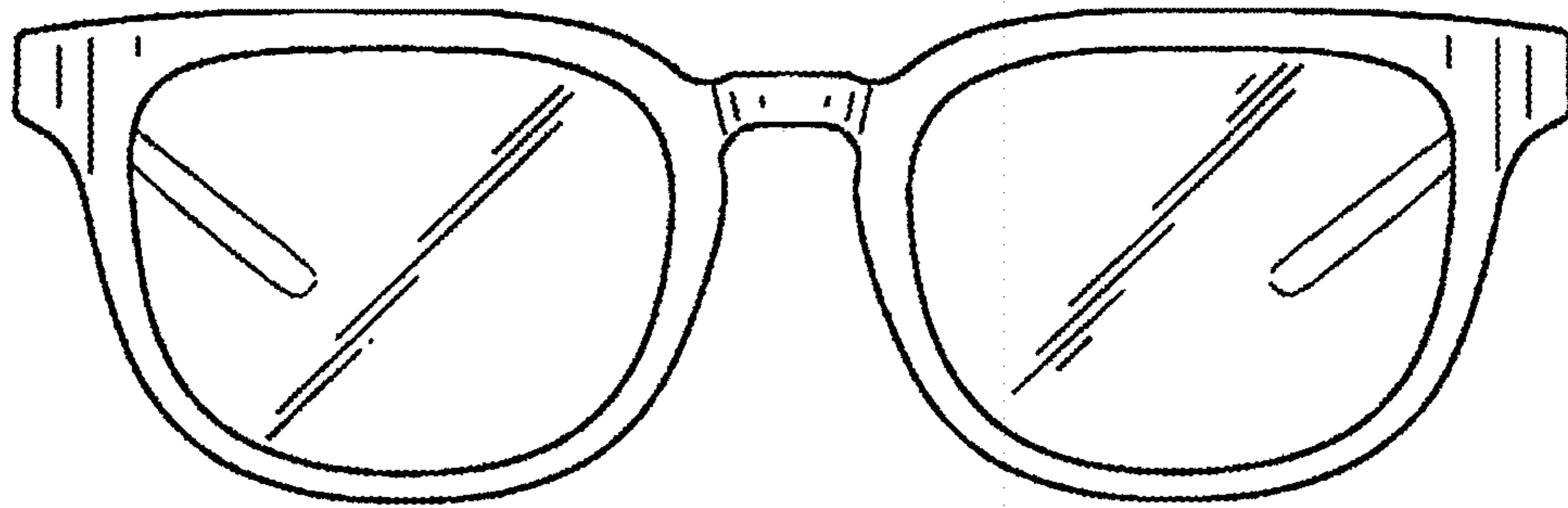


FIG. 2

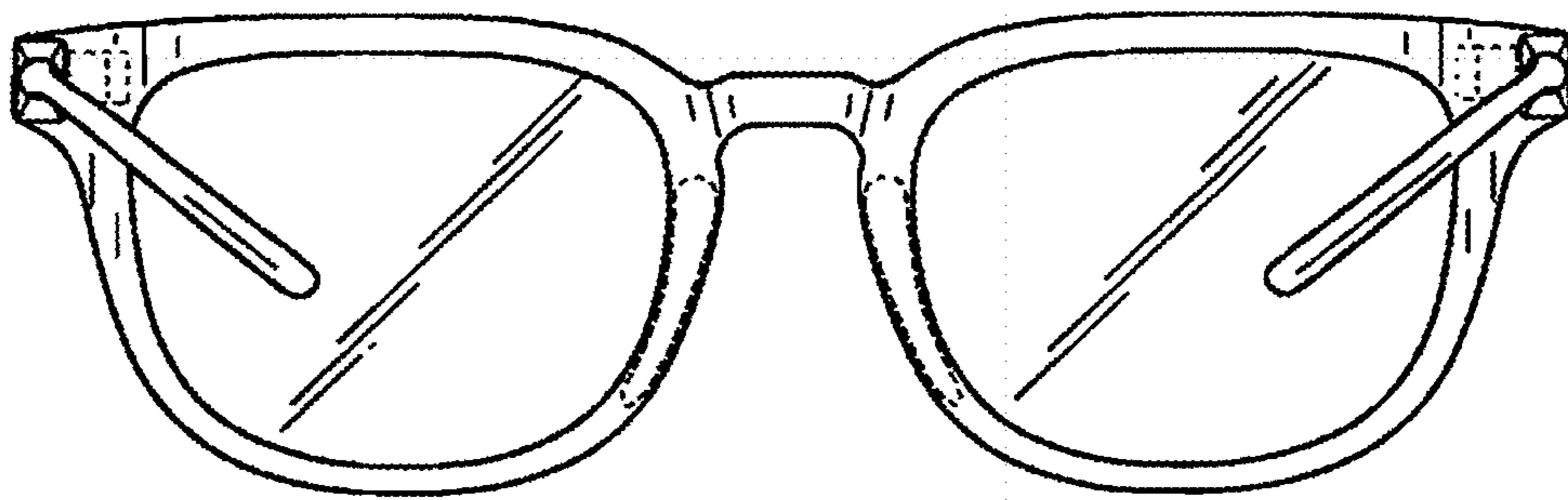


FIG. 3

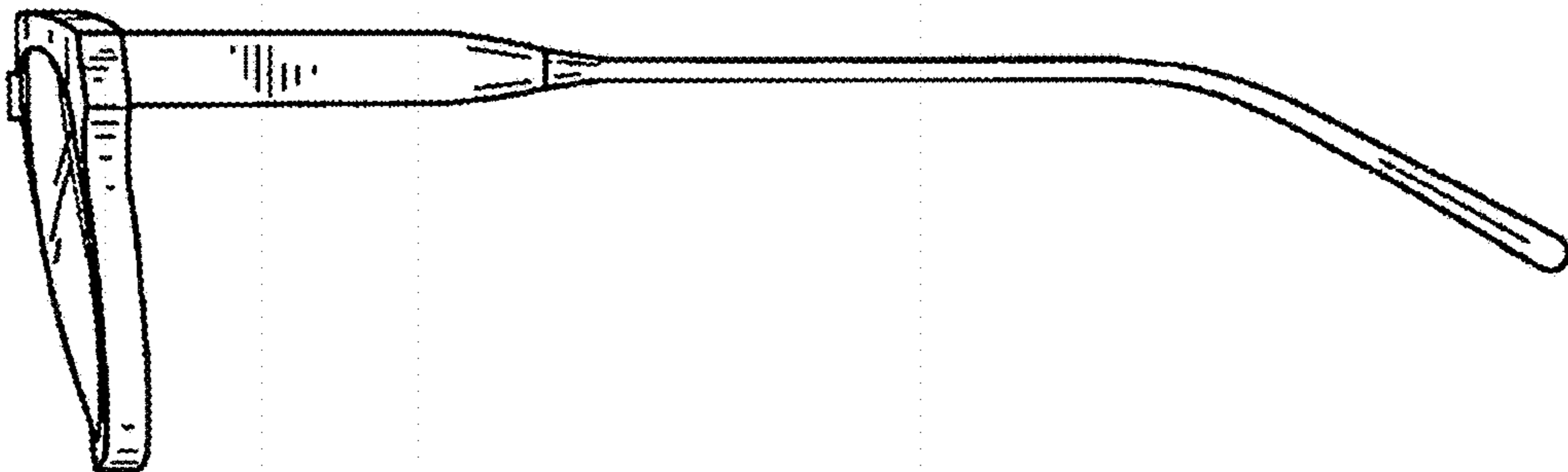


FIG. 4

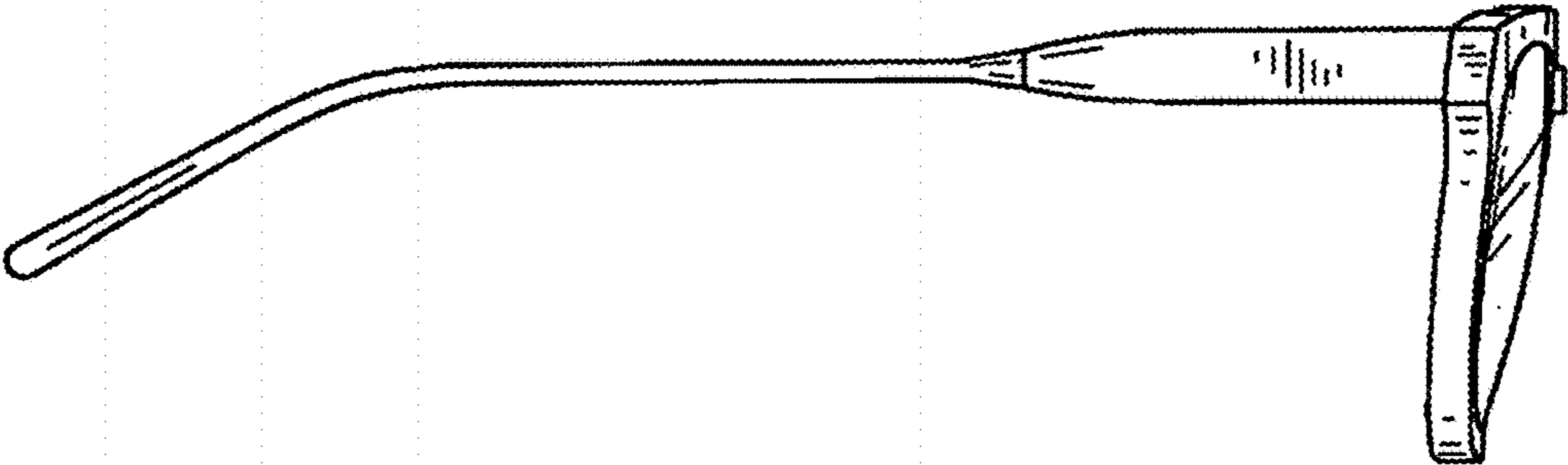


FIG. 5

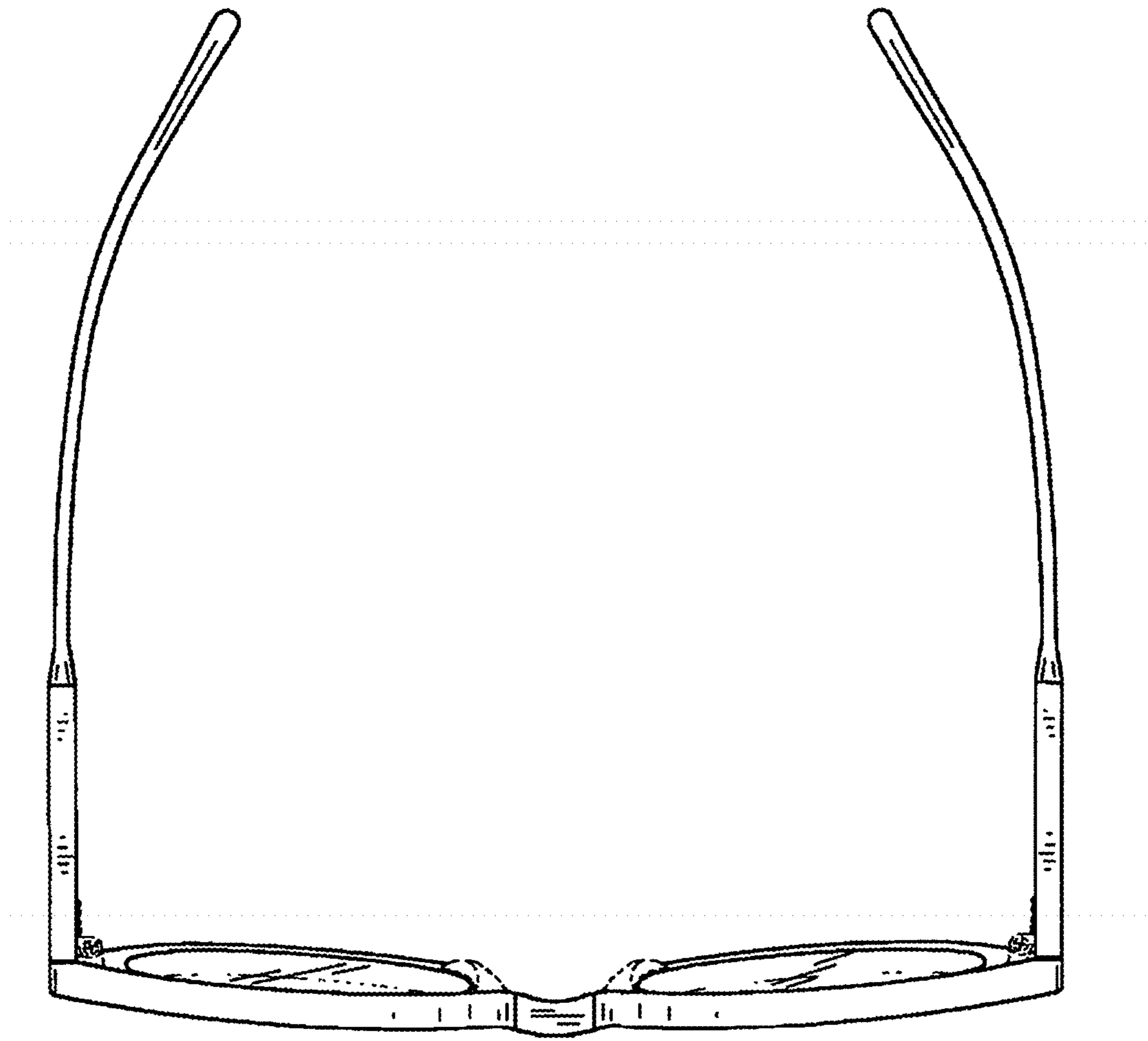


FIG. 6

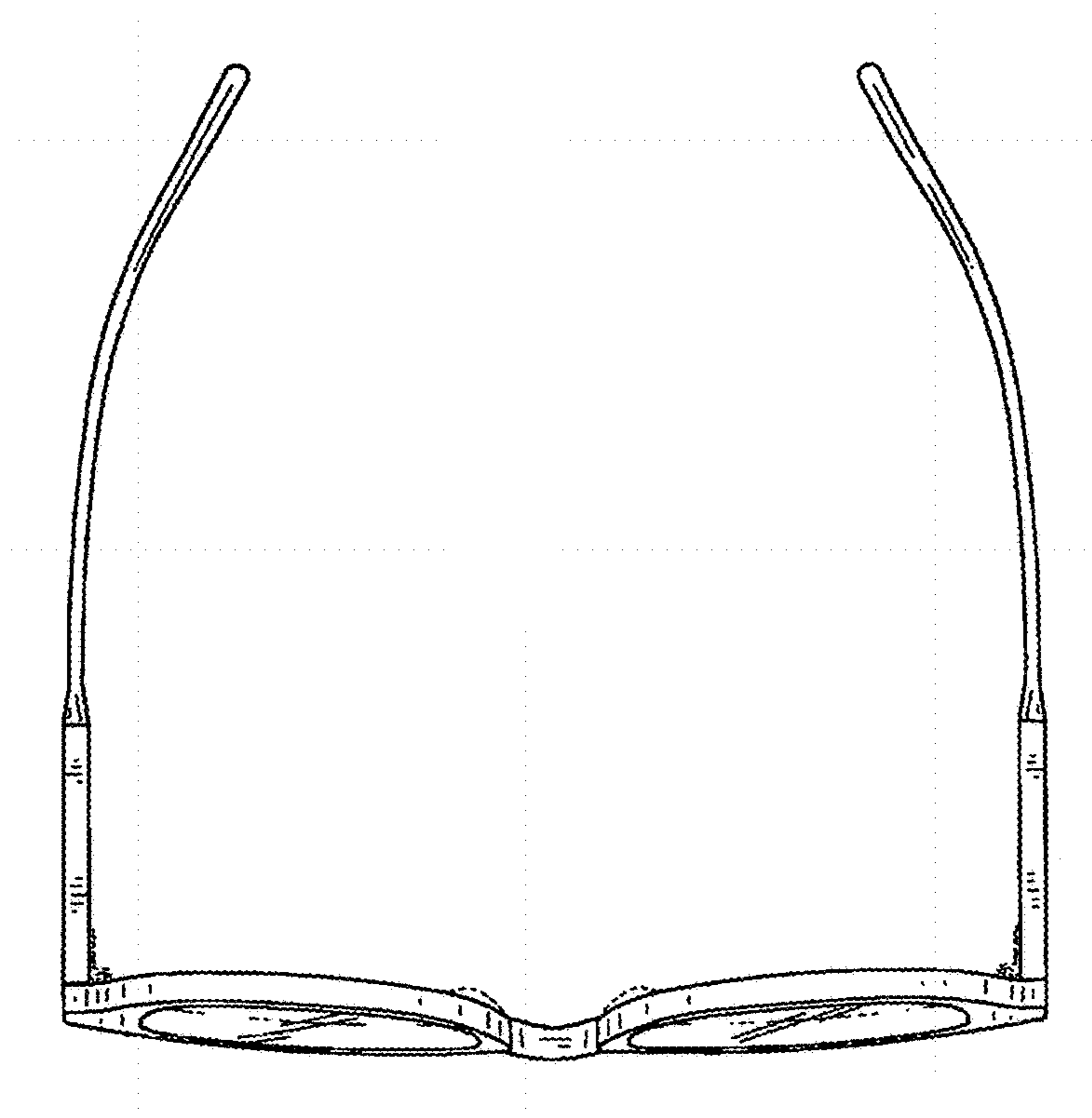


FIG. 7