



US00D803302S

(12) **United States Design Patent**  
**Park et al.**

(10) **Patent No.:** **US D803,302 S**  
(45) **Date of Patent:** **\*\* Nov. 21, 2017**

(54) **EYEWEAR**  
(71) Applicant: **Modne, Inc.**, Cerritos, CA (US)  
(72) Inventors: **Saehee Park**, Arcadia, CA (US); **Judy Chung**, Arcadia, CA (US); **Kidong Kwon**, Glendale, CA (US); **TaeHun Kim**, Irvine, CA (US)

(73) Assignee: **Modne, Inc.**, Cerritos, CA (US)

(\*\*) Term: **15 Years**

(21) Appl. No.: **29/563,279**

(22) Filed: **May 3, 2016**

(30) **Foreign Application Priority Data**

Nov. 26, 2015 (KR) ..... 30-2015-59822

(51) **LOC (10) Cl.** ..... **16-06**

(52) **U.S. Cl.**  
USPC ..... **D16/326**

(58) **Field of Classification Search**  
USPC ..... D29/109, 110; D14/372; D21/483,  
D21/659-661; 351/41, 44, 45, 46, 48,  
351/51-52, 59, 62-65, 83, 85, 92,  
351/103-123, 140, 153, 158  
CPC ... G02C 5/02; G02C 5/06; G02C 5/10; G02C  
5/006; G02C 5/14; G02C 5/20; G02C  
5/122; G02C 5/126; G02C 5/08; G02C  
1/00; G02C 1/02; G02C 1/04; G02C  
1/06; G02C 1/08

See application file for complete search history.

(56) **References Cited**

**U.S. PATENT DOCUMENTS**

1,472,014 A \* 10/1923 Clulee ..... G02C 5/00  
29/20  
1,952,890 A \* 3/1934 Poeton ..... G02C 5/16  
29/20

D125,766 S \* 3/1941 Haag ..... D16/317  
D154,672 S \* 8/1949 Fornicoia ..... D16/335  
D171,745 S \* 3/1954 Belgard ..... D16/319  
D175,135 S \* 7/1955 Stegeman ..... D16/322  
2,973,690 A \* 3/1961 Lindblom ..... G02C 5/02  
351/133  
3,033,359 A \* 5/1962 Mercer ..... G02C 7/10  
2/13  
D208,437 S \* 8/1967 Kono ..... D16/326  
3,402,005 A \* 9/1968 Liataud ..... G02C 5/00  
351/111  
3,476,466 A \* 11/1969 Hopkins ..... G02C 5/2263  
16/224

(Continued)

**OTHER PUBLICATIONS**

Glasses. (Design—© Questel). orbit.com. [online PDF] 36 pgs. Print Dates range from Jan. 30, 2013 to Apr. 5, 2017[retrieved on Apr. 25, 2017] <https://sobjprd.questel.fr/export/QPTUJ214/pdf2/63b12f9d-4456-437c-9979-4a416d6b6186-221339.pdf>.\*

*Primary Examiner* — Susan Bennett Hattan  
*Assistant Examiner* — Marie D. Fast Horse  
(74) *Attorney, Agent, or Firm* — Stradling Yocca Carlson & Rauth

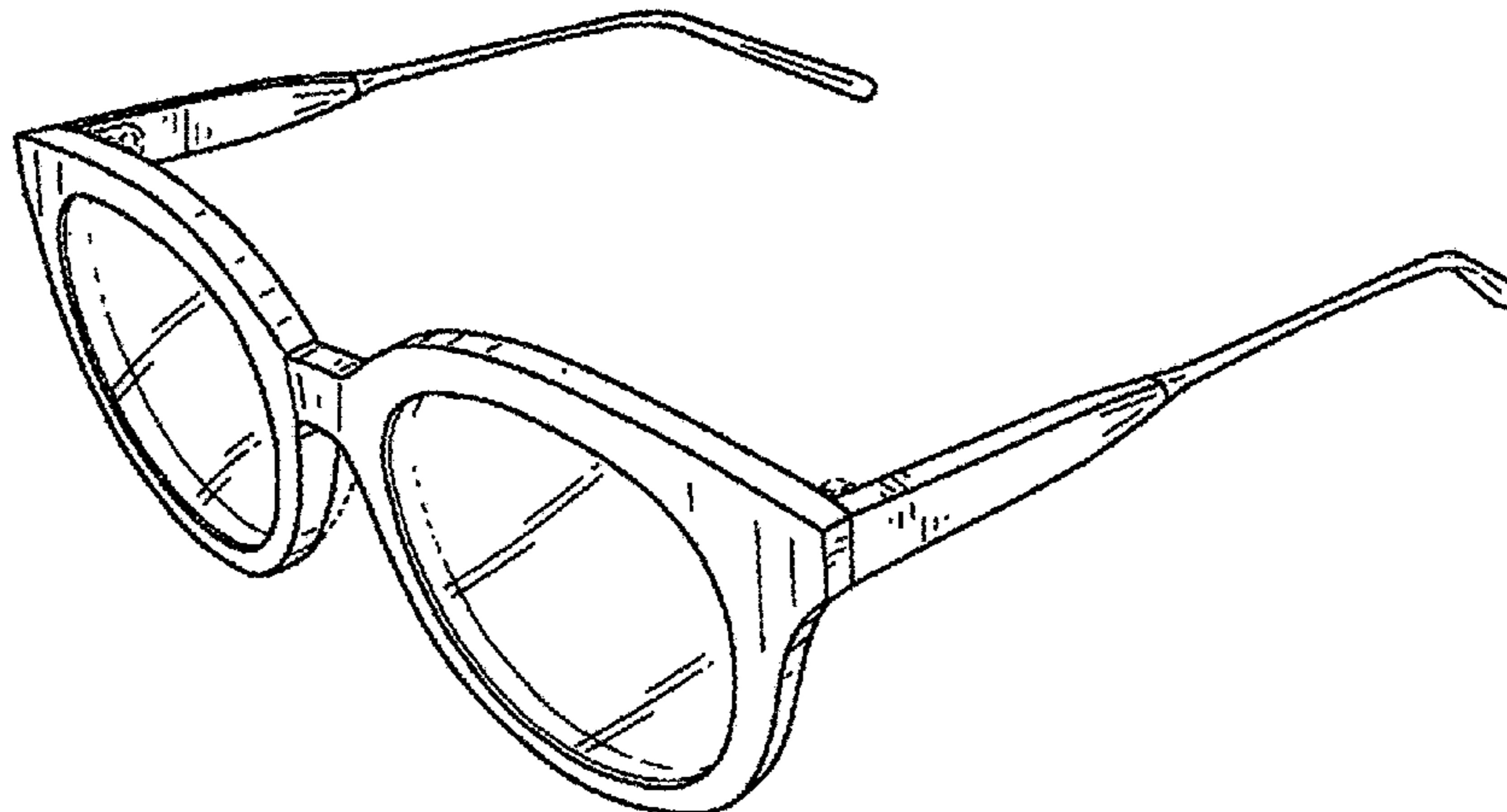
(57) **CLAIM**

The ornamental design for the eyewear, as shown and described.

**DESCRIPTION**

FIG. 1 is an isometric view of the front of eyewear; FIG. 2 is a front view of the eyewear; FIG. 3 is a back view of the eyewear; FIG. 4 is a right side view of the eyewear; FIG. 5 is a left side view of the eyewear; FIG. 6 is a top view of the eyewear; and, FIG. 7 is a bottom view of the eyewear. The broken lines in the drawings represent portions of the eyewear that form no part of the claimed design.

**1 Claim, 5 Drawing Sheets**



(56)

References Cited

U.S. PATENT DOCUMENTS

3,476,468 A \* 11/1969 Fortenberry ..... G02C 5/126  
 351/130  
 3,479,110 A \* 11/1969 Fromm ..... G02C 3/003  
 351/113  
 3,544,204 A \* 12/1970 Bienenfeld ..... G02C 5/20  
 2/448  
 3,545,848 A \* 12/1970 Sebastian ..... G02C 5/20  
 16/429  
 3,649,107 A \* 3/1972 Hoffmaster ..... G02C 5/20  
 16/429  
 3,666,355 A \* 5/1972 Griffith ..... G02C 5/20  
 351/111  
 3,854,801 A \* 12/1974 Hoke ..... G02C 5/20  
 351/113  
 4,196,982 A \* 4/1980 Watkins ..... G02C 1/06  
 2/443  
 4,272,166 A \* 6/1981 Bononi ..... G02C 5/143  
 351/111  
 4,665,598 A \* 5/1987 Murai ..... B44F 1/063  
 29/20  
 D330,395 S \* 10/1992 Simioni ..... D16/319  
 D368,924 S \* 4/1996 Jones ..... D16/335  
 D384,092 S \* 9/1997 Hall ..... D16/335  
 D412,179 S \* 7/1999 Hall ..... D16/334  
 D622,304 S 8/2010 Baden et al.

D655,741 S 3/2012 Yee  
 D702,757 S 4/2014 Thixton et al.  
 D709,122 S \* 7/2014 Markovitz ..... D16/326  
 D718,371 S \* 11/2014 Morton ..... D16/326  
 D724,649 S 3/2015 Shin  
 D735,797 S \* 8/2015 Aquino ..... D16/309  
 D737,885 S \* 9/2015 Markovitz ..... D16/326  
 D737,888 S \* 9/2015 Markovitz ..... D16/326  
 D748,188 S \* 1/2016 Shin ..... D16/326  
 D749,582 S \* 2/2016 Olsson ..... D14/372  
 9,268,156 B1 \* 2/2016 Vecchiarelli ..... G02C 5/008  
 D767,013 S \* 9/2016 Hsu ..... D16/315  
 D769,356 S \* 10/2016 Markovitz ..... D16/326  
 D769,361 S \* 10/2016 Markovitz ..... D16/326  
 D770,559 S \* 11/2016 Shin ..... D16/326  
 D771,735 S \* 11/2016 Lee ..... D16/309  
 D772,328 S \* 11/2016 Kaufer ..... D16/315  
 D772,330 S \* 11/2016 Hsu ..... D16/326  
 D776,750 S \* 1/2017 Kavosi ..... D16/323  
 D776,751 S \* 1/2017 Cazalet ..... D16/300  
 D780,828 S \* 3/2017 Bonaventura ..... D16/326  
 D780,829 S \* 3/2017 Bonaventura ..... D16/326  
 D780,830 S \* 3/2017 Bonaventura ..... D16/326  
 2003/0022690 A1 \* 1/2003 Beyda ..... H04M 1/05  
 455/556.1  
 2014/0063436 A1 \* 3/2014 Bretl ..... G02C 5/02  
 351/51  
 2016/0306188 A1 \* 10/2016 Head ..... G02C 3/04

\* cited by examiner

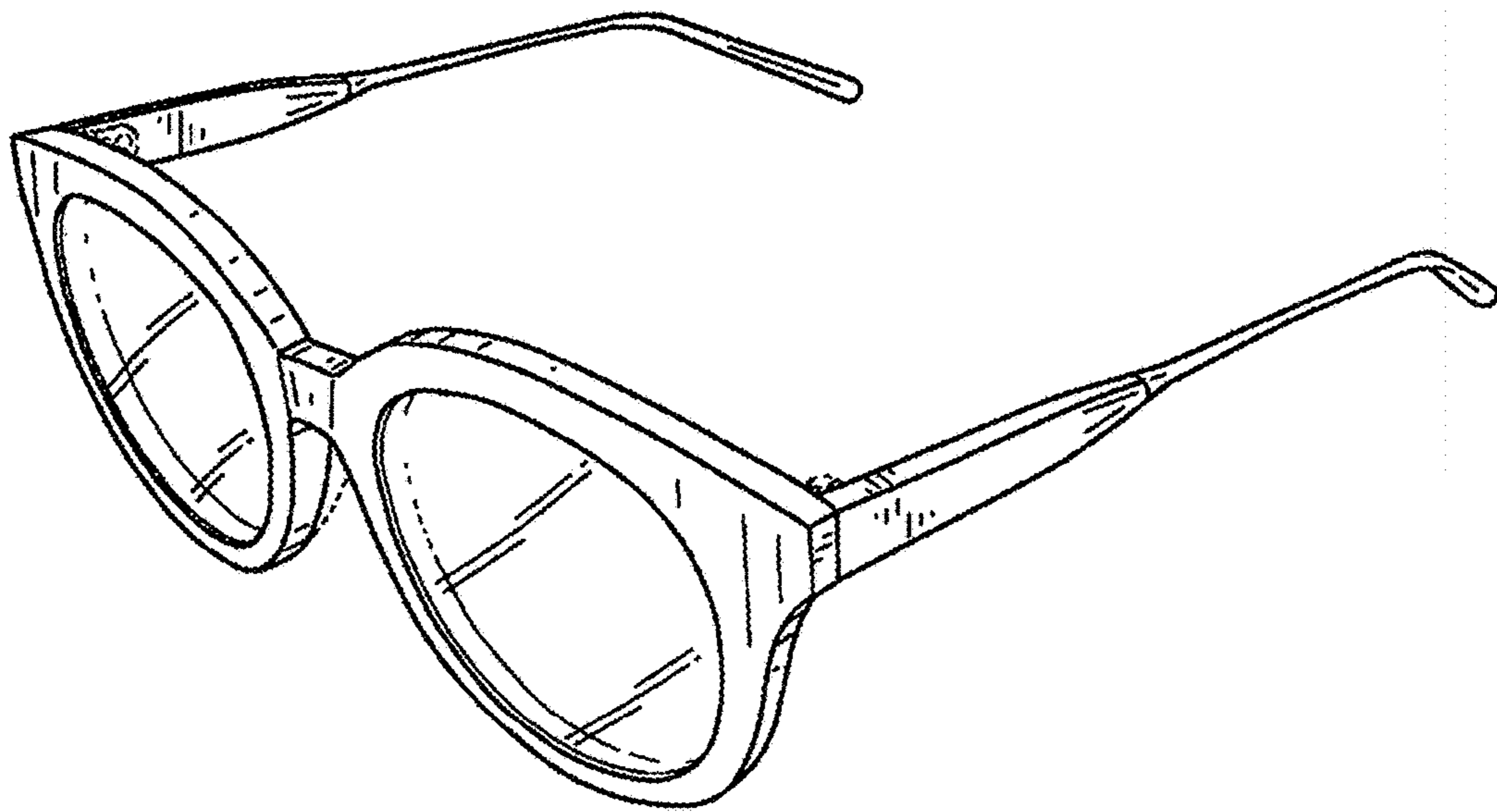


FIG. 1

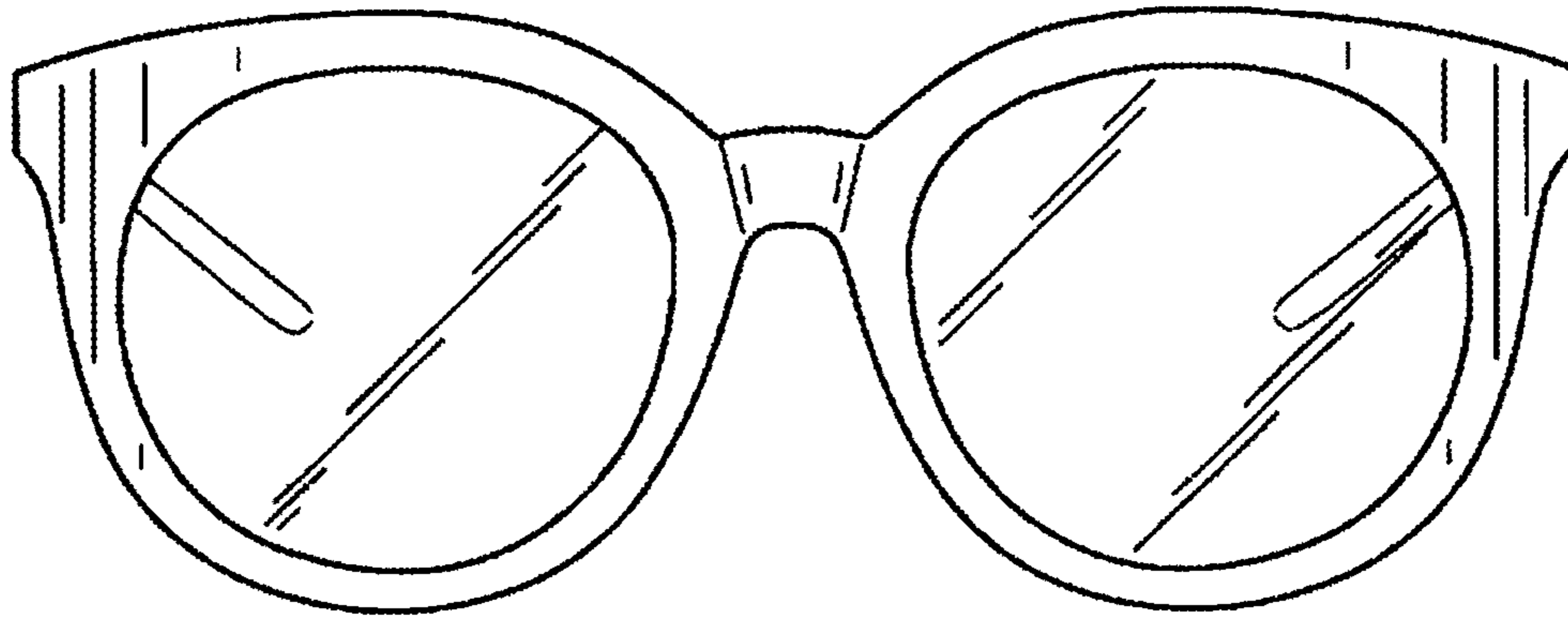


FIG. 2

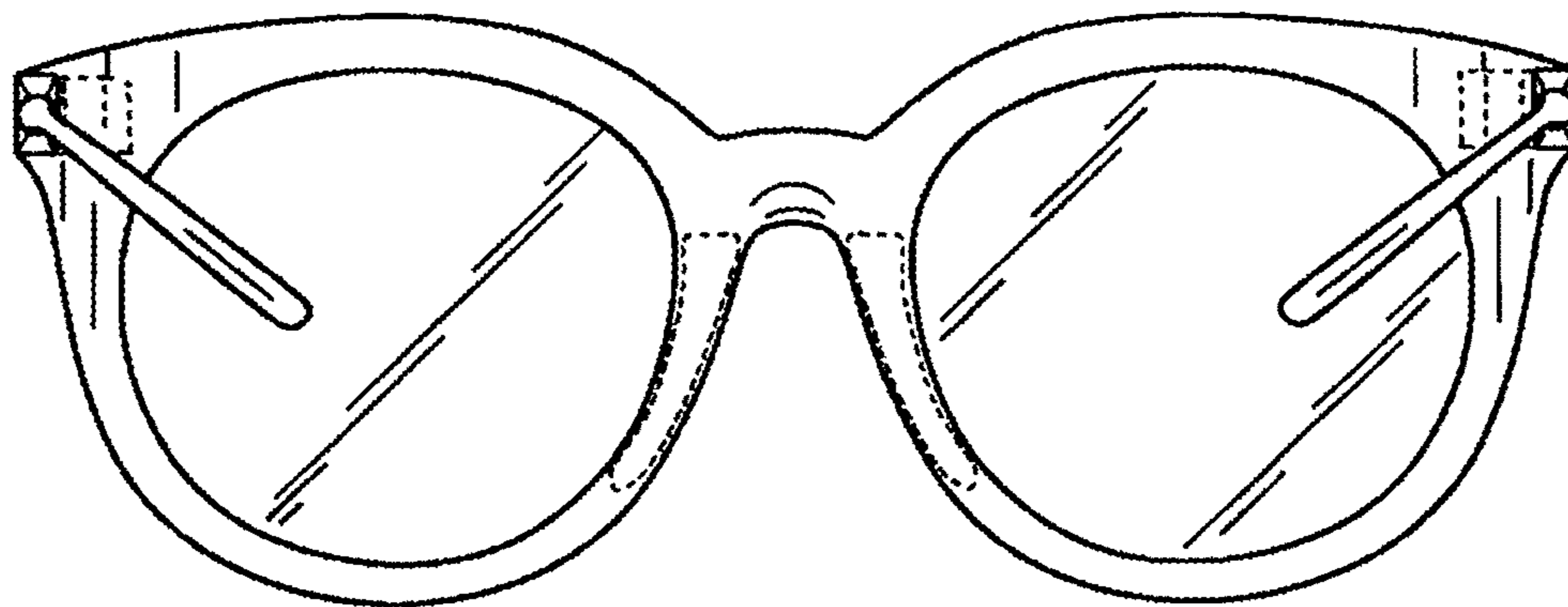


FIG. 3

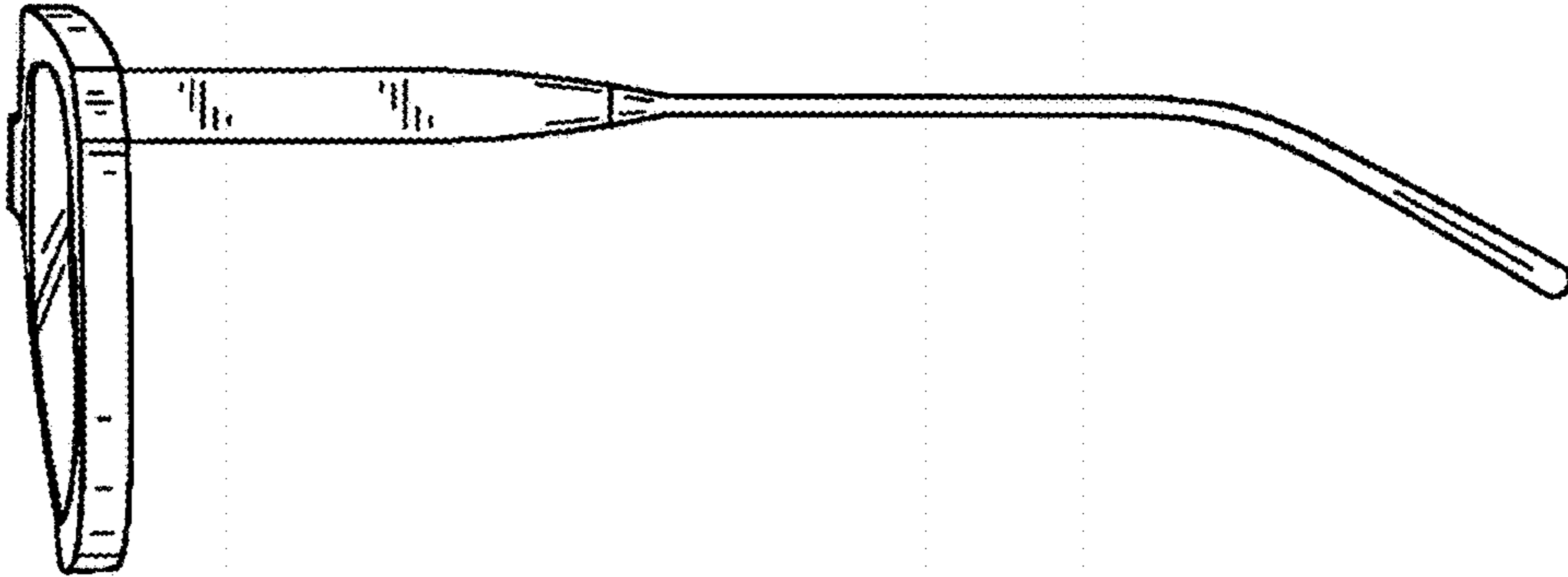


FIG. 4

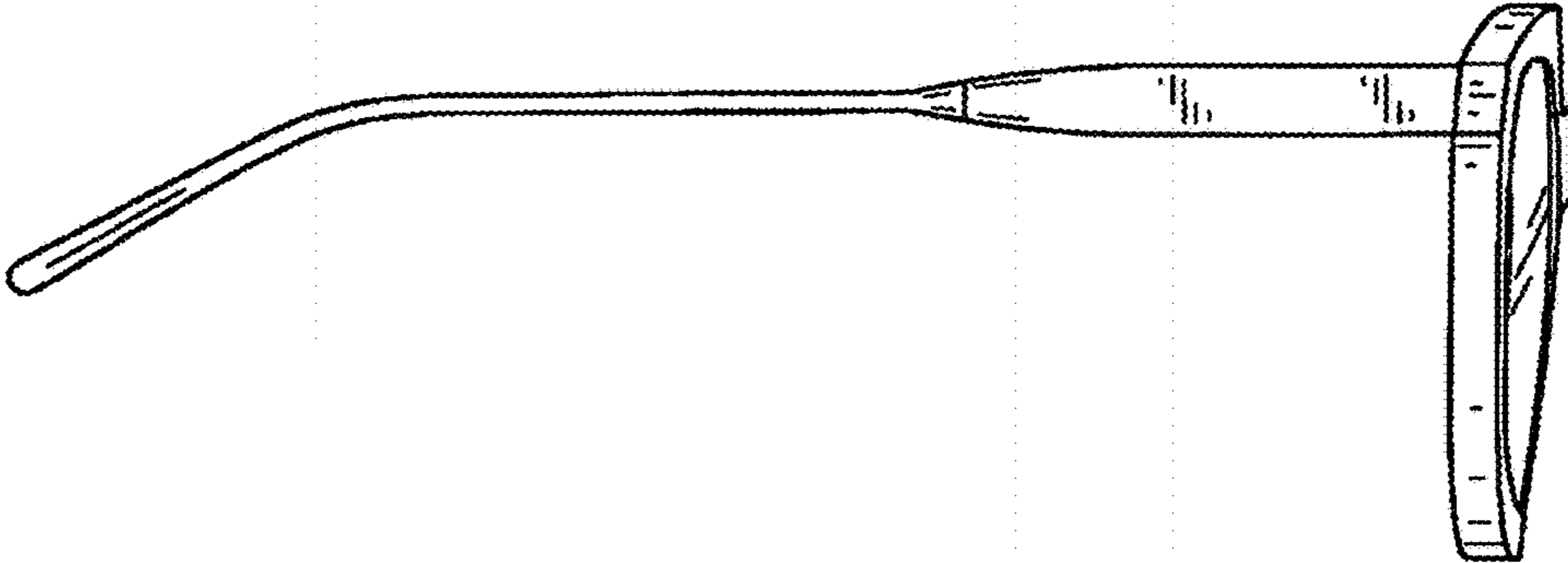


FIG. 5

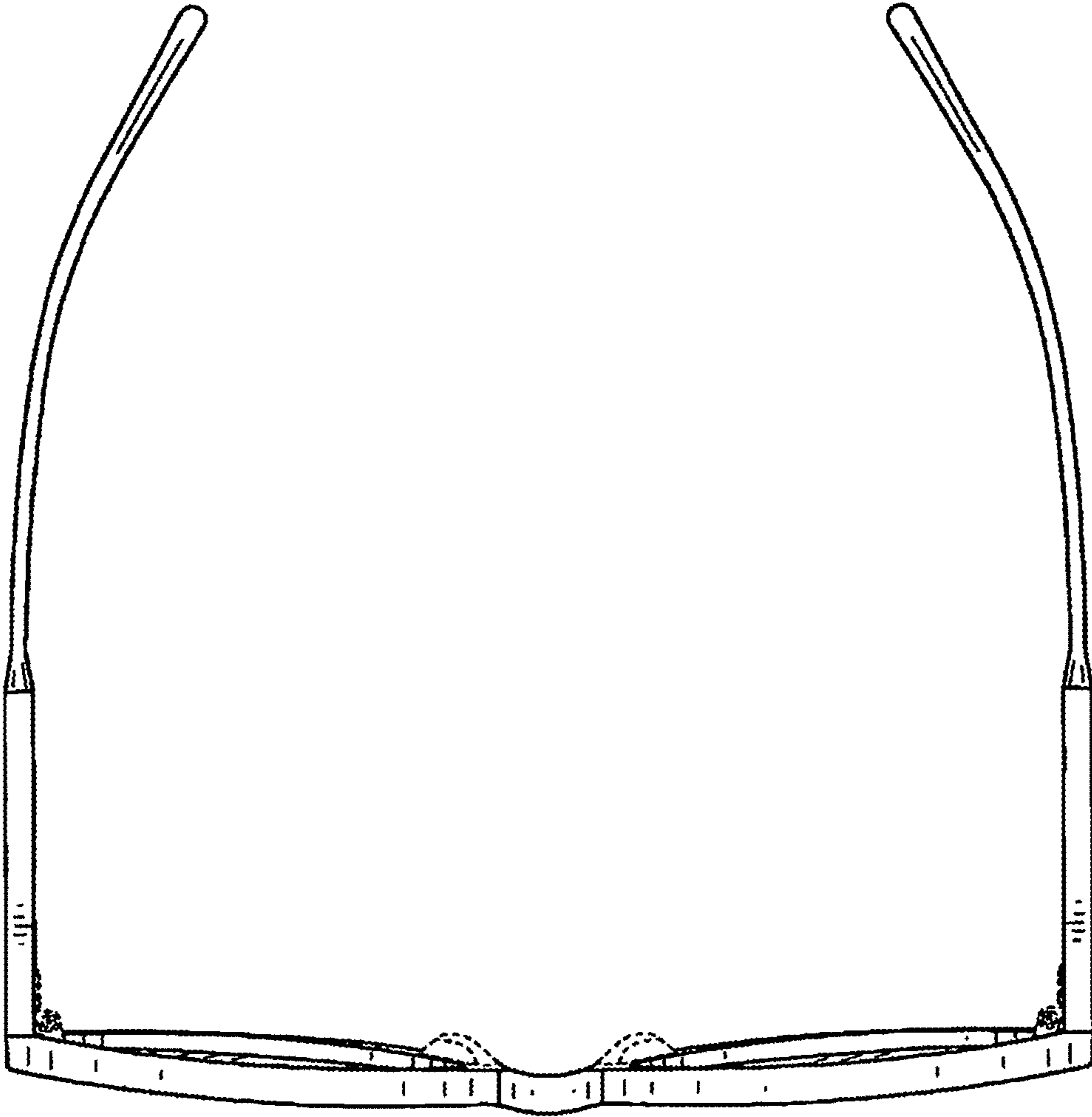


FIG. 6

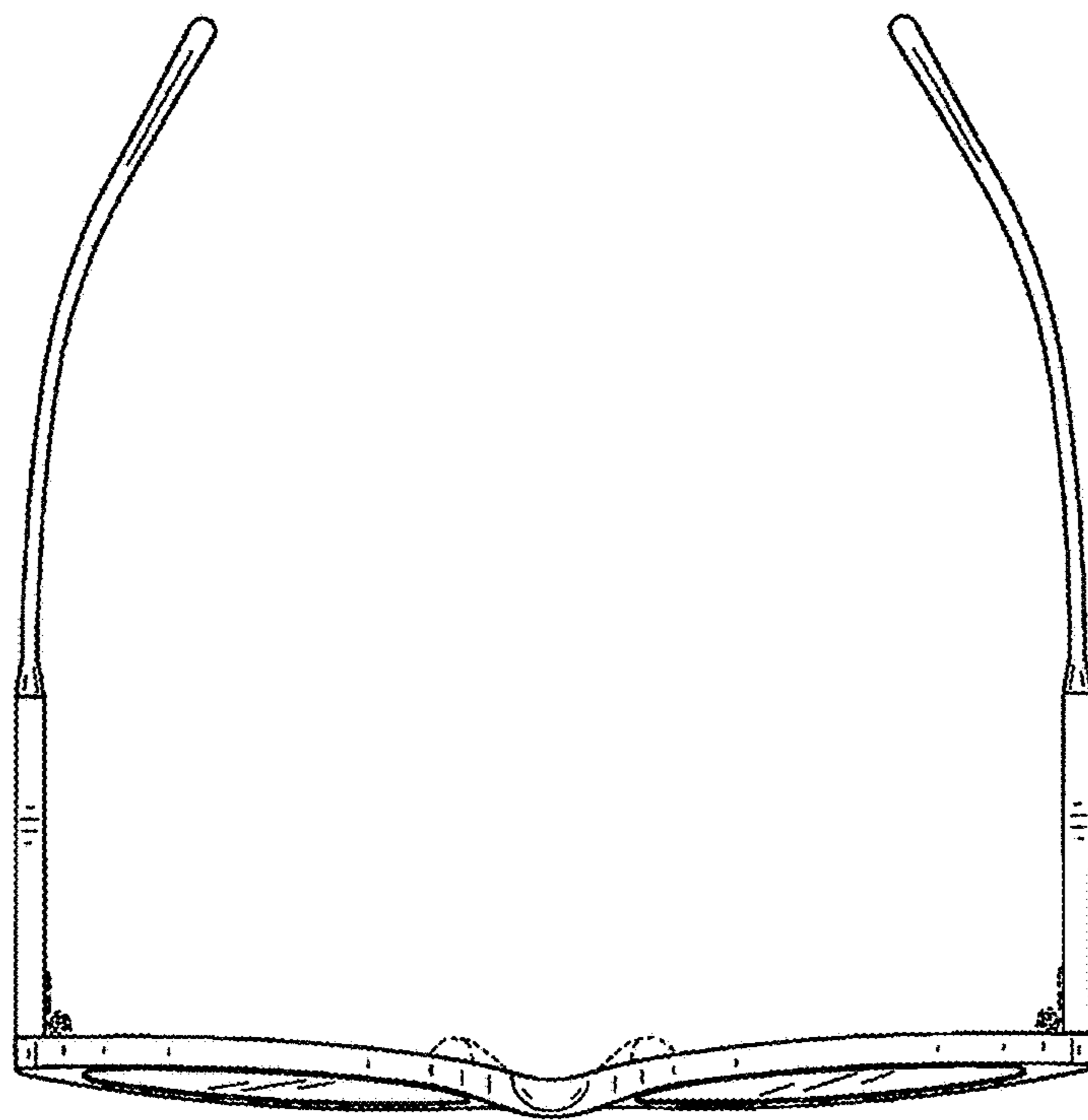


FIG. 7