



US00D803294S

(12) **United States Design Patent** (10) **Patent No.:** **US D803,294 S**
Peabody et al. (45) **Date of Patent:** **** Nov. 21, 2017**

(54) **CAMERA MOUNT FOR A VEHICLE**

(71) Applicant: **TASER International, Inc.**, Scottsdale, AZ (US)

(72) Inventors: **Anne F. Peabody**, Scottsdale, AZ (US); **David I. Anderson**, Mesa, AZ (US); **Christopher M. Buttenob**, Scottsdale, AZ (US); **John W. Wilson**, Scottsdale, AZ (US)

(73) Assignee: **TASER INTERNATIONAL, INC.**, Scottsdale, AZ (US)

(**) Term: **15 Years**

(21) Appl. No.: **29/565,513**

(22) Filed: **May 20, 2016**

Related U.S. Application Data

(63) Continuation of application No. 29/542,510, filed on Oct. 14, 2015.

(51) **LOC (10) Cl.** **16-05**

(52) **U.S. Cl.**
USPC **D16/242**

(58) **Field of Classification Search**
USPC D16/237, 242-245, 200-220, 239-240;
D14/451, 452, 434, 253, 239, 447, 238,
D14/209.1

(Continued)

(56) **References Cited**

U.S. PATENT DOCUMENTS

D388,107 S * 12/1997 Huckins D16/208
D640,305 S * 6/2011 Hashiguchi D16/242

(Continued)

OTHER PUBLICATIONS

U.S. Appl. No. 29/542,510, filed Oct. 14, 2015.
U.S. Appl. No. 29/565,515, filed May 20, 2016.

Primary Examiner — Susan Bennett Hattan

Assistant Examiner — Brett Miller

(74) *Attorney, Agent, or Firm* — Lawrence Letham; Mitch Chase

(57) **CLAIM**

The ornamental design for a camera mount for a vehicle, as shown and described.

DESCRIPTION

FIG. 1 is a rear view of the camera mount for a vehicle; FIG. 2 is a left side view of the camera mount for a vehicle; FIG. 3 is a front view of the camera mount for a vehicle; FIG. 4 is a right side view of the camera mount for a vehicle; FIG. 5 is a perspective view of the camera mount for a vehicle in which the camera mount for a vehicle is positioned with the left, rear, and top of the camera mount for a vehicle visible;

FIG. 6 is a perspective view of the camera mount for a vehicle in which the camera mount for a vehicle is positioned with the left, rear, and bottom of the camera mount for a vehicle visible;

FIG. 7 is a perspective view of the camera mount for a vehicle in which the camera mount for a vehicle is positioned with the right, front, and top of the camera mount for a vehicle visible;

FIG. 8 is a perspective view of the camera mount for a vehicle in which the camera mount for a vehicle is positioned with the right, front, and bottom of the camera mount for a vehicle visible;

FIG. 9 is a perspective view of the camera mount for a vehicle and the camera in which the camera mount for a vehicle is coupled to the camera with left, rear, and bottom of the camera mount for a vehicle and camera visible;

FIG. 10 is a perspective view of the camera mount for a vehicle and camera in which the camera mount for a vehicle is coupled to the camera with right, front, and bottom of the camera mount for a vehicle and camera visible;

FIG. 11 is a top view of the camera mount for a vehicle and camera in which the camera mount for a vehicle is coupled to the camera;

(Continued)

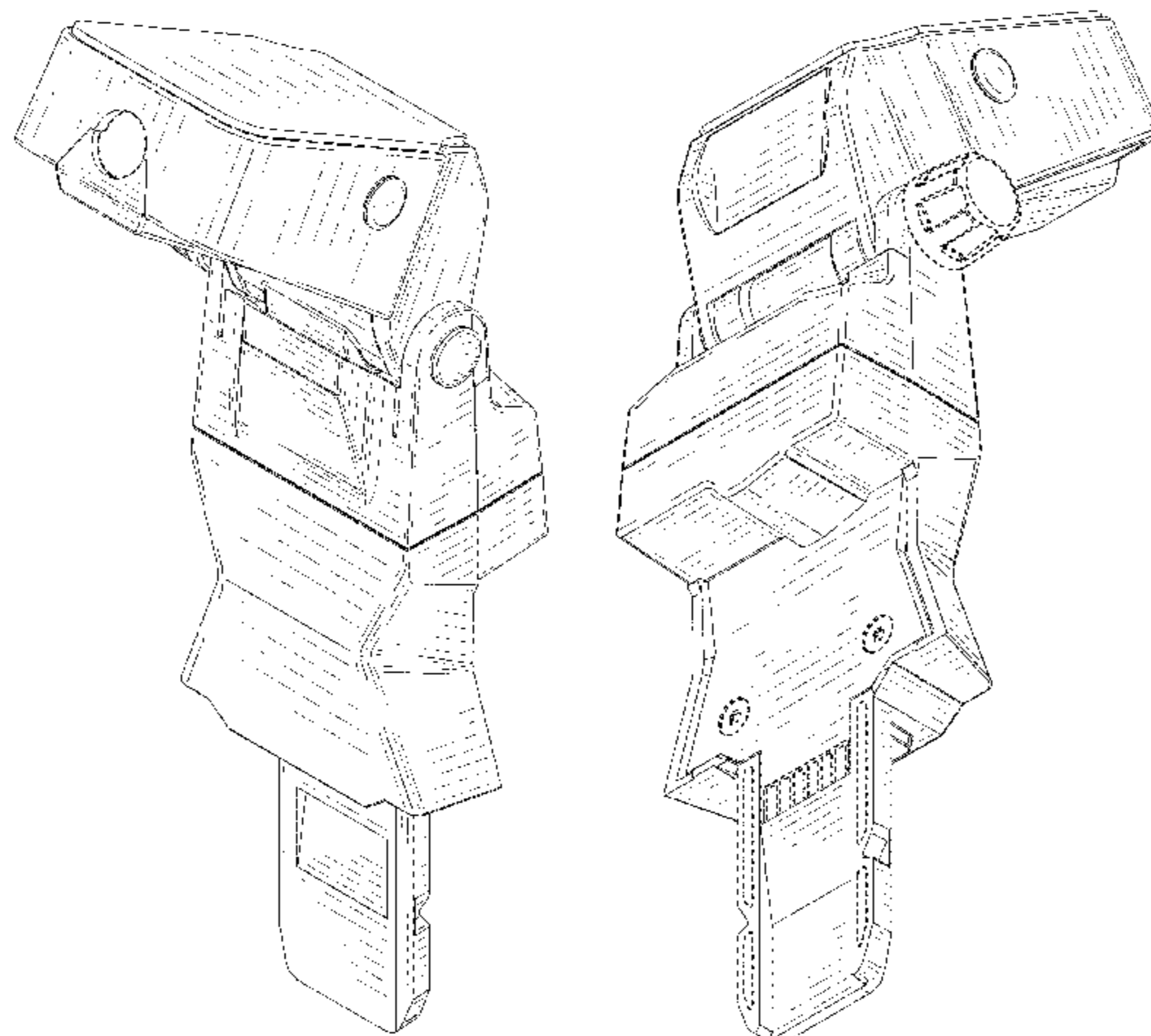


FIG. 12 is a bottom view of the camera mount for a vehicle and camera in which the camera mount for a vehicle is coupled to the camera; and,

FIG. 13 is a perspective view of the camera mount for a vehicle and camera in which the camera mount for a vehicle is coupled to the camera and a top portion of the camera mount for a vehicle is coupled a windshield of a vehicle with front, right and top of the camera mount for a vehicle and camera visible through the windshield.

The dashed lines in the drawing show environment structure and form no part of the claimed design.

1 Claim, 12 Drawing Sheets

(58) Field of Classification Search

CPC F16M 13/00; B60R 11/04; B60R 11/0026;
G03B 17/56; G03B 17/561; G03B 17/566

See application file for complete search history.

(56) References Cited

U.S. PATENT DOCUMENTS

D721,123 S *	1/2015	Rivkin	D16/242
8,960,623 B2 *	2/2015	Woolford	F16M 13/00
			224/545
D744,473 S *	12/2015	Tsai	D16/242
D750,612 S *	3/2016	Chen	D14/447
2012/0174382 A1 *	7/2012	Dering	F16M 13/00
			29/525.01
2016/0119514 A1 *	4/2016	Sugimura	G03B 17/561
			348/148

* cited by examiner

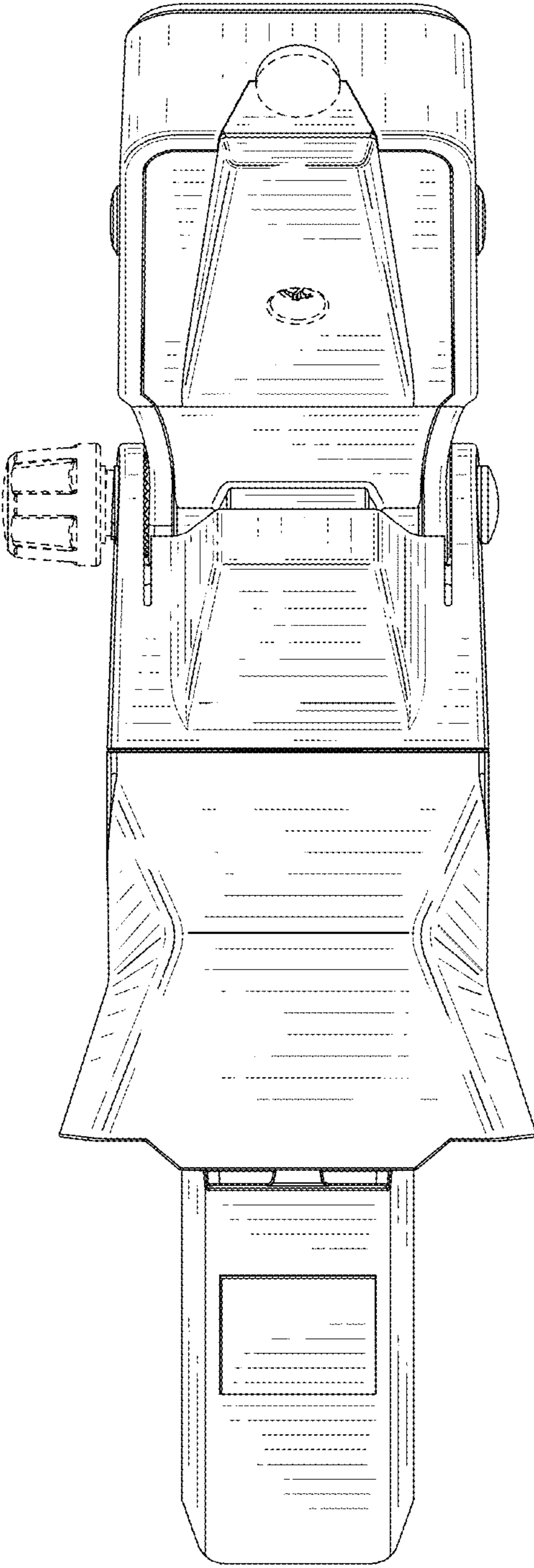


FIG. 1

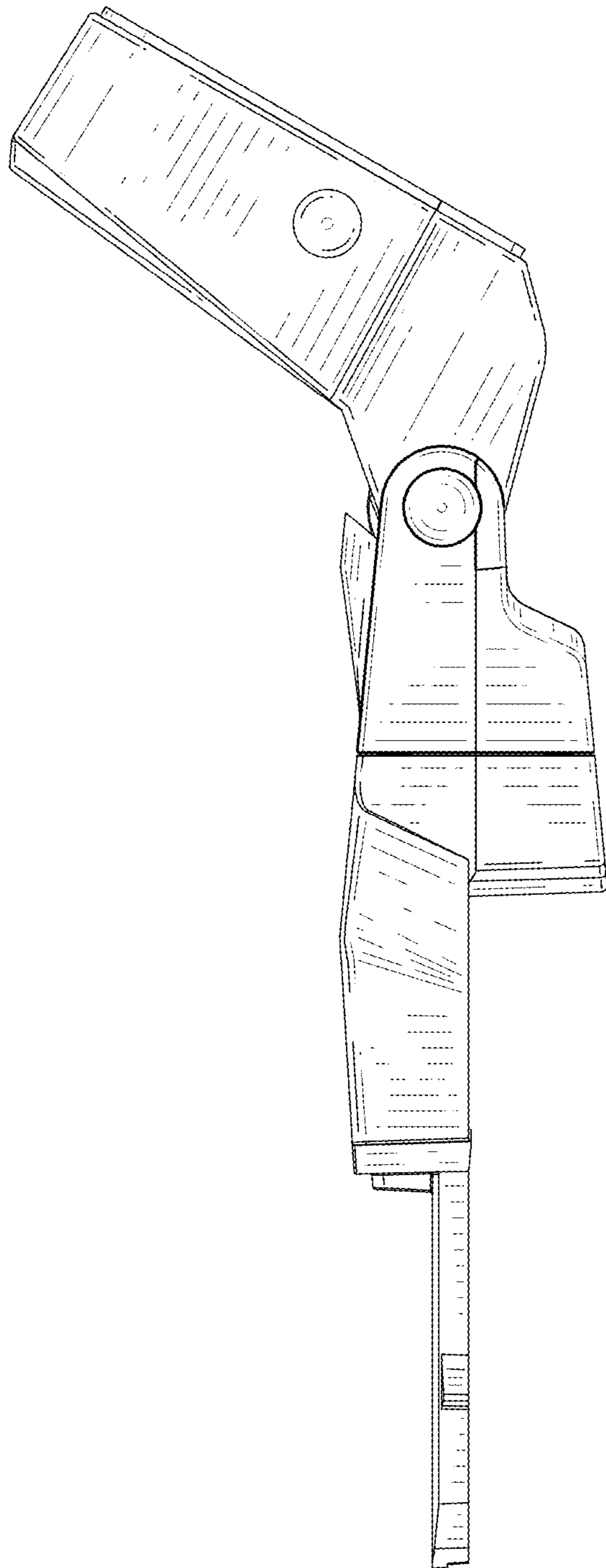


FIG. 2

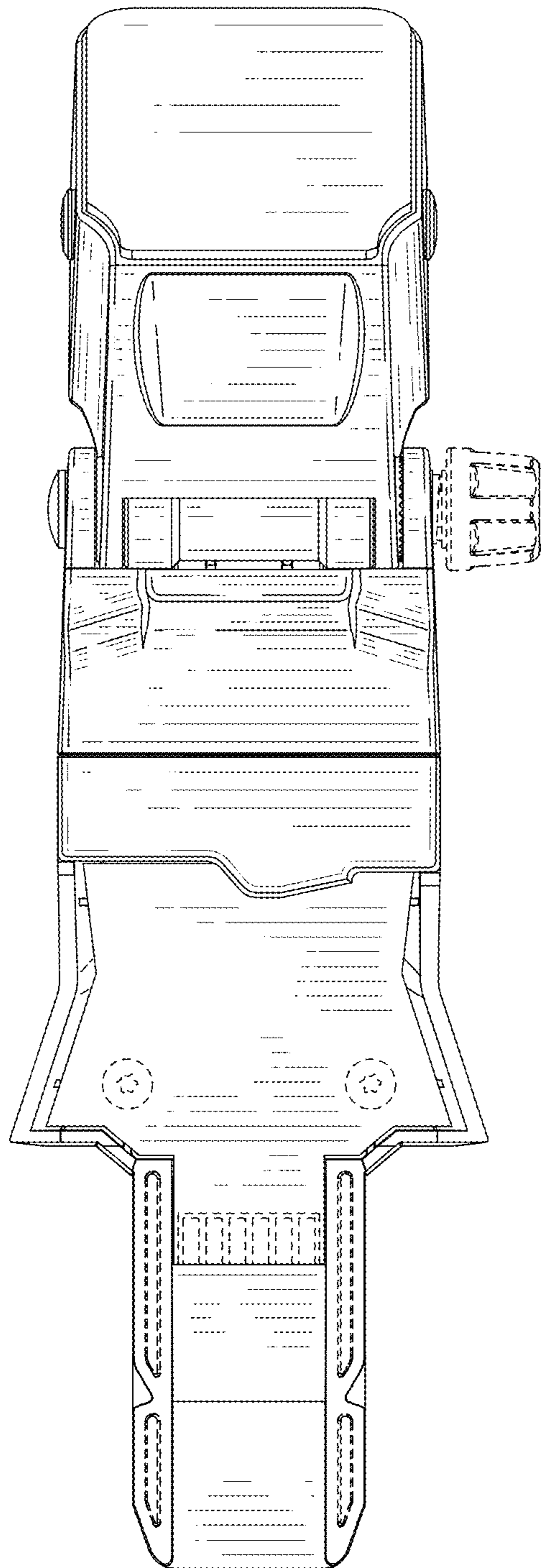


FIG. 3

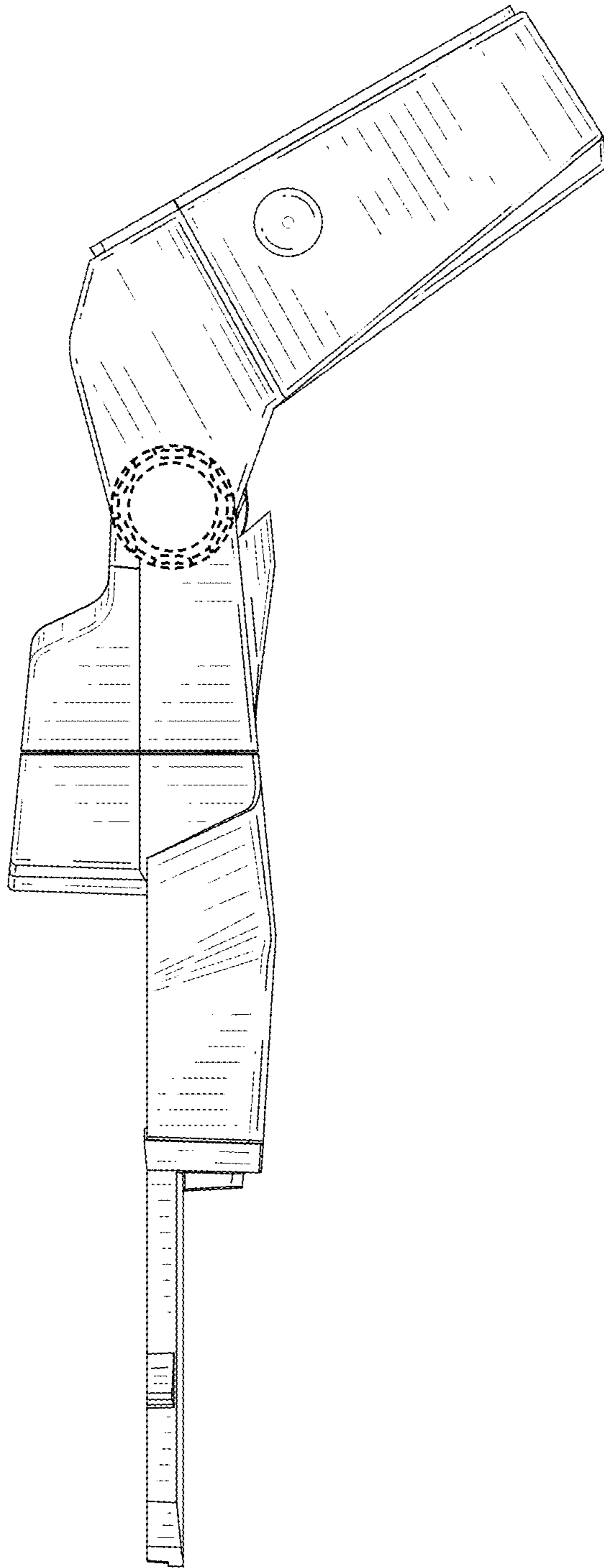


FIG. 4

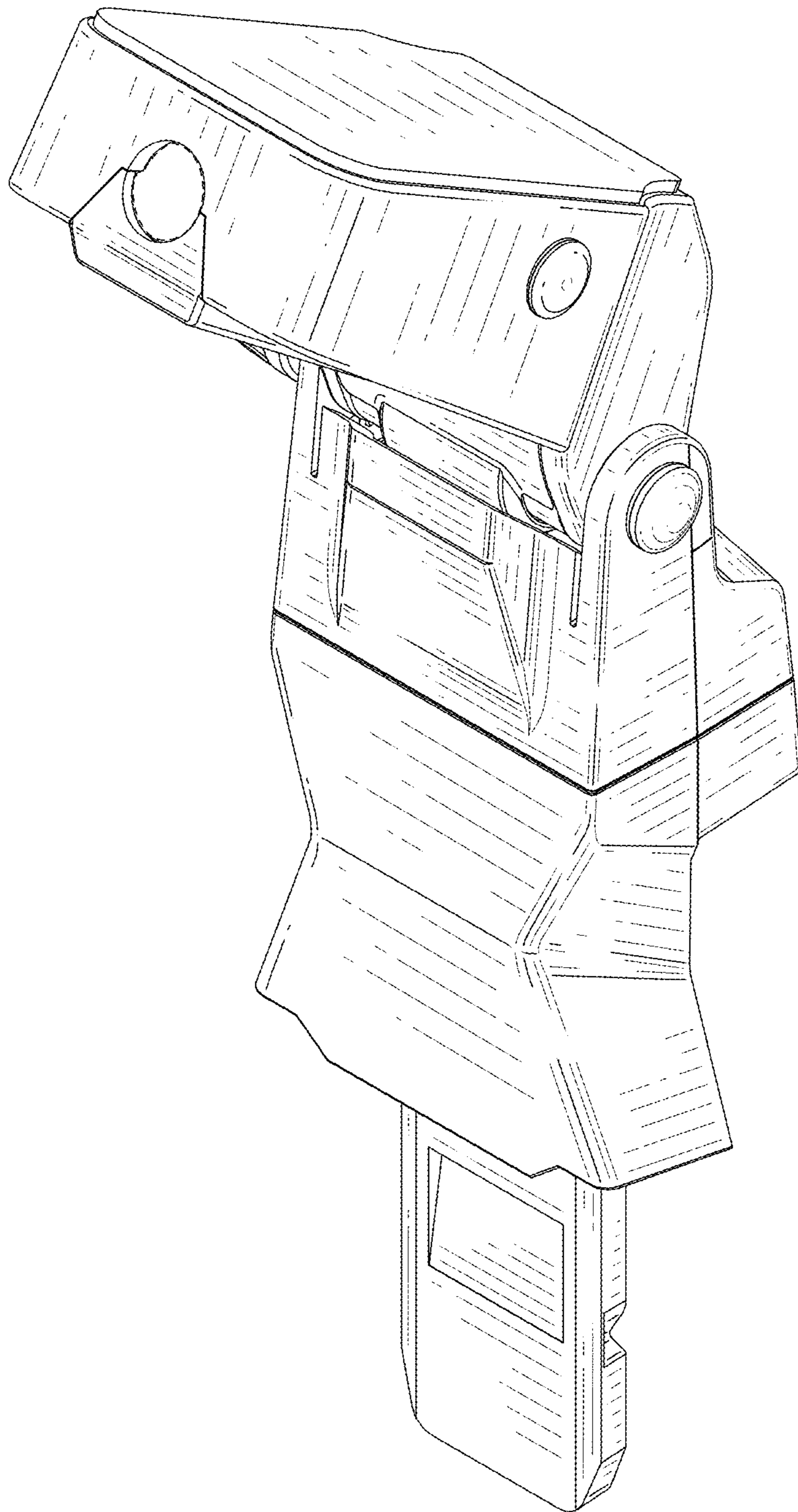


FIG. 5

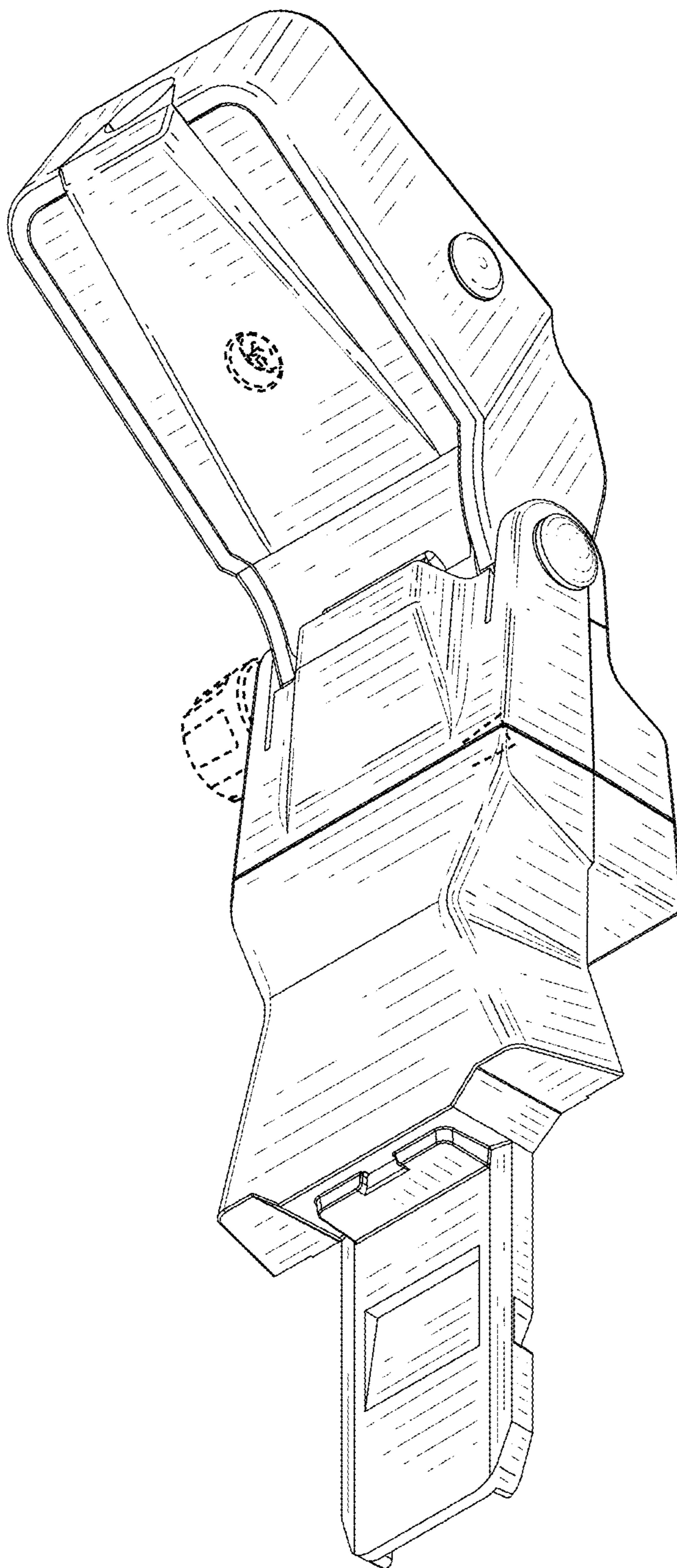


FIG. 6

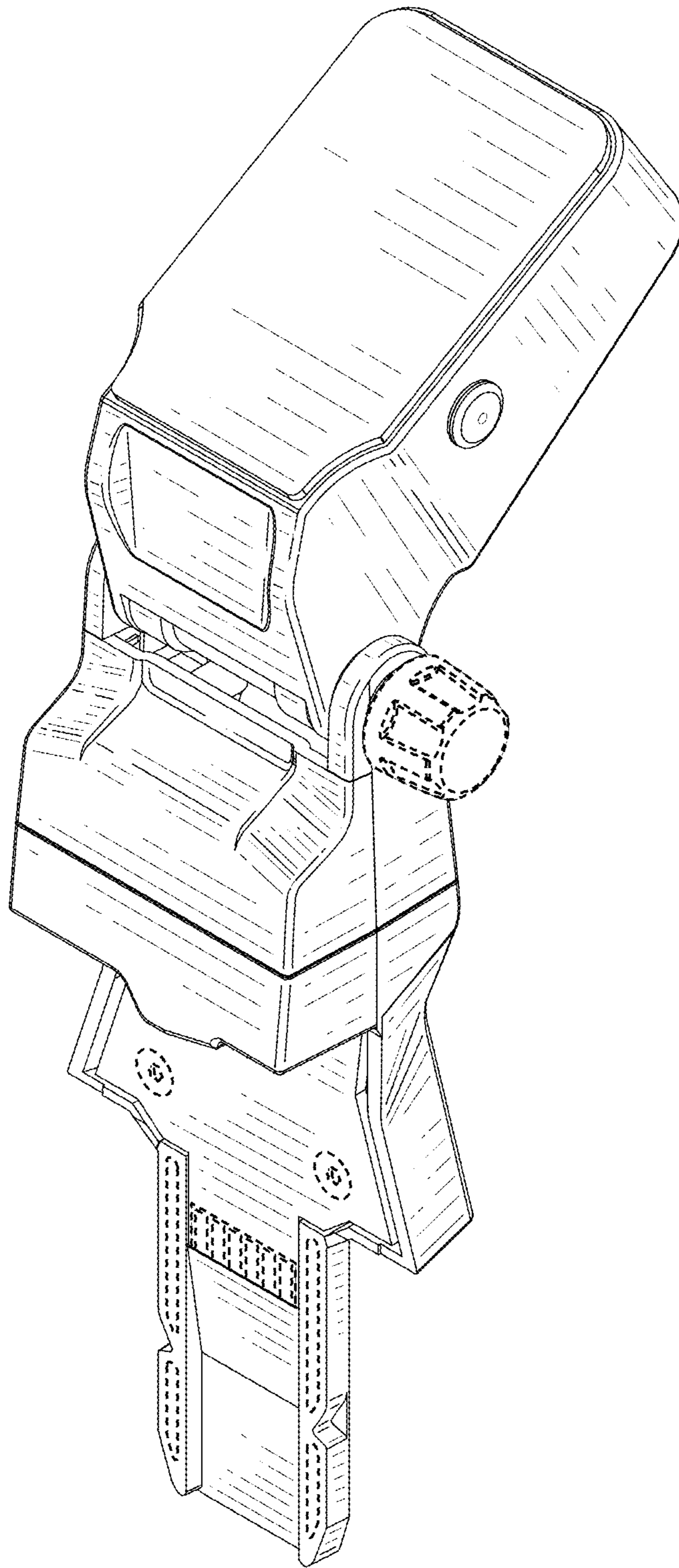


FIG. 7

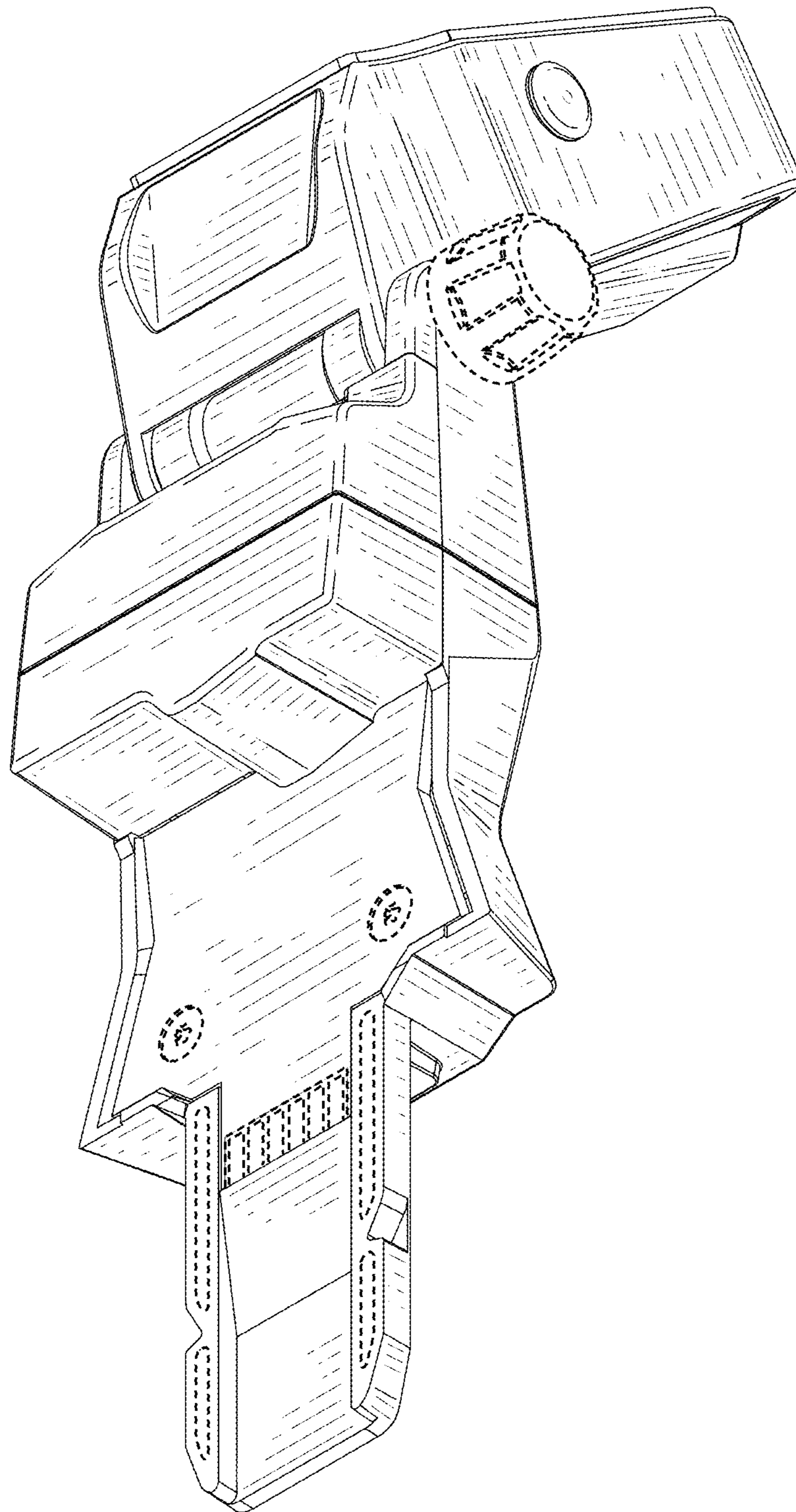


FIG. 8

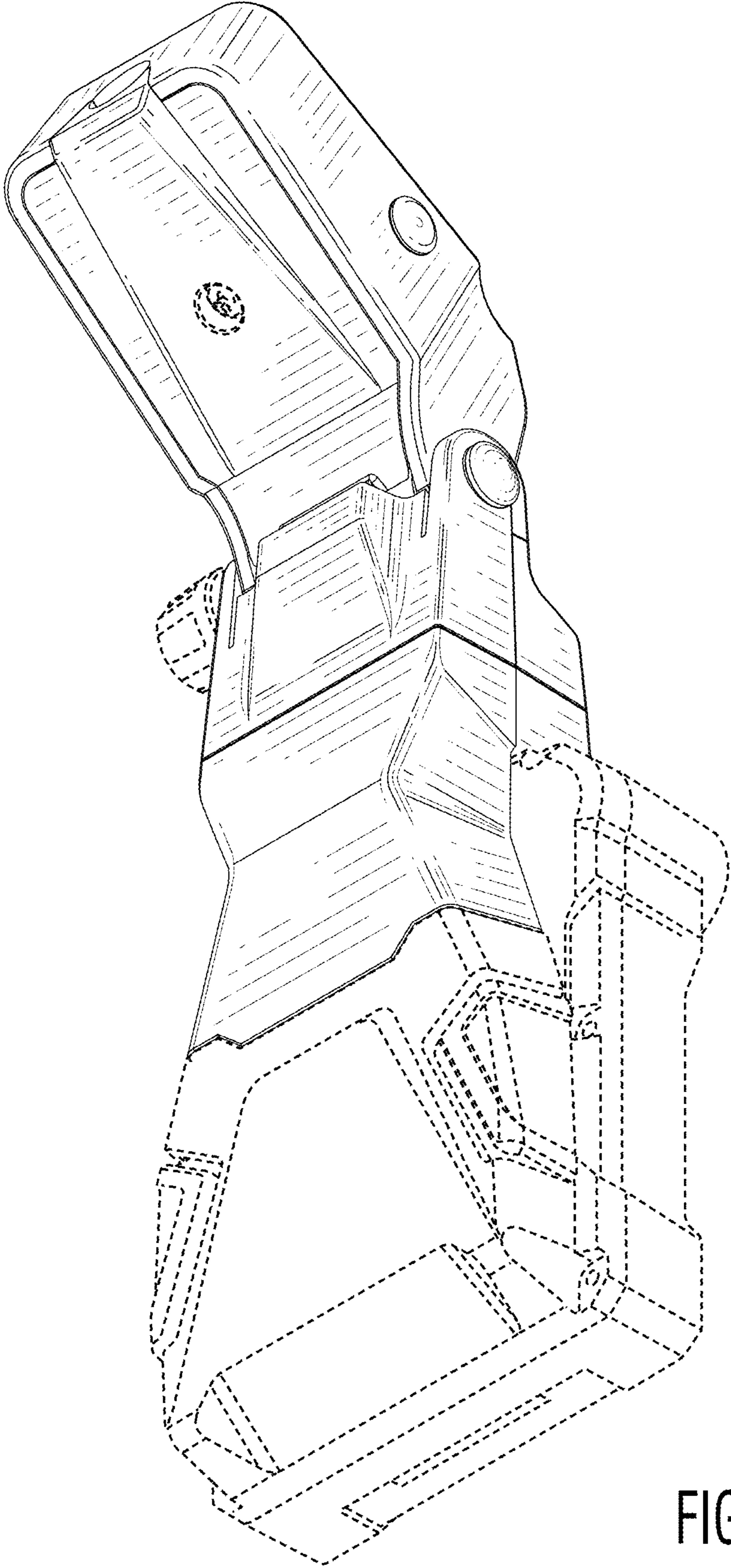


FIG. 9

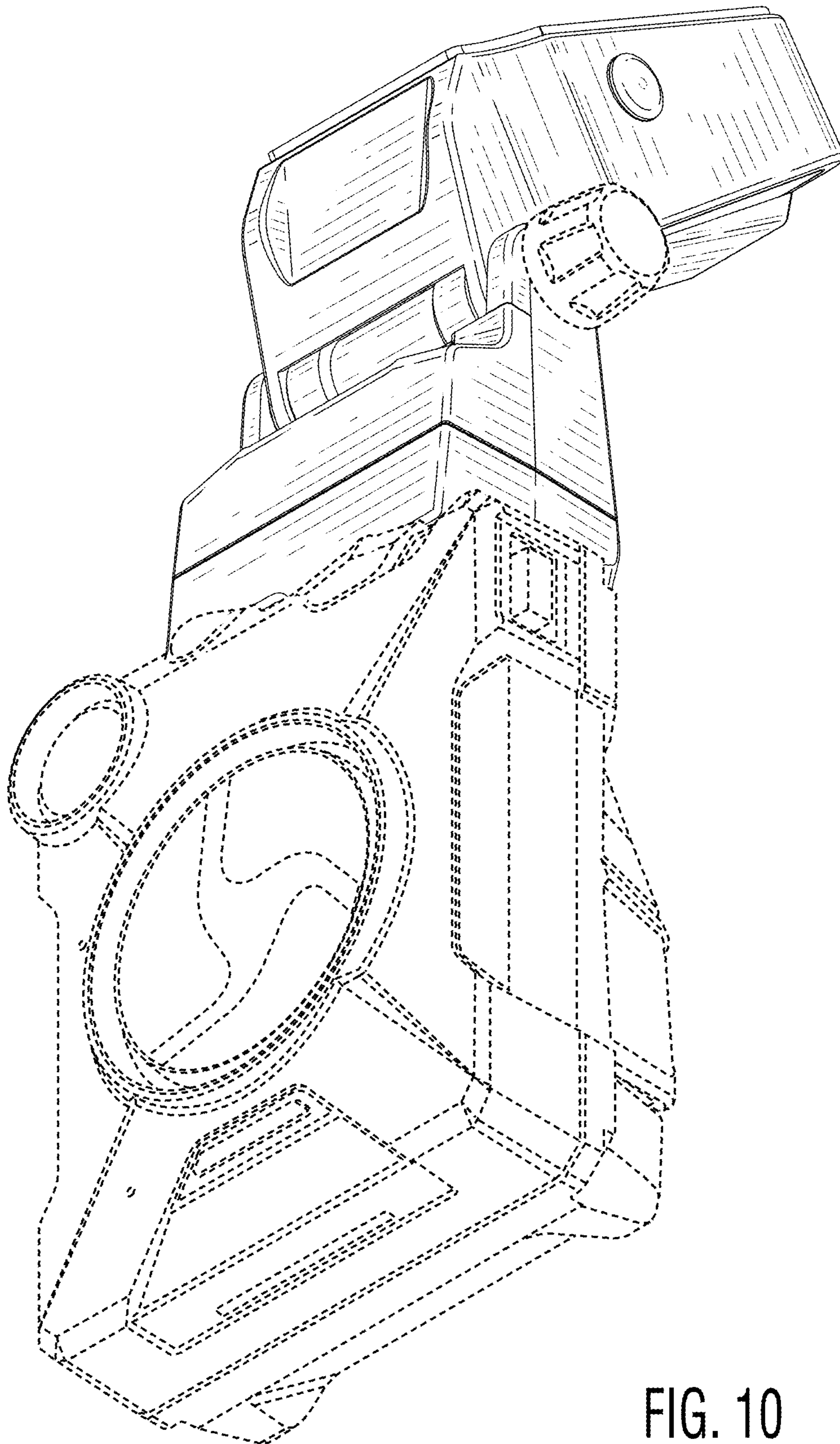


FIG. 10

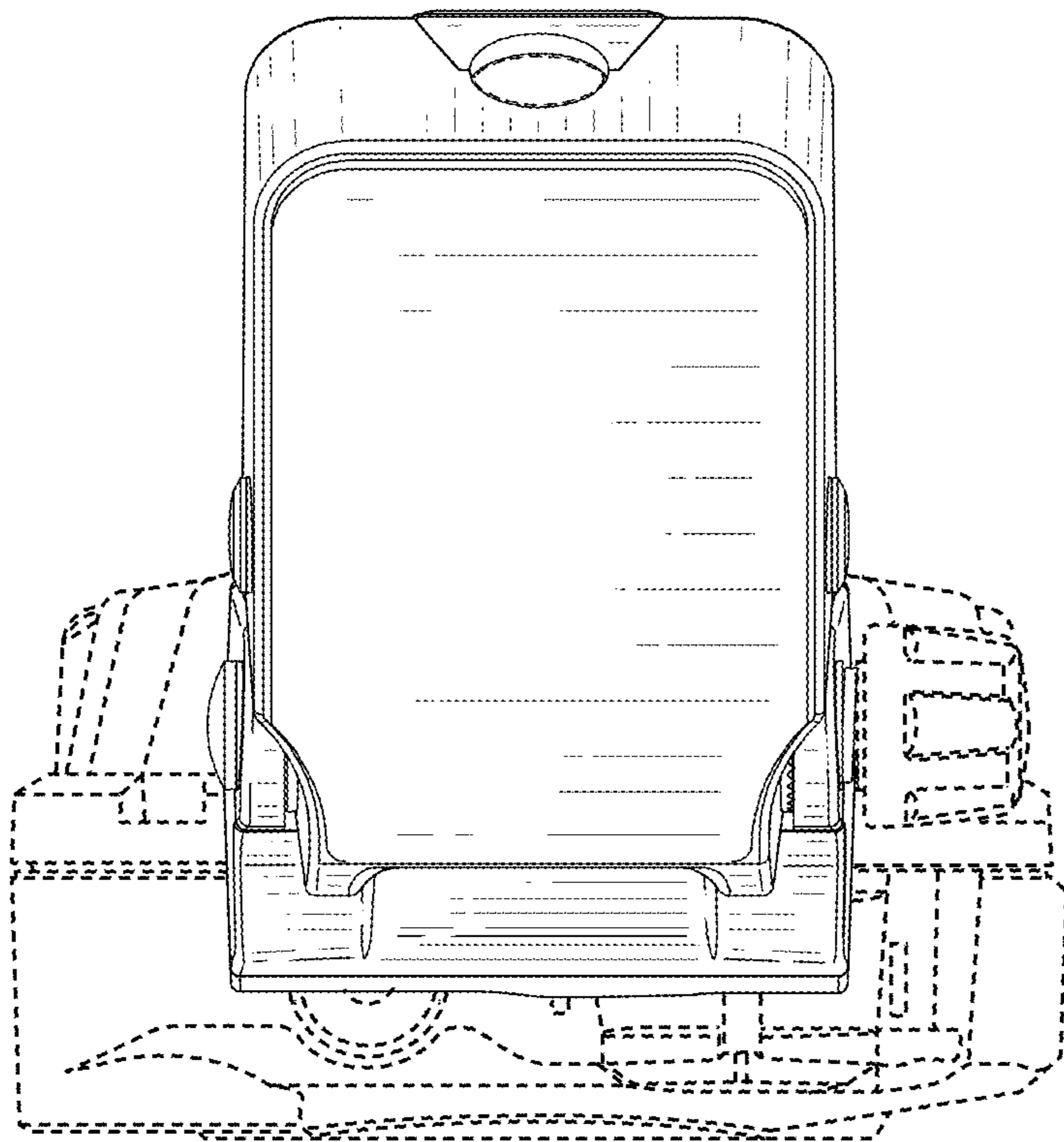


FIG. 11



FIG. 12

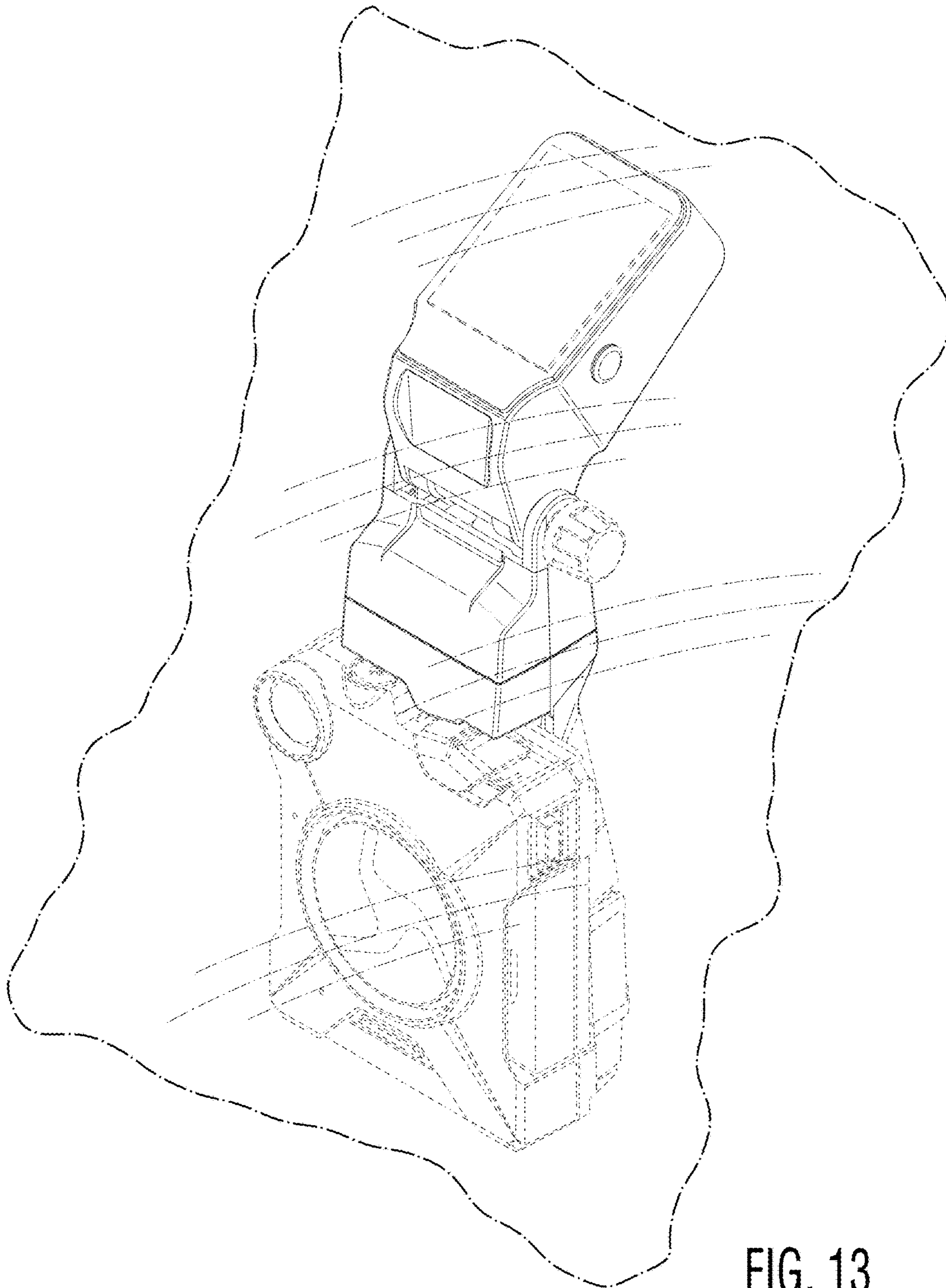


FIG. 13