



US00D803293S

(12) **United States Design Patent** (10) **Patent No.:** **US D803,293 S**  
**Willenborg** (45) **Date of Patent:** **\*\* Nov. 21, 2017**

(54) **LENS BRACKET**

(71) Applicant: **Fellowes, Inc.**, Itasca, IL (US)  
(72) Inventor: **John Willenborg**, Novato, CA (US)  
(73) Assignee: **Fellowes, Inc.**, Itasca, IL (US)  
(\*\*) Term: **15 Years**

(21) Appl. No.: **29/538,183**  
(22) Filed: **Sep. 1, 2015**  
(51) **LOC (10) Cl.** ..... **16-05**  
(52) **U.S. Cl.**  
USPC ..... **D16/237**  
(58) **Field of Classification Search**  
USPC ..... D16/134, 136, 200, 204, 208, 213-219,  
D16/235, 237-250; D14/203, 209, 217,  
D14/218, 224, 250-253, 345, 440, 449;  
D8/363, 373, 394  
CPC ..... G03B 17/02; G03B 17/04; G03B 17/14;  
G03B 21/20-21/2066; G03B  
15/041-15/0436; G03B 17/56; F16M  
11/32  
See application file for complete search history.

(56) **References Cited**

**U.S. PATENT DOCUMENTS**

D373,719 S *	9/1996	Lin	.....	D8/373
D394,203 S *	5/1998	Nadar	.....	D8/381
D507,479 S *	7/2005	Jablow	.....	D8/381
D511,296 S *	11/2005	Gross	.....	D8/380
D646,555 S *	10/2011	Galle	.....	D8/356
D700,045 S *	2/2014	Ritter	.....	D8/373
D717,857 S *	11/2014	Fong	.....	D16/237

**OTHER PUBLICATIONS**

ExoLens is a Professional Photography Lens Kit for iPhone 6. [online] Published date Feb. 24, 2015. Retrieved on Jan. 12, 2017 from <URL: <https://www.macobserver.com/tmo/review/exolens-is-a-professional-lens-kit-for-iphone-6>>.\*

\* cited by examiner

*Primary Examiner* — Vy Koenig

*Assistant Examiner* — Omeed Agilee

(74) *Attorney, Agent, or Firm* — Wood, Phillips, Katz, Clark & Mortimer

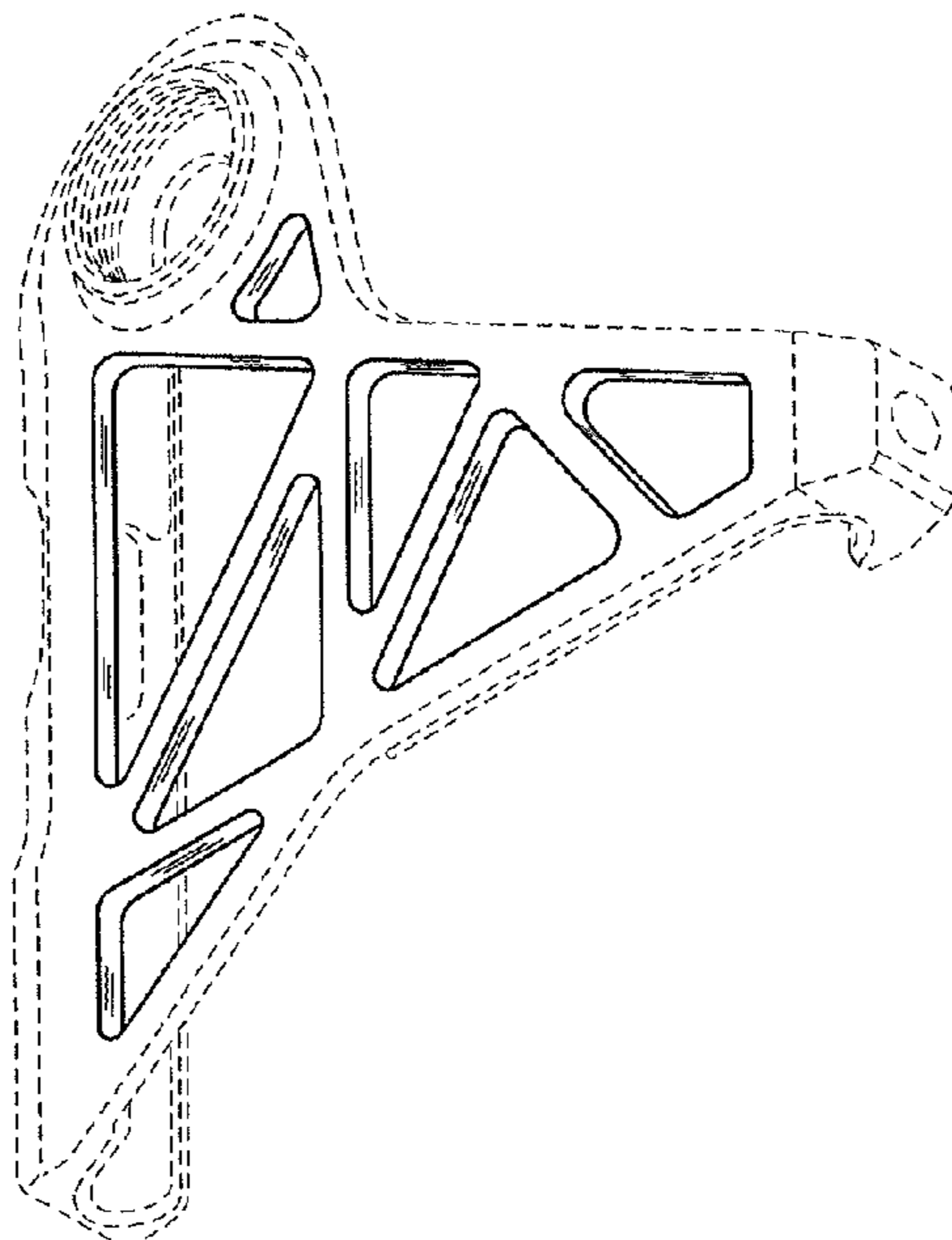
(57) **CLAIM**

The ornamental design for a lens bracket, substantially as shown and described.

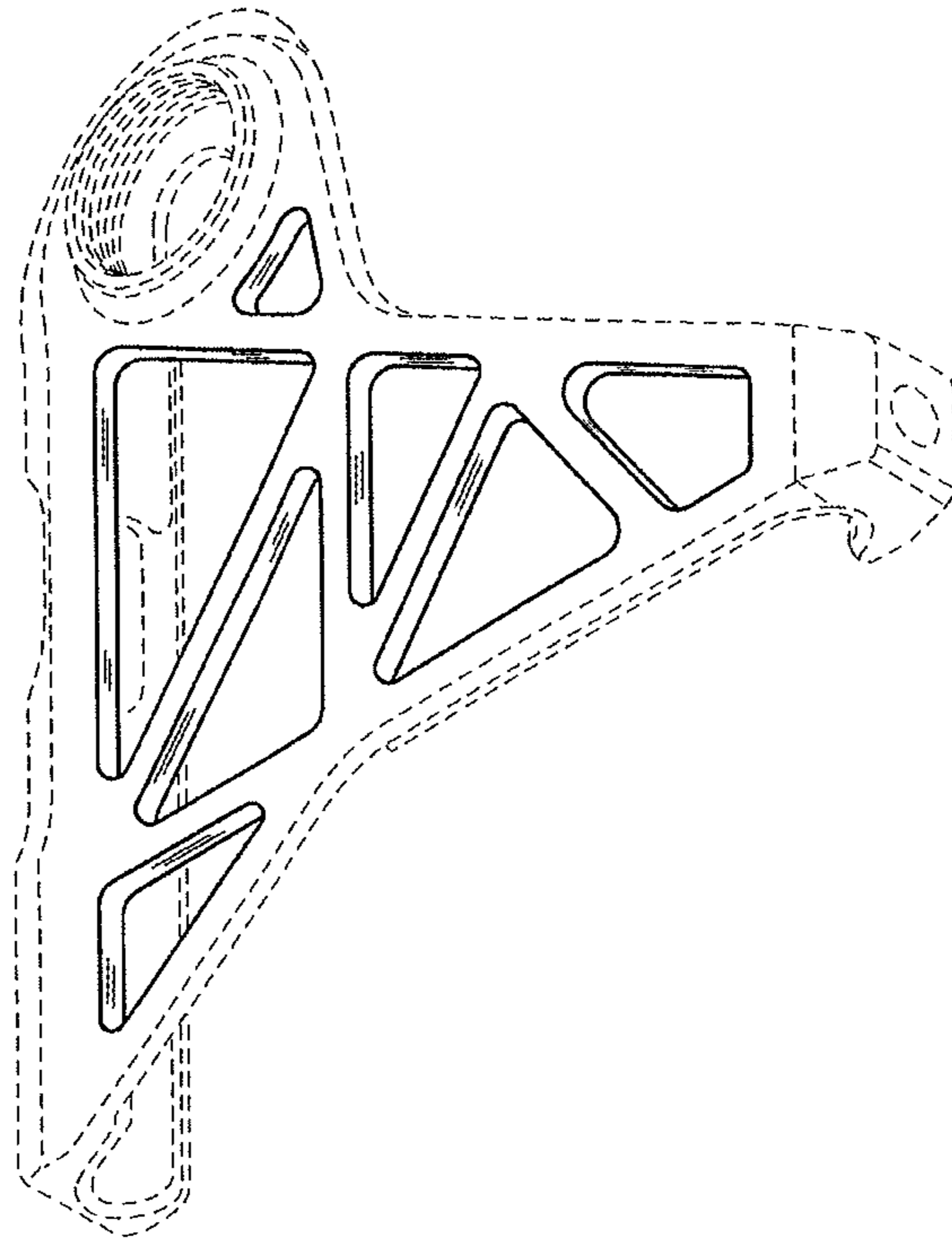
**DESCRIPTION**

FIG. 1 is a front, right, and bottom perspective view of a lens bracket showing my new design;  
FIG. 2 is a rear, left, and bottom perspective view thereof;  
FIG. 3 is a front elevational view thereof;  
FIG. 4 is a right side elevational view thereof;  
FIG. 5 is a top plan view thereof;  
FIG. 6 is a rear elevational view thereof;  
FIG. 7 is a bottom plan view thereof; and,  
FIG. 8 is a left side elevational view thereof.  
The broken lines and unshaded areas in the figures depict portions of the lens bracket that form no part of the claimed design.

**1 Claim, 3 Drawing Sheets**



**Fig. 1**



**Fig. 2**

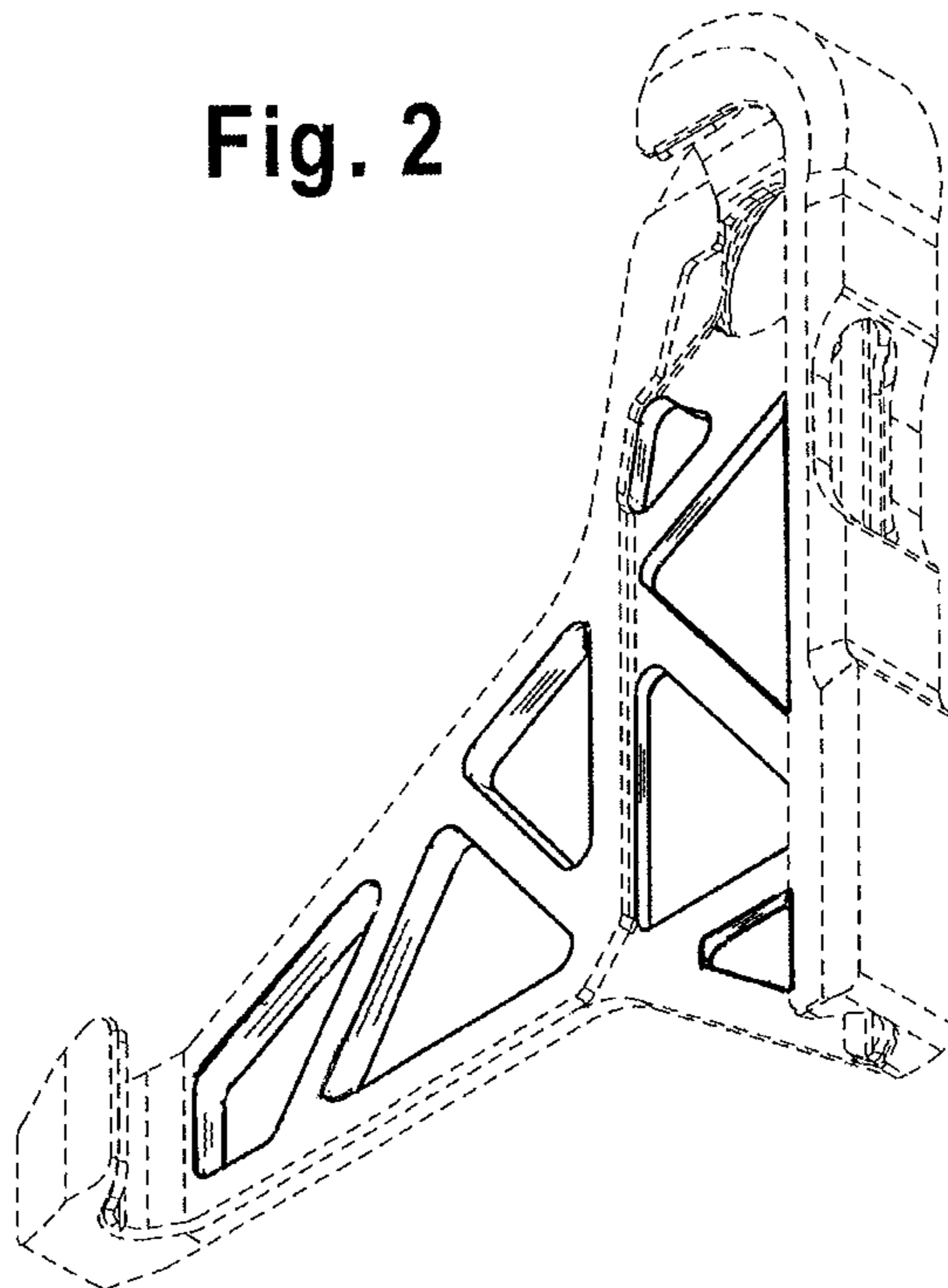


Fig. 3

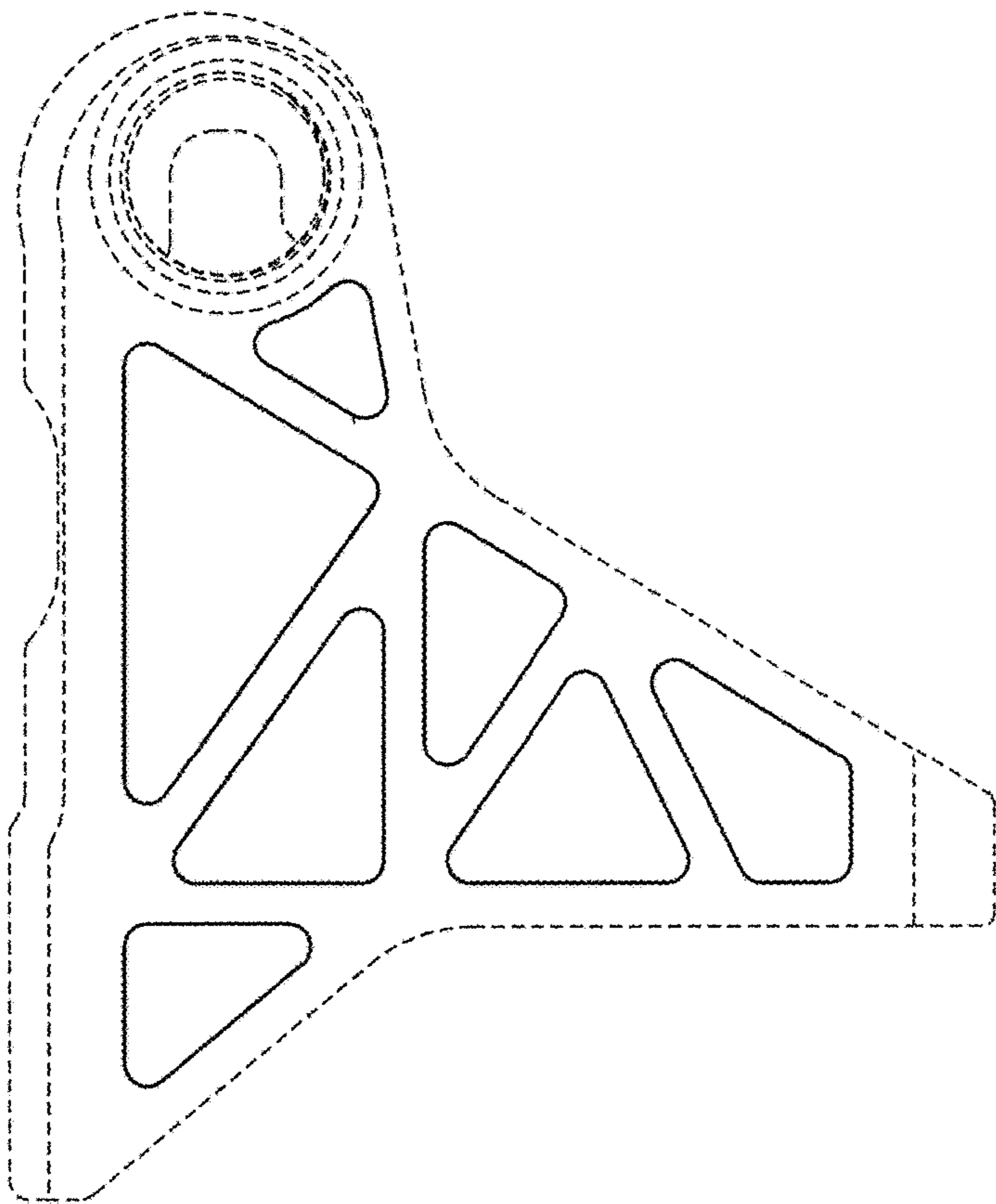


Fig. 4

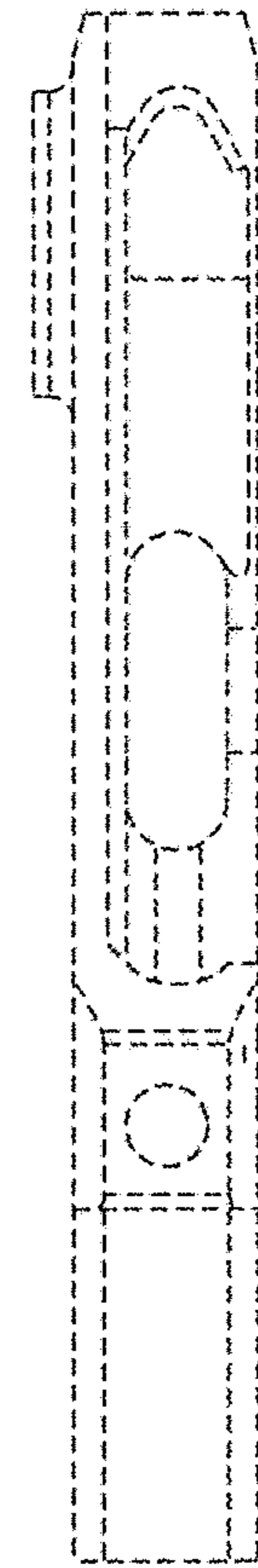


Fig. 5

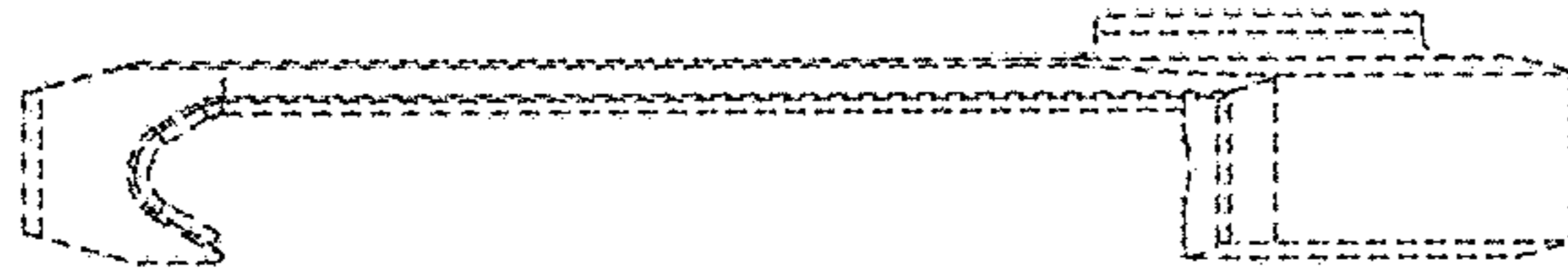


Fig. 6

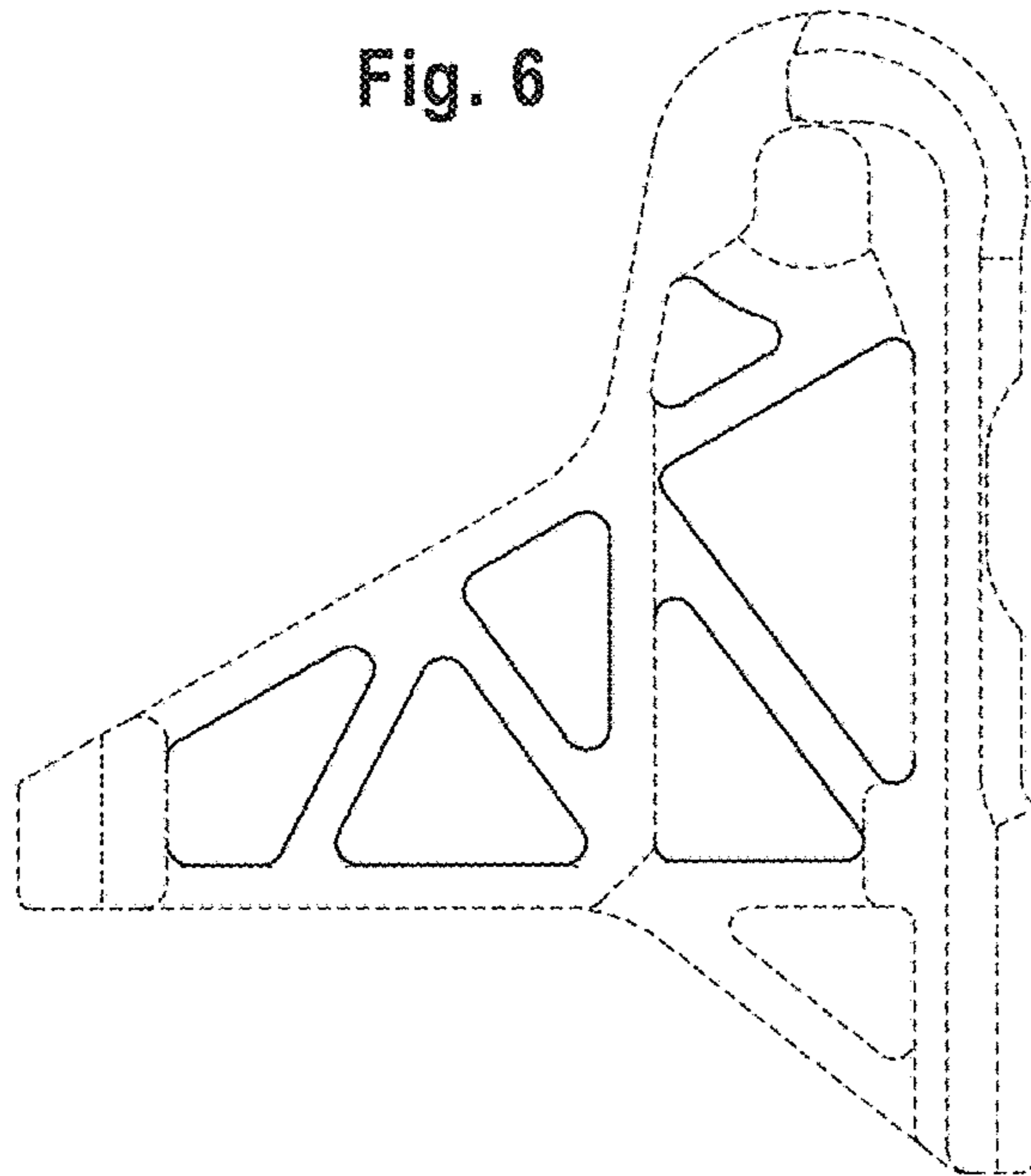


Fig. 8

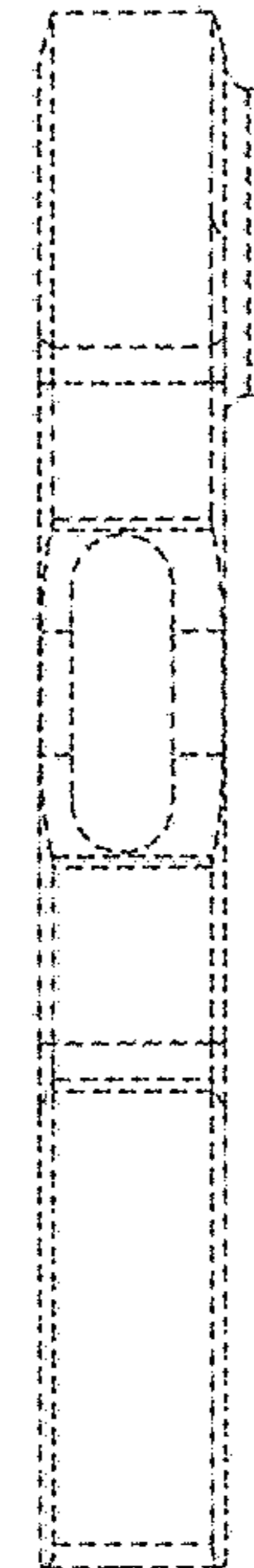


Fig. 7

