



US00D803291S

(12) **United States Design Patent** (10) **Patent No.:** **US D803,291 S**  
**Andersson et al.** (45) **Date of Patent:** **\*\* Nov. 21, 2017**

(54) **MONITORING CAMERA**

(71) Applicant: **AXIS AB**, Lund (SE)

(72) Inventors: **Mathias Andersson**, Hoganas (SE);  
**Ola Andersson**, Helsingborg (SE);  
**Morten Bergstrom**, Bjarred (SE); **Lina Carlsson**, Rydeback (SE); **Johan Hagg**, Lund (SE); **Rafael Portela**, Malmo (SE)

(73) Assignee: **AXIS AB**, Lund (SE)

(\*\*) Term: **15 Years**

(21) Appl. No.: **29/551,407**

(22) Filed: **Jan. 13, 2016**

**Related U.S. Application Data**

(62) Division of application No. 29/471,651, filed on Nov. 4, 2013, now Pat. No. Des. 750,682.

**Foreign Application Priority Data**

May 7, 2013 (EM) ..... 1001370662-01-05

(51) **LOC (10) Cl.** ..... **16-05**

(52) **U.S. Cl.**  
USPC ..... **D16/219**; D16/203

(58) **Field of Classification Search**  
USPC ..... D16/200, 202-206, 218, 219, 242;  
348/143, 148, 151, 373-376; 396/419,  
396/427, 535, 539-541  
CPC ..... G03B 17/02; G03B 19/04; G03B 17/56;  
G03B 17/04; G03B 15/03; H04N 5/2251;  
H04N 5/2252; H04N 5/2253; H04N  
5/2254; H04N 7/181; H04N 7/183; H04N  
7/18; G08B 13/1963; G08B 13/19619;  
G08B 13/19632; F16M 11/04; F16M  
13/00

See application file for complete search history.

(56) **References Cited**

**U.S. PATENT DOCUMENTS**

D461,485 S 8/2002 Jones et al.  
D497,927 S 11/2004 Arbuckle et al.  
(Continued)

**FOREIGN PATENT DOCUMENTS**

TW D153141 4/2013  
WO 001703992-0001 5/2010  
(Continued)

**OTHER PUBLICATIONS**

<http://www.panasonic.com/business/provideo/d2hbmvp550-3.asp>  
(May 1, 2013).

(Continued)

*Primary Examiner* — Philip S Hyder

*Assistant Examiner* — Ramzi Almatrahi

(74) *Attorney, Agent, or Firm* — Volpe and Koenig, P.C.

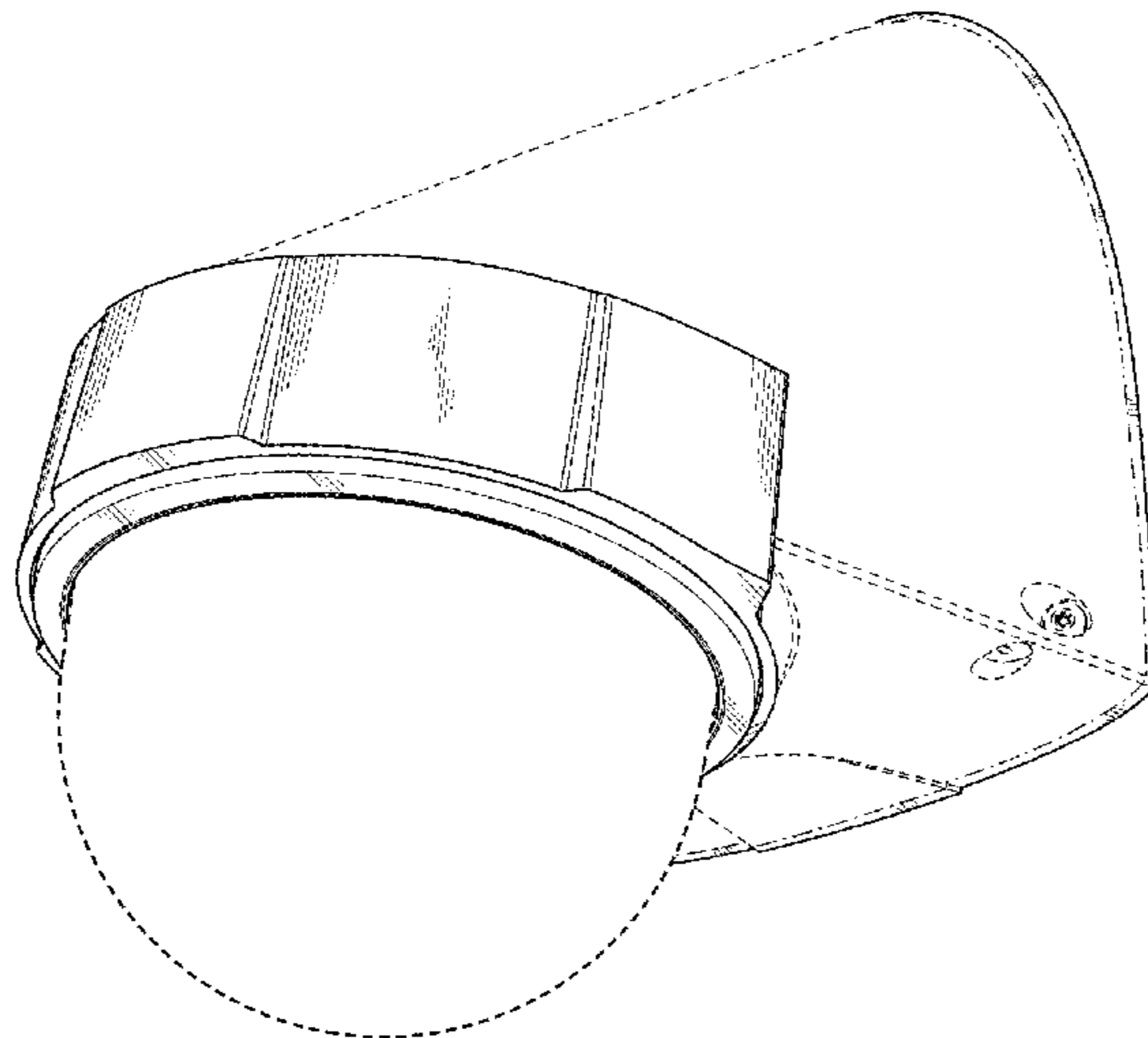
(57) **CLAIM**

The ornamental design for a monitoring camera, as shown and described.

**DESCRIPTION**

FIG. 1 is a bottom, front, right perspective view of a monitoring camera in accordance with our design; FIG. 2 is a front elevational view thereof; FIG. 3 is a left side elevational view thereof; FIG. 4 is a right side elevational view thereof; FIG. 5 is a top plan view thereof; FIG. 6 is a bottom plan view thereof; and, FIG. 7 is a rear elevational view thereof. The broken lines depict portions of a monitoring camera in which the design is embodied and form no part of the claimed design. The dot-dash lines denote the boundary of the claim and form no part of the claimed design.

**1 Claim, 7 Drawing Sheets**



(56)

**References Cited**

U.S. PATENT DOCUMENTS

D503,183 S \* 3/2005 Arbuckle ..... D16/203  
 D507,804 S \* 7/2005 Nagai ..... D16/203  
 D508,067 S 8/2005 Deguchi  
 D527,405 S 8/2006 Kim et al.  
 D560,244 S 1/2008 Naruki  
 D560,247 S \* 1/2008 Alm ..... D16/203  
 D577,758 S 9/2008 Ferris et al.  
 D594,048 S 6/2009 Yamakawa  
 D612,883 S \* 3/2010 Yamakawa ..... D16/203  
 D615,115 S 5/2010 Arnold et al.  
 D620,513 S 7/2010 Richards  
 D628,225 S 11/2010 Deurwaarder  
 D636,804 S 4/2011 Anneback et al.  
 D636,805 S \* 4/2011 Anneback ..... D16/203  
 D639,328 S 6/2011 Zeinoun et al.  
 D639,843 S 6/2011 Zeinoun et al.  
 D655,328 S 3/2012 Anneback et al.  
 D662,120 S 6/2012 Deurwaarder

D690,345 S 9/2013 Seo et al.  
 D702,275 S 4/2014 Ying  
 D705,334 S \* 5/2014 Fransson ..... D16/203  
 D708,654 S 7/2014 Tani  
 D725,172 S 3/2015 Katori et al.  
 D744,570 S \* 12/2015 Criscuolo ..... D16/203  
 D753,752 S \* 4/2016 Ahman ..... D16/203  
 D753,753 S 4/2016 Moon et al.

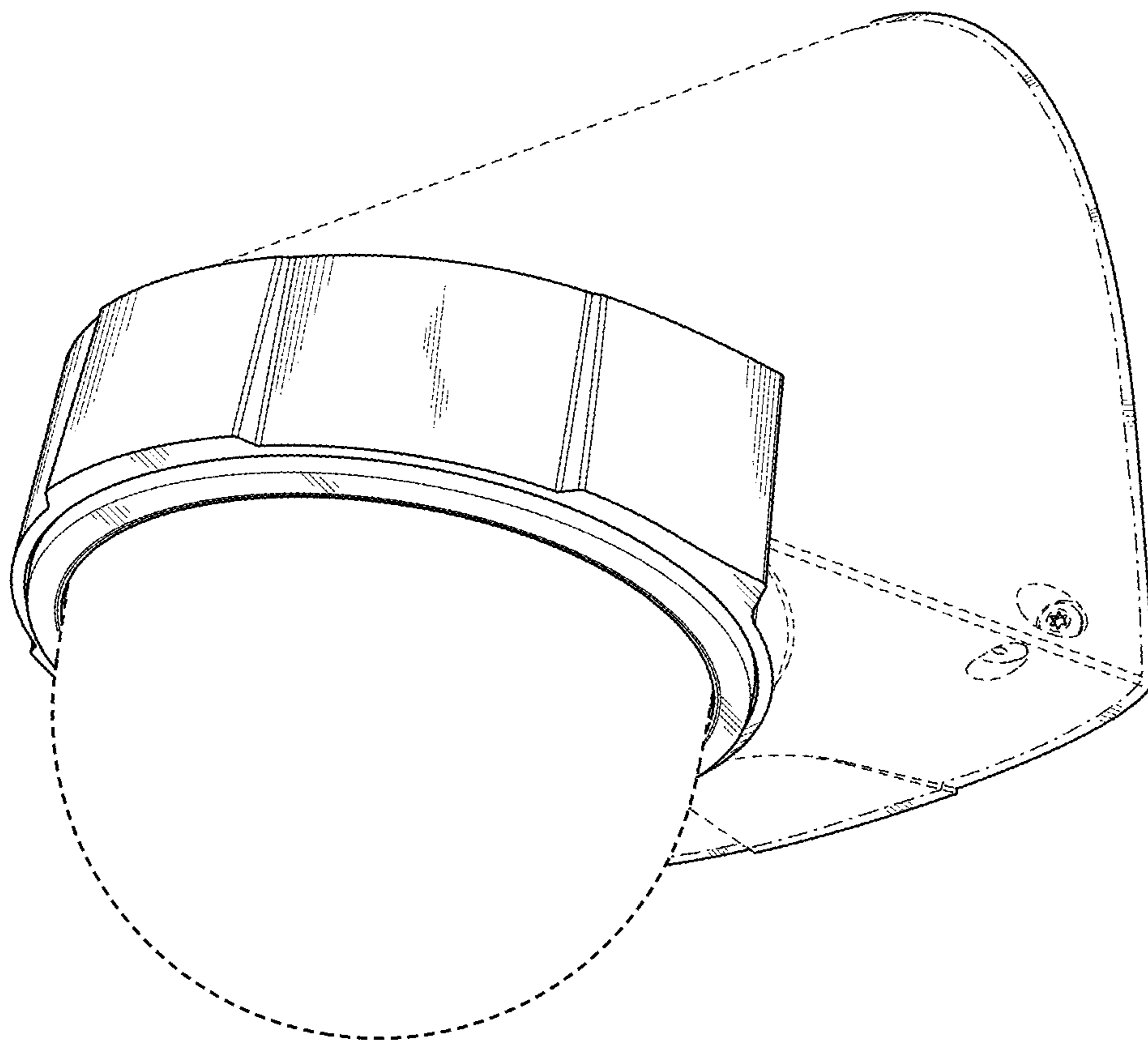
FOREIGN PATENT DOCUMENTS

WO 001703992-002 5/2010  
 WO 01703992-003 5/2010

OTHER PUBLICATIONS

<http://www.ecvv.com/product/3660520.html> (May 1, 2013).  
<http://www.overview.co.uk/products/standard-products/18-limpet-wallmount.html> (May 1, 2013).

\* cited by examiner



**FIG. 1**

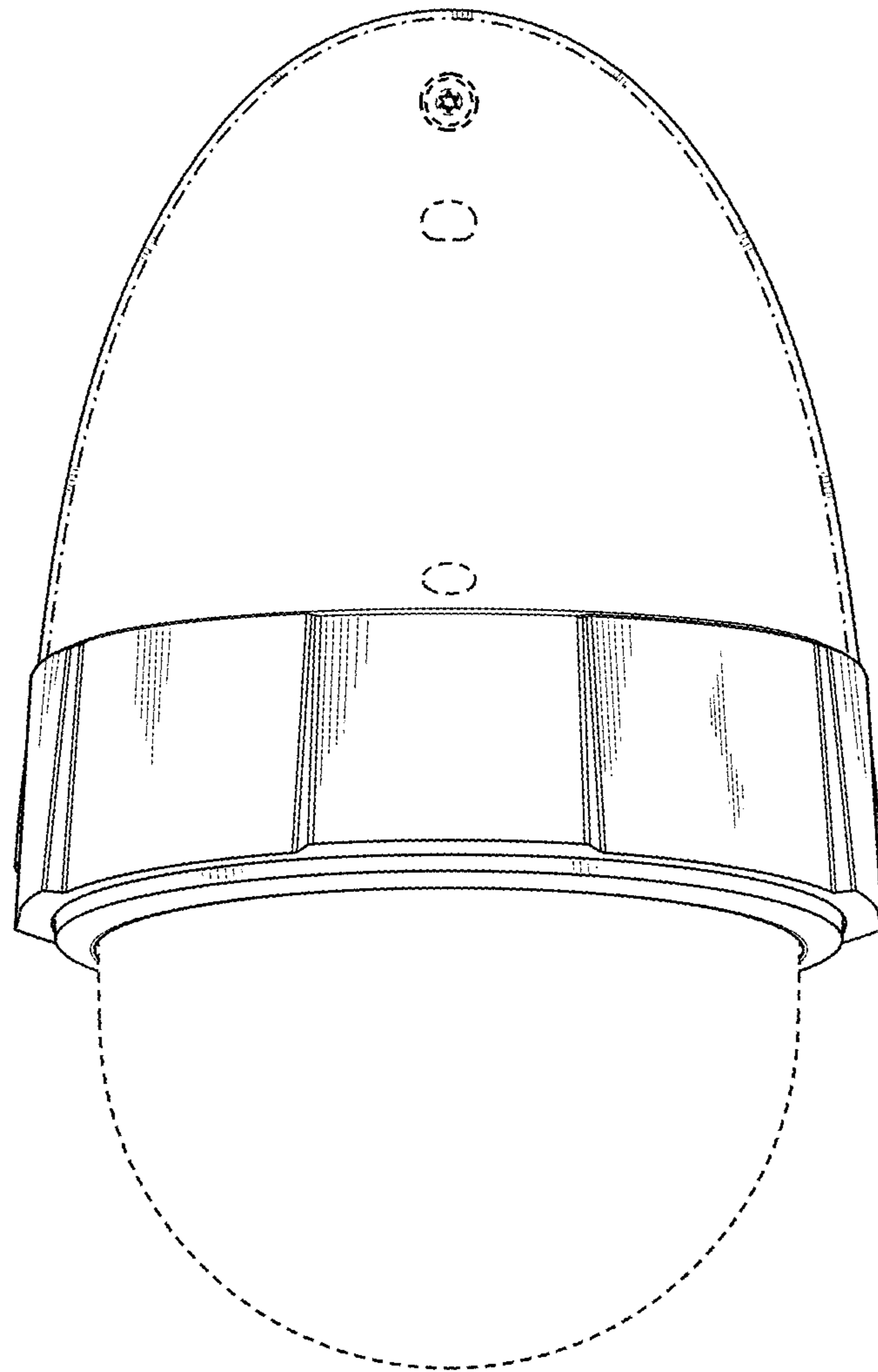


FIG. 2

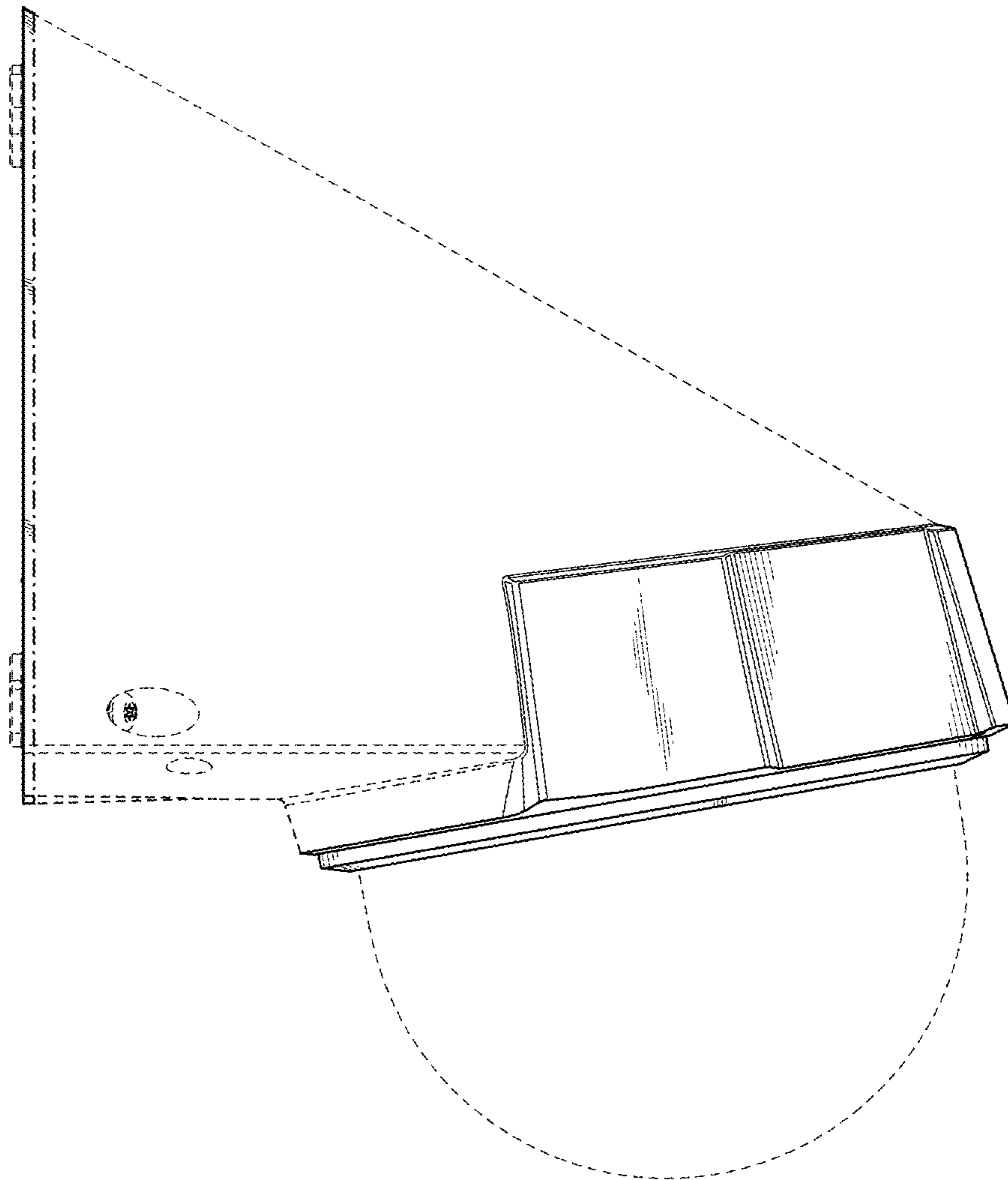


FIG. 3

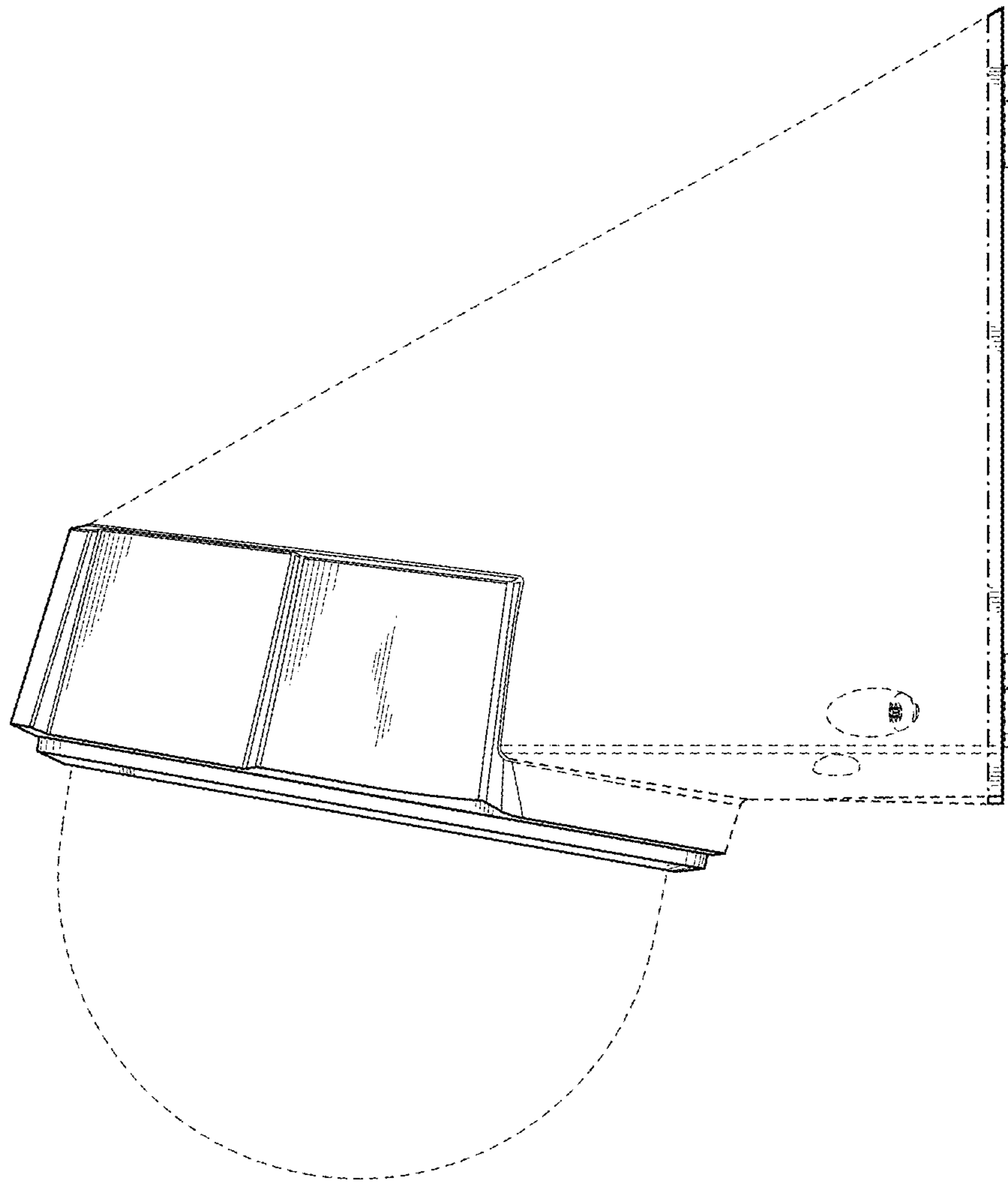
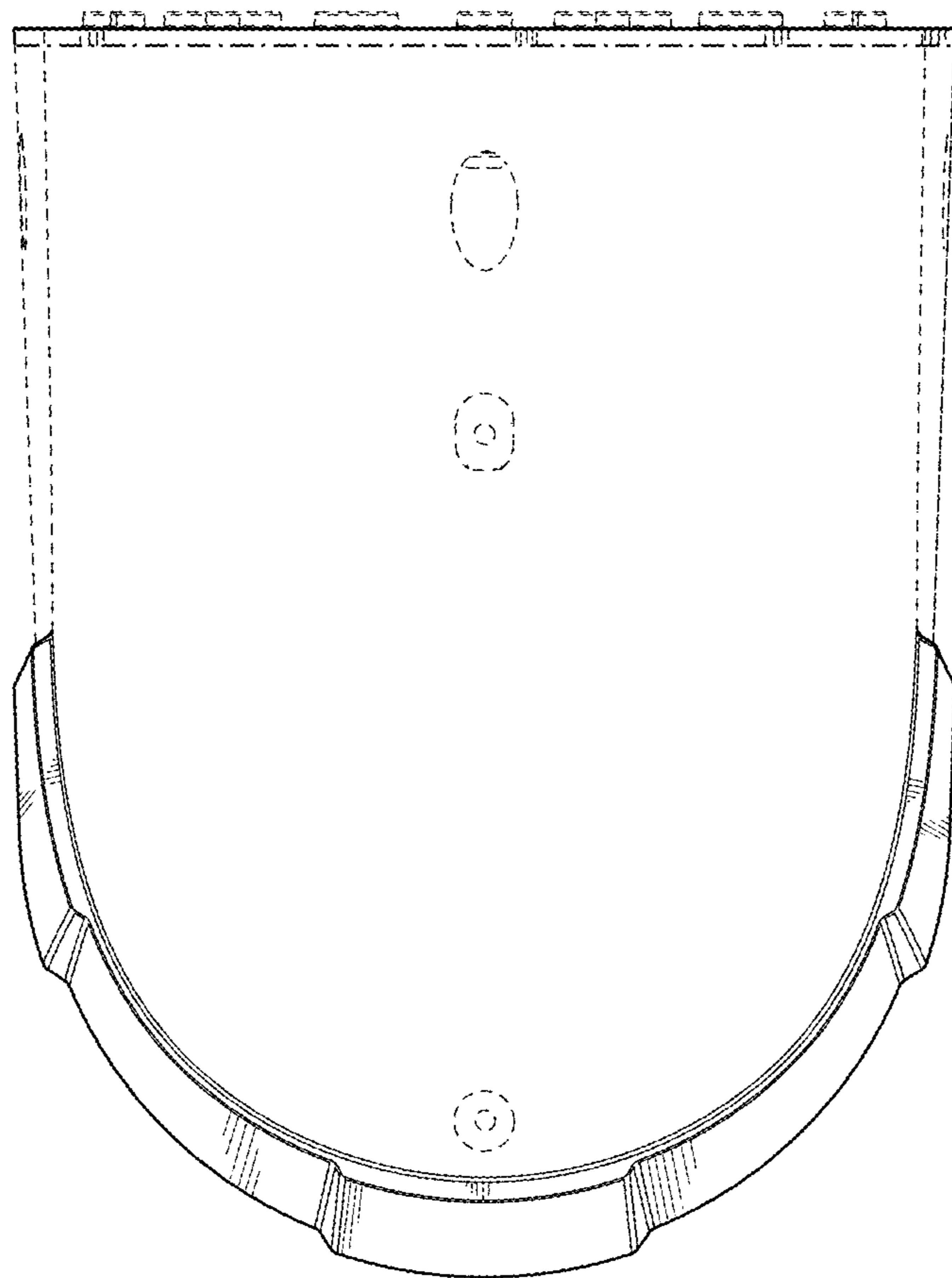


FIG. 4





**FIG. 5**

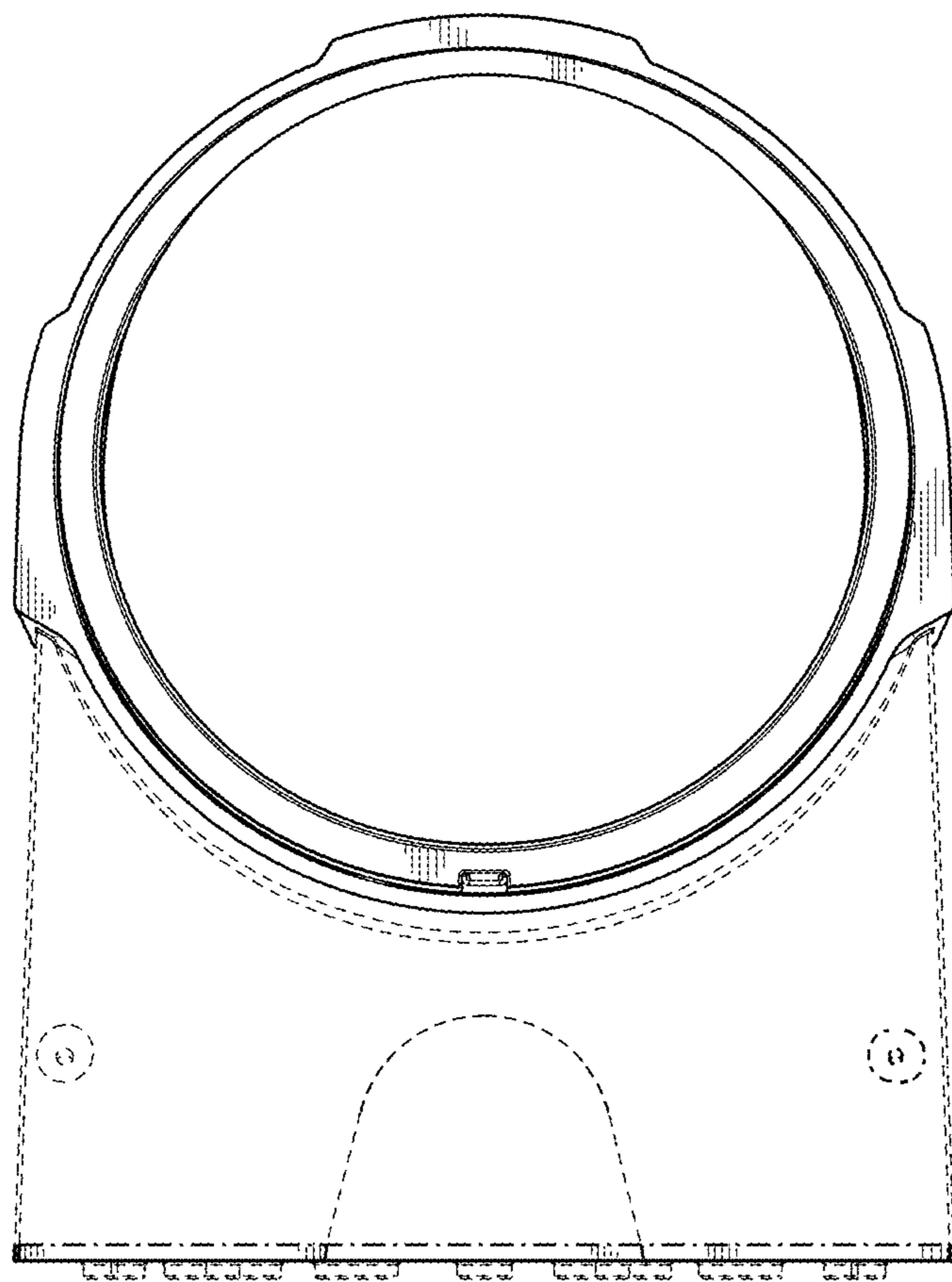


FIG. 6



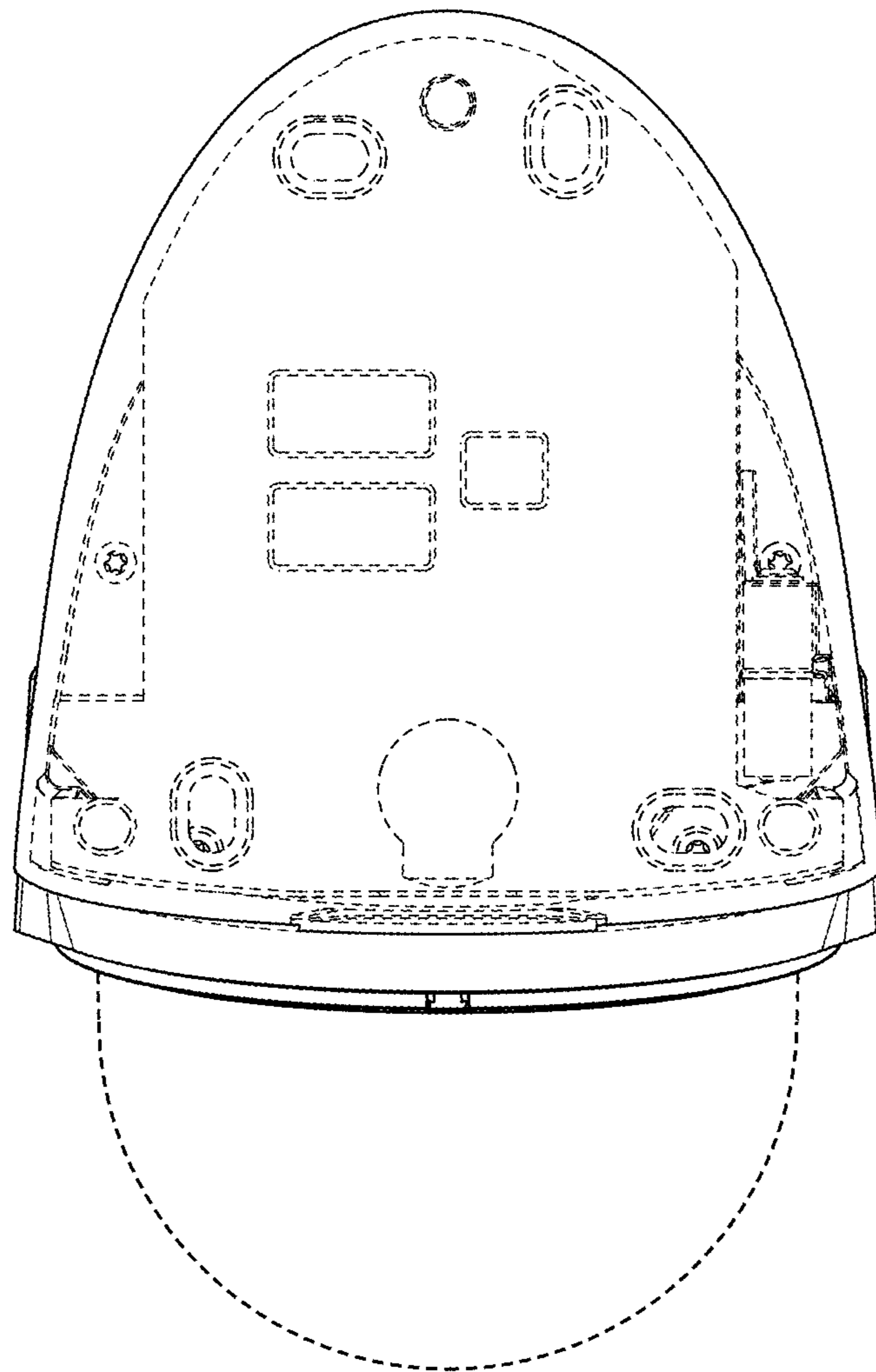


FIG. 7