



US00D803290S

(12) **United States Design Patent** (10) **Patent No.:** **US D803,290 S**
Martin et al. (45) **Date of Patent:** **** Nov. 21, 2017**

(54) **WATERPROOF CASE FOR PORTABLE CAMERA**

D719,992 S * 12/2014 Peng D16/202
D772,322 S * 11/2016 Zhang D16/200
2008/0055570 A1* 3/2008 Kong G03B 21/20
353/100

(71) Applicant: **OCU, LLC**, Tempe, AZ (US)

FOREIGN PATENT DOCUMENTS

(72) Inventors: **Hugo Martin**, Oxfordshire (GB);
Robert William Moore, Theale (GB);
Firas Kittaneh, Tempe, AZ (US)

CN 200930169365 * 9/2009
JP D2015-28966 * 12/2015

(73) Assignee: **OCU, LTD.**, East Grinstead (GB)

OTHER PUBLICATIONS

(**) Term: **15 Years**

OCU. [online] Published date unknown. Retrieved on Jun. 19, 2017 from <URL: <https://productdesignaward.eu/winners/winner.php?id=8563&count=2&mode>>.*

(21) Appl. No.: **29/551,187**

* cited by examiner

(22) Filed: **Jan. 11, 2016**

(51) **LOC (10) Cl.** **16-01**

Primary Examiner — Vy N Koenig

(52) **U.S. Cl.**

Assistant Examiner — Omeed Agilee

USPC **D16/204**; D16/200; D16/237

(58) **Field of Classification Search**

(74) *Attorney, Agent, or Firm* — Weiss & Moy, P.C.; Jeffrey D. Moy

USPC D16/200, 204, 208, 213–219, 235,
D16/237–250; D14/217, 229, 250–253;
D8/363, 373, 394

CPC G03B 17/02–17/04; G03B 17/14; G03B
17/56; G03B 17/561–17/568; G03B
21/20; G02B 7/00–7/002; F16M 11/02;
F16M 11/04; F16M 11/20; F16M 11/40

See application file for complete search history.

(57) **CLAIM**

The ornamental design for a waterproof case for portable camera, as shown and described.

DESCRIPTION

FIG. 1 is a front, top, and right perspective view of a waterproof case for portable camera showing our new design;

FIG. 2 is a front elevational view thereof;

FIG. 3 is a rear elevational view thereof;

FIG. 4 is a right side elevational view thereof;

FIG. 5 is a left side elevational view thereof;

FIG. 6 is a top plan view thereof; and,

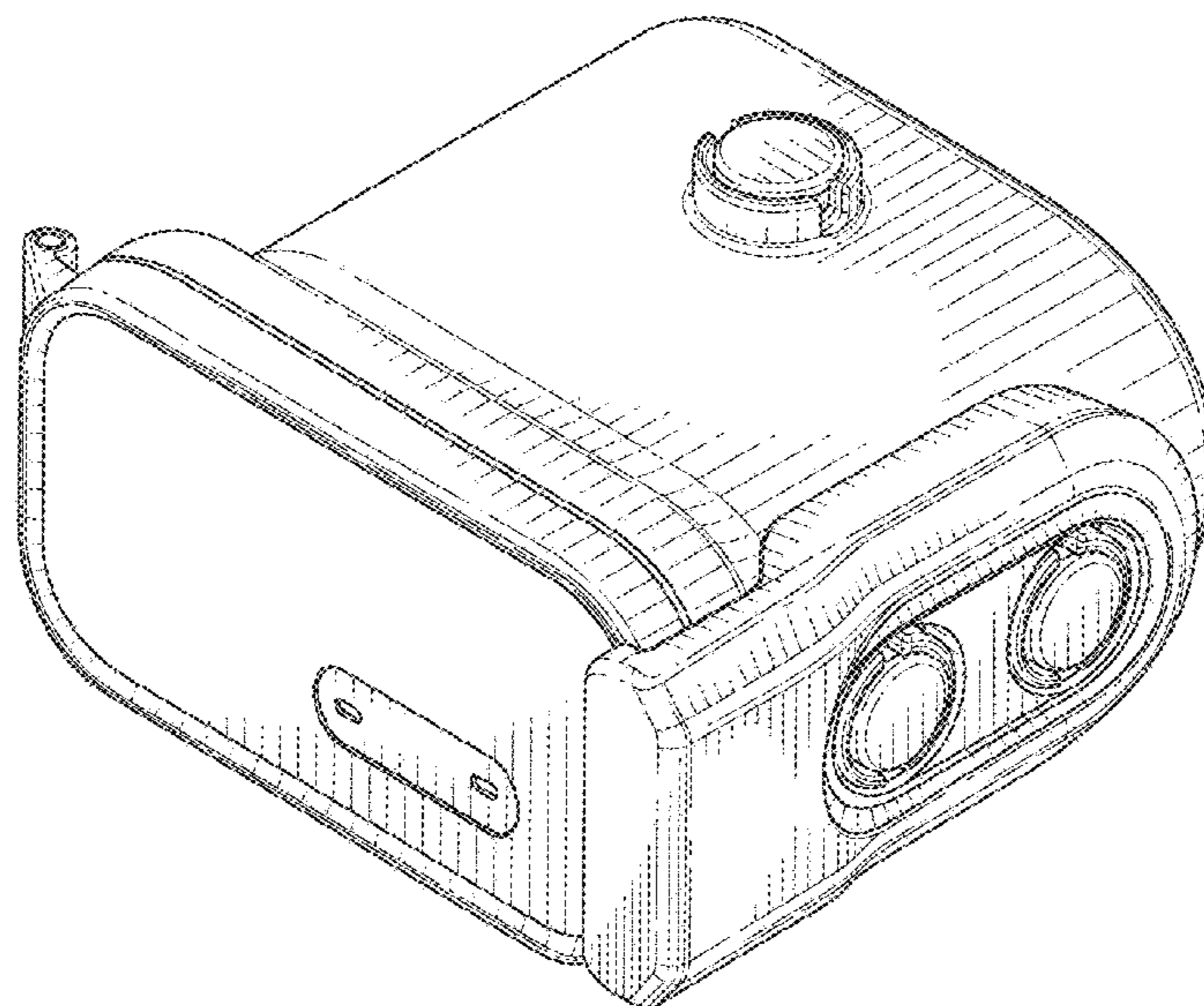
FIG. 7 is a bottom plan view thereof.

1 Claim, 5 Drawing Sheets

(56) **References Cited**

U.S. PATENT DOCUMENTS

D334,397 S * 3/1993 Kohno 396/27
D338,330 S * 8/1993 Kohno D16/204
D356,327 S * 3/1995 Mouri D16/204
D419,296 S * 1/2000 Shinano D16/204
D438,880 S * 3/2001 Katayama 396/27
D635,119 S * 3/2011 Van Hees D14/158
D675,661 S * 2/2013 Jannard D16/242



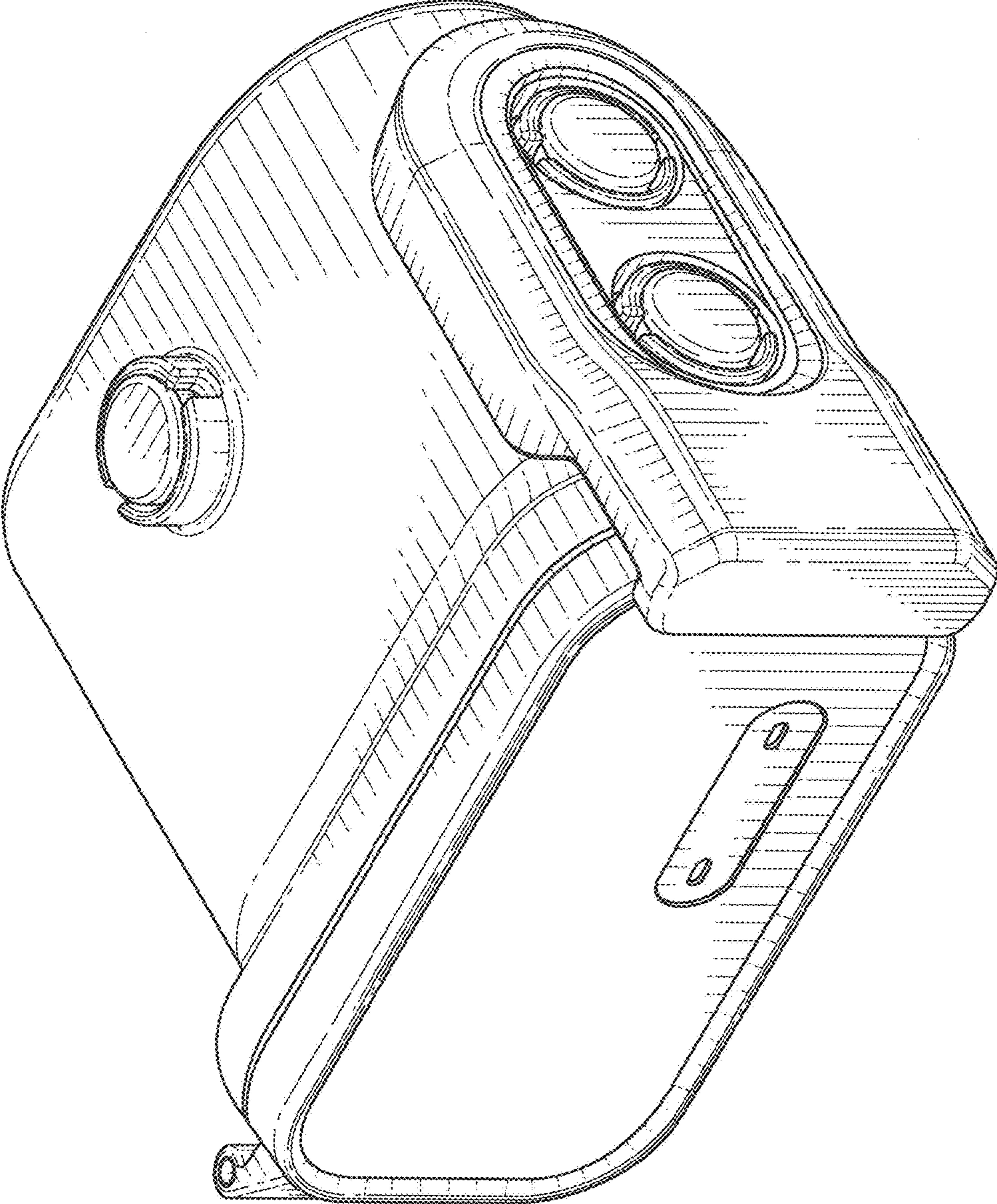


FIG. 1

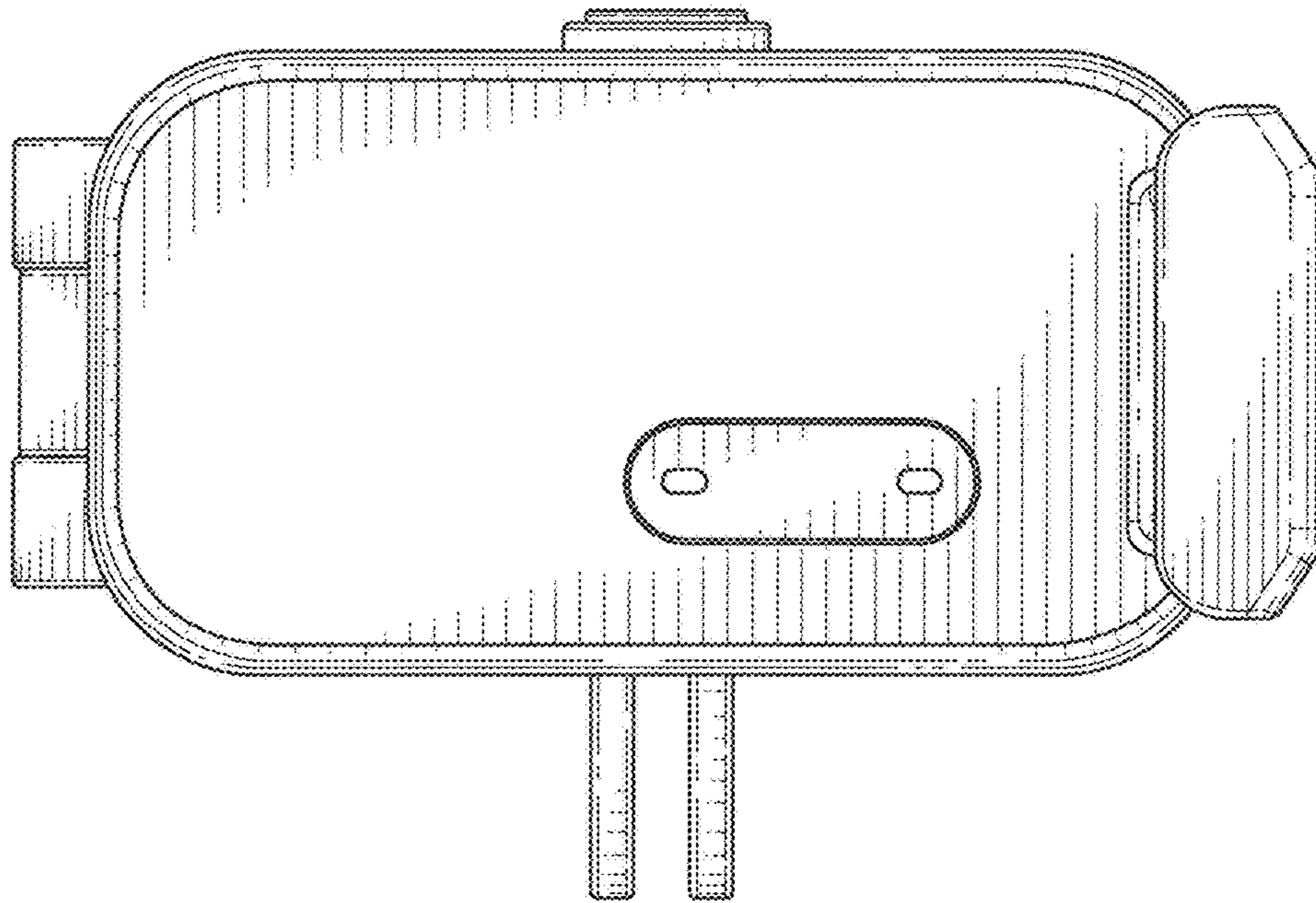


FIG. 2

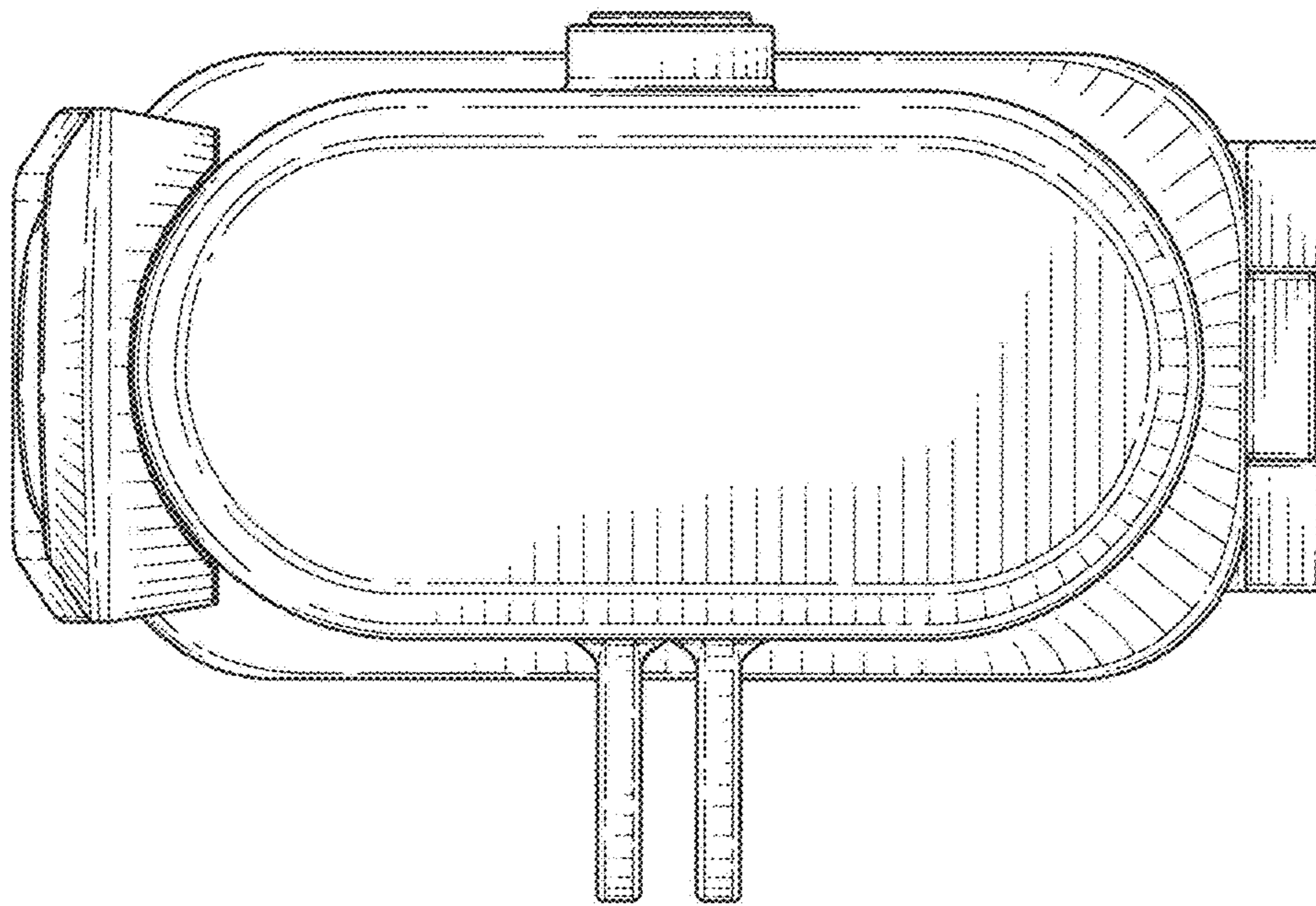


FIG. 3

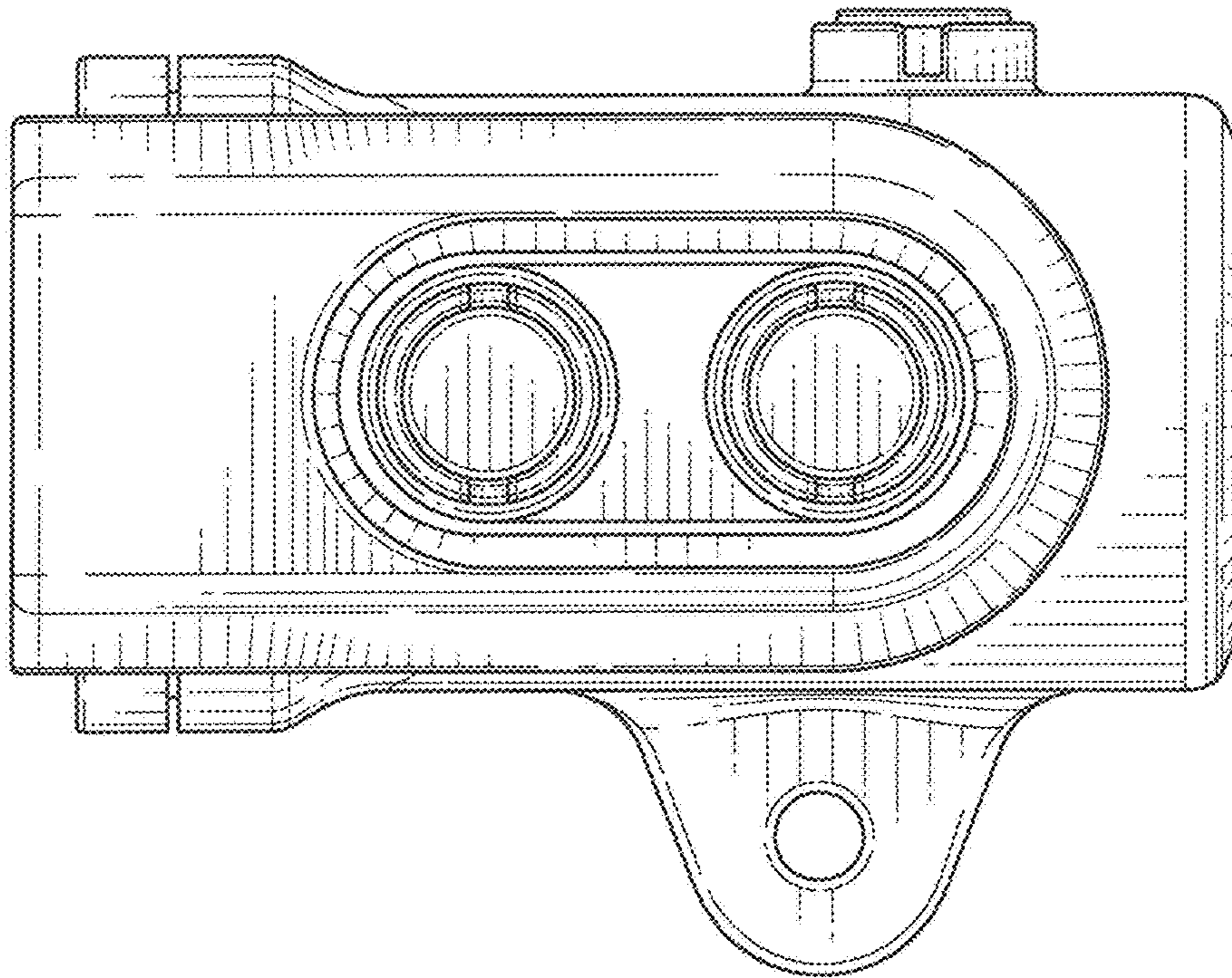


FIG. 4

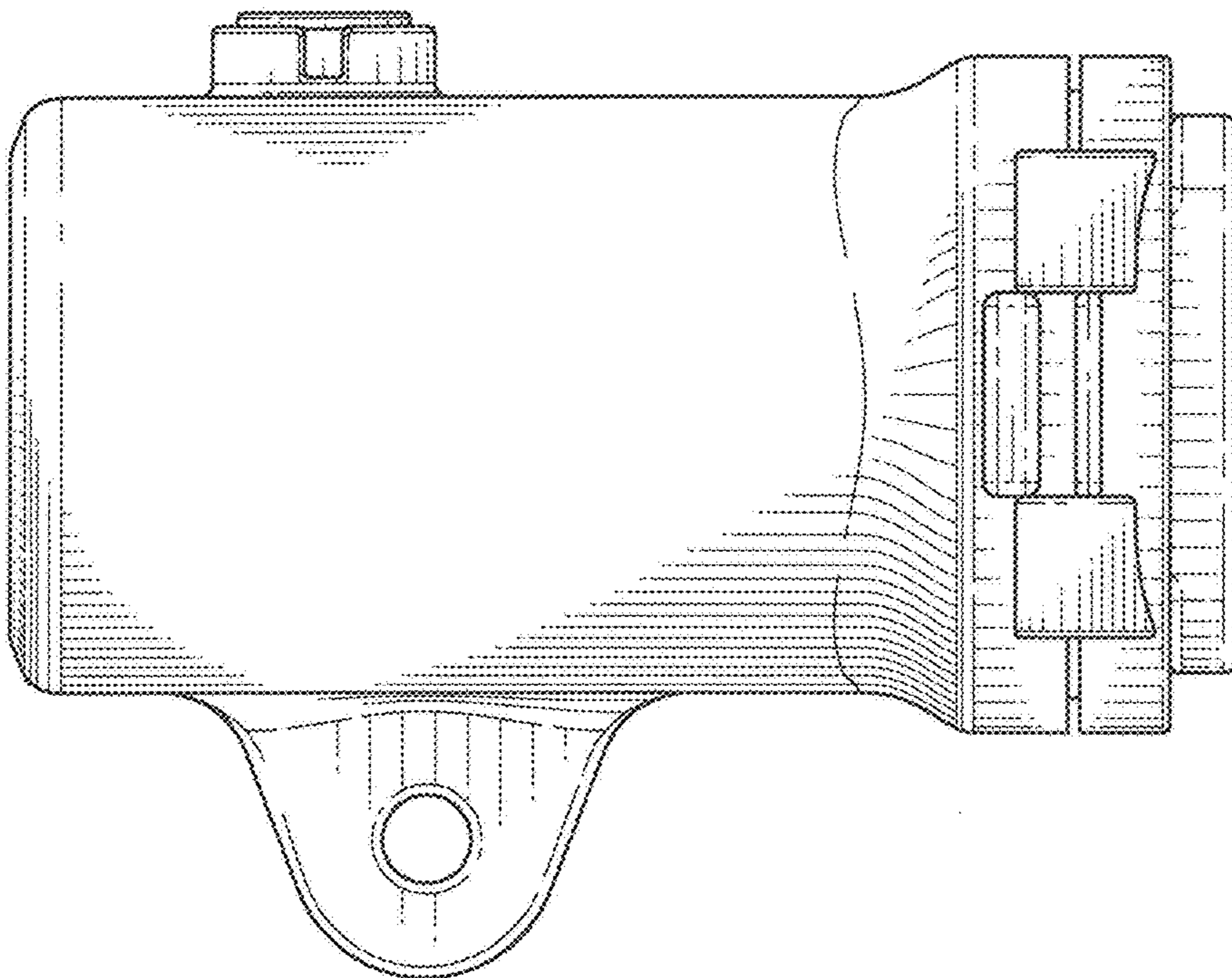


FIG. 5

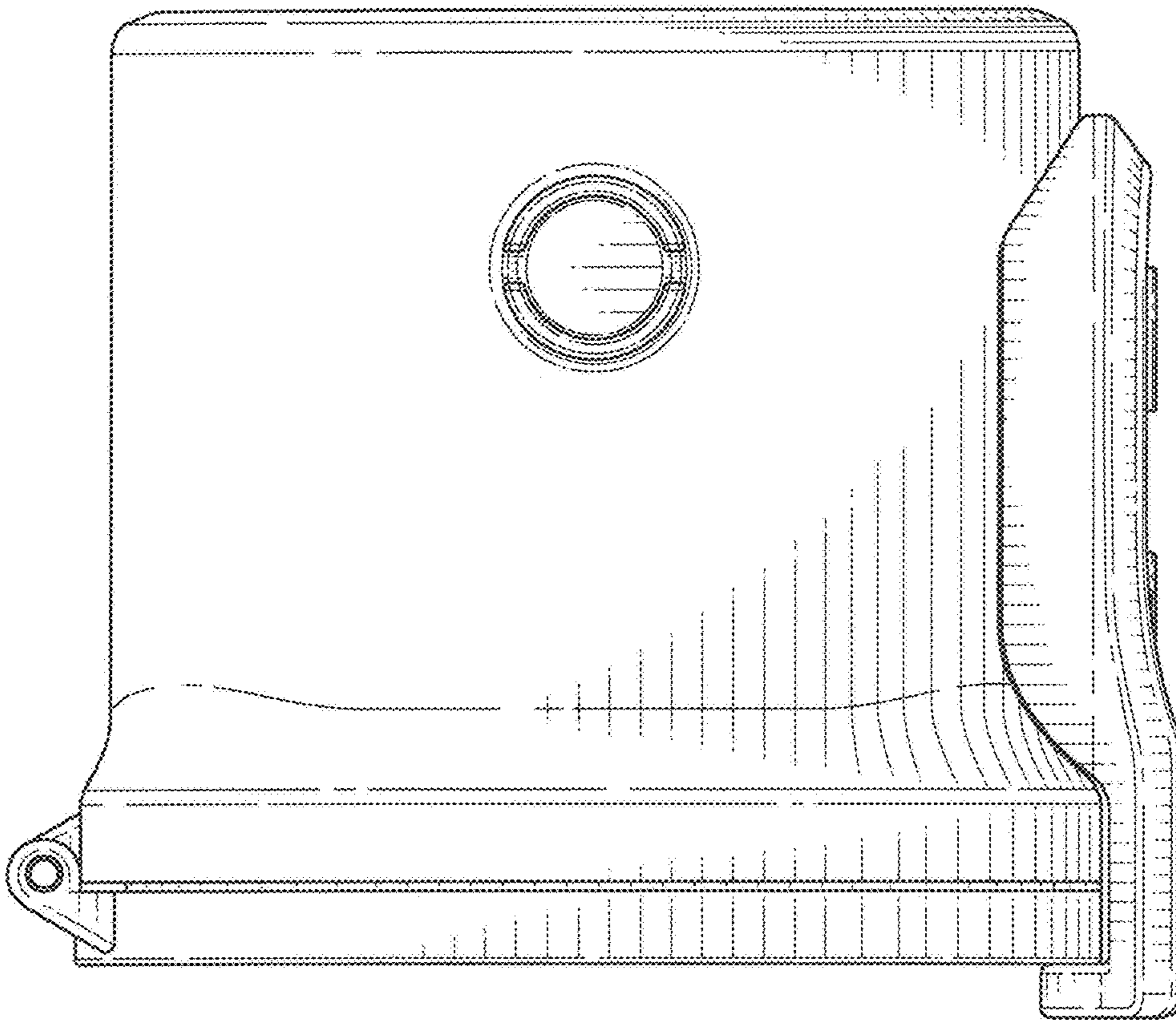


FIG. 6

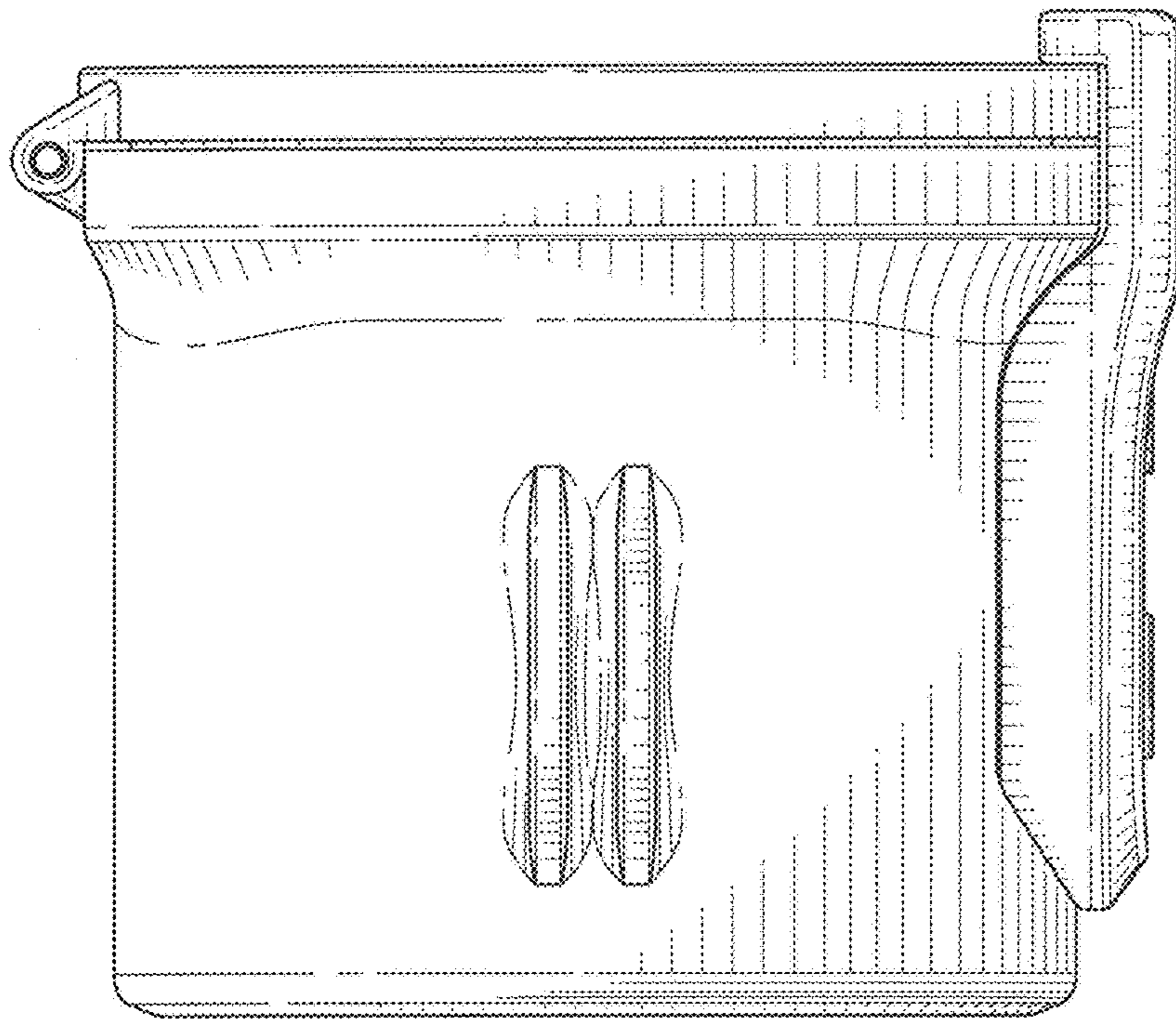


FIG. 7