



US00D803289S

(12) **United States Design Patent**  
**Glazer et al.**

(10) **Patent No.:** **US D803,289 S**

(45) **Date of Patent:** **\*\* Nov. 21, 2017**

(54) **MONITORING CAMERA**

(71) Applicant: **UDISENSE INC.**, New York, NY (US)

(72) Inventors: **Assaf Glazer**, Hoboken, NJ (US); **Tor Ivry**, Rishon Lezion (IL); **Amir Katz**, Bat Hefer (IL); **Amnon Karni**, New York, NY (US); **Mark Prommel**, Brooklyn, NY (US); **Pil Ho Chung**, Palisades Park, NJ (US); **Marco Perry**, Brooklyn, NY (US); **Oscar Frias**, Brooklyn, NY (US)

(73) Assignee: **UDISENSE INC.**, New York, NY (US)

(\*\*) Term: **15 Years**

(21) Appl. No.: **29/563,945**

(22) Filed: **May 10, 2016**

(51) **LOC (10) Cl.** ..... **16-01**

(52) **U.S. Cl.**  
USPC ..... **D16/203**

(58) **Field of Classification Search**  
USPC ..... D14/130, 144, 132; D16/200–220, 242, D16/238; D26/24, 36, 72, 79, 123; D10/104.1, 104.2, 106.1, 106.2, 106.5; D9/548, 560, 572, 574, 430, 431; D29/109–110  
CPC ..... H04N 7/181; H04N 7/183; H04N 7/18; H04N 3/08; H04N 5/23248; H04N 5/23287; H04N 5/23258; H04N 5/2251; H04N 5/2252; H04N 2007/145; G01C 11/025; G03B 15/00; G03B 15/03; G03B 17/56; G03B 17/02; G03B 17/30; G03B 17/04; G03B 17/00; G03B 19/04; G03B 3/00; B60R 1/00; B60R 2300/105; G08B 13/19619; G08B 13/1963; G08B 13/19632; F16M 11/04; F16M 13/00; Y02E 60/12  
See application file for complete search history.

(56) **References Cited**

**U.S. PATENT DOCUMENTS**

D585,395 S \* 1/2009 Cho ..... D14/125  
D614,223 S \* 4/2010 Kim ..... D16/202

D635,940 S \* 4/2011 Cho ..... D14/125  
D640,692 S \* 6/2011 Waisman-Diamond ..... D14/240  
D645,466 S \* 9/2011 Woo ..... D14/365  
D647,866 S \* 11/2011 Chen ..... D14/125  
D649,945 S \* 12/2011 Kim ..... D14/125  
D659,690 S \* 5/2012 Huang ..... D14/138 G  
D676,005 S \* 2/2013 Wood ..... D14/125  
D685,355 S \* 7/2013 Holleman ..... D14/240

(Continued)

**OTHER PUBLICATIONS**

Nanit, Dec. 9, 2016, [site visited Mar. 29, 2017], Available from Internet, URL: <<https://support.nanit.com/hc/en-us/articles/235804047-How-do-I-reset-my-Nanit-camera->>.\*

*Primary Examiner* — Barbara Fox

*Assistant Examiner* — Mary C Ramirez

(74) *Attorney, Agent, or Firm* — D. Kligler IP Services Ltd.

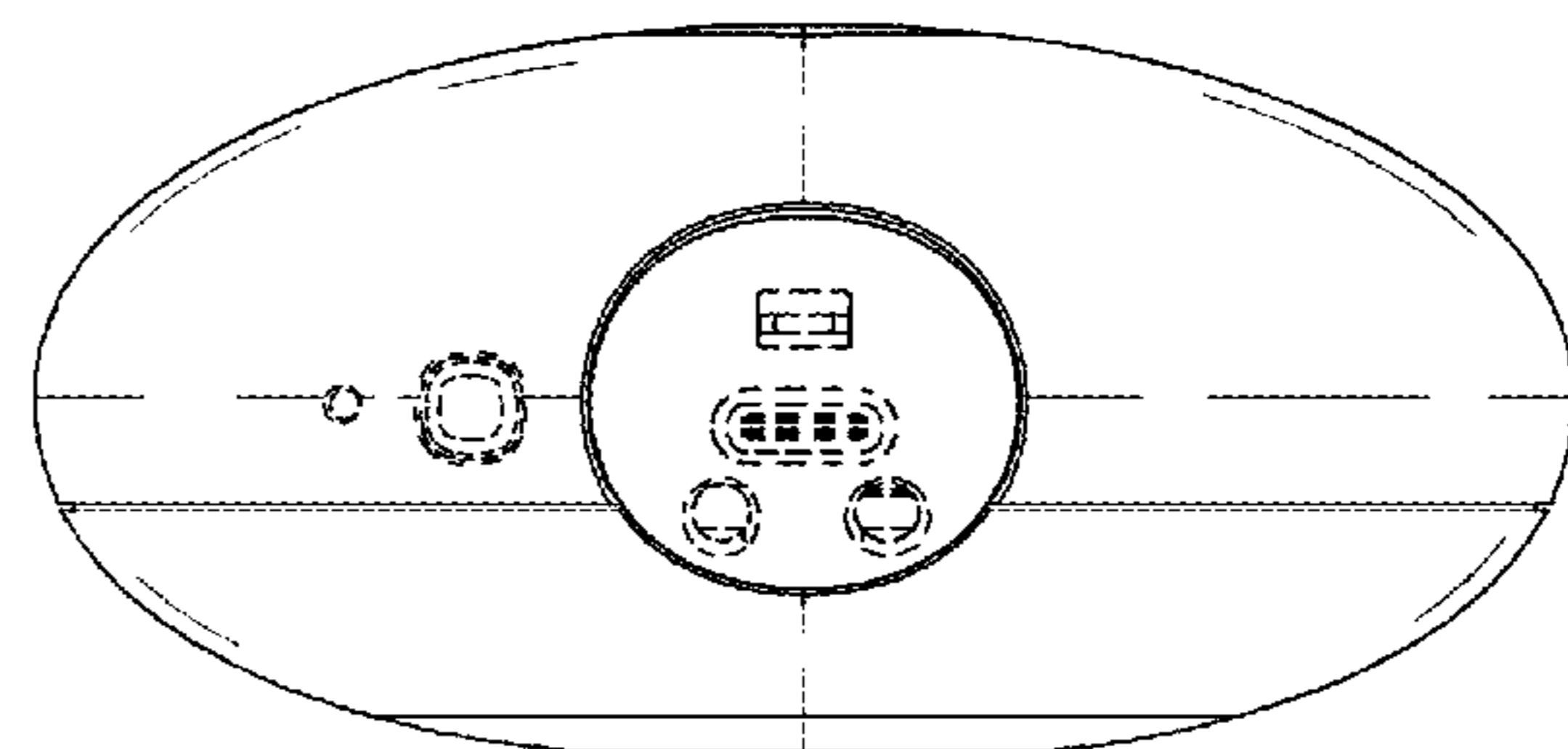
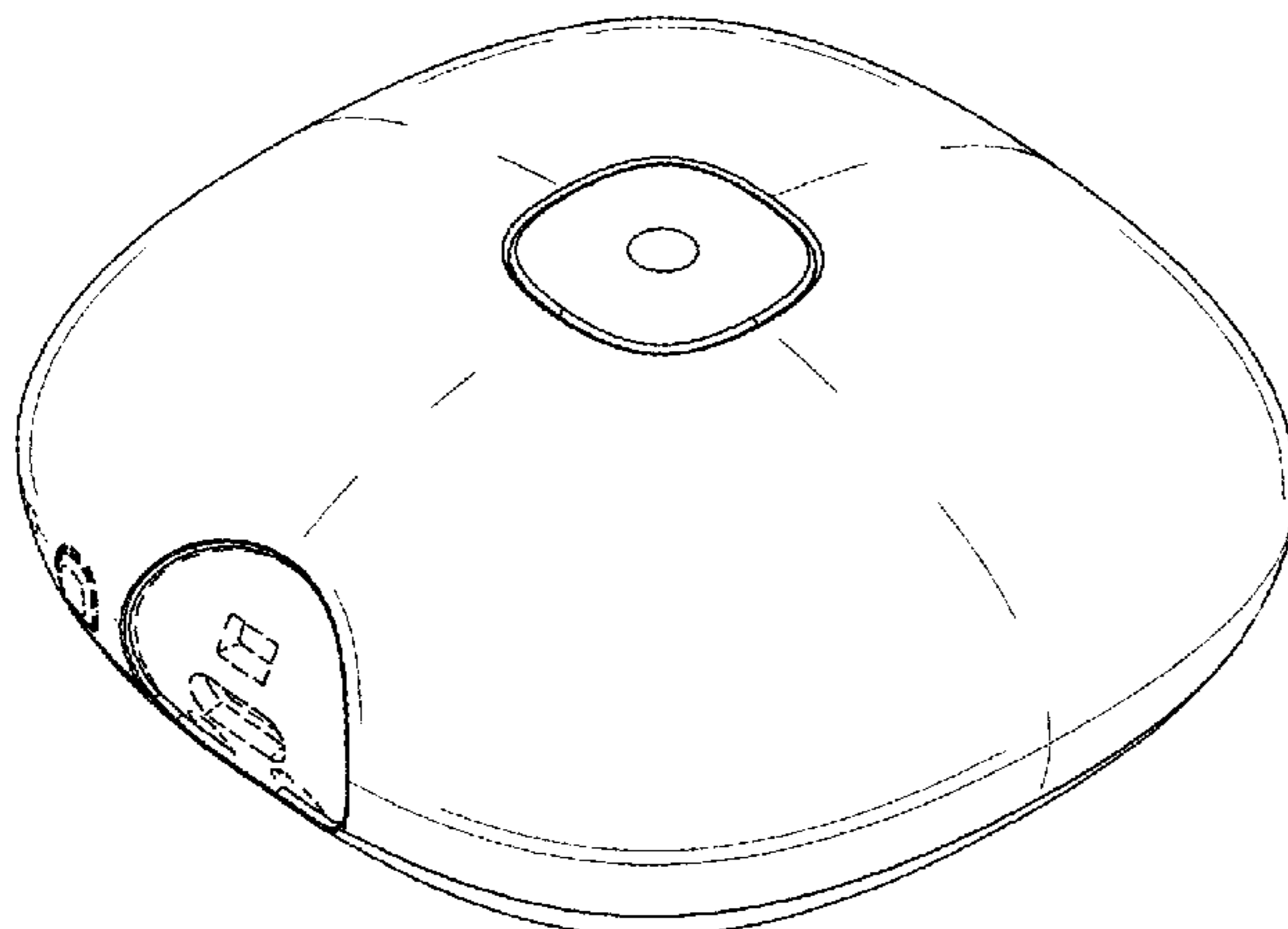
(57) **CLAIM**

The ornamental design for a monitoring camera, as shown and described.

**DESCRIPTION**

FIG. 1 is a top, rear perspective view of a monitoring camera showing our new design;  
FIG. 2 is a bottom, rear perspective view thereof;  
FIG. 3 is a bottom plan view thereof;  
FIG. 4 is a top plan view thereof;  
FIG. 5 is a right side elevation view thereof;  
FIG. 6 is a left side elevation view thereof;  
FIG. 7 is a front elevation view thereof; and,  
FIG. 8 is a rear elevation view thereof.  
The short dashed lines in the drawing views depict portions of the monitoring camera that form no part of the claimed design. The long dashed lines depict contours of the claimed design.

**1 Claim, 4 Drawing Sheets**



(56)

**References Cited**

U.S. PATENT DOCUMENTS

D692,939 S \* 11/2013 Huang ..... D16/218  
D719,153 S \* 12/2014 Lim ..... D14/356  
D724,462 S \* 3/2015 Bould ..... D10/106.2  
D733,780 S \* 7/2015 Chen ..... D16/202  
D741,932 S \* 10/2015 Huang ..... D16/202  
D742,770 S \* 11/2015 Windstrup ..... D10/104.1  
D746,709 S \* 1/2016 Heath ..... D10/104.2  
D750,992 S \* 3/2016 Perez ..... D10/104.1  
D759,012 S \* 6/2016 Golden ..... D10/50  
D759,621 S \* 6/2016 Maxwell ..... D14/130  
D768,015 S \* 10/2016 Yang ..... D10/118.2  
D771,175 S \* 11/2016 Choi ..... D16/218  
D773,948 S \* 12/2016 Schneid ..... D10/106.2  
D778,192 S \* 2/2017 Bolger ..... D10/106.2  
2014/0160349 A1 \* 6/2014 Huang ..... H04N 5/2252  
348/375  
2015/0288877 A1 10/2015 Glazer

\* cited by examiner

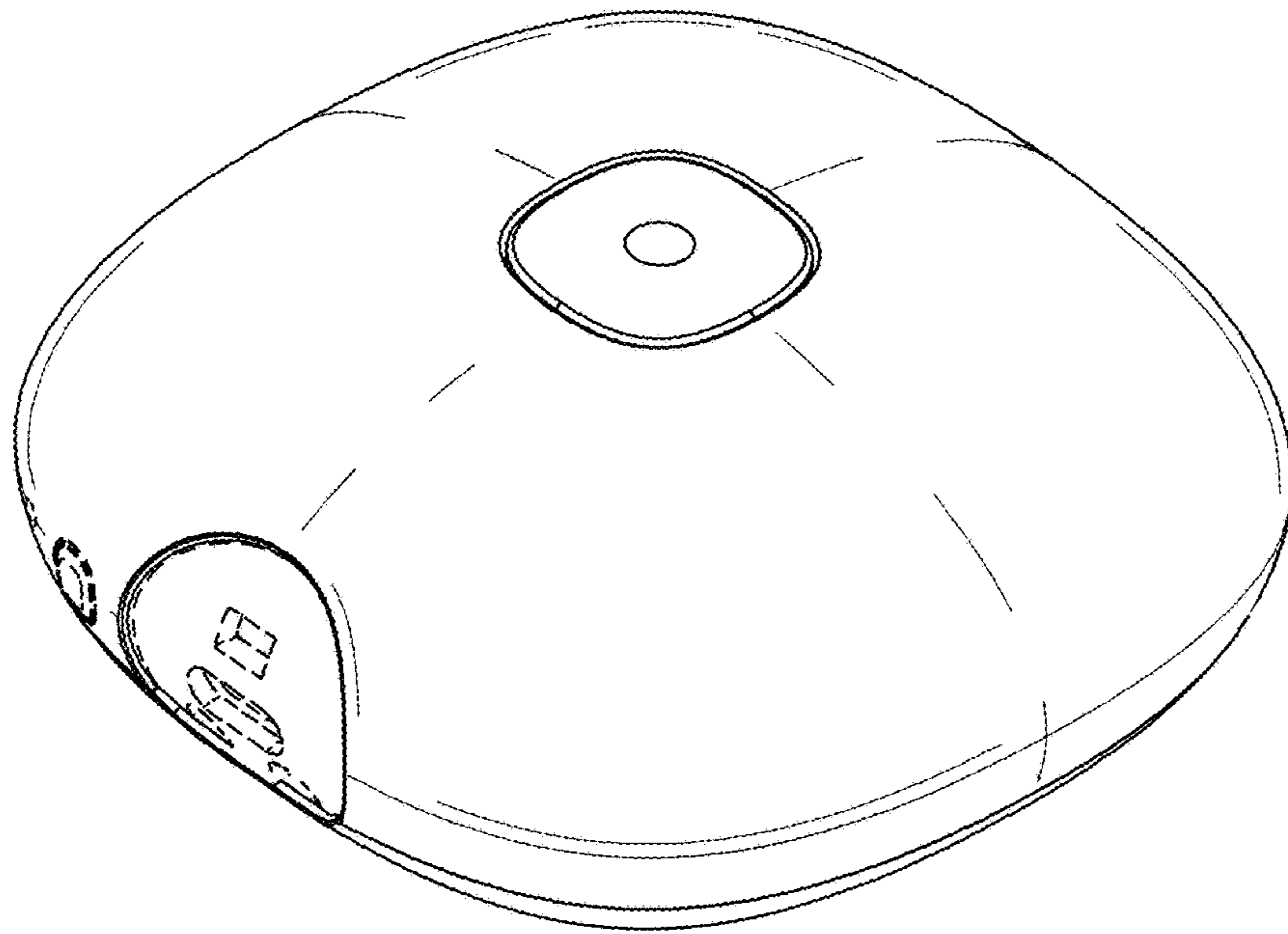


FIG. 1

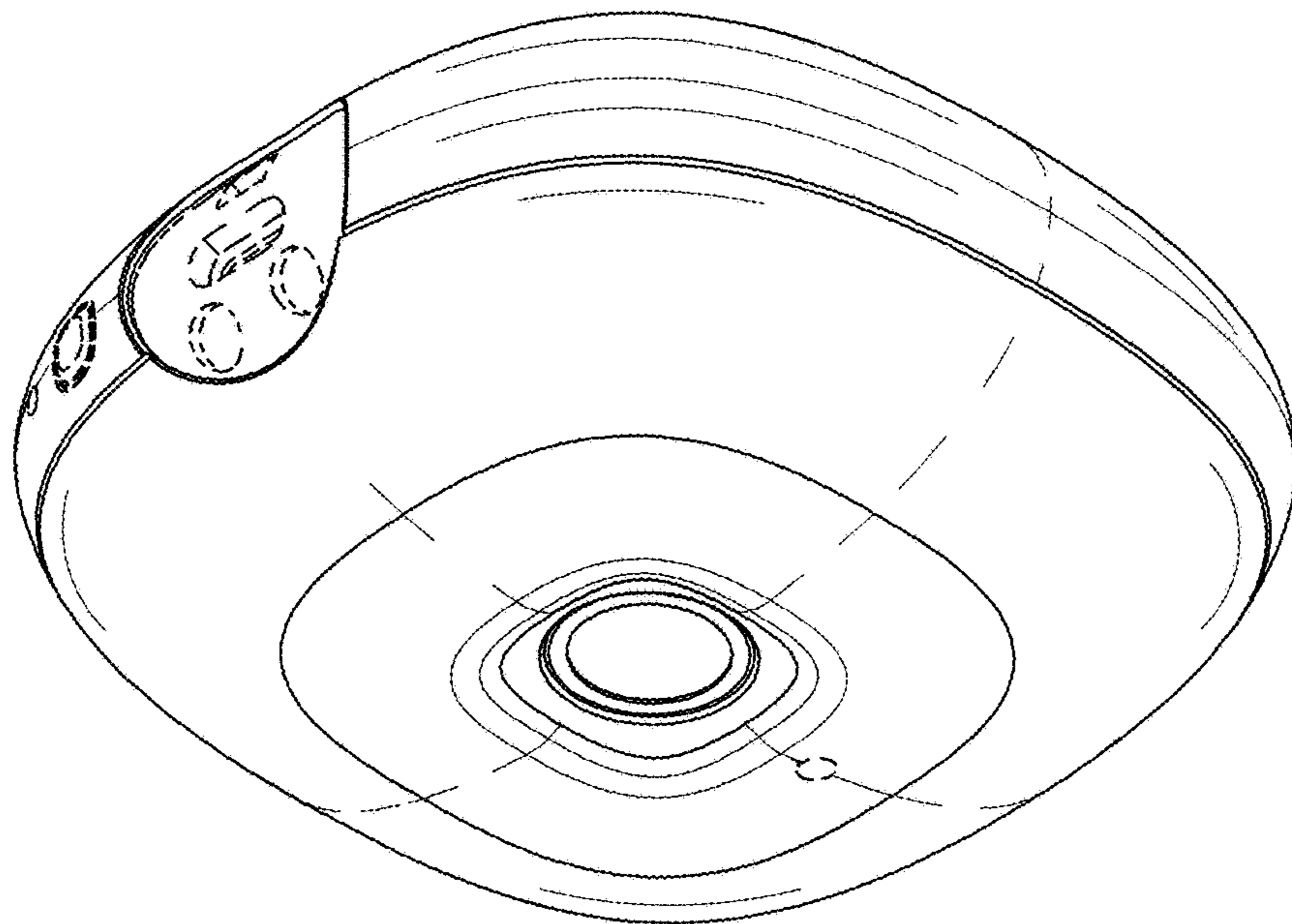


FIG. 2

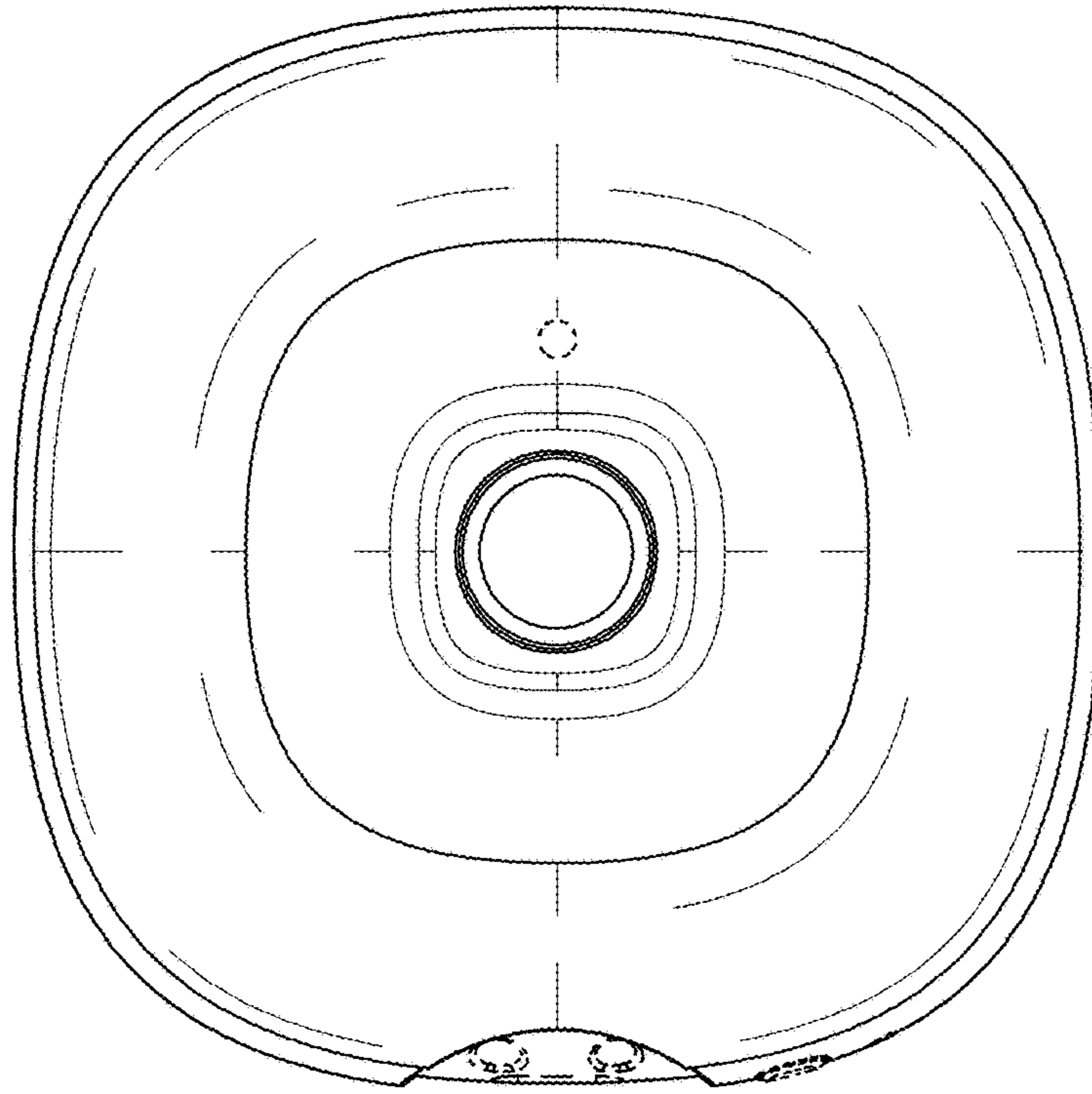


FIG. 3

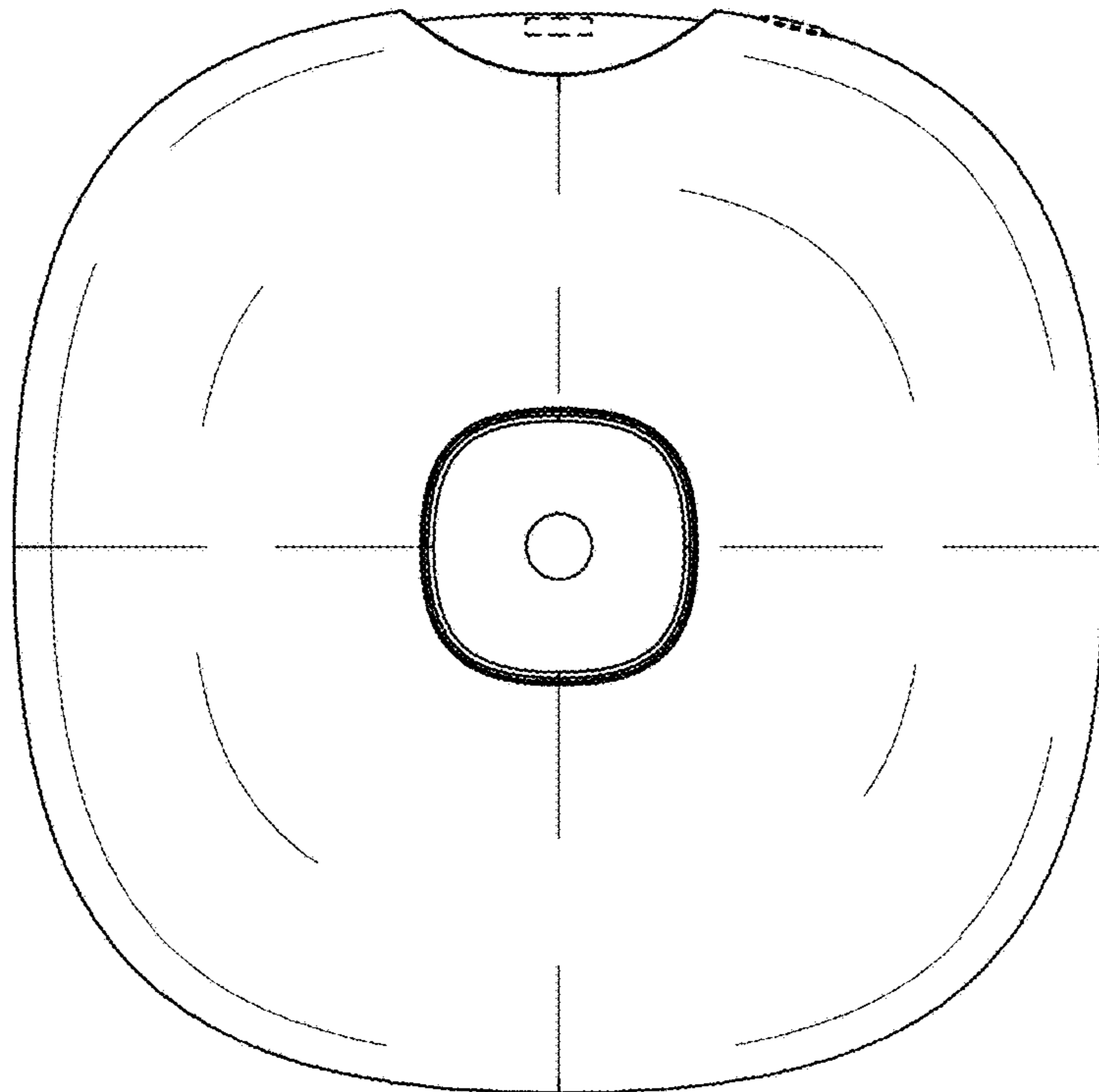


FIG. 4

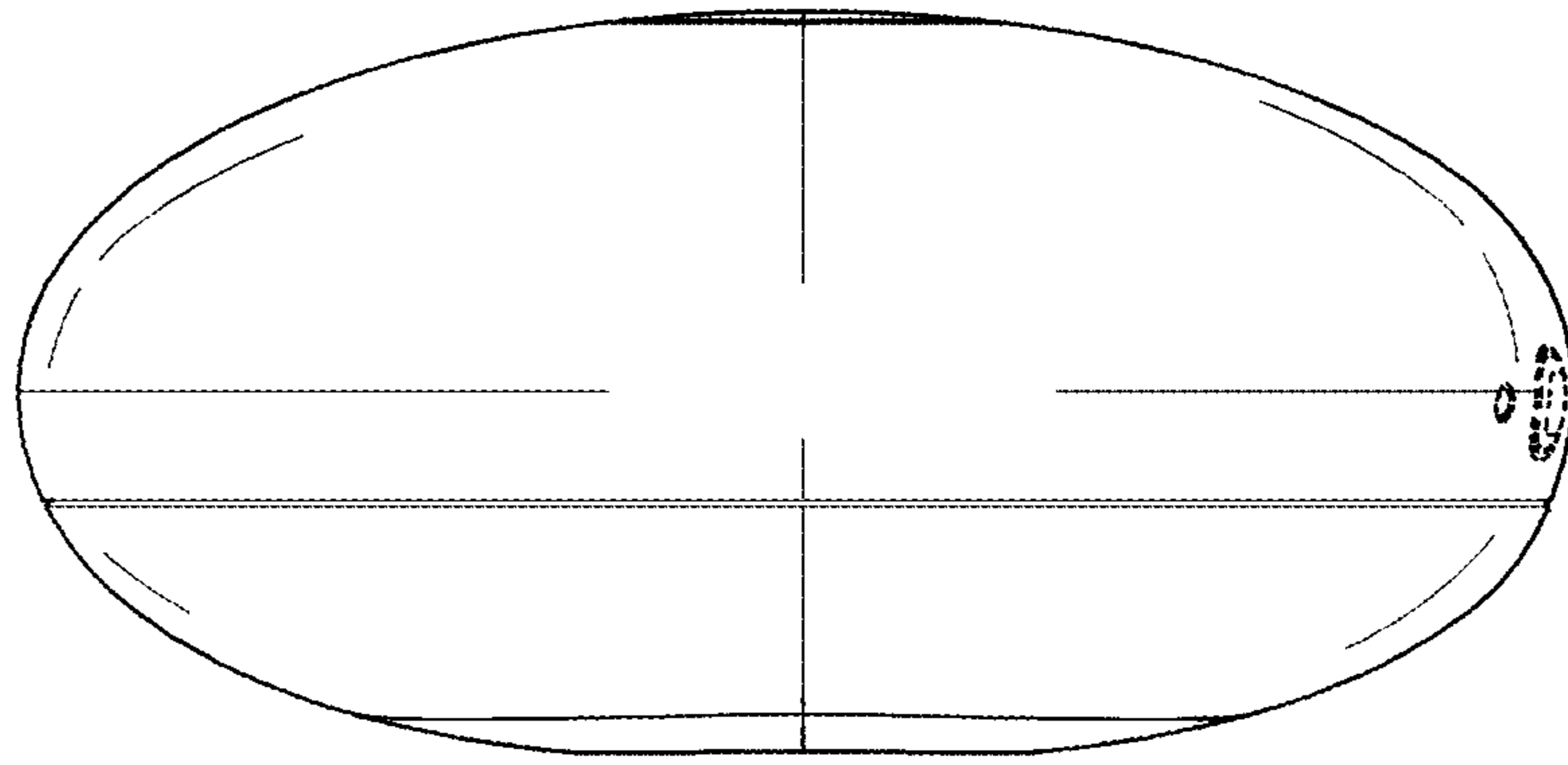


FIG. 5

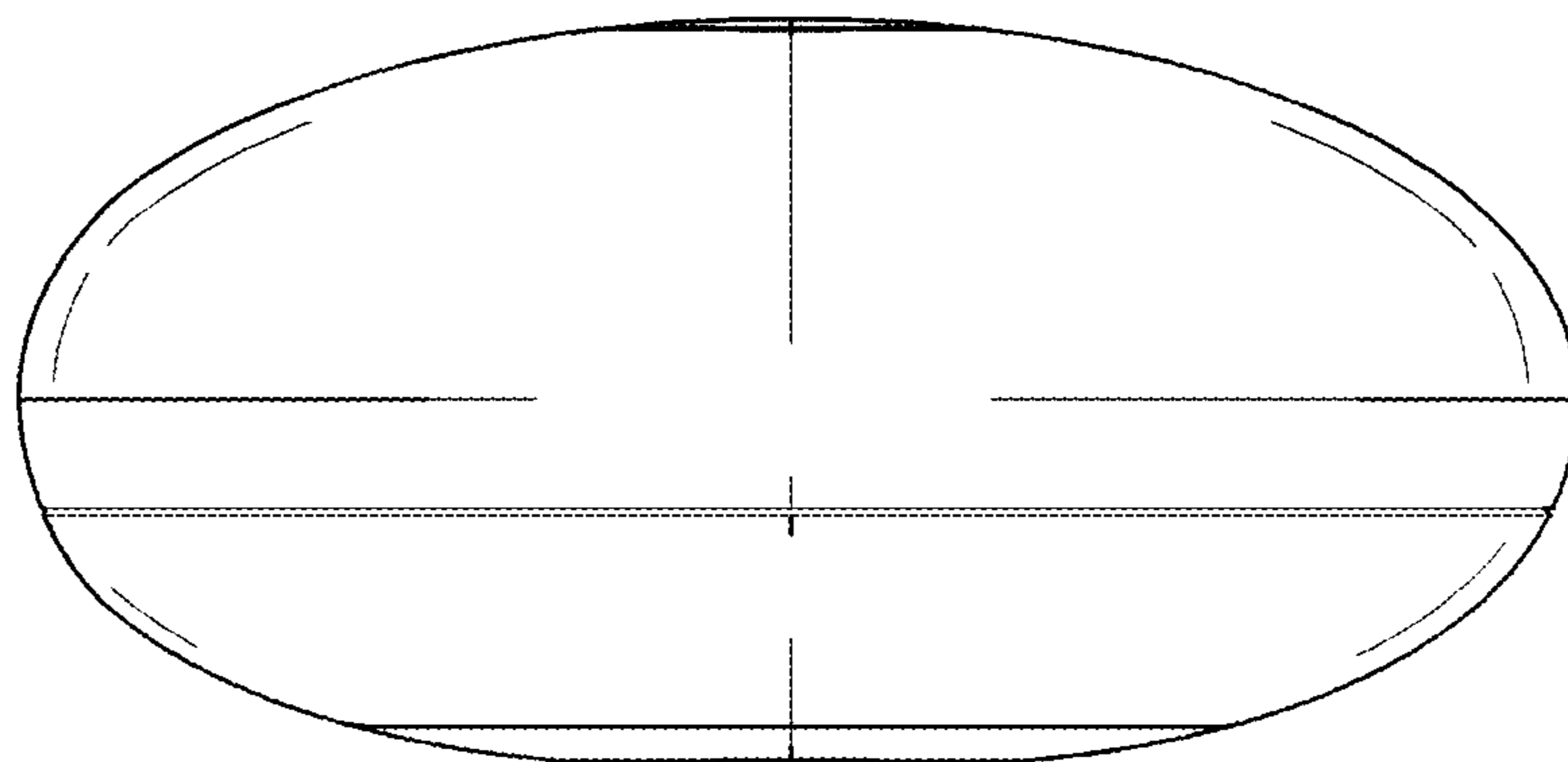


FIG. 6



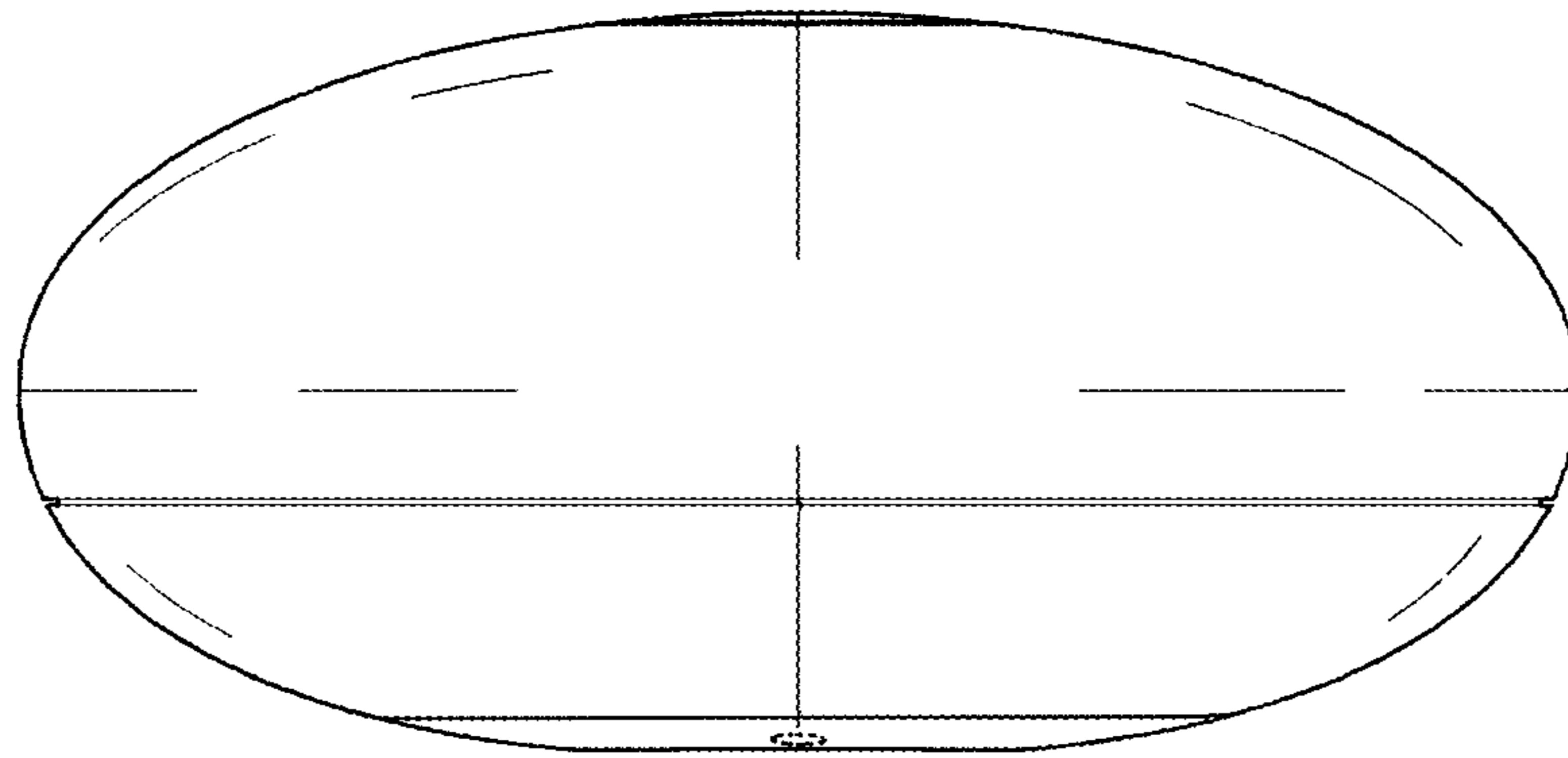


FIG. 7

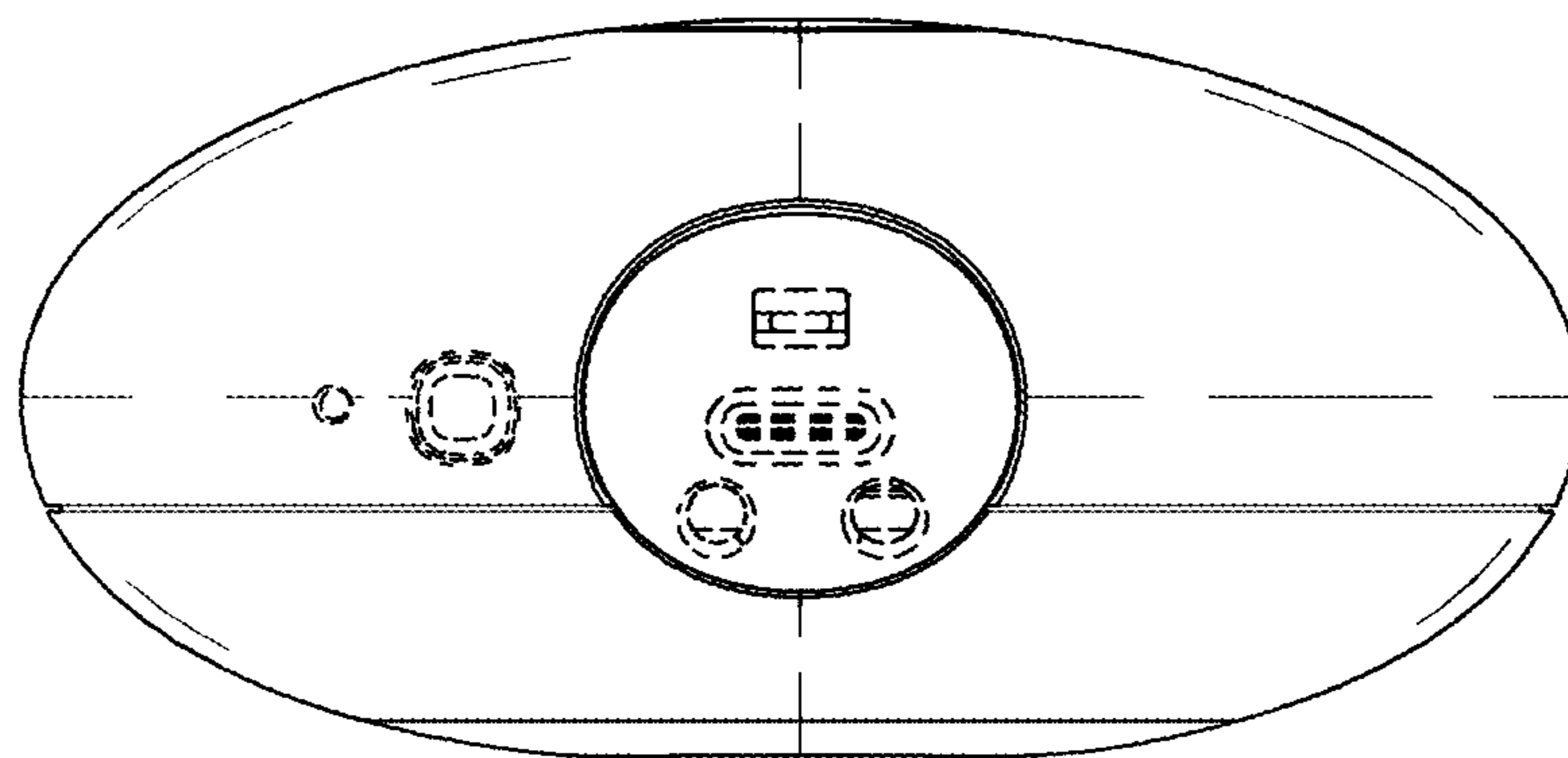


FIG. 8