



US00D803288S

(12) **United States Design Patent**
Ham et al.

(10) **Patent No.:** **US D803,288 S**

(45) **Date of Patent:** **** Nov. 21, 2017**

(54) **CAMERA RIG**

(71) Applicant: **SAMSUNG ELECTRONICS CO., LTD.**, Suwon-si (KR)

(72) Inventors: **Minki Ham**, Seoul (KR); **Woojung Moon**, Mountain View (KR); **Jinsoo Kim**, Mountain View (KR); **Pranav Mistry**, Mountain View, CA (US); **Curtis D. Aumiller**, San Jose, CA (US); **Jiawei Zhang**, Sunnyvale, CA (US)

(73) Assignee: **SAMSUNG ELECTRONICS CO., LTD.**, Suwon-si (KR)

(**) Term: **15 Years**

(21) Appl. No.: **29/562,487**

(22) Filed: **Apr. 26, 2016**

(51) **LOC (10) Cl.** **16-01**

(52) **U.S. Cl.**
USPC **D16/202; D16/207**

(58) **Field of Classification Search**
USPC D16/200–208, 210, 214, 218, 219, 242;
D10/65, 70, 74, 106.6; 348/373–376;
358/906; 396/419, 427, 428, 535,
396/539–541
CPC G03B 15/03; G03B 17/02; G03B 17/04;
G03B 17/56; G03B 19/04; H04N 5/2251;
H04N 5/2252; H04N 5/2253; H04N
5/2254; H04N 2101/00
See application file for complete search history.

(56) **References Cited**

U.S. PATENT DOCUMENTS

D424,086 S * 5/2000 Choi D16/202
D475,385 S * 6/2003 Christianson D16/202
D505,439 S * 5/2005 Liiv D16/202

D565,070 S * 3/2008 Kim D16/202
D604,352 S * 11/2009 Carlesso D16/245
D630,955 S * 1/2011 McAlpine D10/74
D645,071 S * 9/2011 Hinkel D16/203
D664,178 S * 7/2012 Hinkel D16/203
D729,861 S * 5/2015 Huang D16/203
D734,380 S * 7/2015 Tzarnotzky D16/207
2001/0043737 A1 * 11/2001 Rogina G06K 9/209
382/154
2013/0215322 A1 * 8/2013 Haler H04N 5/232
348/373
2015/0348580 A1 * 12/2015 van Hoff G11B 19/20
348/38

OTHER PUBLICATIONS

U.S. Appl. No. 29/543,755, Mistry et al., filed Oct. 28, 2015.

* cited by examiner

Primary Examiner — Phillip S Hyder

Assistant Examiner — Ramzi Almatrahi

(74) *Attorney, Agent, or Firm* — Sughrue Mion, PLLC

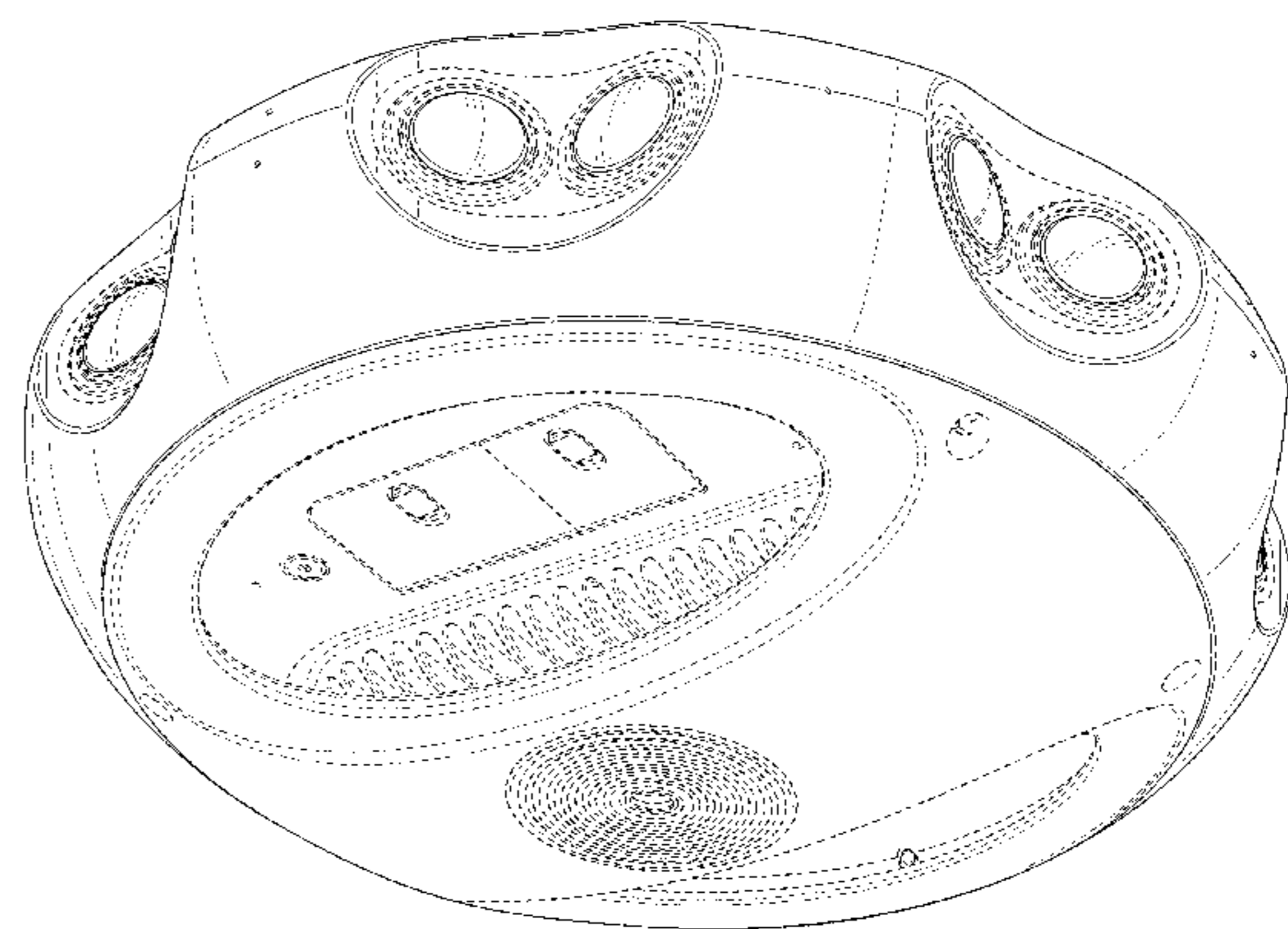
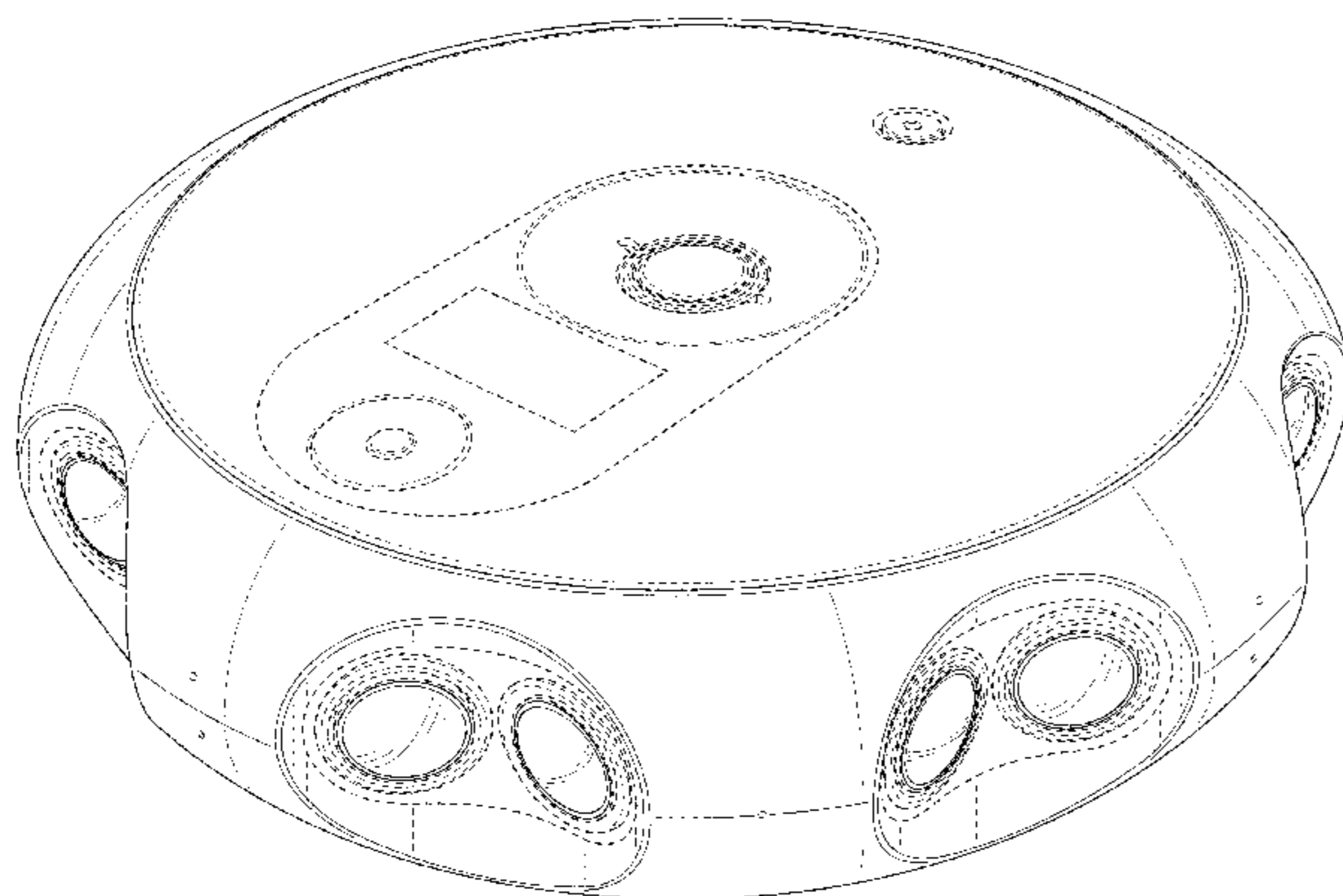
(57) **CLAIM**

The ornamental design for a camera rig, as shown and described.

DESCRIPTION

FIG. 1 is an enlarged top front perspective view of a camera rig showing our new design;
FIG. 2 is an enlarged bottom rear perspective view thereof;
FIG. 3 is a front view thereof;
FIG. 4 is a rear view thereof;
FIG. 5 is a left view thereof;
FIG. 6 is a right view thereof;
FIG. 7 is a top view thereof; and,
FIG. 8 is a bottom view thereof.
The broken lines depict portions of a camera rig in which the design is embodied that form no part of the claimed design.

1 Claim, 8 Drawing Sheets



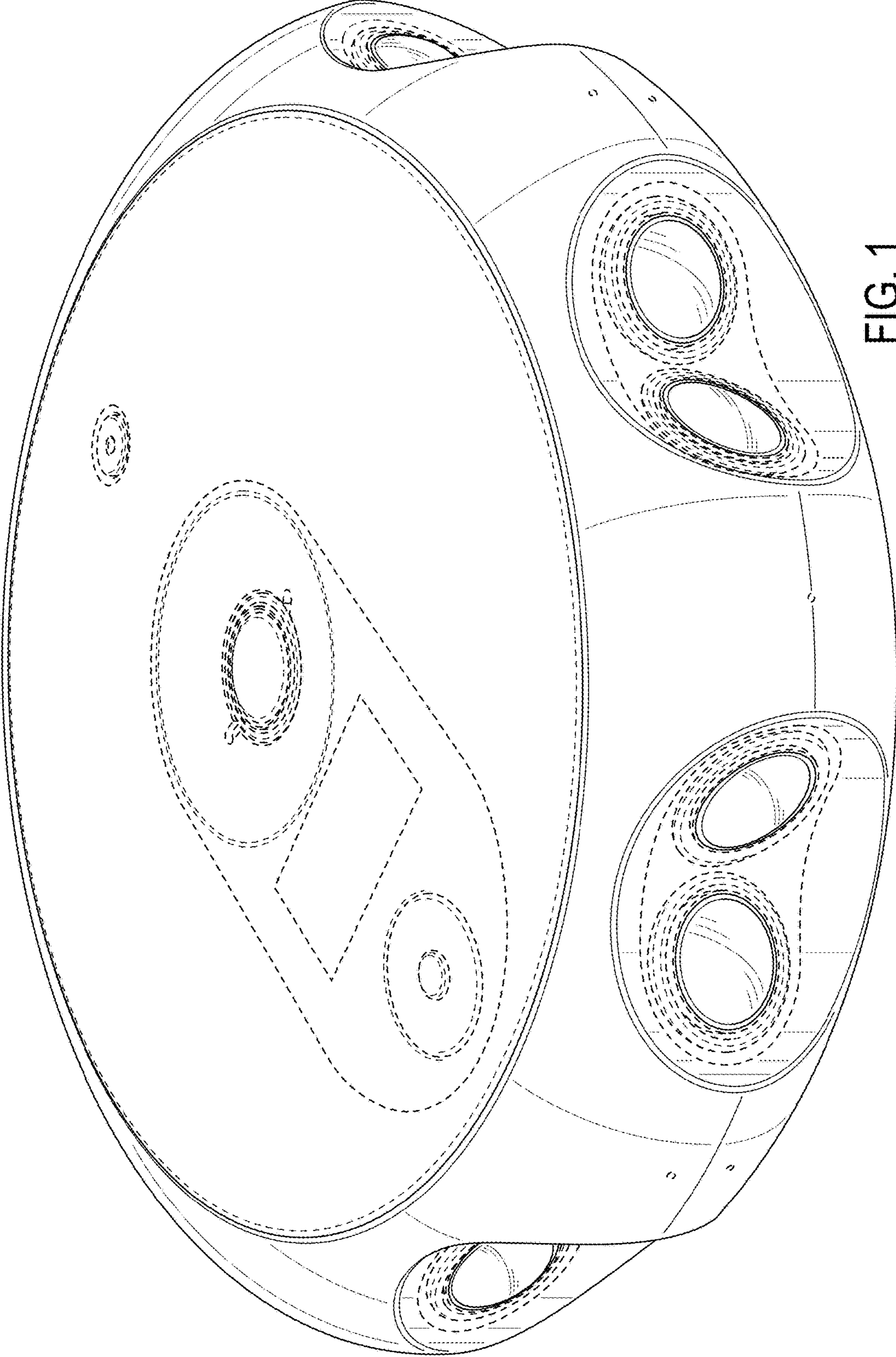


FIG. 1

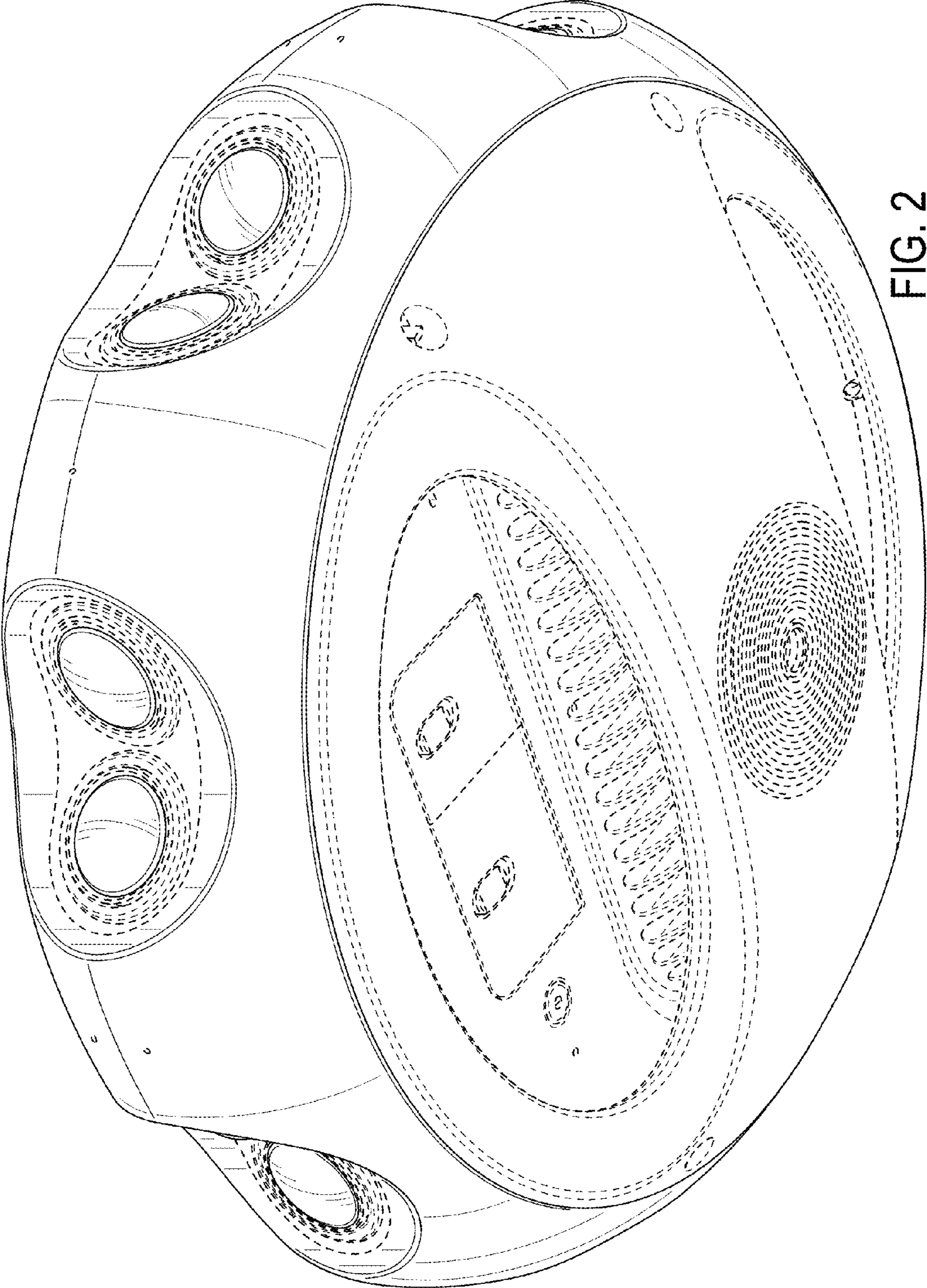


FIG. 2

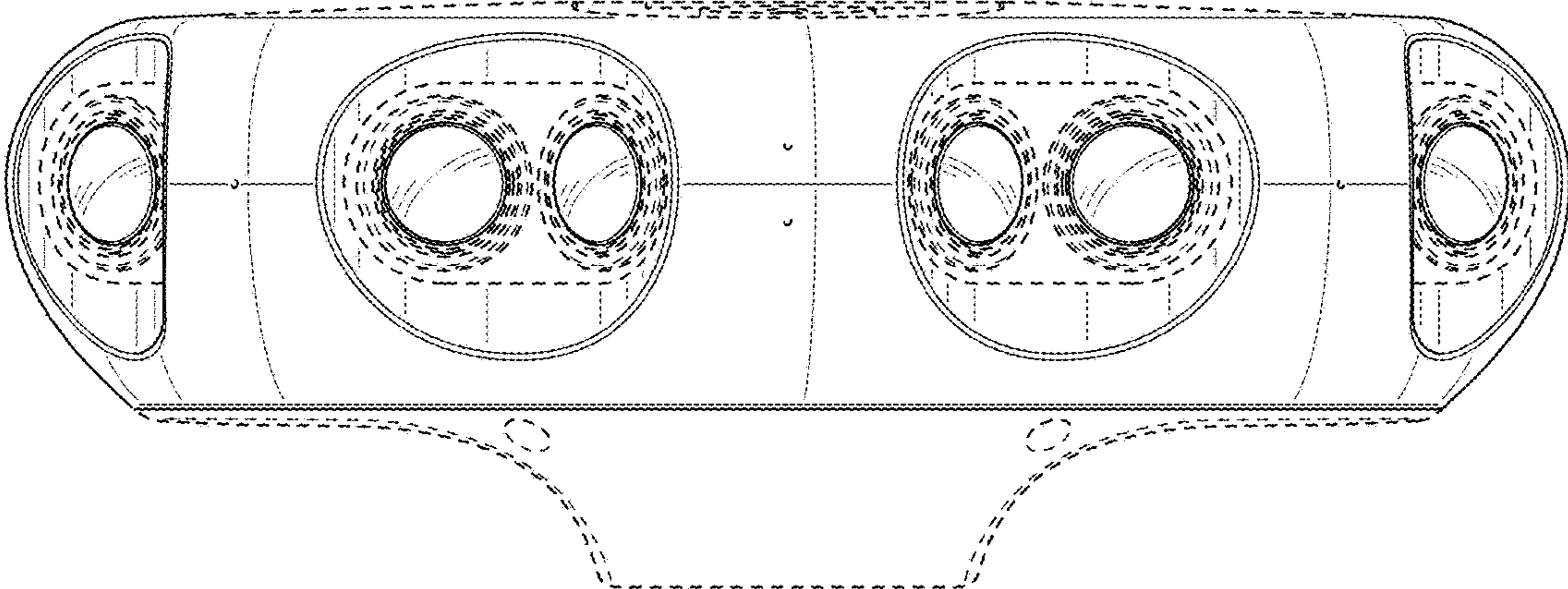


FIG. 3

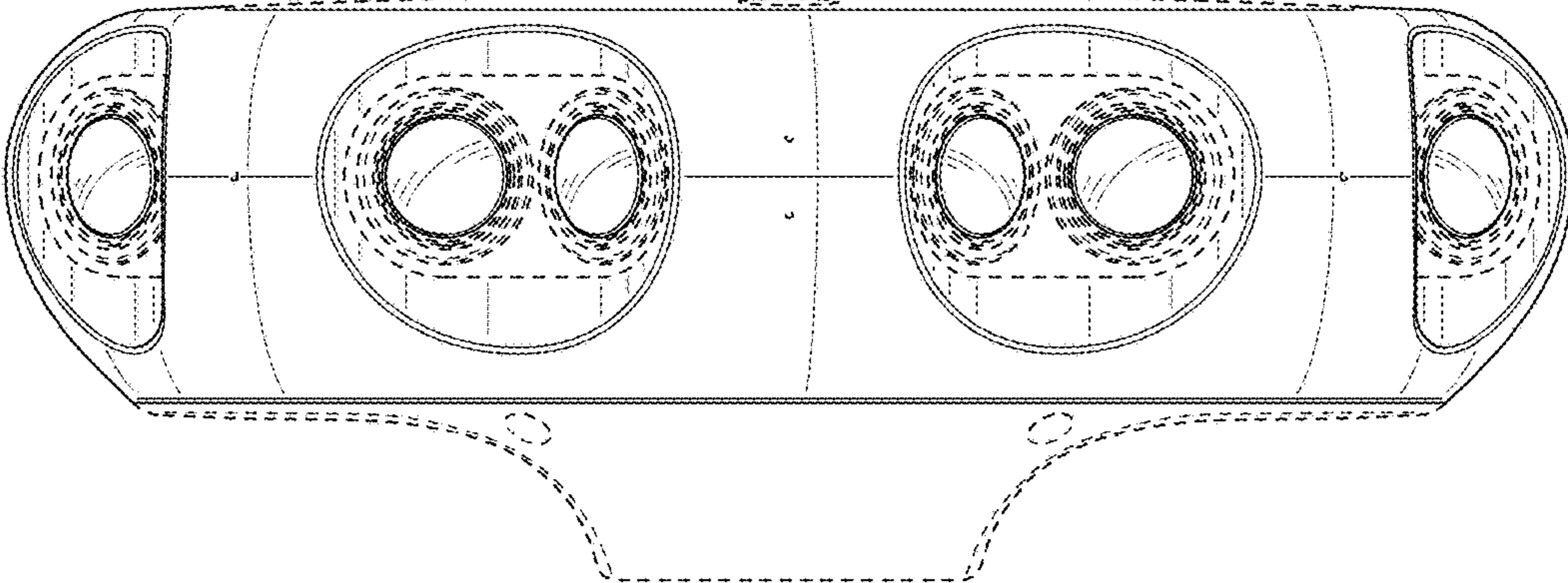


FIG. 4

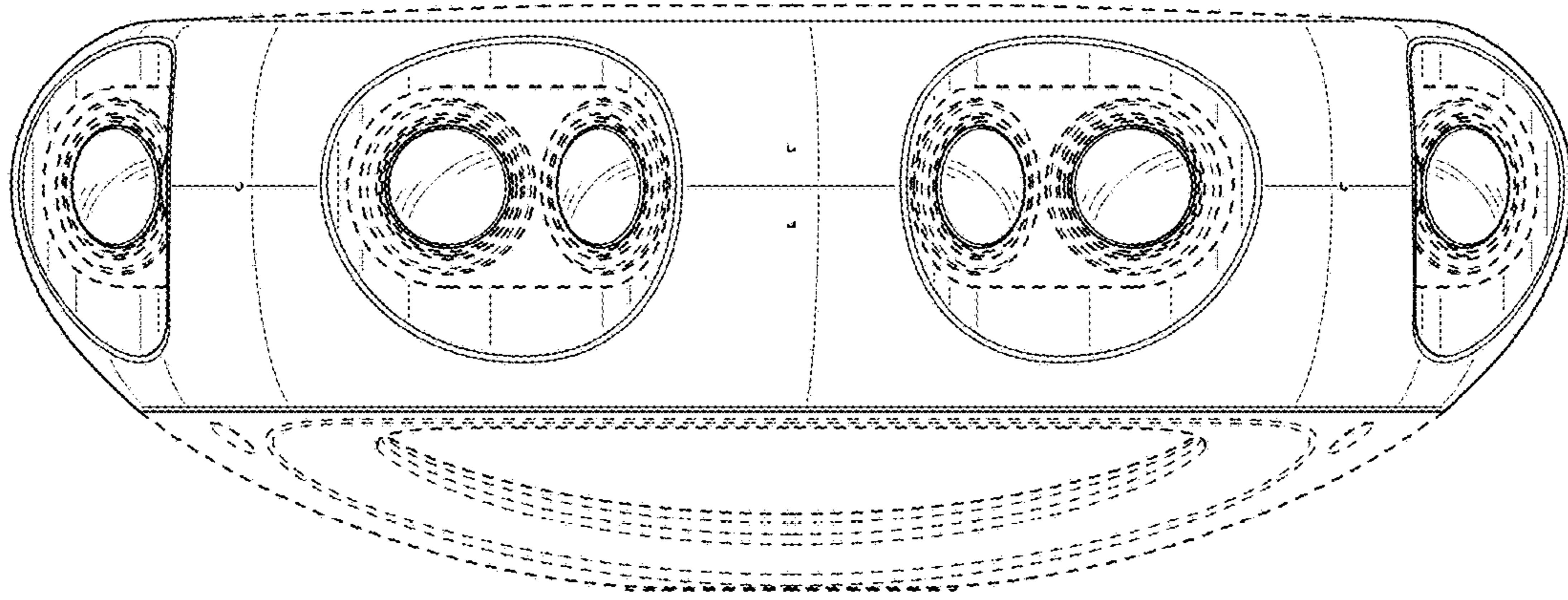


FIG. 5

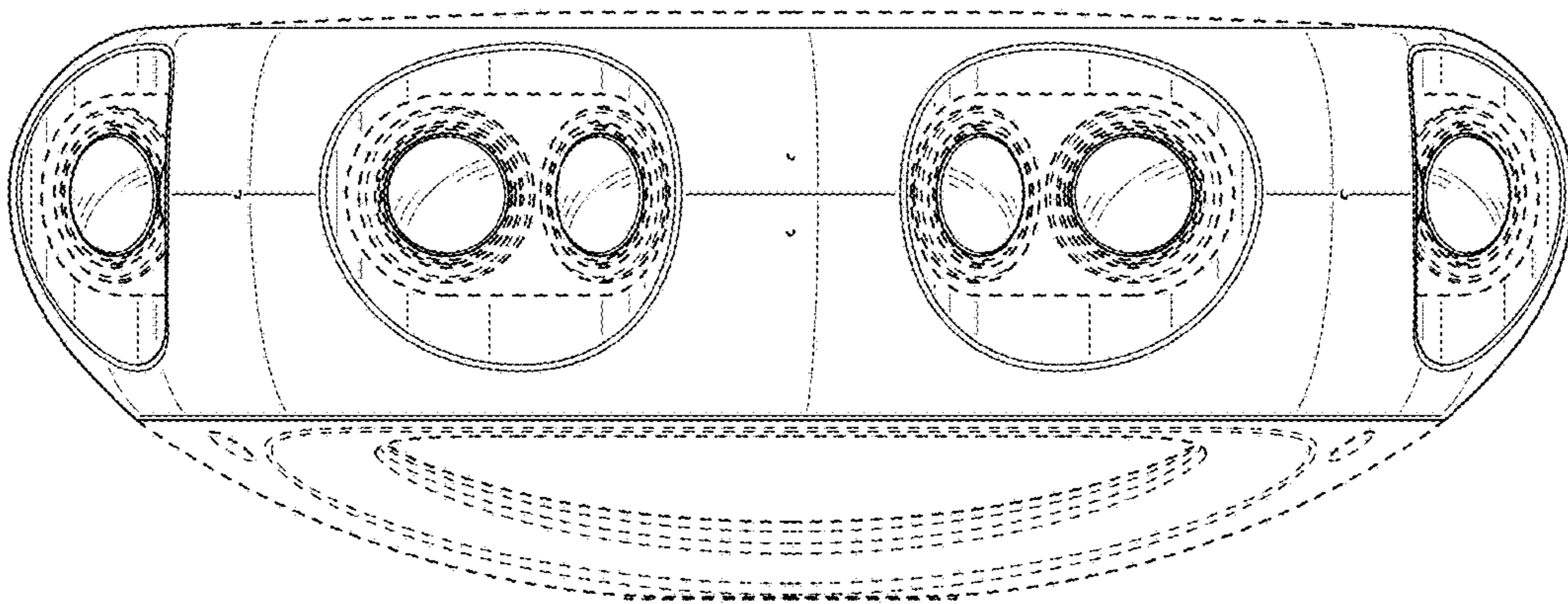


FIG. 6

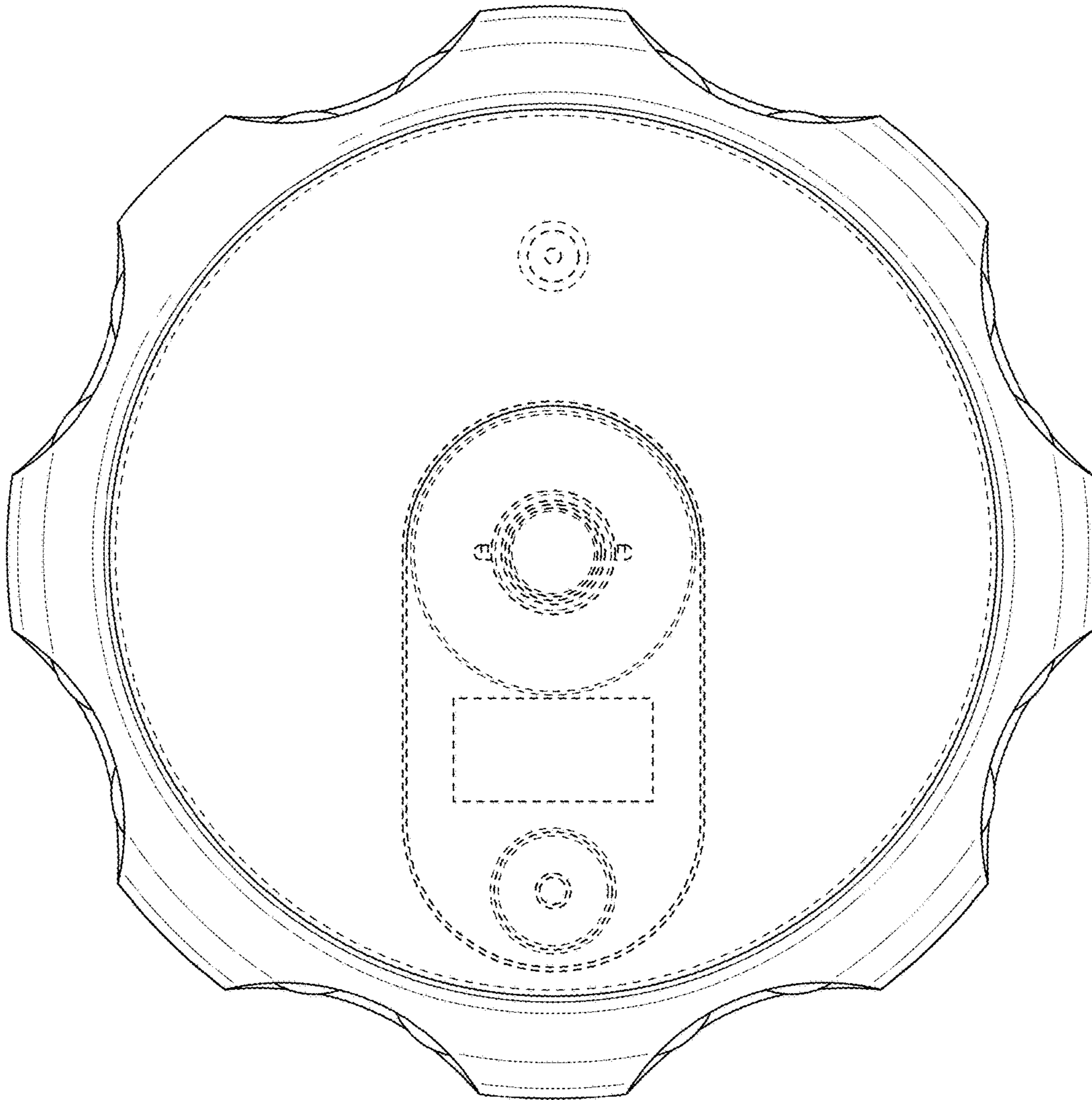


FIG. 7

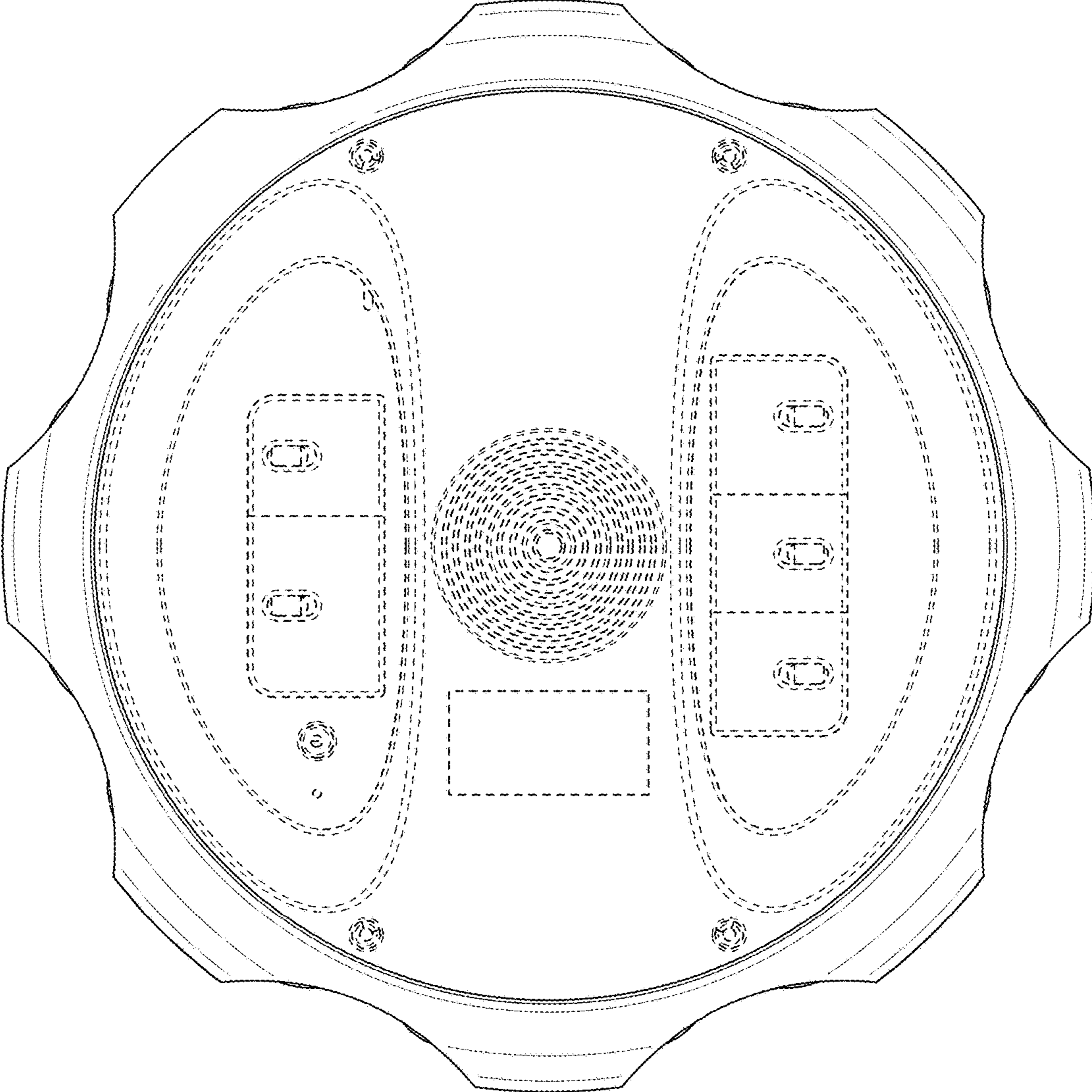


FIG. 8