



US00D803287S

(12) **United States Design Patent** (10) **Patent No.:** **US D803,287 S**  
**Whetsel et al.** (45) **Date of Patent:** **\*\* Nov. 21, 2017**

(54) **MAGNIFIED DISPLAY JAR**  
(71) Applicants: **Sam Whetsel**, Charleston, SC (US);  
**Daniel Einhorn**, Charleston, SC (US)  
(72) Inventors: **Sam Whetsel**, Charleston, SC (US);  
**Daniel Einhorn**, Charleston, SC (US)  
(\*\*) Term: **15 Years**  
(21) Appl. No.: **29/560,252**  
(22) Filed: **Apr. 5, 2016**  
(51) **LOC (10) Cl.** ..... **26-03**  
(52) **U.S. Cl.**  
USPC ..... **D16/135**  
(58) **Field of Classification Search**  
USPC ..... D16/134, 135, 136; D26/24, 51, 56, 61,  
D26/63, 93, 106, 107; D30/117;  
D7/509, 511; D9/503, 504  
CPC ..... G02B 25/02; G02B 25/002; G02B 25/04  
See application file for complete search history.

D398,712 S \* 9/1998 Benton ..... D26/20  
D468,636 S \* 1/2003 Weinstein ..... D9/418  
D504,542 S \* 4/2005 Noh ..... D28/76  
D570,648 S \* 6/2008 Bodum ..... D7/509  
D571,610 S \* 6/2008 Bodum ..... D7/397  
D580,466 S \* 11/2008 Pola ..... D16/135  
D599,168 S \* 9/2009 Alviar ..... D7/510  
D645,750 S \* 9/2011 Lee ..... D9/445  
D665,108 S \* 8/2012 Rein ..... D26/10  
D695,931 S \* 12/2013 Kittredge, III ..... D26/22  
D699,112 S \* 2/2014 Jung ..... D28/76  
D713,100 S \* 9/2014 Salgueiro ..... D30/105  
D716,099 S \* 10/2014 Farber ..... D24/197  
D727,172 S \* 4/2015 Rosella ..... D9/504  
D733,967 S \* 7/2015 Schlatter ..... D28/85  
D744,781 S \* 12/2015 Rummel ..... D7/511

\* cited by examiner

*Primary Examiner* — Sheryl Lane  
*Assistant Examiner* — Calvin E Vansant  
(74) *Attorney, Agent, or Firm* — Finch Paolino, LLC;  
Gregory Finch

(57) **CLAIM**

The ornamental design for a magnified display jar, as shown and described.

(56) **References Cited**

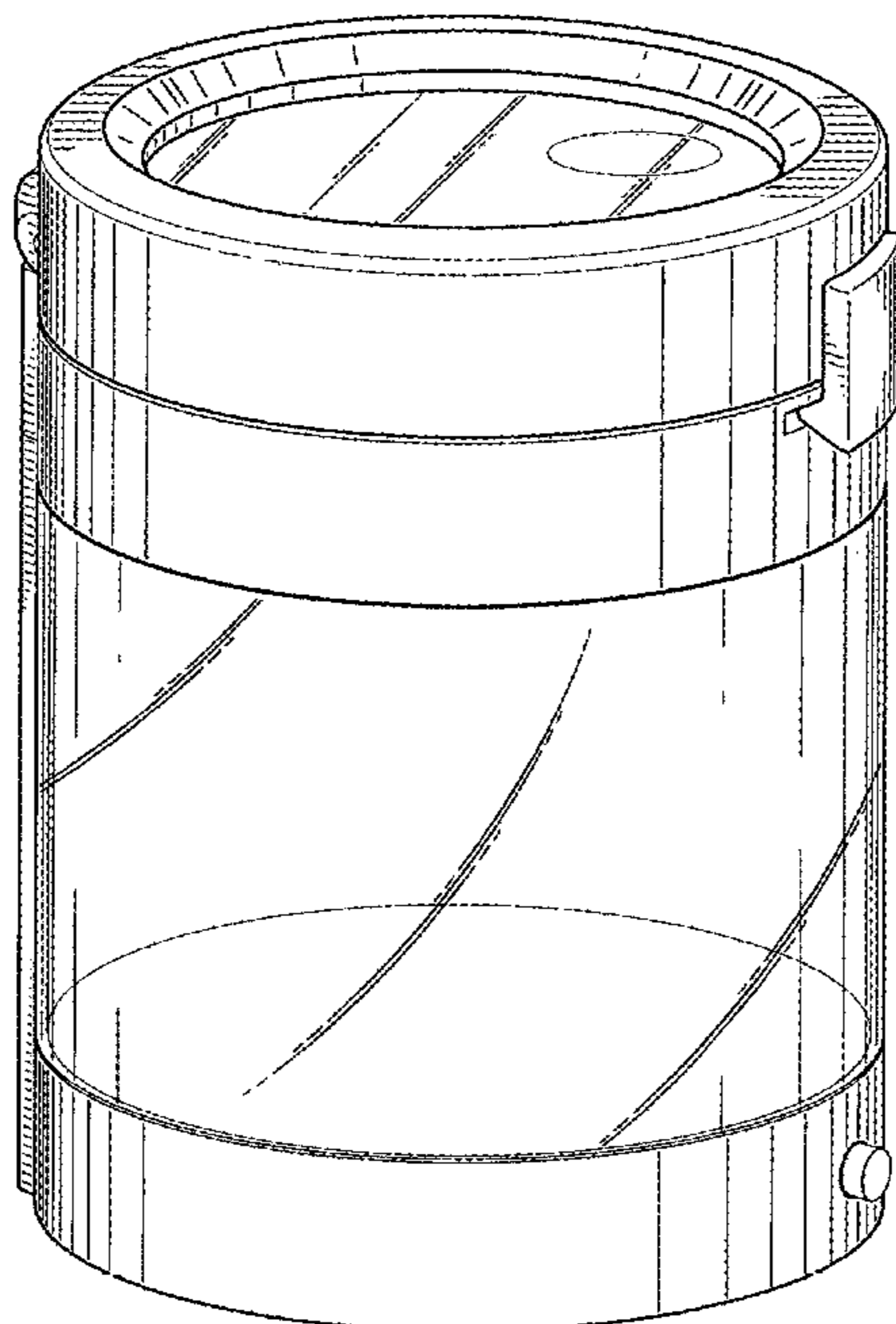
U.S. PATENT DOCUMENTS

3,410,635 A \* 11/1968 Lockwood ..... G02B 21/0008  
359/804  
3,656,840 A \* 4/1972 Smith ..... G02B 27/06  
359/804  
4,040,724 A \* 8/1977 Klingler ..... G02B 25/002  
359/804  
D248,373 S \* 7/1978 Allen ..... D7/511  
D289,143 S \* 4/1987 Guillaume ..... D9/445  
D320,311 S \* 10/1991 Kuhn ..... D3/200  
D322,753 S \* 12/1991 Sussman ..... D11/152  
D323,674 S \* 2/1992 Winslow ..... D19/62  
D351,314 S \* 10/1994 Sokolski ..... D7/511  
D390,002 S \* 2/1998 Brizard ..... D27/189

**DESCRIPTION**

FIG. 1 is an isometric view of the magnified display jar embodying the present ornamental design;  
FIG. 2 is left side view thereof;  
FIG. 3 is a right side view thereof;  
FIG. 4 is a front view thereof;  
FIG. 5 is a rear view thereof;  
FIG. 6 is a top plan view thereof;  
FIG. 7 is a bottom plan view thereof; and,  
FIG. 8 is an isometric view thereof with the lid open.

**1 Claim, 8 Drawing Sheets**



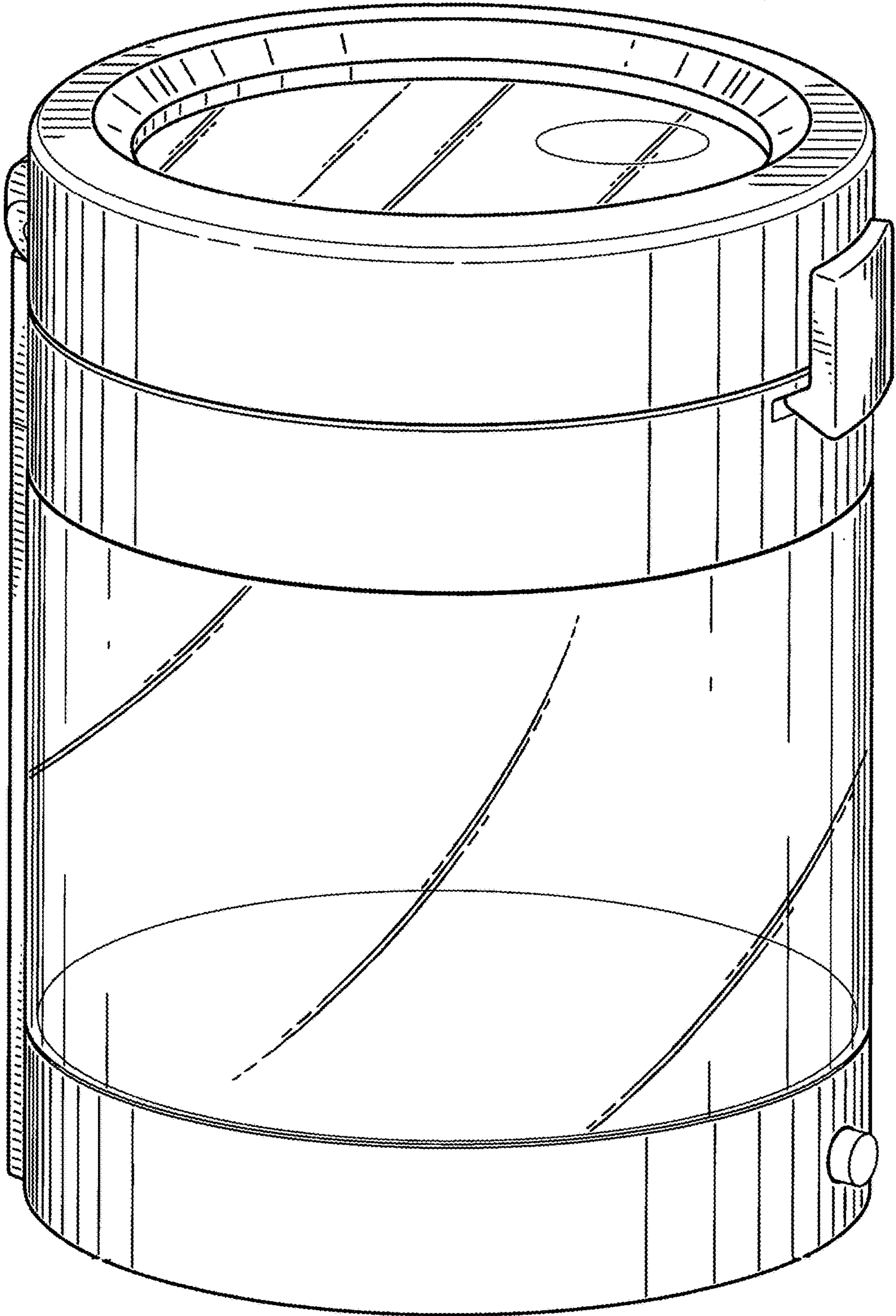


FIG. 1

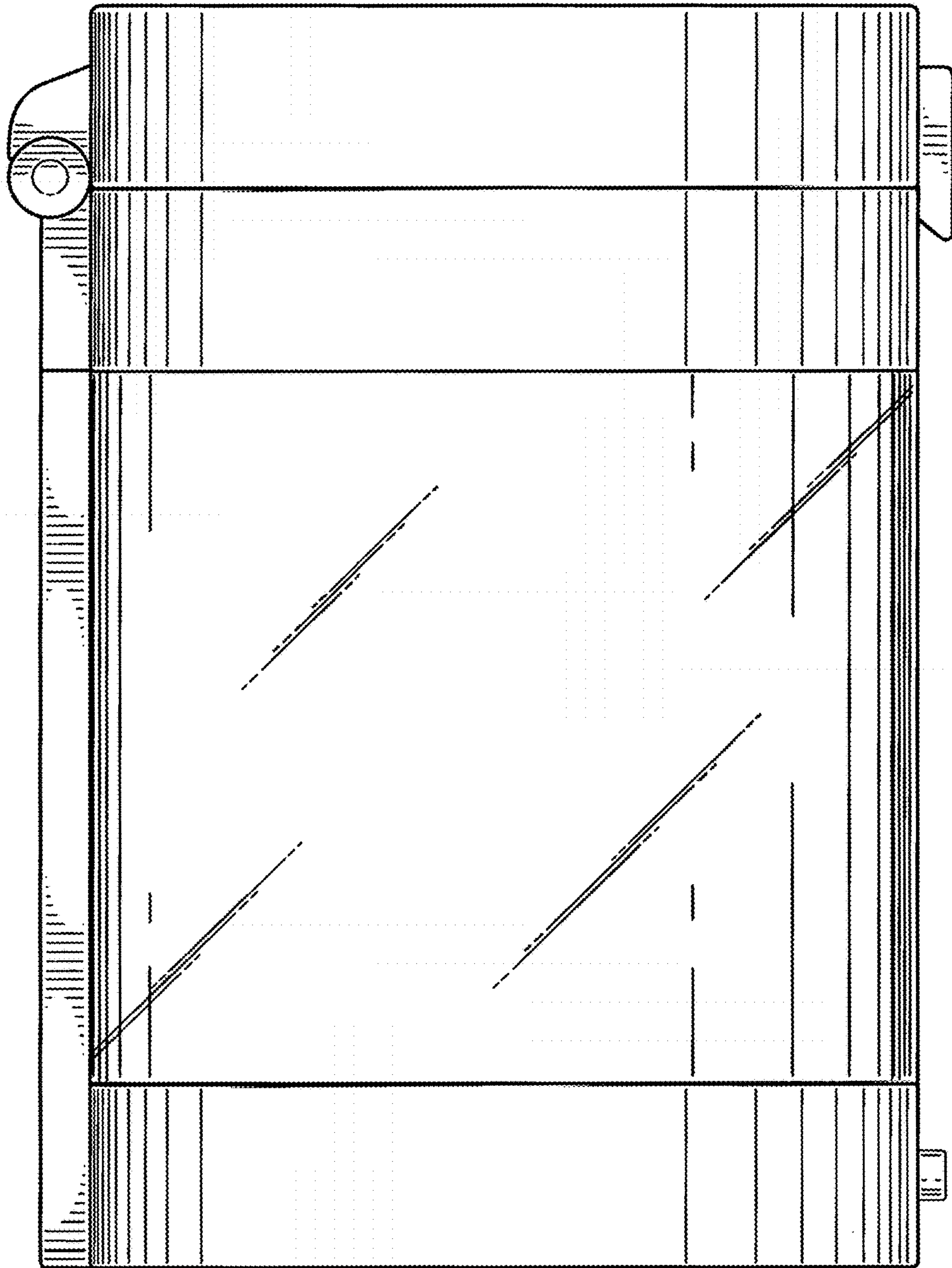


FIG. 2

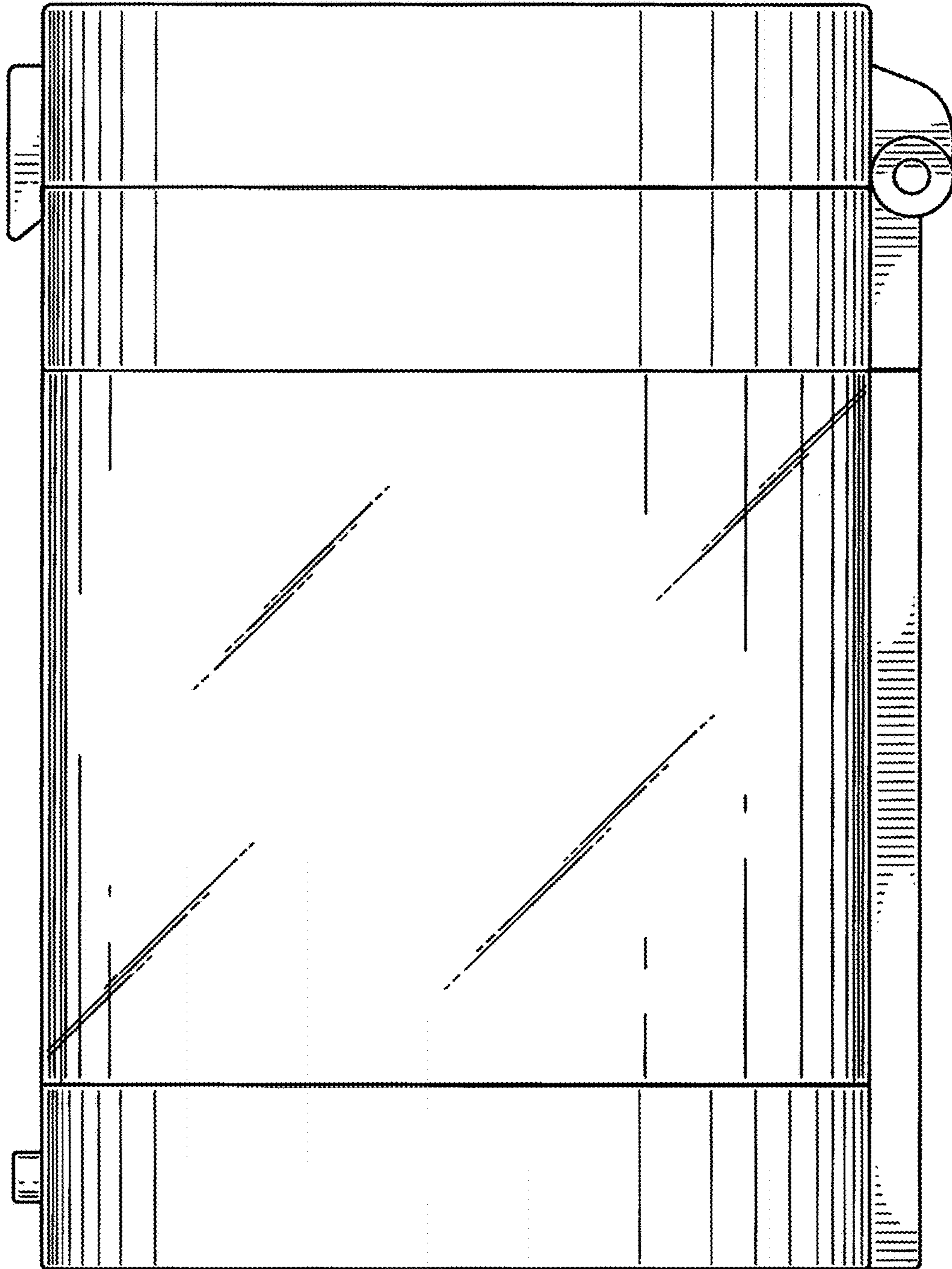


FIG. 3

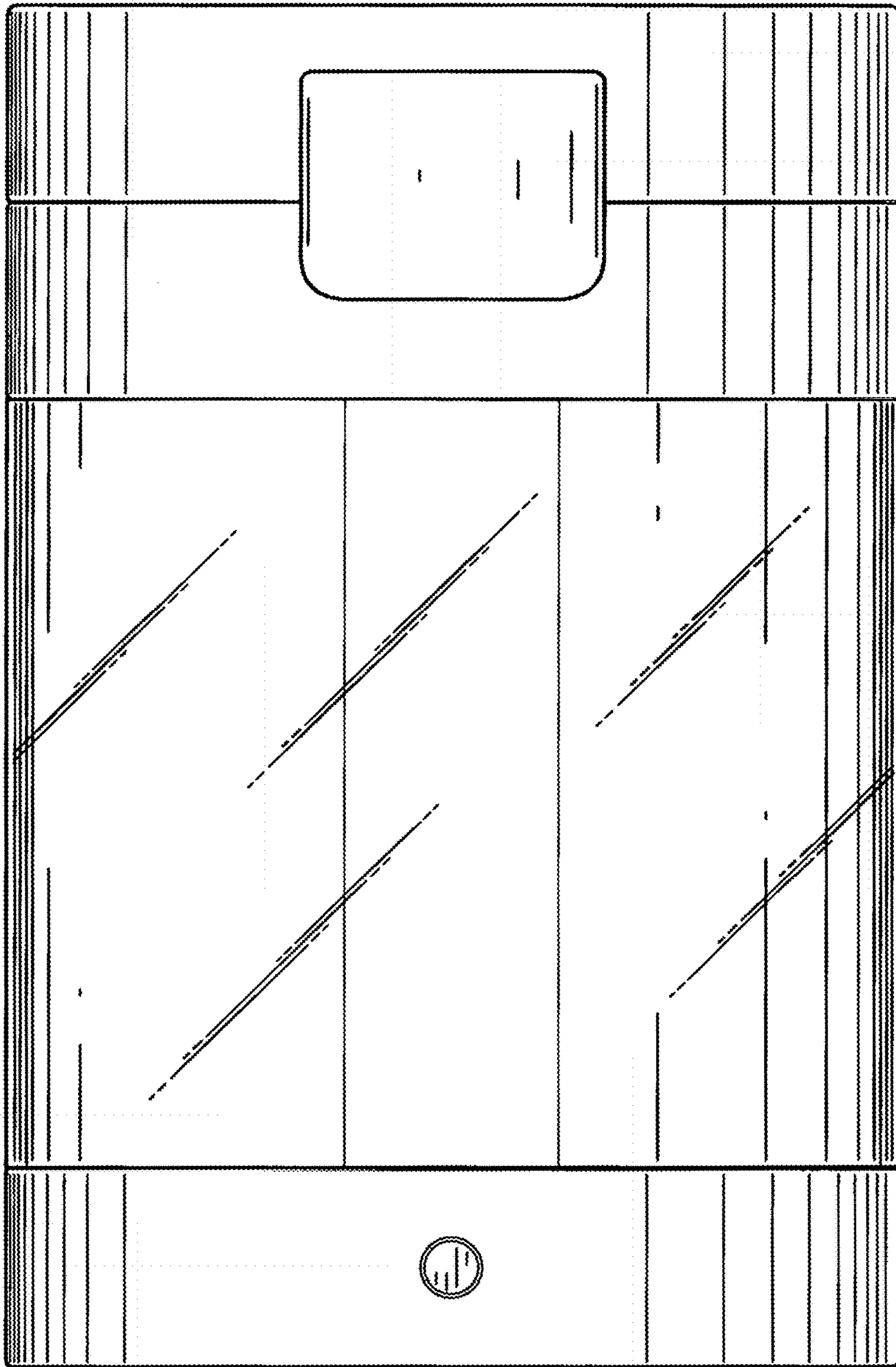


FIG. 4

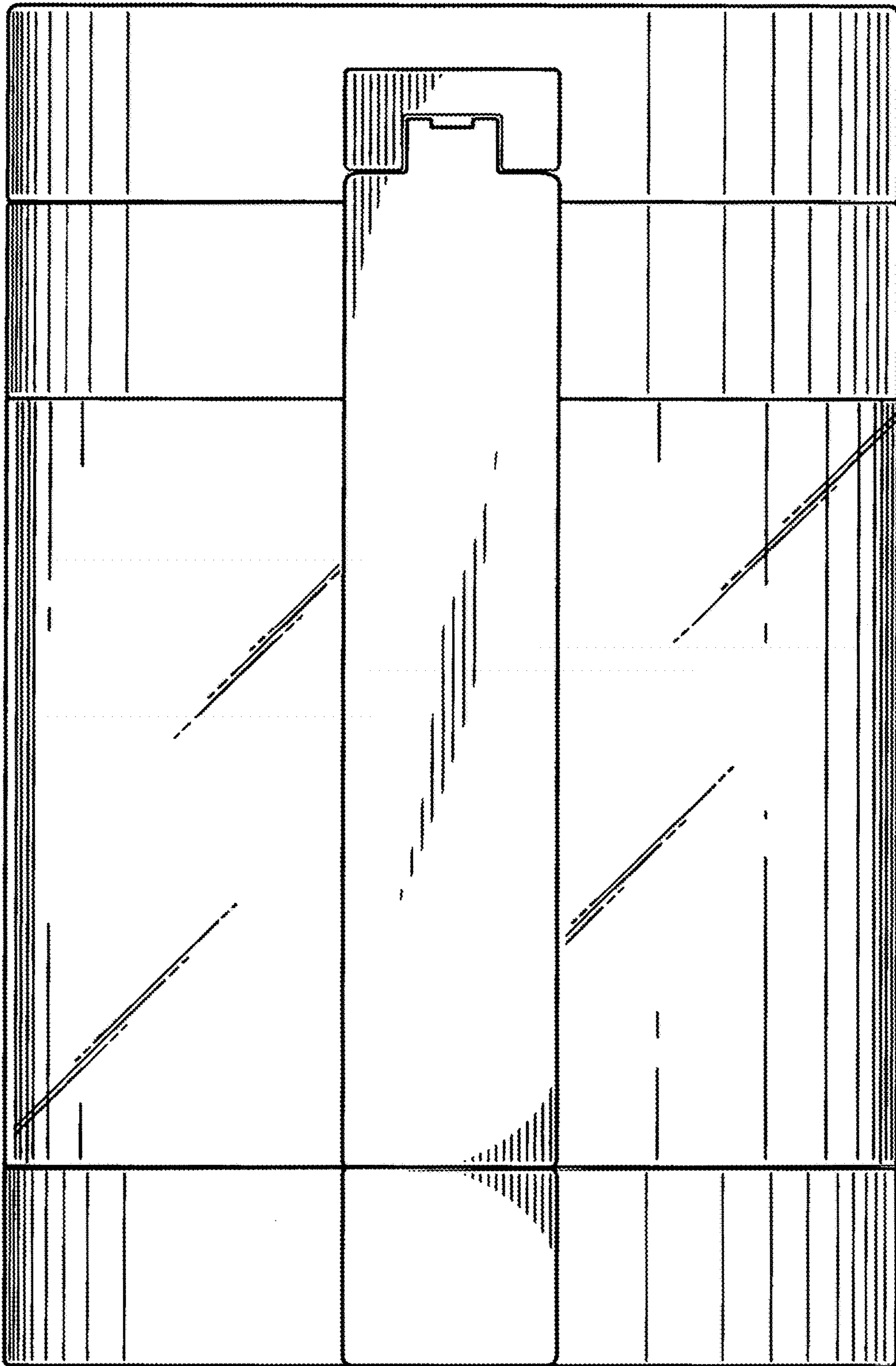


FIG. 5

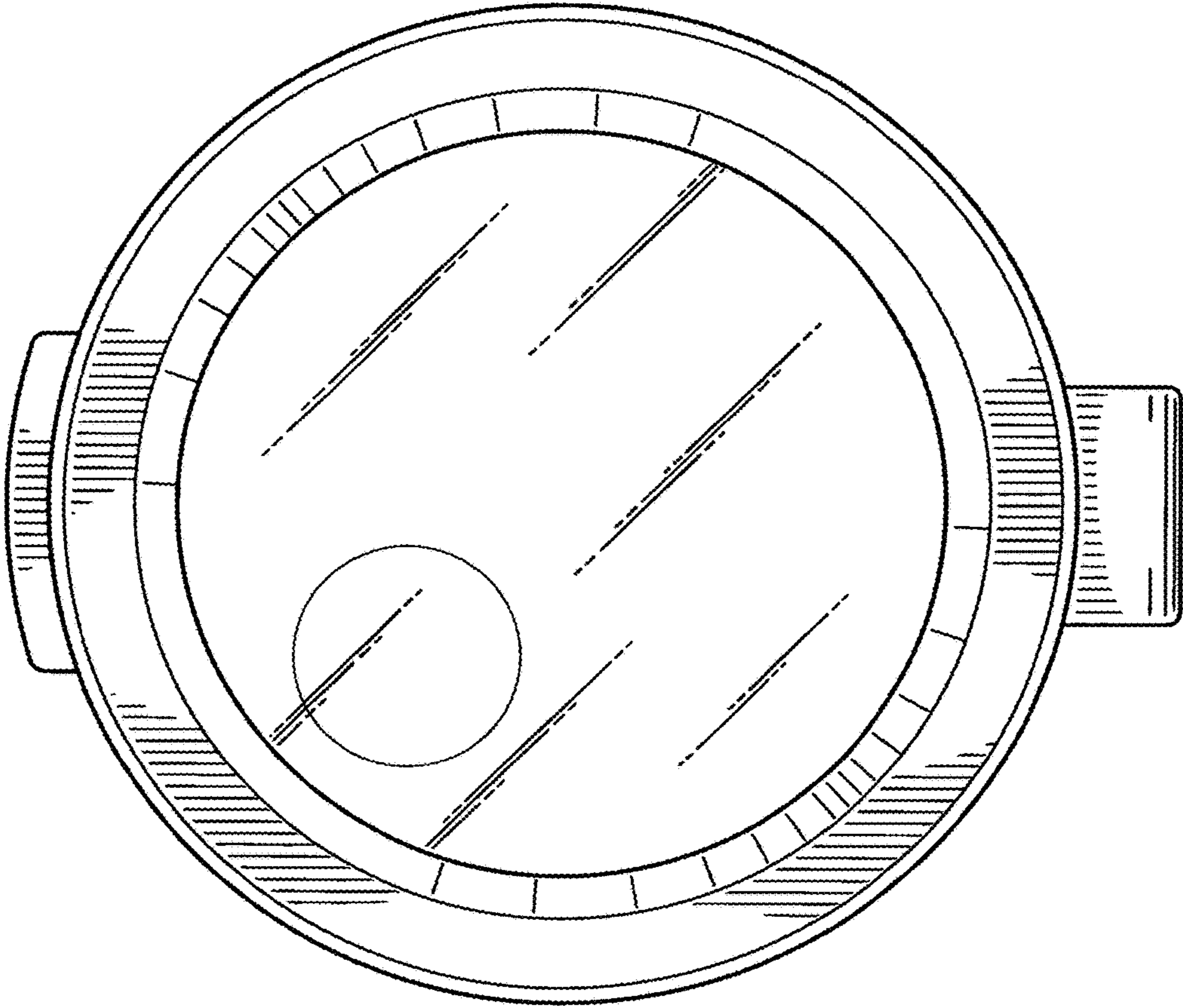


FIG. 6

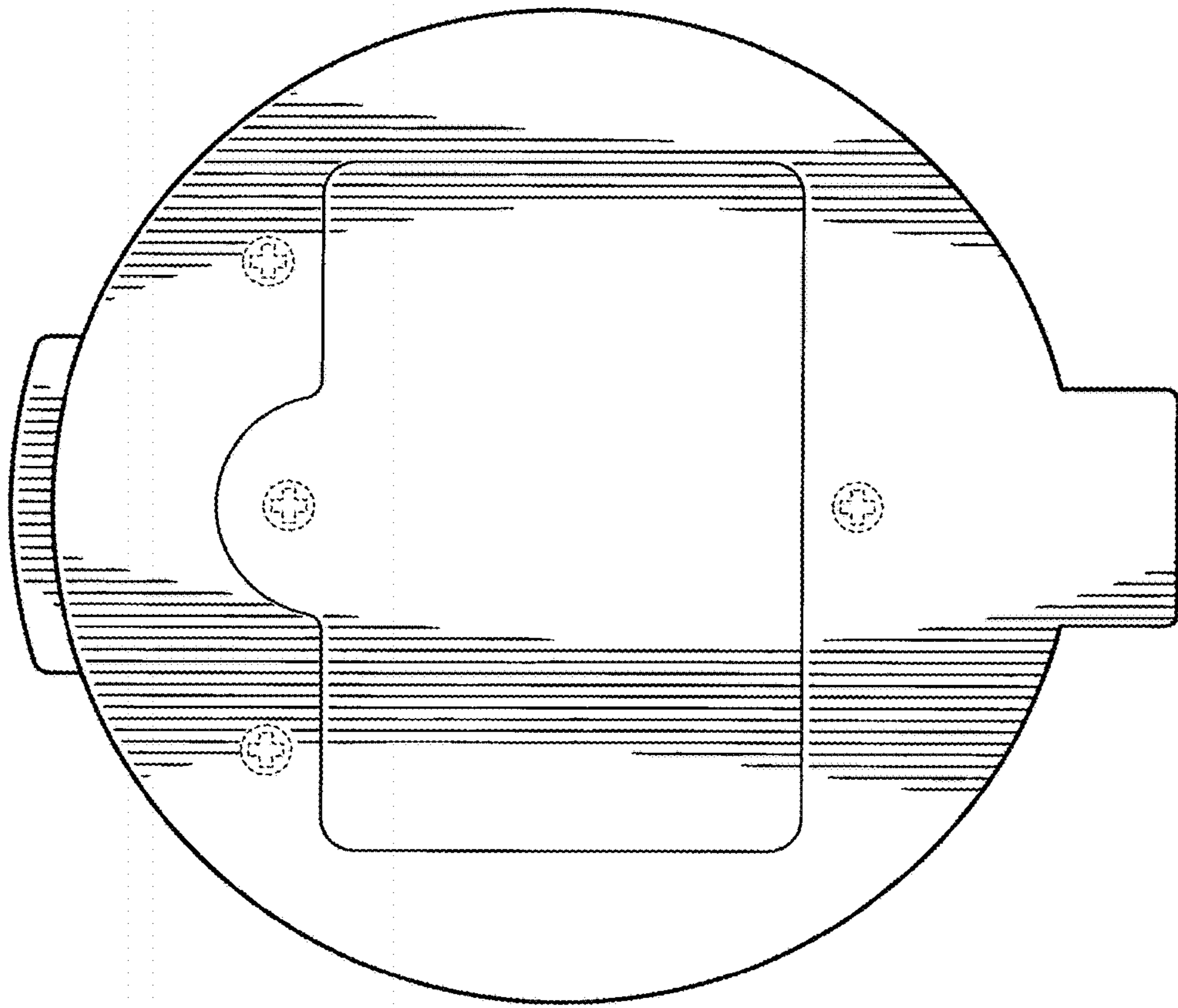


FIG. 7



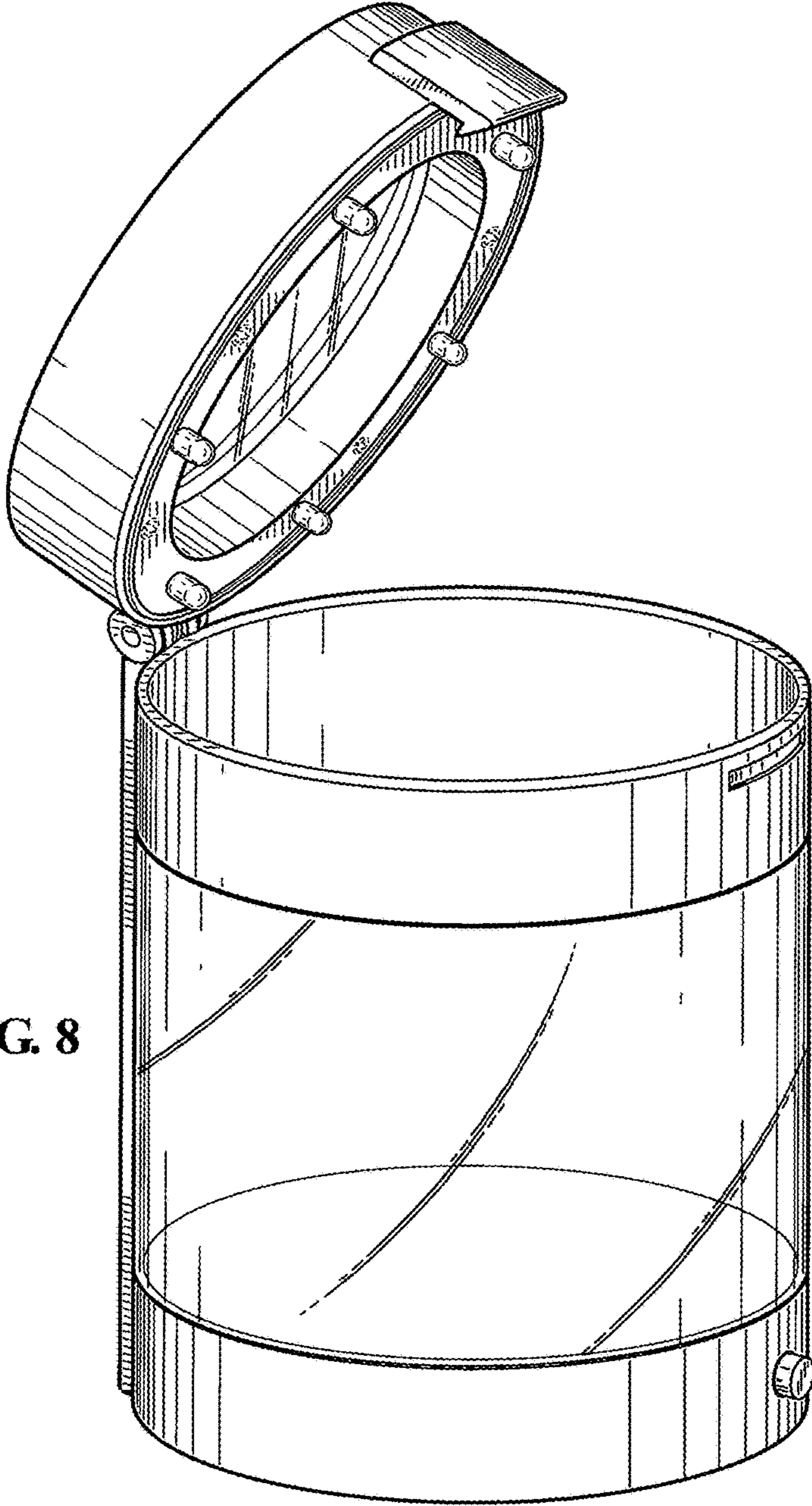


FIG. 8