



US00D803282S

(12) **United States Design Patent**  
**Kingsbury**

(10) **Patent No.:** **US D803,282 S**

(45) **Date of Patent:** **\*\* Nov. 21, 2017**

(54) **LOG ASSIST**

(71) Applicant: **Wayne Kingsbury**, Dallas, SD (US)

(72) Inventor: **Wayne Kingsbury**, Dallas, SD (US)

(\*\*) Term: **15 Years**

(21) Appl. No.: **29/555,314**

(22) Filed: **Feb. 19, 2016**

(51) **LOC (10) Cl.** ..... **15-09**

(52) **U.S. Cl.**  
USPC ..... **D15/138**

(58) **Field of Classification Search**  
USPC ..... D15/28, 137, 138  
CPC ..... F24B 1/199  
See application file for complete search history.

(56) **References Cited**

U.S. PATENT DOCUMENTS

- 625,243 A \* 5/1899 Brewster ..... F24B 1/199  
126/501
- 3,351,107 A \* 11/1967 Hamilton ..... A01G 23/097  
144/2.1
- 3,482,611 A \* 12/1969 Hamilton ..... A01G 23/097  
144/24.13
- 4,431,362 A \* 2/1984 Wech, Jr. .... B27B 31/00  
144/195.1
- 4,444,538 A \* 4/1984 Manley ..... F23K 3/00  
110/101 C
- 4,453,876 A \* 6/1984 Arpin ..... B62B 1/02  
298/2
- 4,474,396 A \* 10/1984 Dennie ..... F24B 1/199  
294/103.1
- 4,487,239 A \* 12/1984 Anderson ..... B27L 7/00  
144/195.1

- 5,333,693 A \* 8/1994 Severeid ..... A01G 23/06  
171/82
- 5,340,085 A \* 8/1994 Keibler ..... B27B 17/0075  
254/266
- 7,547,180 B2 \* 6/2009 Nye ..... A01G 23/006  
294/118
- 7,669,618 B1 \* 3/2010 Halverson ..... B27L 7/00  
144/193.1
- 8,474,794 B2 \* 7/2013 Liljedahl ..... A61G 7/1017  
254/120
- 2005/0274434 A1 \* 12/2005 Woodham ..... B23Q 7/001  
144/359
- 2010/0206436 A1 \* 8/2010 Cordell ..... B27B 29/08  
144/357
- 2011/0193360 A1 \* 8/2011 O'Donnell ..... F24B 1/199  
294/55.5
- 2017/0241646 A1 \* 8/2017 Kingsbury ..... F24B 1/199

\* cited by examiner

*Primary Examiner* — Patricia A Palasik

(74) *Attorney, Agent, or Firm* — Berggren, Inc.

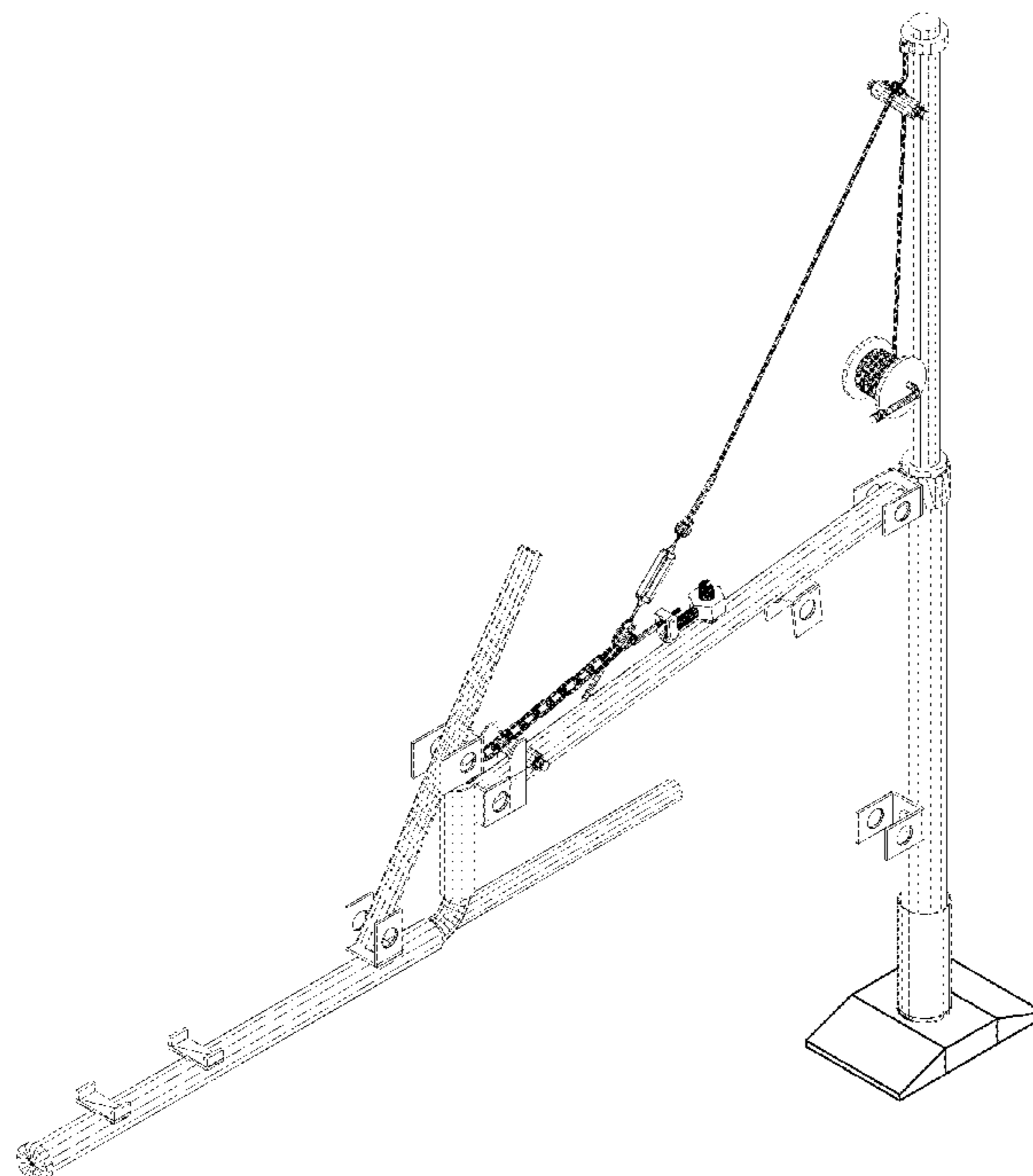
(57) **CLAIM**

The ornamental design for a log assist, as shown and described.

**DESCRIPTION**

FIG. 1 is isometric view of the log assist.  
FIG. 2 is the front side view of the log assist.  
FIG. 3 is the rear side view of the log assist.  
FIG. 4 is the left side view of the log assist.  
FIG. 5 is the right side view of the log assist.  
FIG. 6 is the top view of the log assist; and,  
FIG. 7 is the bottom view of the log assist.

**1 Claim, 7 Drawing Sheets**



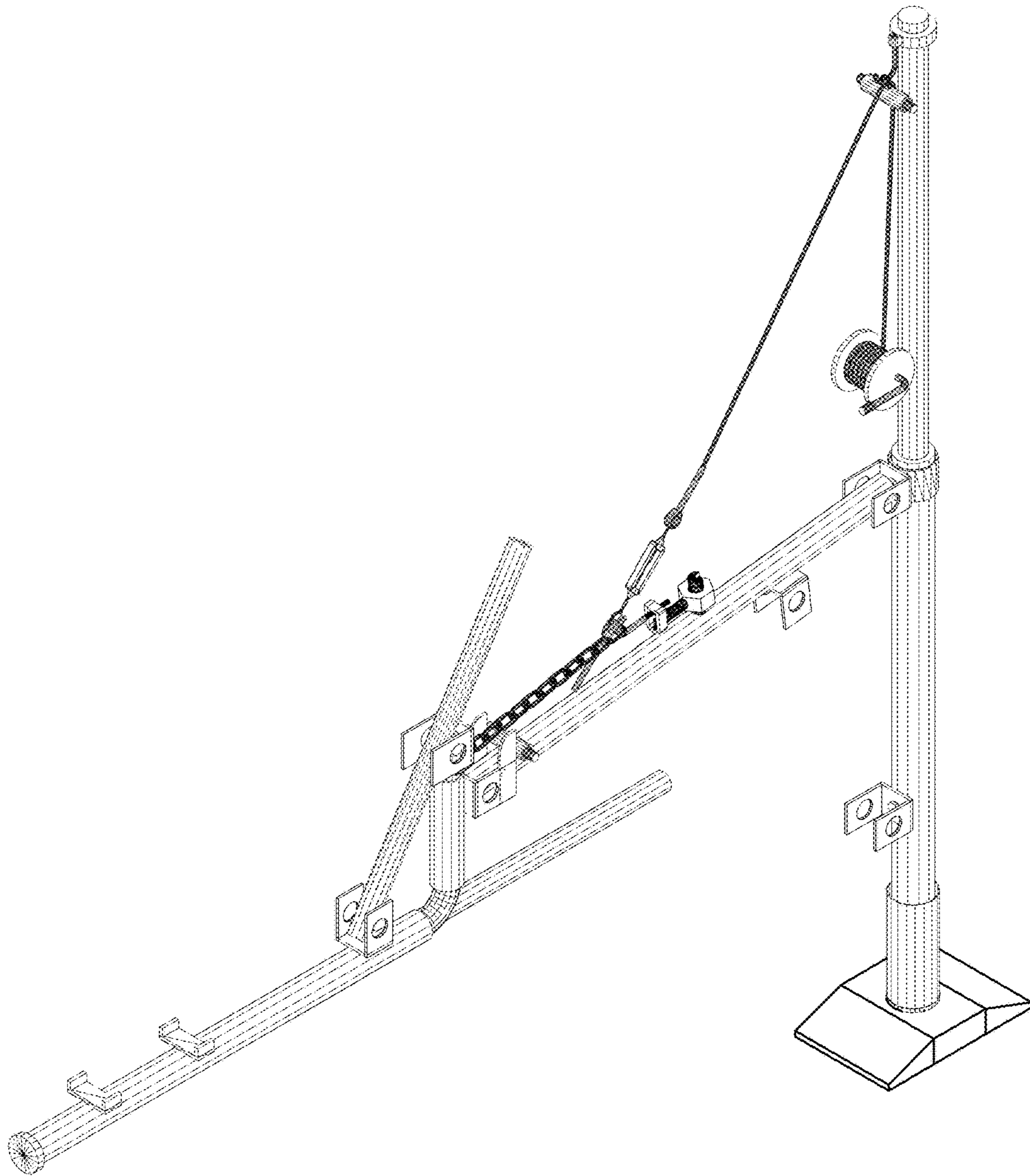


FIG. 1

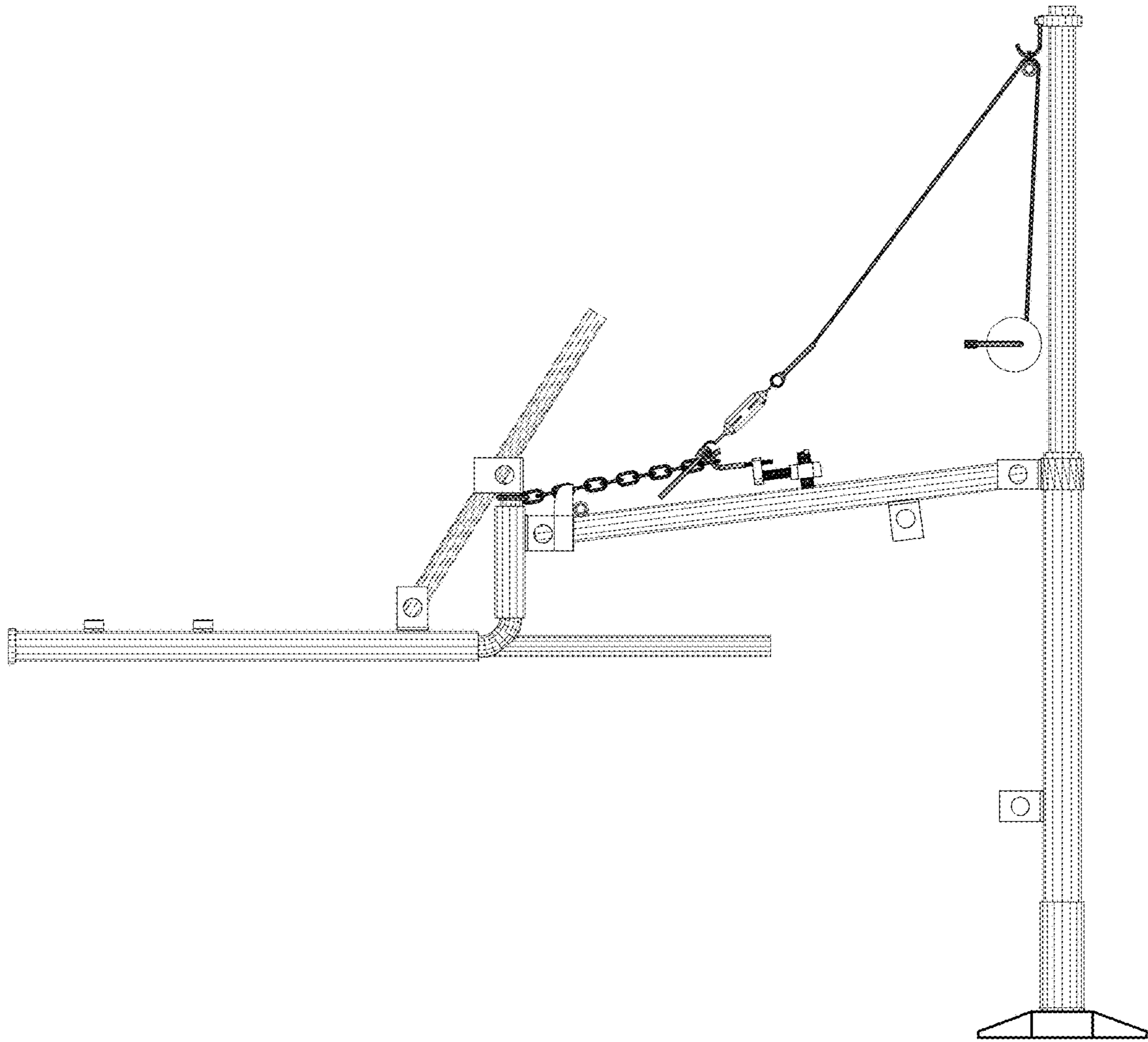


FIG. 2

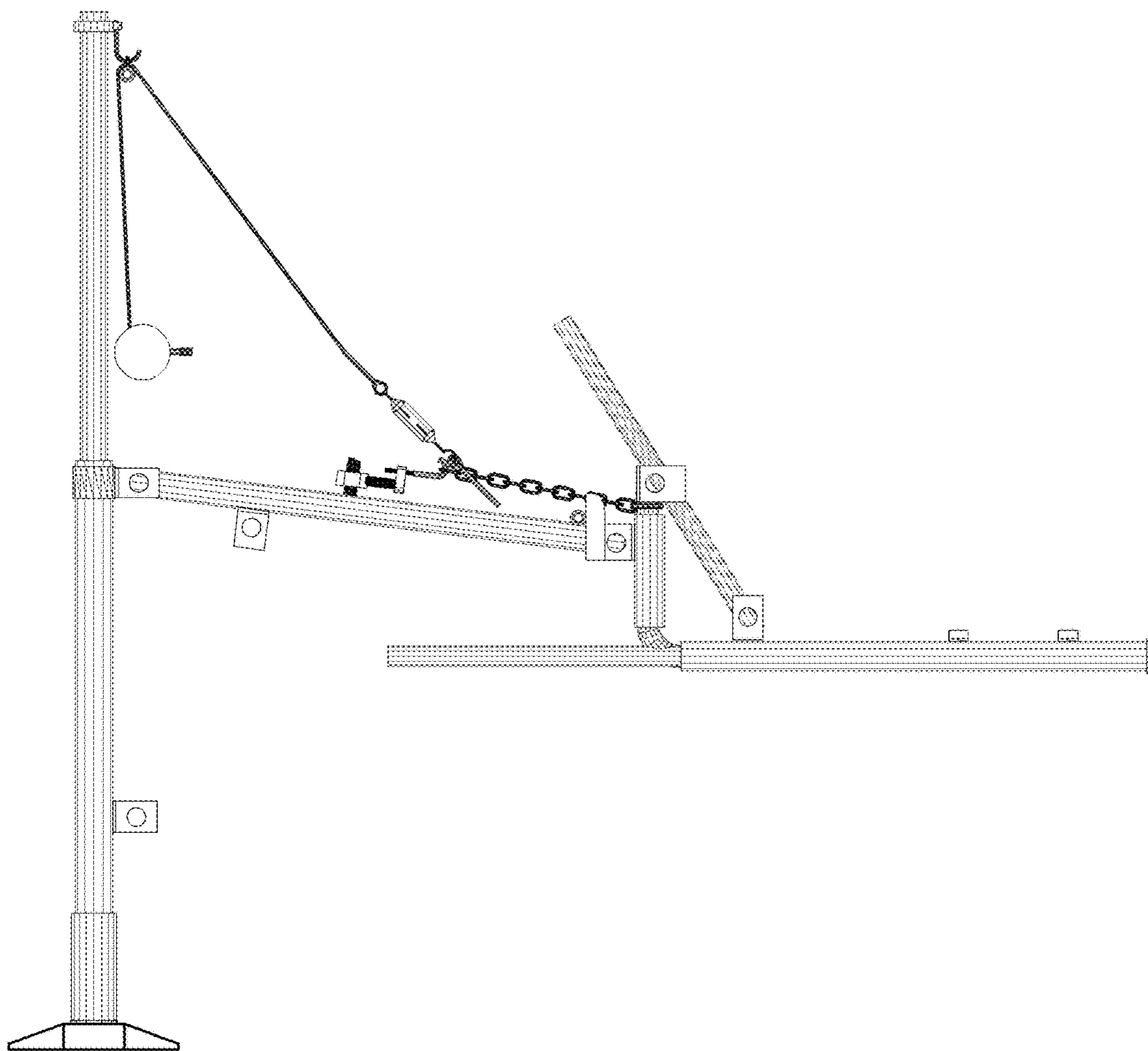


FIG. 3

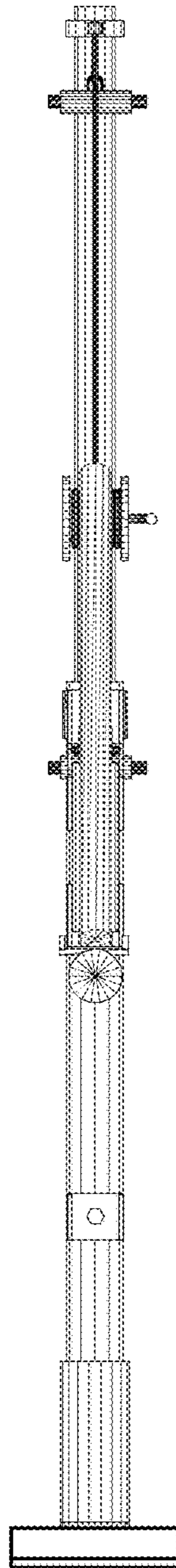


FIG. 4

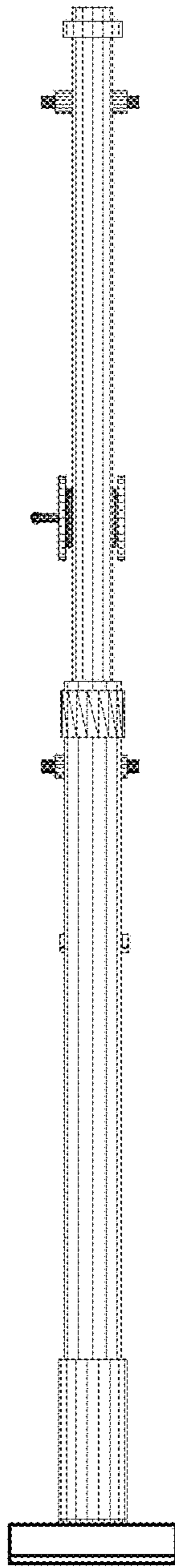


FIG. 5

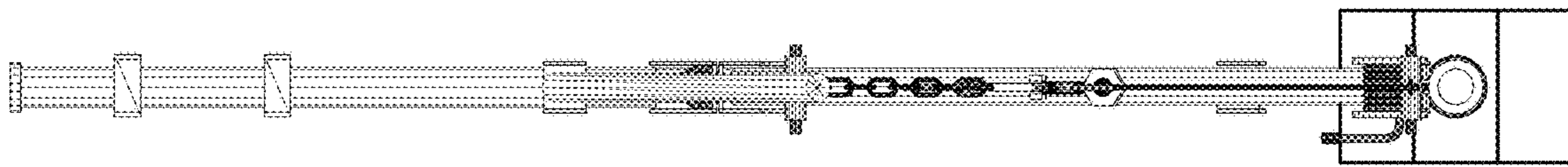


FIG. 6

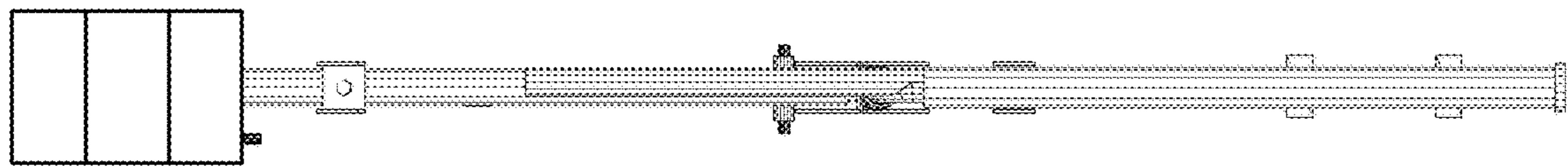


FIG. 7