



US00D803279S

(12) **United States Design Patent** (10) **Patent No.:** **US D803,279 S**
Cho et al. (45) **Date of Patent:** **** Nov. 21, 2017**

(54) **REFRIGERATOR**

(71) Applicant: **LG ELECTRONICS INC.**, Seoul (KR)

(72) Inventors: **Sunil Cho**, Seoul (KR); **Kyutae Park**, Seoul (KR); **Hyok Ku Kwon**, Seoul (KR)

(73) Assignee: **LG Electronics Inc.**, Seoul (KR)

(**) Term: **15 Years**

(21) Appl. No.: **35/500,938**

(22) Filed: **Nov. 13, 2015**

(80) **Hague Agreement Data**

Int. Filing Date: **Nov. 13, 2015**

Int. Reg. No.: **DM/089483**

Int. Reg. Date: **Nov. 13, 2015**

Int. Reg. Pub. Date: **May 13, 2016**

(30) **Foreign Application Priority Data**

Jun. 25, 2015 (KR) 30-2015-0032163

(51) **LOC (10) Cl.** **15-07**

(52) **U.S. Cl.**

USPC **D15/89**

CPC **F25D 23/028** (2013.01)

(58) **Field of Classification Search**

USPC D15/79-91

CPC F25D 23/028; F25D 23/02; F25D 25/025;

F25D 23/00; F25D 2323/021; F25D

11/00; F25D 2323/024; F25D 23/04;

F25D 29/00; F25D 25/02; F25D 25/024;

F25D 27/005; F25D 23/12; F25D 29/005

See application file for complete search history.

(56) **References Cited**

U.S. PATENT DOCUMENTS

D629,021 S * 12/2010 Cho D15/85

D658,213 S * 4/2012 Seo D15/86

D672,375 S * 12/2012 Lee D15/86
D674,417 S * 1/2013 Seo D15/86
D674,418 S * 1/2013 Seo D15/86
D676,467 S * 2/2013 Kim D15/86
D678,922 S * 3/2013 Lee D15/86
D680,138 S * 4/2013 Seo D15/86
D681,695 S * 5/2013 Lee D15/86
D684,609 S * 6/2013 Seo D15/86
D686,644 S * 7/2013 Lee D15/86
D692,033 S * 10/2013 Choi D15/86
D698,832 S * 2/2014 Lee D15/89
D700,222 S * 2/2014 Sin D15/89
D713,864 S * 9/2014 Kim D15/89

(Continued)

Primary Examiner — Richard E Chilcot

(74) *Attorney, Agent, or Firm* — Birch, Stewart, Kolasch & Birch, LLP

(57) **CLAIM**

The ornamental design for a refrigerator, as shown and described.

DESCRIPTION

1. Refrigerator

1.1 is a top, front, left perspective view of the Refrigerator showing our new design;

1.2 is a front view thereof;

1.3 is a rear view thereof;

1.4 is a left side view thereof;

1.5 is a right side view thereof;

1.6 is a top plan view thereof;

1.7 is a bottom view thereof;

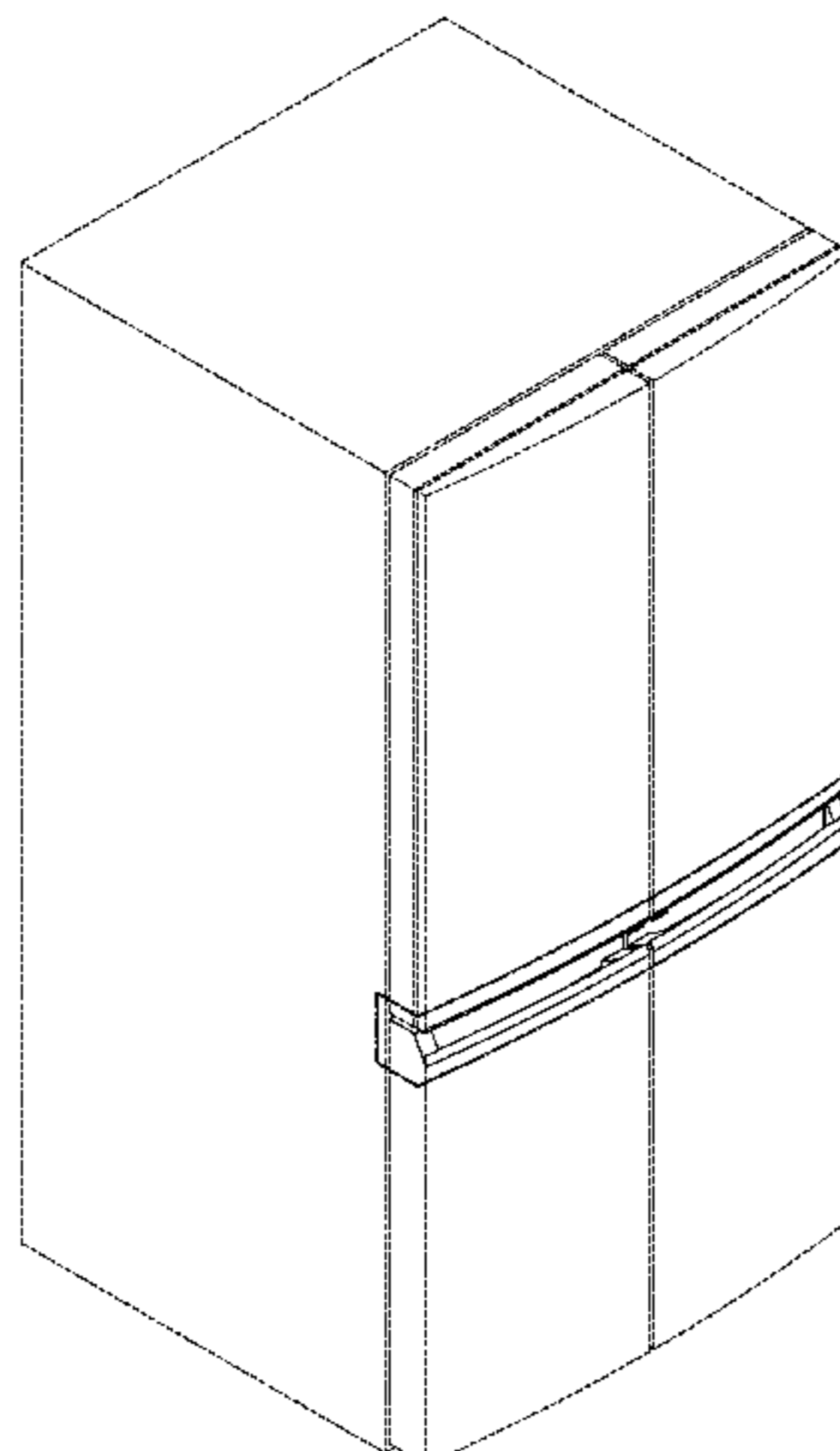
1.8 is bottom, front, left perspective view thereof;

1.9 is an exploded view of a cross-section viewed from the left side through a portion rightward of a vertical centerline of **1.2**; and

1.10 is an exploded view of a cross-section viewed from the left side through a portion further rightward of the vertical centerline of **1.2**.

The broken line showing the refrigerator is included for the purpose of illustrating environment and forms no part of the claimed design.

1 Claim, 10 Drawing Sheets



(56)

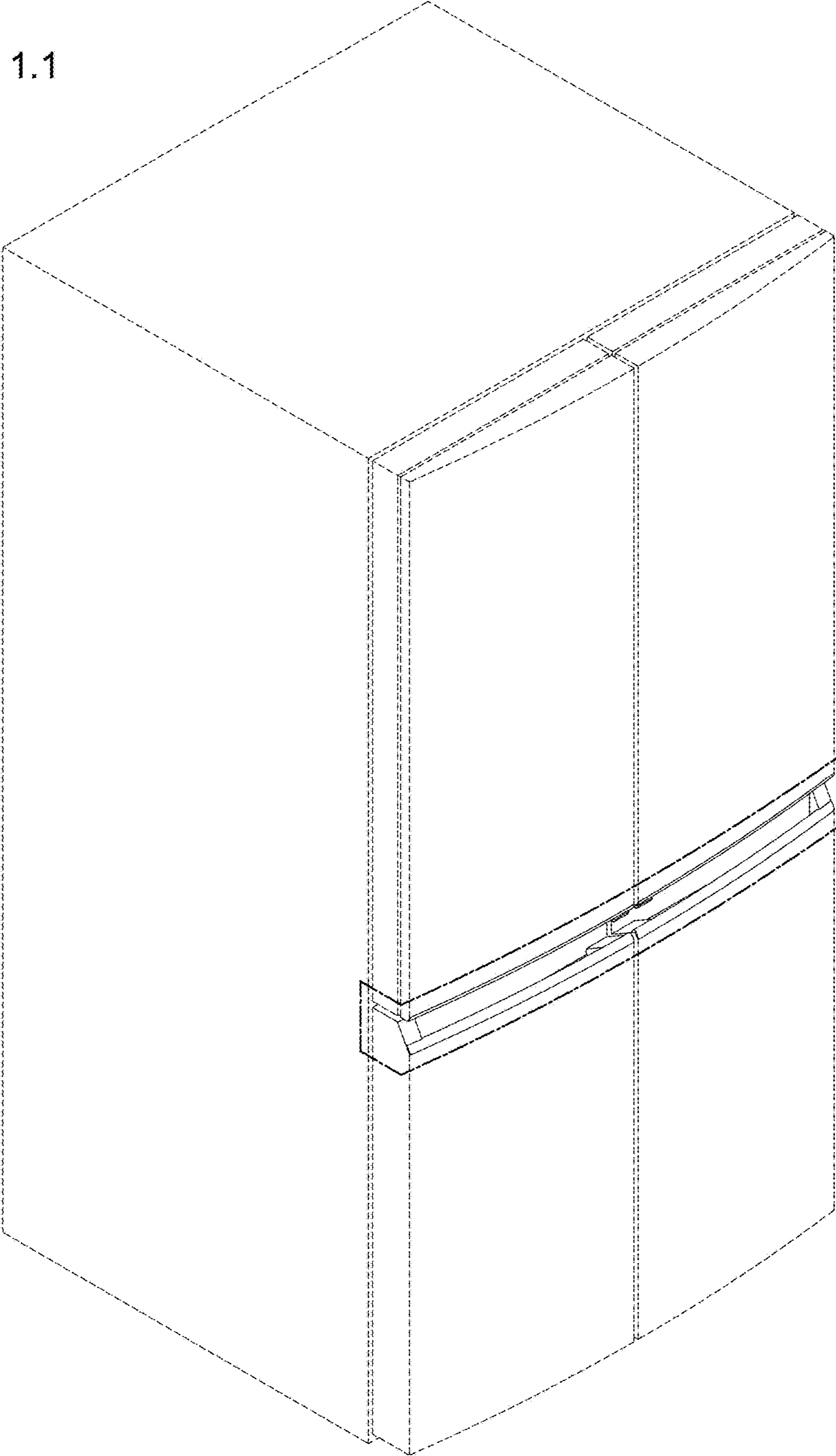
References Cited

U.S. PATENT DOCUMENTS

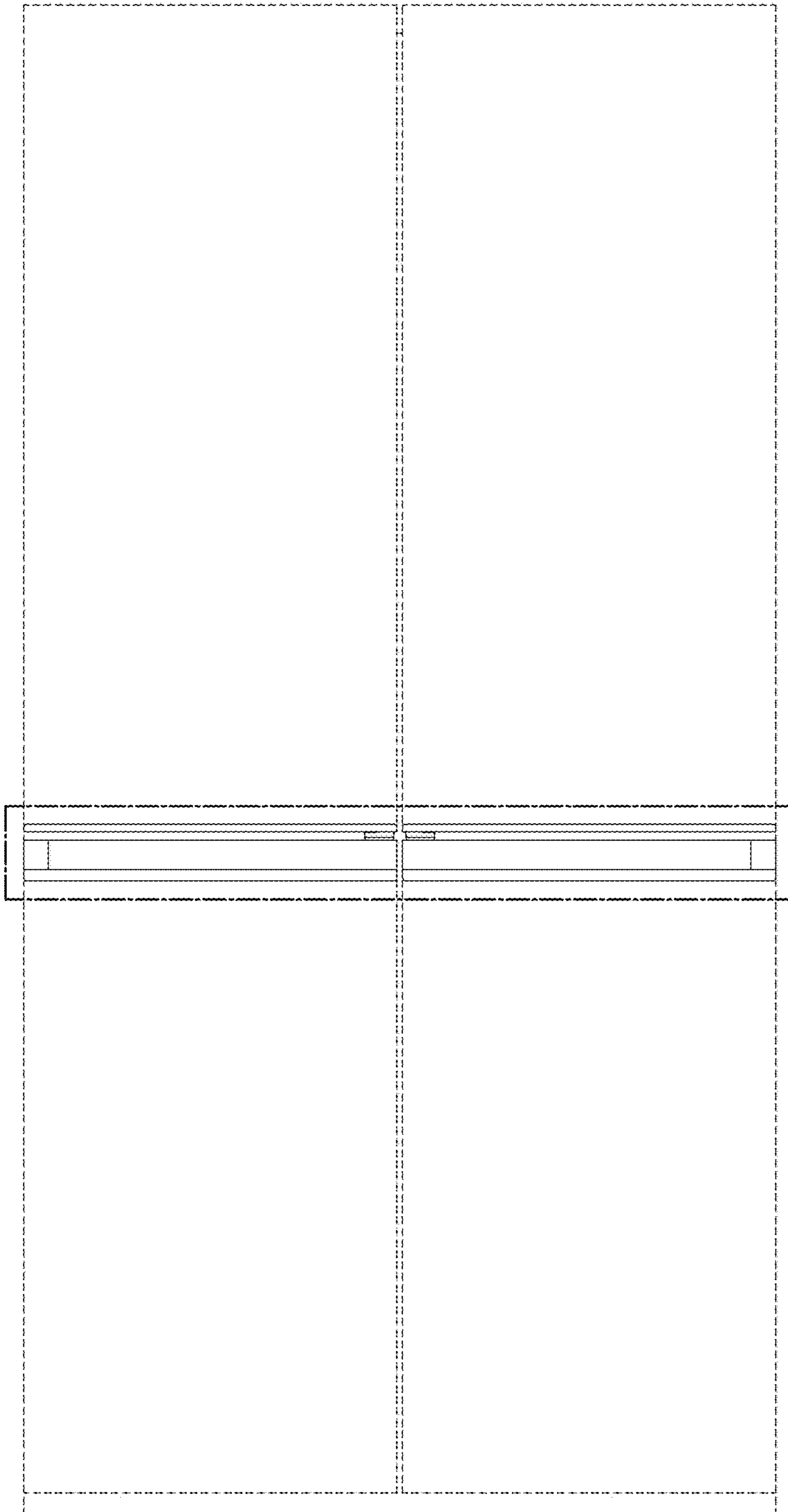
D729,284 S	*	5/2015	Kwak	D15/85
D729,854 S	*	5/2015	Hwang	D15/89
D754,761 S	*	4/2016	Hwang	D15/89
D768,735 S	*	10/2016	Choi	D15/89
D768,736 S	*	10/2016	Choi	D15/89

* cited by examiner

1.1



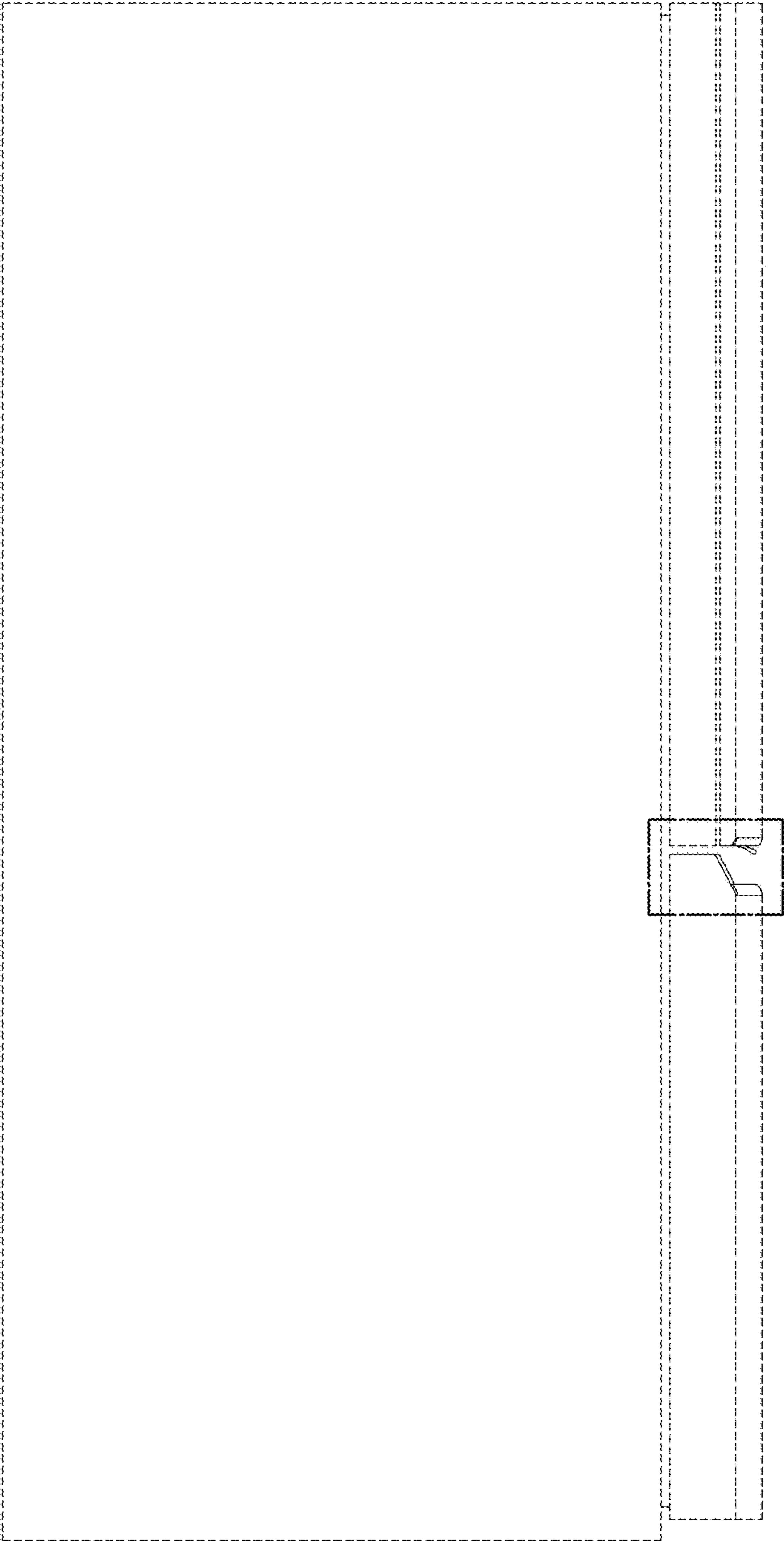
1.2



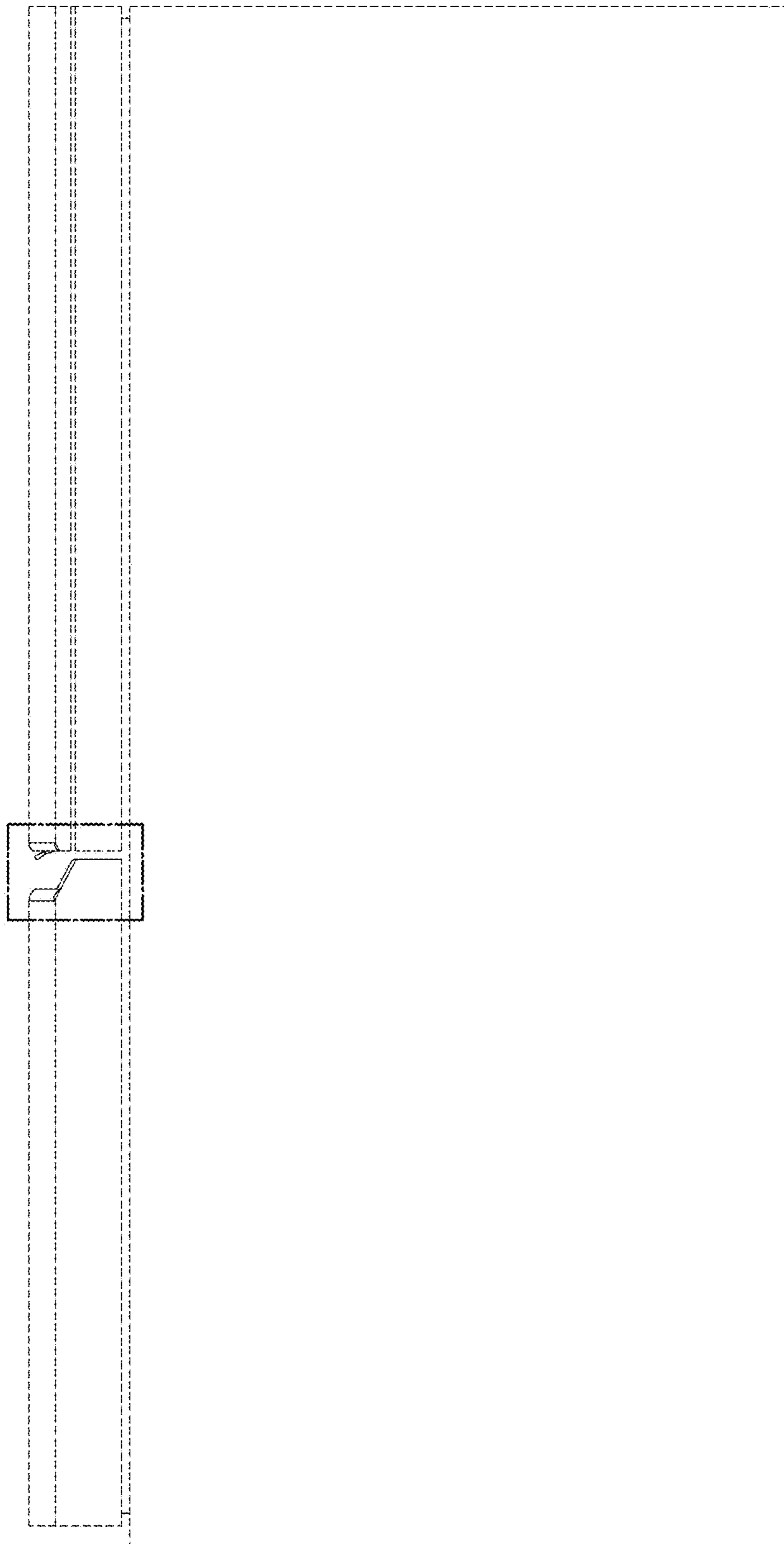
1.3



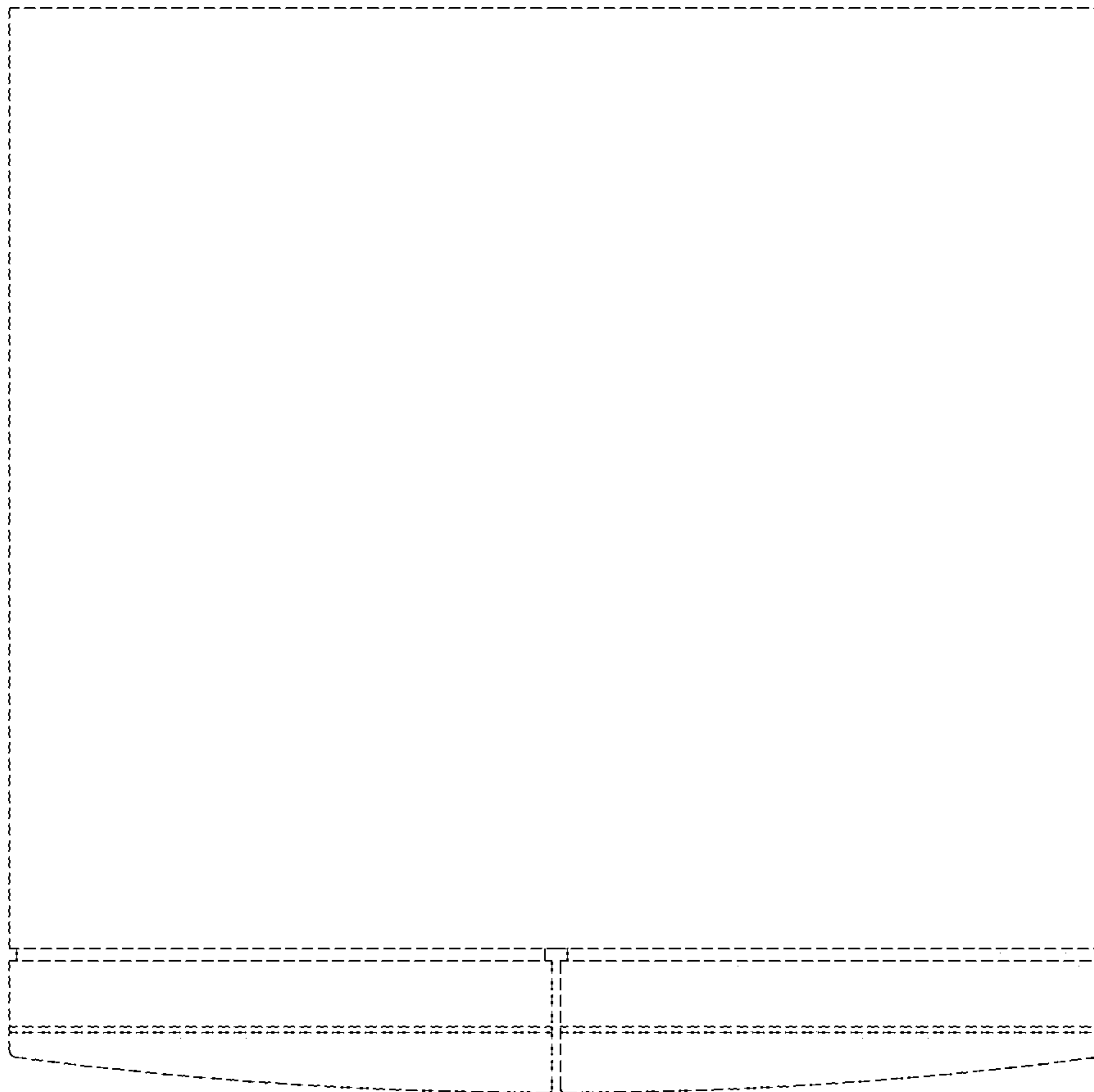
1.4



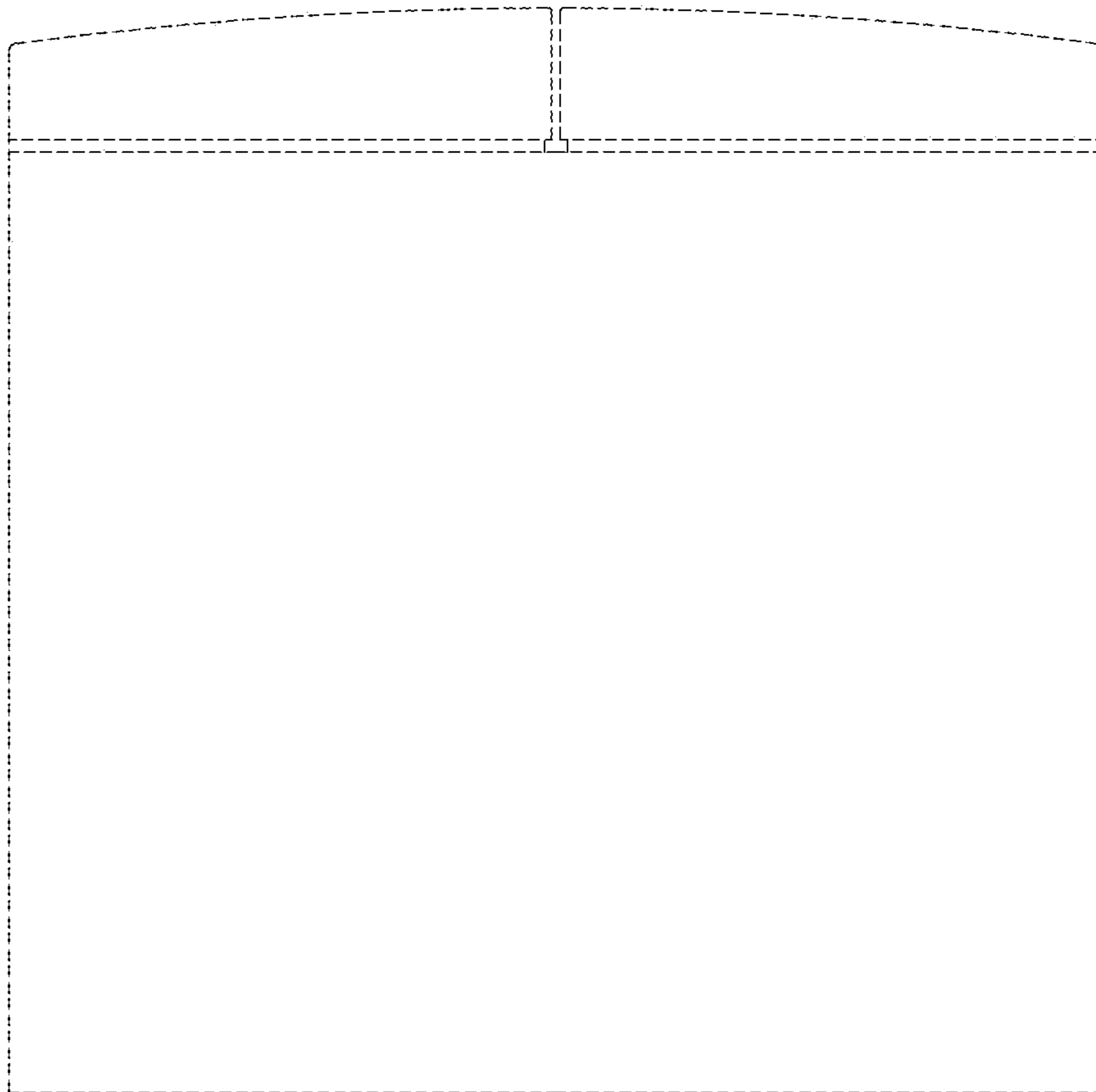
1.5

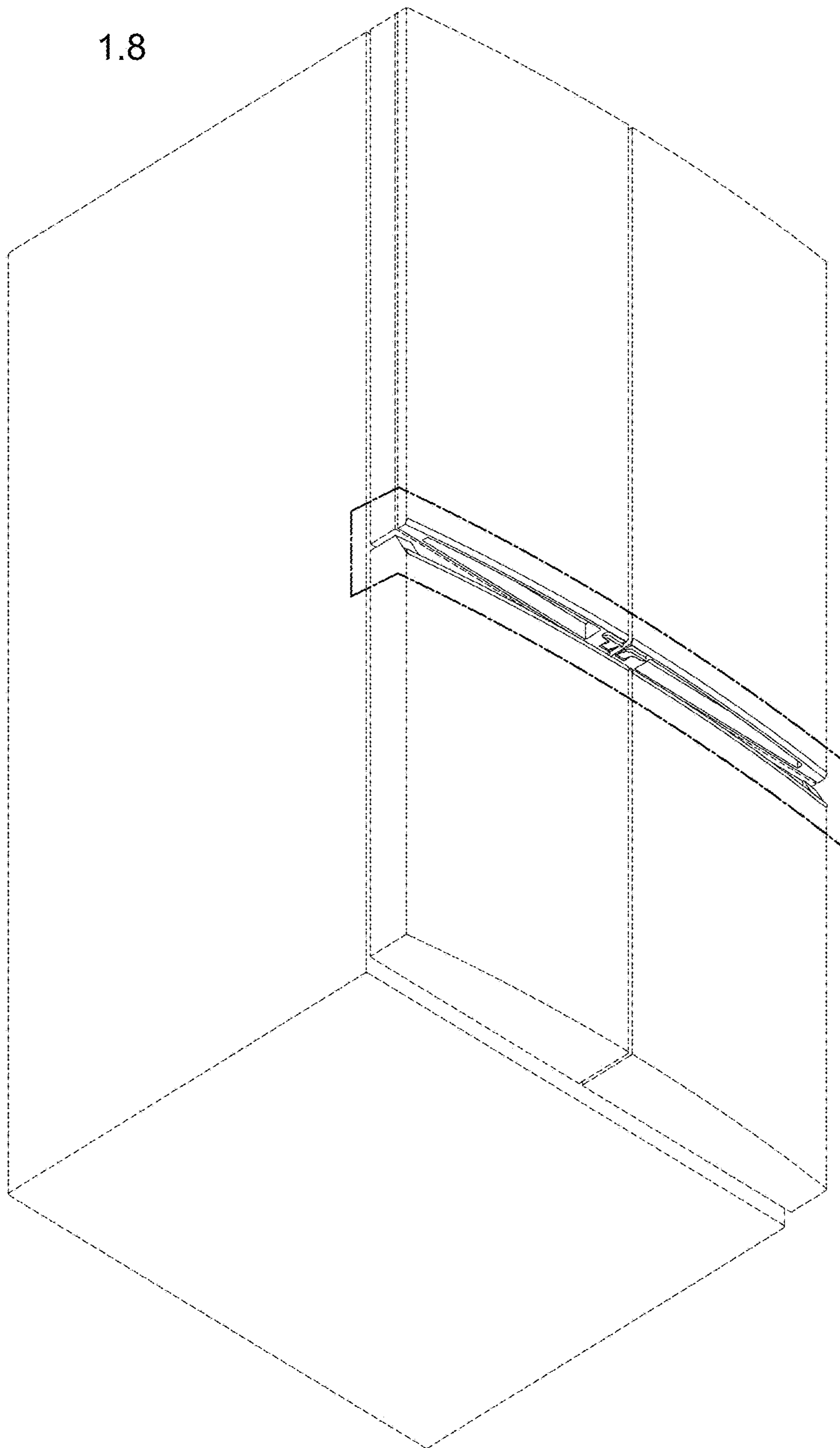


1.6



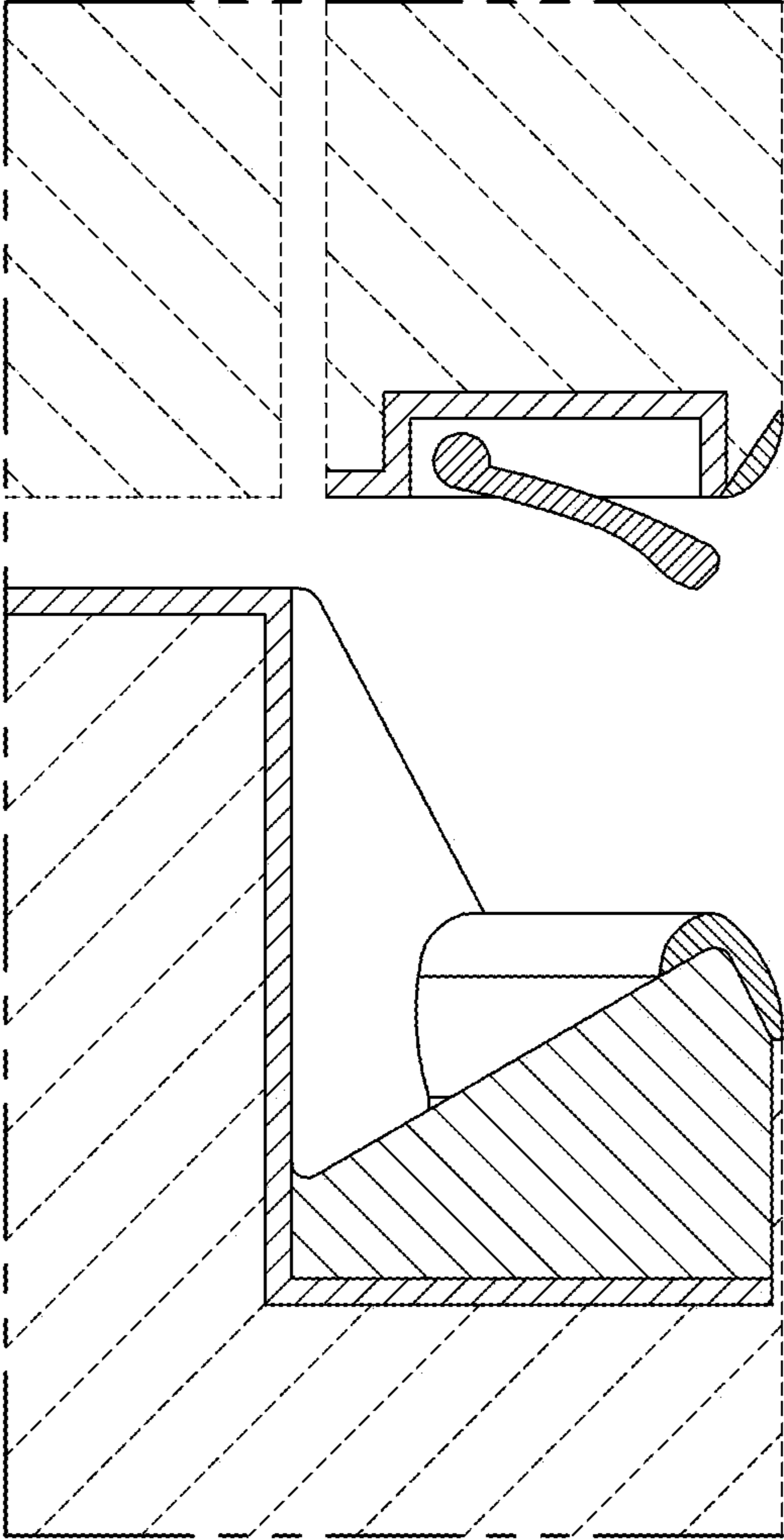
1.7





1.8

1.9



1.10

