



US00D803277S

(12) **United States Design Patent**
Stolarz et al.

(10) **Patent No.:** **US D803,277 S**

(45) **Date of Patent:** **** Nov. 21, 2017**

(54) **COOLER**

(71) Applicant: **PepsiCo, Inc.**, Purchase, NY (US)

(72) Inventors: **Christian Stolarz**, Brooklyn, NY (US);
Martin Eduardo Broen, New York,
NY (US); **Stephen Lim**, Chappaqua,
NY (US); **Praveen Kumar Nooli**,
Coram, NY (US)

(73) Assignee: **PepsiCo, Inc.**, Purchase, NY (US)

(**) Term: **15 Years**

(21) Appl. No.: **29/549,580**

(22) Filed: **Dec. 22, 2015**

(51) **LOC (10) Cl.** **15-07**

(52) **U.S. Cl.**
USPC **D15/81**

(58) **Field of Classification Search**

USPC D15/79, 80, 81, 82, 83, 84, 85, 86, 87,
D15/88, 89, 90, 91

CPC F25D 23/00; F25D 2323/021; F25D 11/00;
F25D 2323/024; F25D 23/04; F25D
25/024; F25D 27/005; F25D 23/12; F25D
29/005; F25D 17/042; F25D 2325/021

See application file for complete search history.

(56) **References Cited**

U.S. PATENT DOCUMENTS

D244,019 S	4/1977	Brown	
D271,107 S	10/1983	Trulaske	
D363,398 S	10/1995	Branz et al.	
D389,672 S *	1/1998	Antao	D15/81
D395,968 S *	7/1998	Shappell	D15/91
5,803,560 A	9/1998	Trulaske, Sr. et al.	
D404,935 S *	2/1999	Shappell	D15/81
D421,534 S *	3/2000	Trulaske	D15/81
D423,019 S *	4/2000	Bardin	D15/91
D449,844 S	10/2001	Kim	

D481,224 S 10/2003 Draper
D481,740 S 11/2003 Li et al.
D506,630 S * 6/2005 Schweikarth D6/705.1
(Continued)

OTHER PUBLICATIONS

http://www.lamp-plus.net/product_825521/Commercial-upright-display-cooler-460L-glass-door-upright-coke-display-cooler.html—Retrieved Oct. 22, 2016.*

(Continued)

Primary Examiner — Ian Simmons

Assistant Examiner — Mojtaba Tehrani

(74) *Attorney, Agent, or Firm* — Sterne, Kessler,
Goldstein & Fox P.L.L.C.

(57) **CLAIM**

The ornamental design for a cooler, as shown and described.

DESCRIPTION

FIG. 1 is a top front perspective view of a cooler showing the claimed design;

FIG. 2 is a front view thereof;

FIG. 3 is a rear view thereof;

FIG. 4 is a left side view thereof;

FIG. 5 is a right side view thereof;

FIG. 6 is a top view thereof;

FIG. 7 is a bottom view thereof;

FIG. 8 is a top front perspective view of a cooler showing the claimed design;

FIG. 9 is a front view thereof;

FIG. 10 is a rear view thereof;

FIG. 11 is a left side view thereof;

FIG. 12 is a right side view thereof;

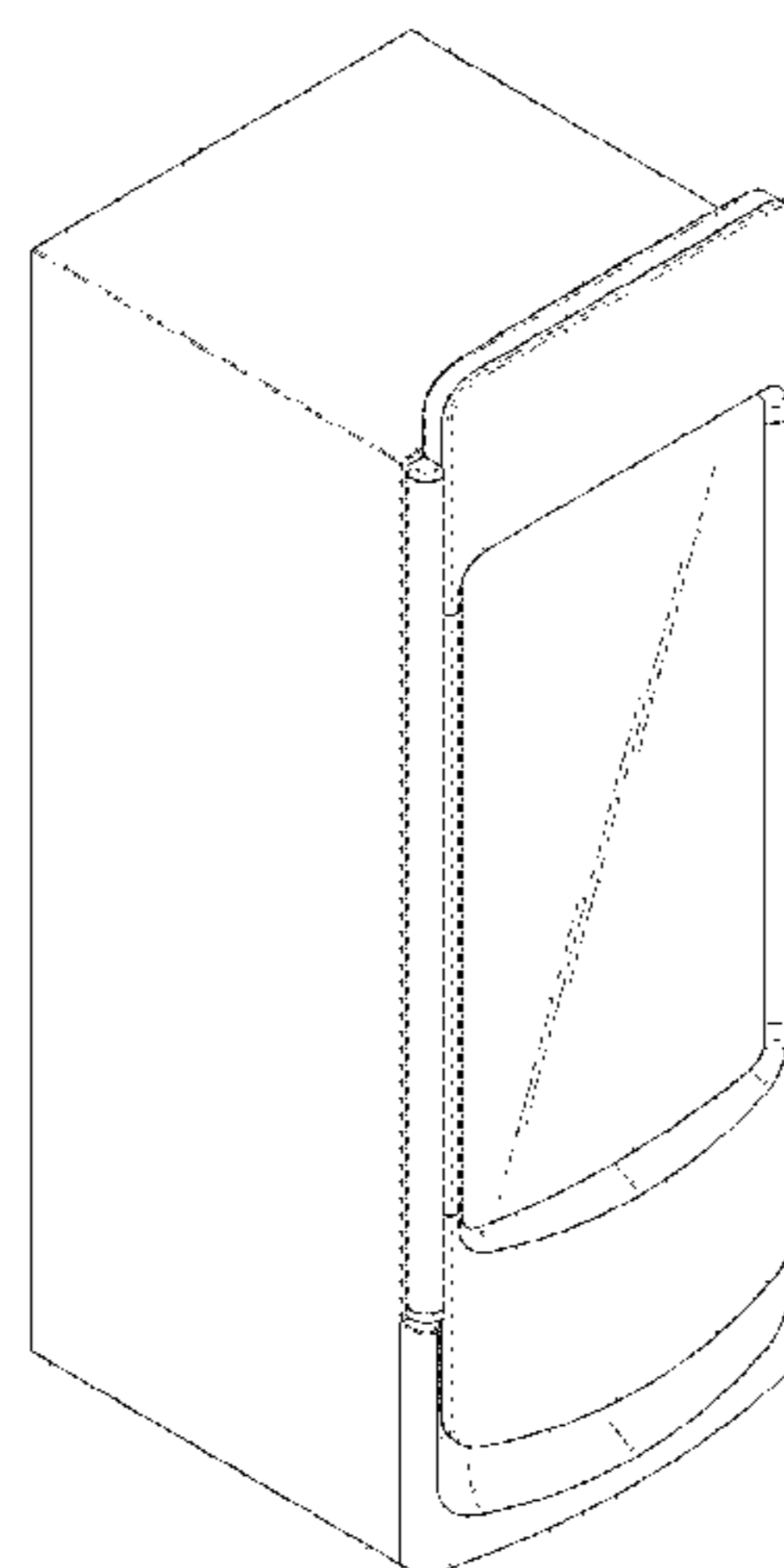
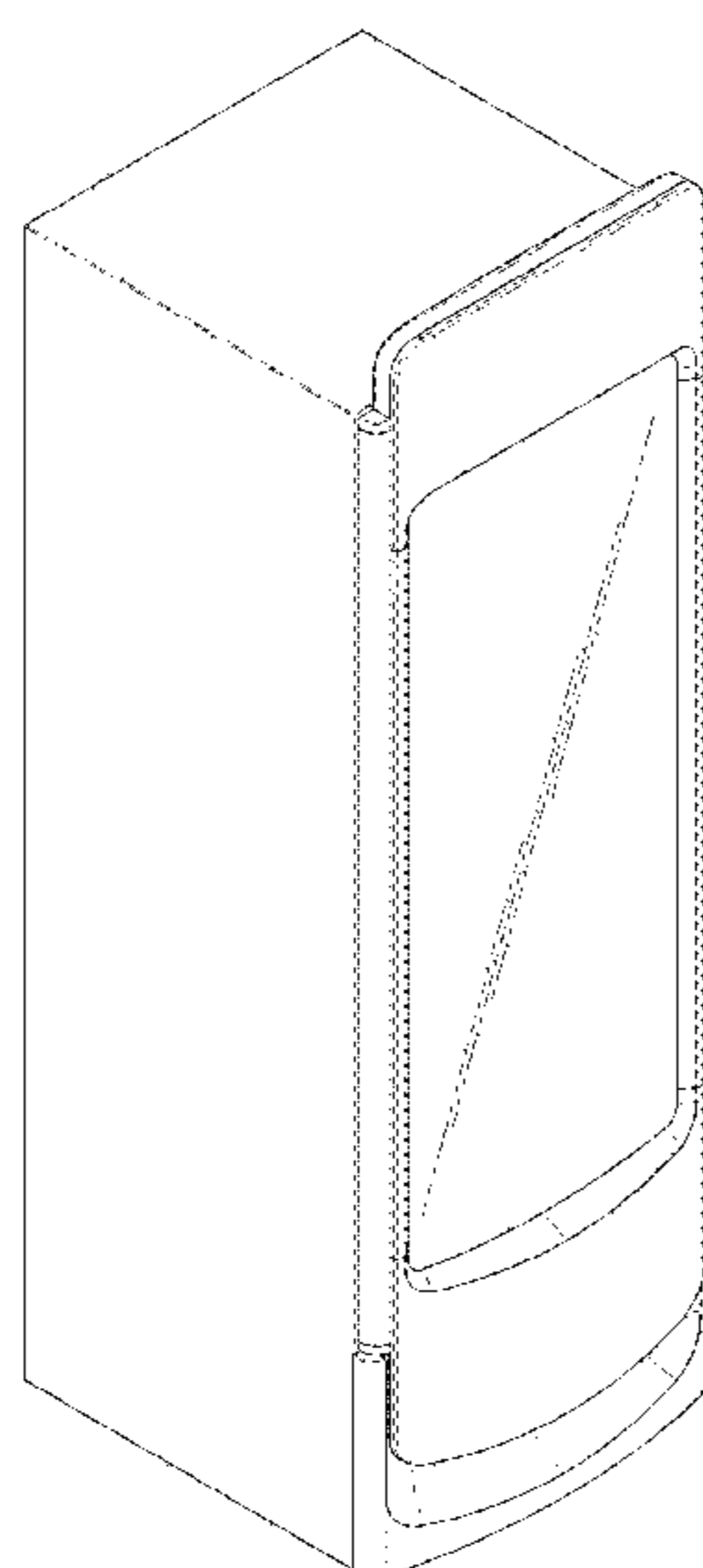
FIG. 13 is a top view thereof; and,

FIG. 14 is a bottom view thereof.

The broken lines in the figures show portions of the cooler that form no part of the claimed design.

The shade lines in the figures show contour and not surface ornamentation.

1 Claim, 12 Drawing Sheets



(56)

References Cited

U.S. PATENT DOCUMENTS

D513,014	S	*	12/2005	Seki	D15/81
D518,836	S		4/2006	Reese et al.		
D519,528	S		4/2006	Reese		
D520,030	S		5/2006	Reese et al.		
D520,532	S	*	5/2006	Reese	D15/89
D520,533	S		5/2006	Reese et al.		
D541,315	S	*	4/2007	Trulaske, Sr.	D15/81
D630,230	S	*	1/2011	Yang	D15/81
D646,307	S	*	10/2011	Schaffer	D15/81
D671,574	S	*	11/2012	Jafa	D15/91
D671,575	S	*	11/2012	Jafa	D15/91
D671,576	S	*	11/2012	Jafa	D15/91
D692,467	S	*	10/2013	Brenneis	D15/81
D693,379	S	*	11/2013	Brenneis	D15/81
D723,594	S		3/2015	Kim et al.		
D736,272	S		8/2015	Stolarz et al.		
D736,276	S	*	8/2015	Kim	D15/89
D746,879	S		1/2016	Stolarz et al.		
D747,367	S	*	1/2016	Stolarz	D15/81
D748,689	S		2/2016	Girardi		
D762,741	S	*	8/2016	Galiatsis	D15/81
D762,742	S		8/2016	Galiatsis		
D765,151	S	*	8/2016	Park	D15/81
2010/0018233	A1	*	1/2010	Jafa	A47F 3/0482 62/249

OTHER PUBLICATIONS

<http://www.turbosquid.com/3d-models/pepsi-v3-3d-model/554090>—Retrieved Oct. 22, 2016.*

* cited by examiner

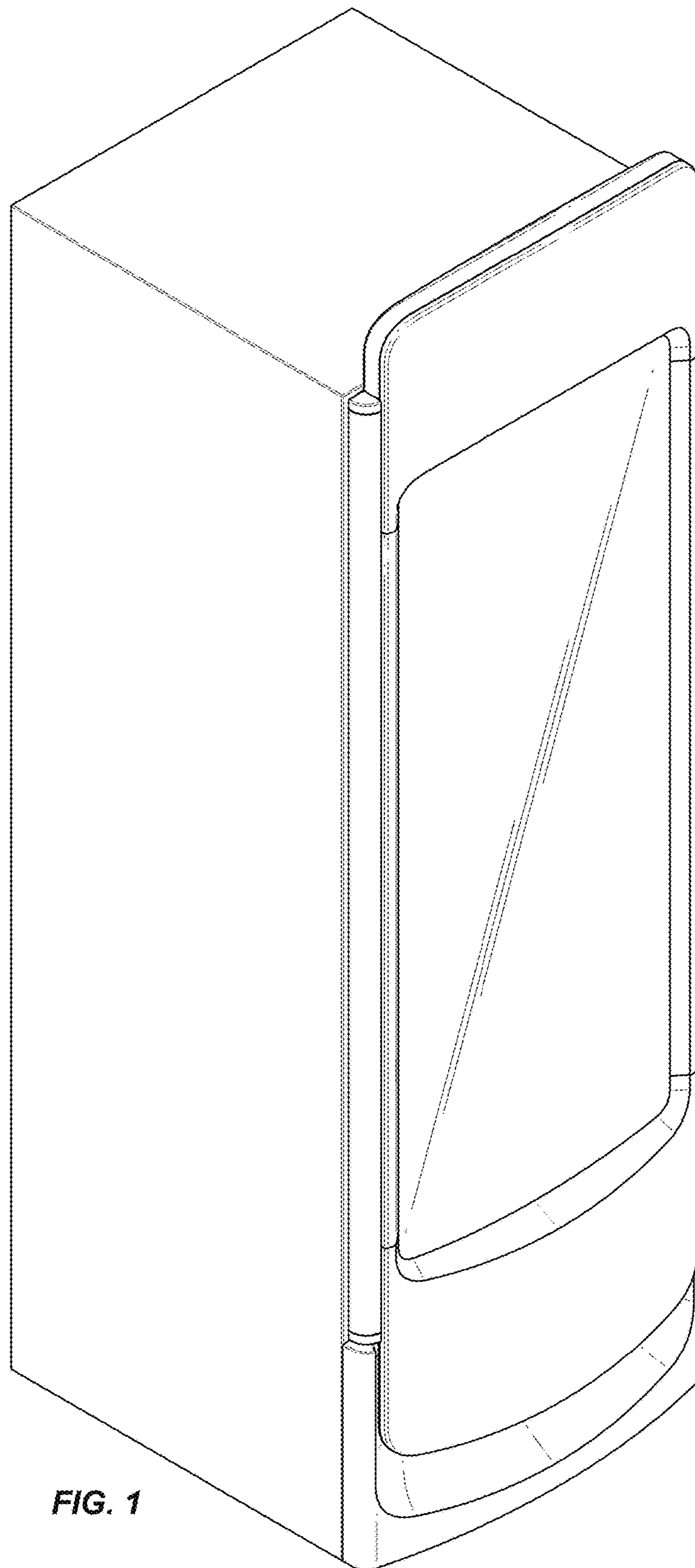


FIG. 1

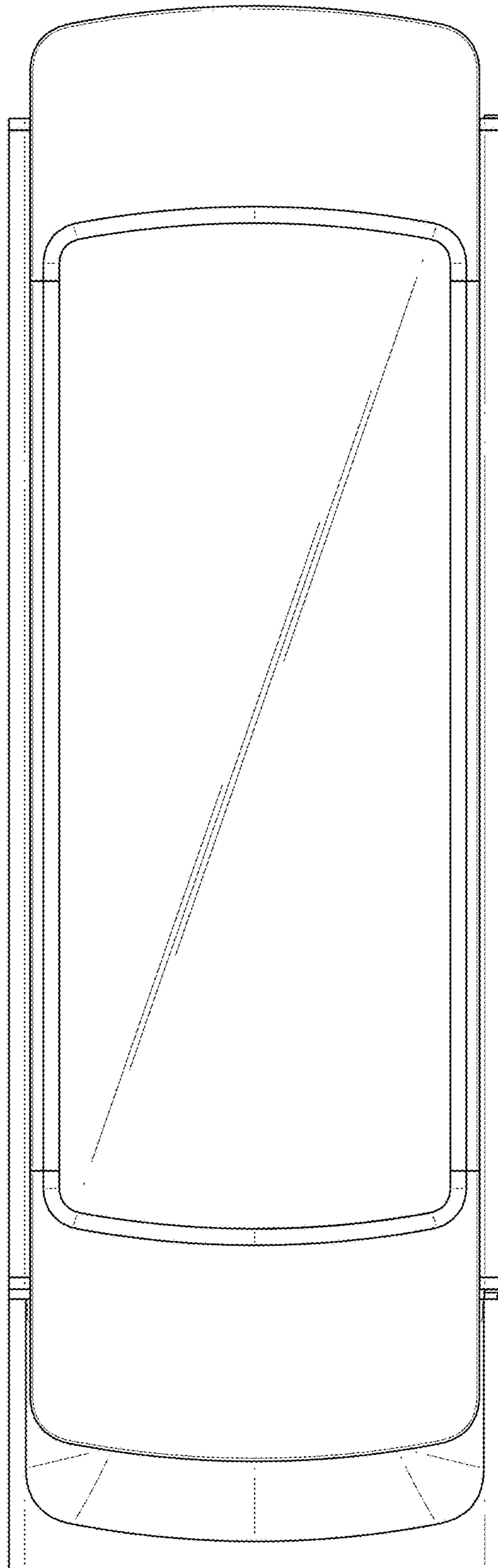


FIG. 2

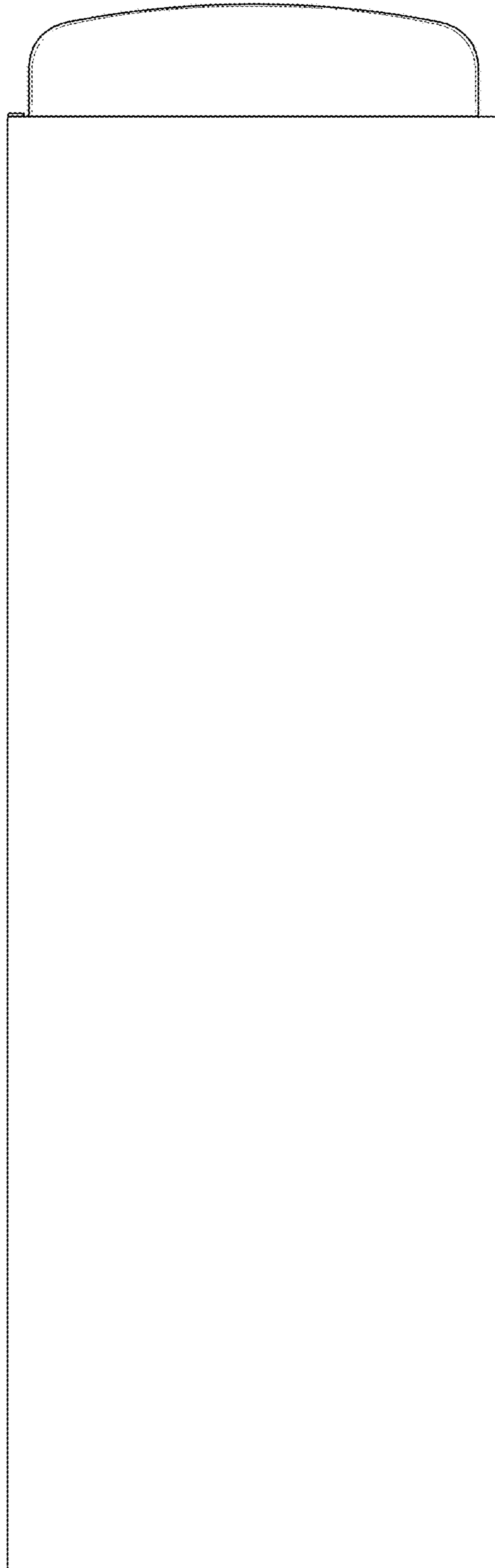


FIG. 3

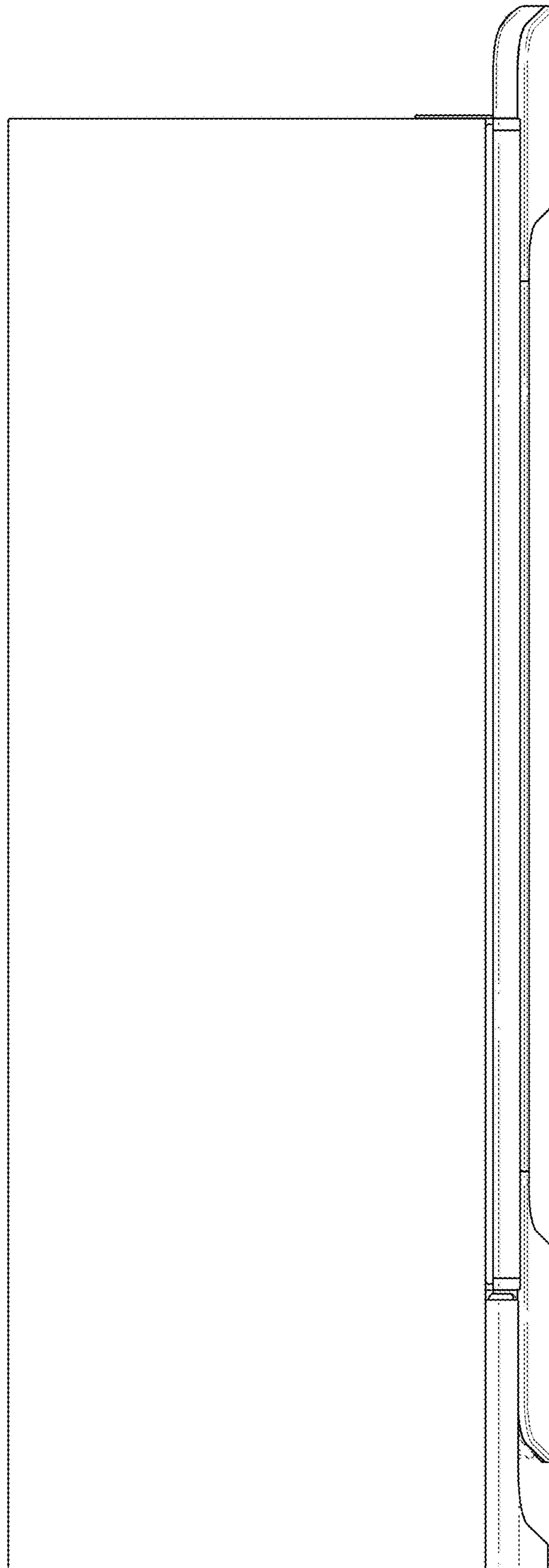


FIG. 4

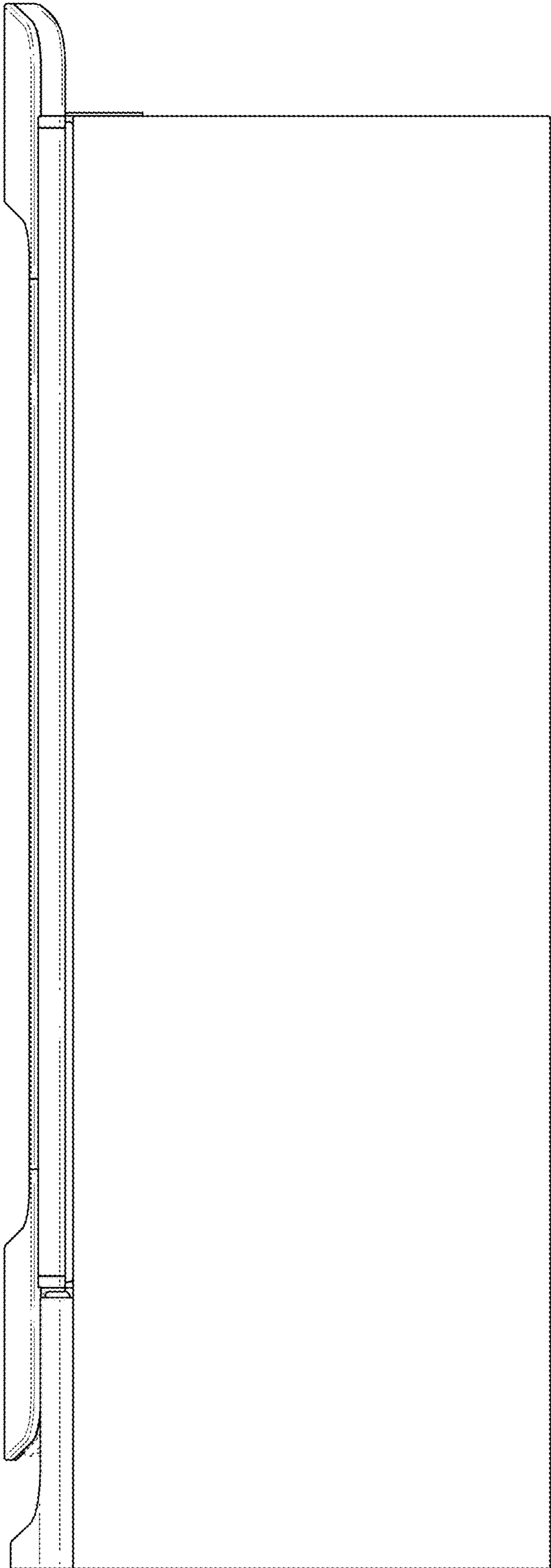


FIG. 5

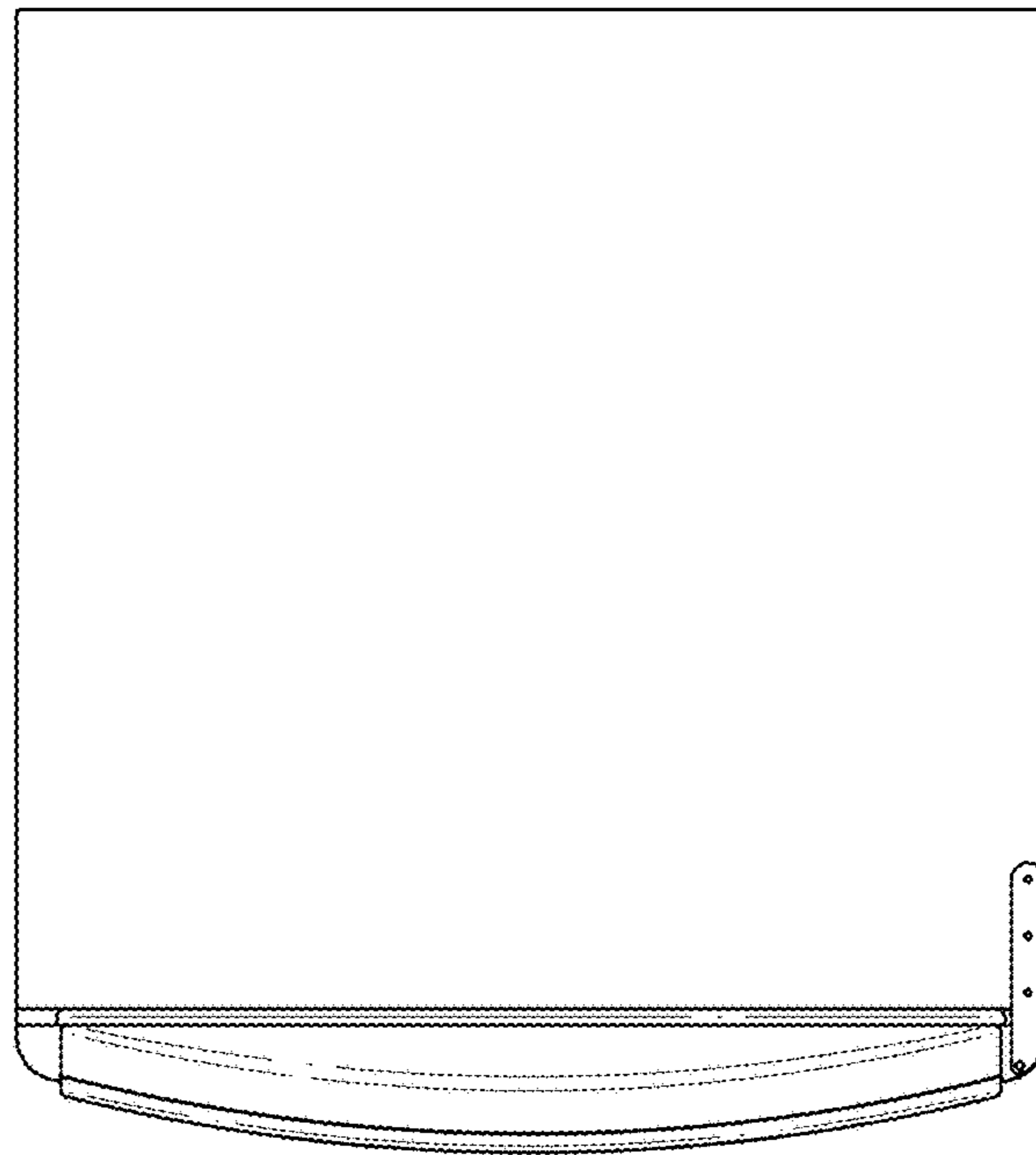


FIG. 6

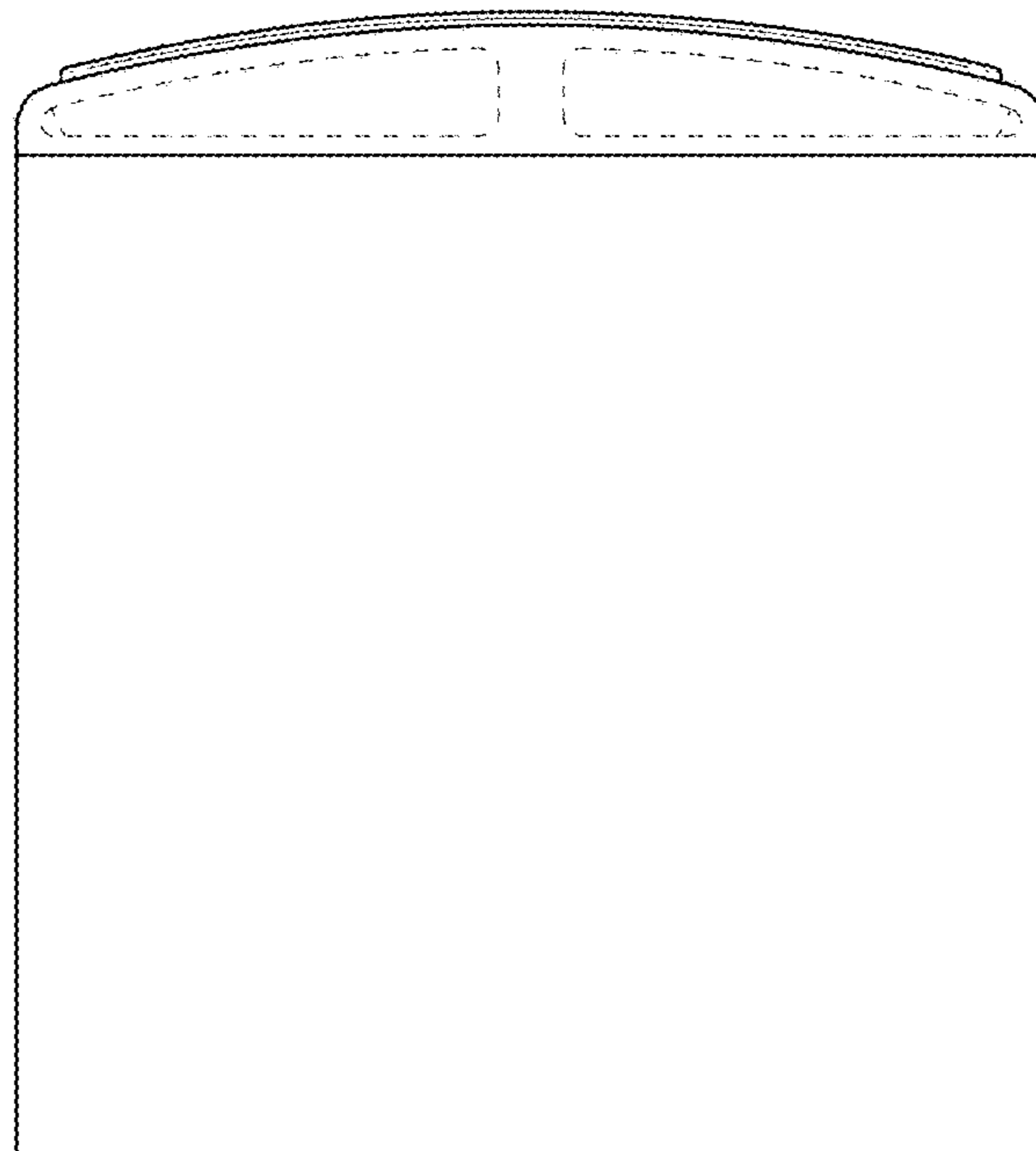


FIG. 7

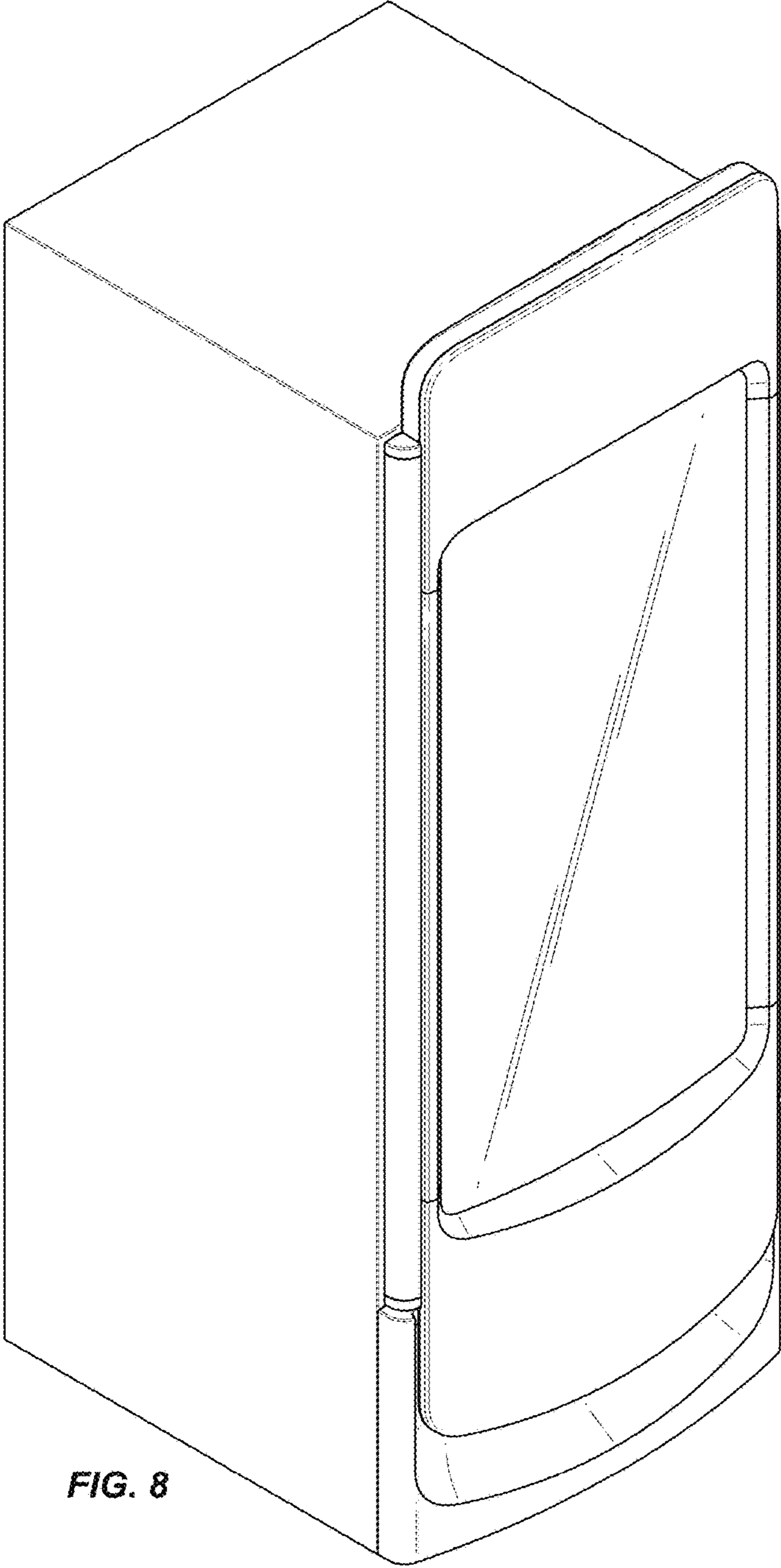


FIG. 8

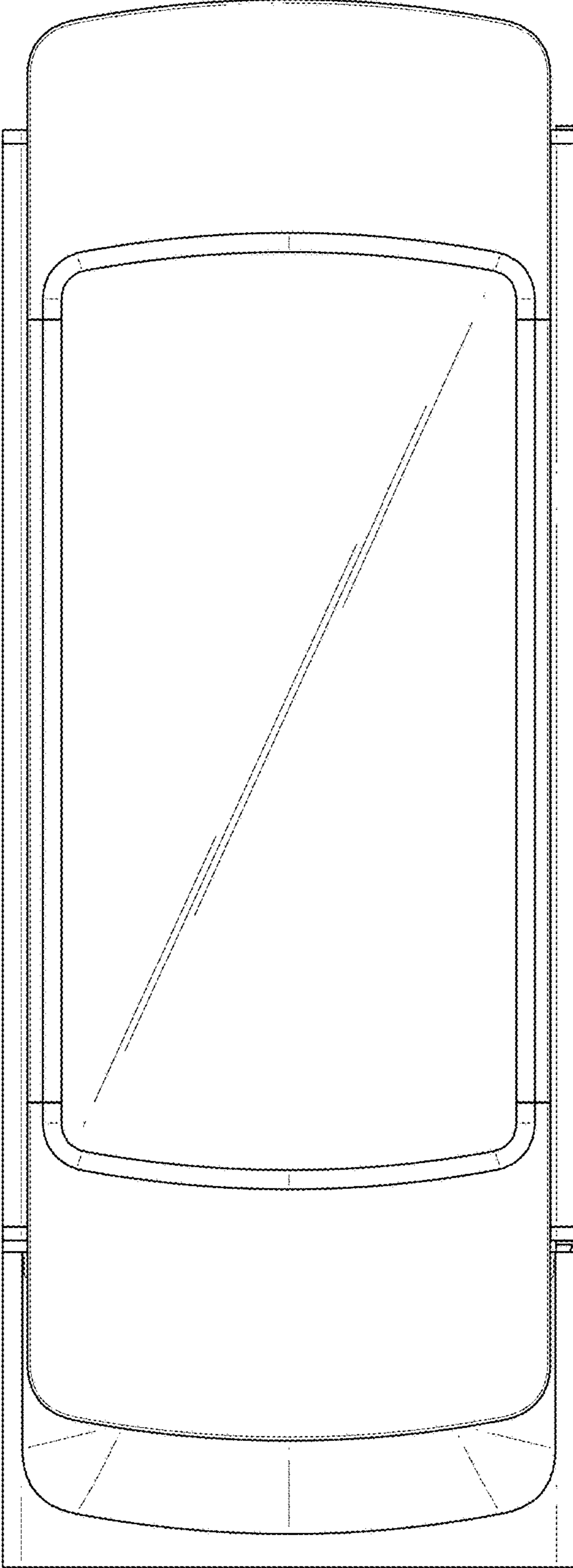


FIG. 9



FIG. 10

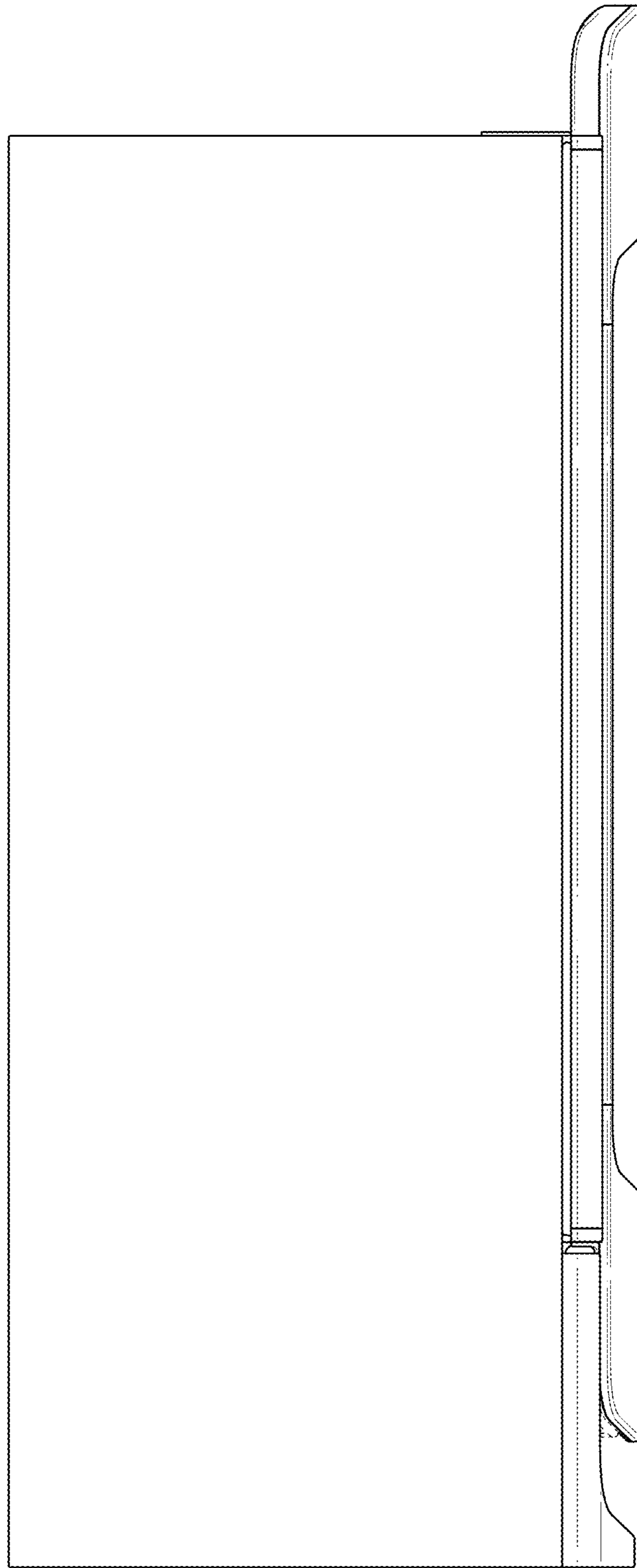


FIG. 11

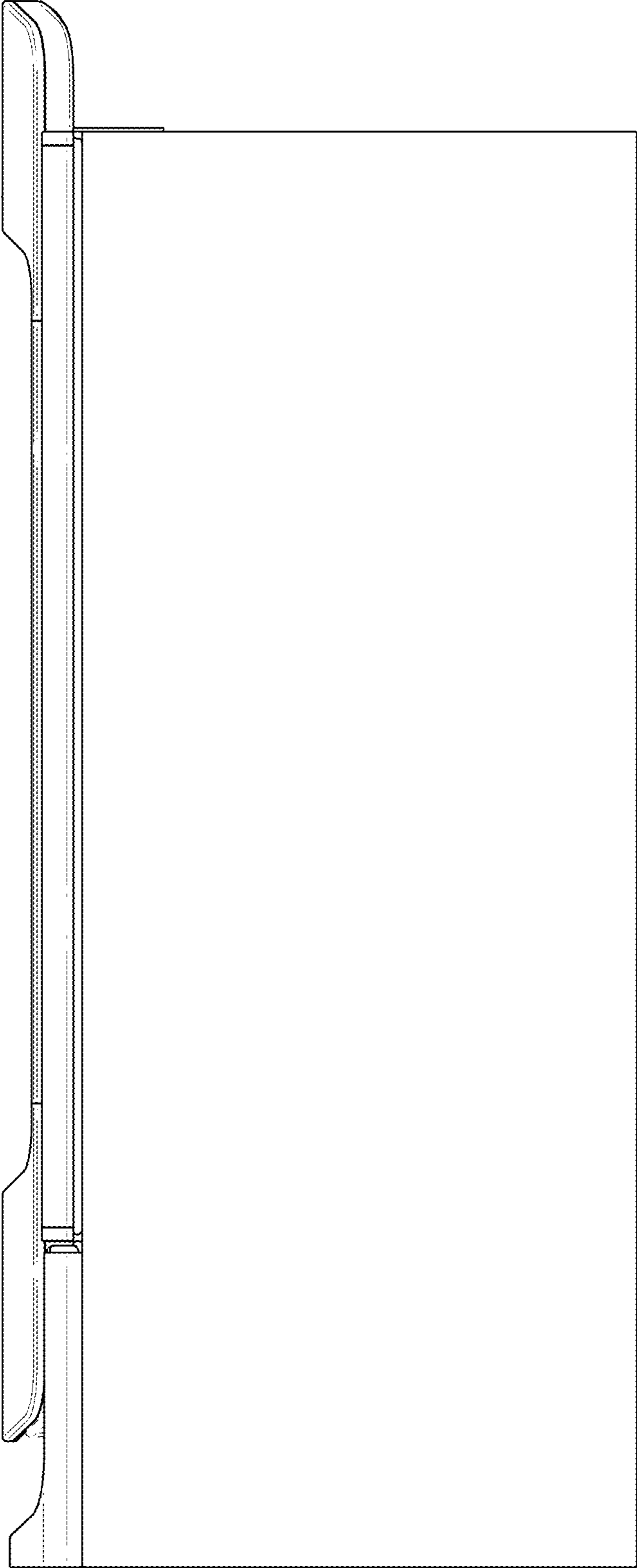


FIG. 12

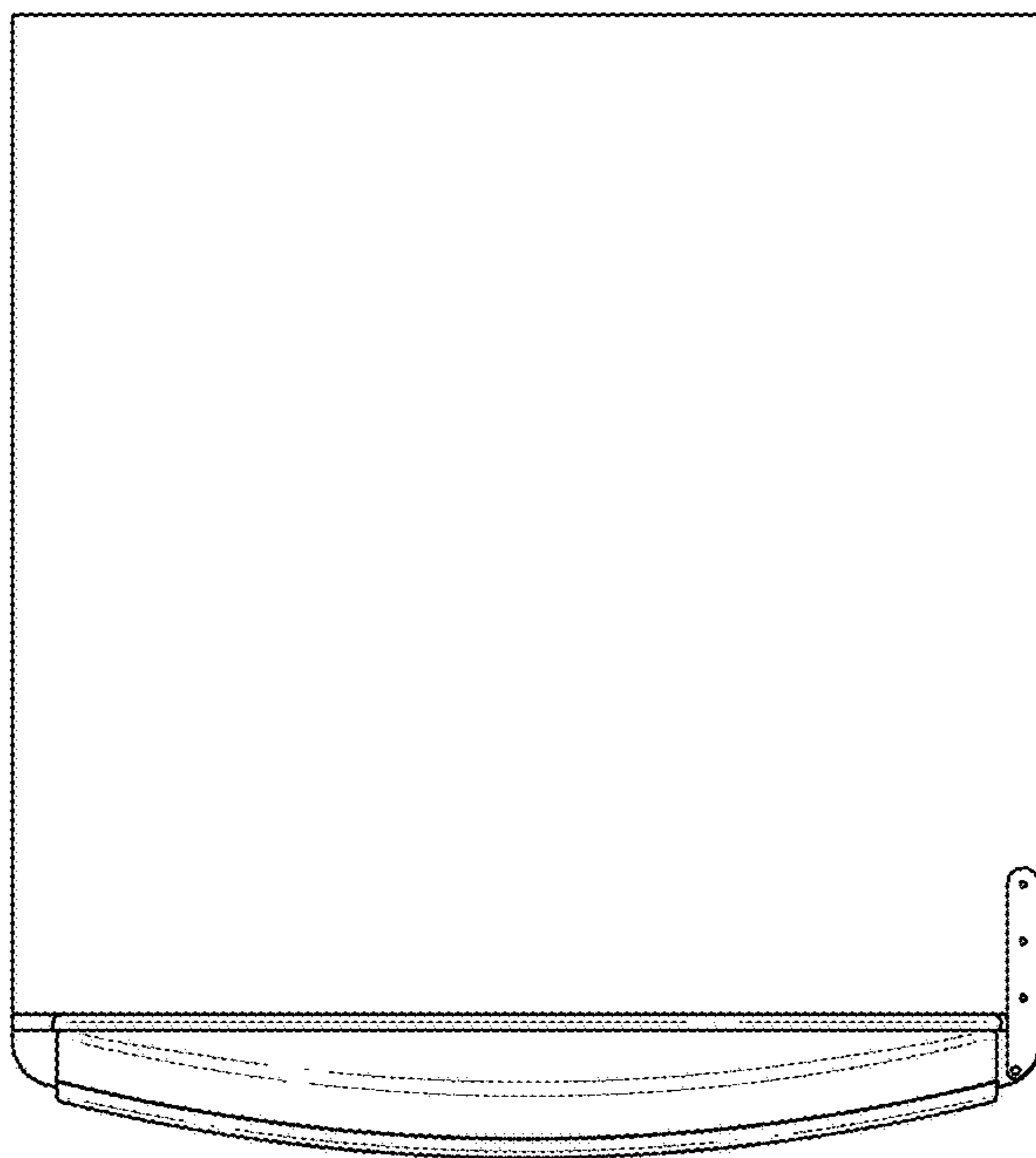


FIG. 13

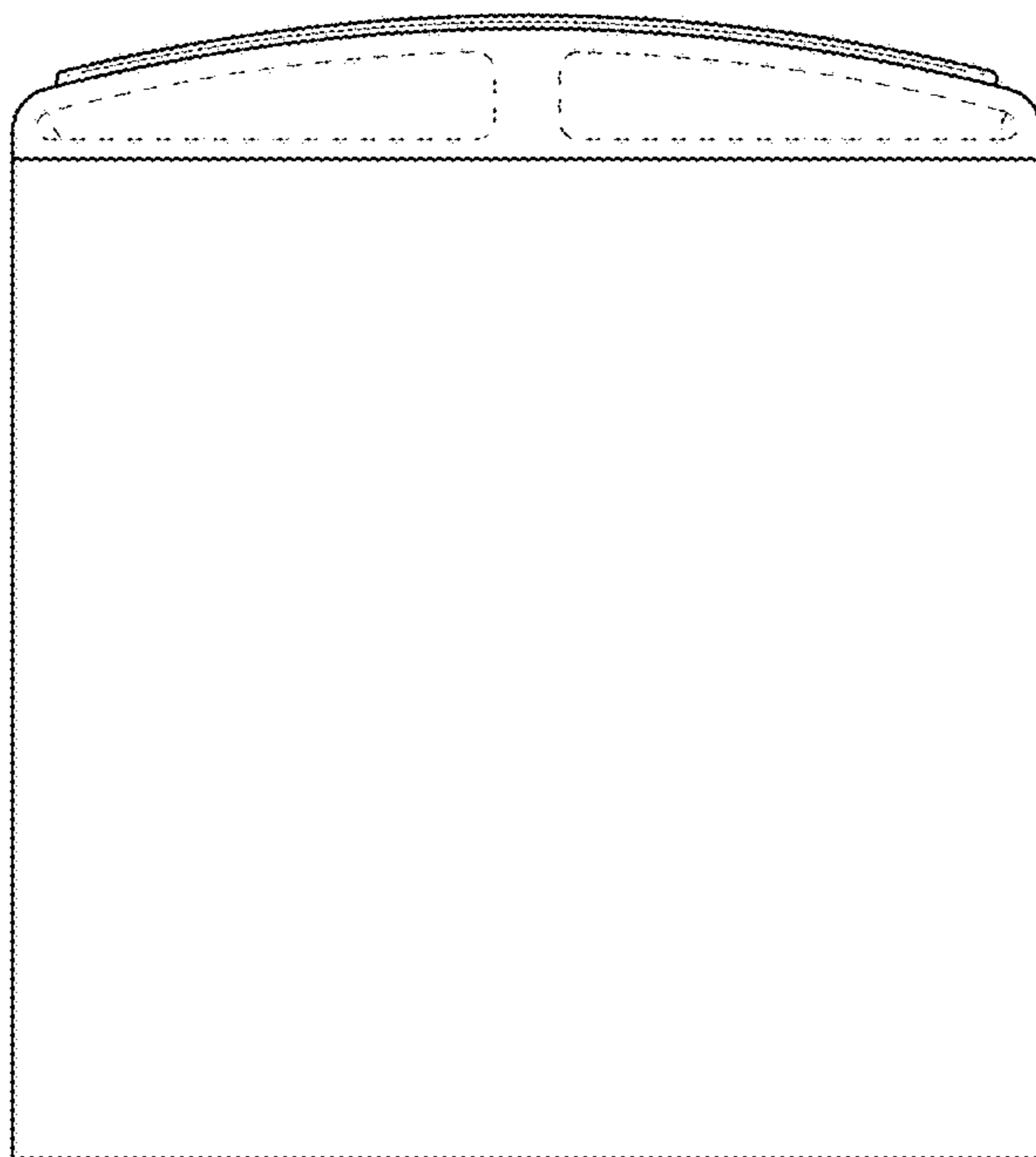


FIG. 14