



US00D803276S

(12) **United States Design Patent** (10) **Patent No.:** **US D803,276 S**
Adjabeng et al. (45) **Date of Patent:** **** Nov. 21, 2017**

(54) **COMPACT CHILLER AND CONDENSER**
(71) Applicant: **Ecodyst, Inc.**, Apex, NC (US)
(72) Inventors: **George Adjabeng**, Apex, NC (US);
Kwabena Williams, Durham, NC (US)

5,340,444 A 8/1994 van der Heijden
D351,965 S * 11/1994 Credle, Jr. D7/300
D358,290 S * 5/1995 Schroeder D7/309
D365,962 S * 1/1996 Amundsen D7/306
D375,650 S * 11/1996 Saito D7/307
(Continued)

(73) Assignee: **Ecodyst, Inc.**, Cary, NC (US)
(**) Term: **15 Years**

FOREIGN PATENT DOCUMENTS

CN 101402900 A 4/2009
DE 3 726 669 A1 2/1989
(Continued)

(21) Appl. No.: **29/547,529**

(22) Filed: **Dec. 4, 2015**

OTHER PUBLICATIONS

<https://www.youtube.com/watch?v=hTJxYVHyLOM>—Published on Jun. 27, 2016.*

(51) **LOC (10) Cl.** **15-07**
(52) **U.S. Cl.**
USPC **D15/79; D24/232**

(Continued)

(58) **Field of Classification Search**
USPC D7/304, 305, 306, 311, 316, 317;
D15/79, 81, 87, 89; D23/325, 328;
D24/107, 108, 232
CPC C23C 16/4487; F01K 19/10; F01K 9/003;
F01P 2060/14; F01P 3/2285; F25B
2400/0403; F25B 2700/21161
See application file for complete search history.

Primary Examiner — Manpreet Matharu
Assistant Examiner — Mojtaba Tehrani
(74) *Attorney, Agent, or Firm* — Jenkins, Wilson, Taylor & Hunt, P.A.

(57) **CLAIM**

The ornamental design for compact chiller and condenser, as shown and described.

(56) **References Cited**

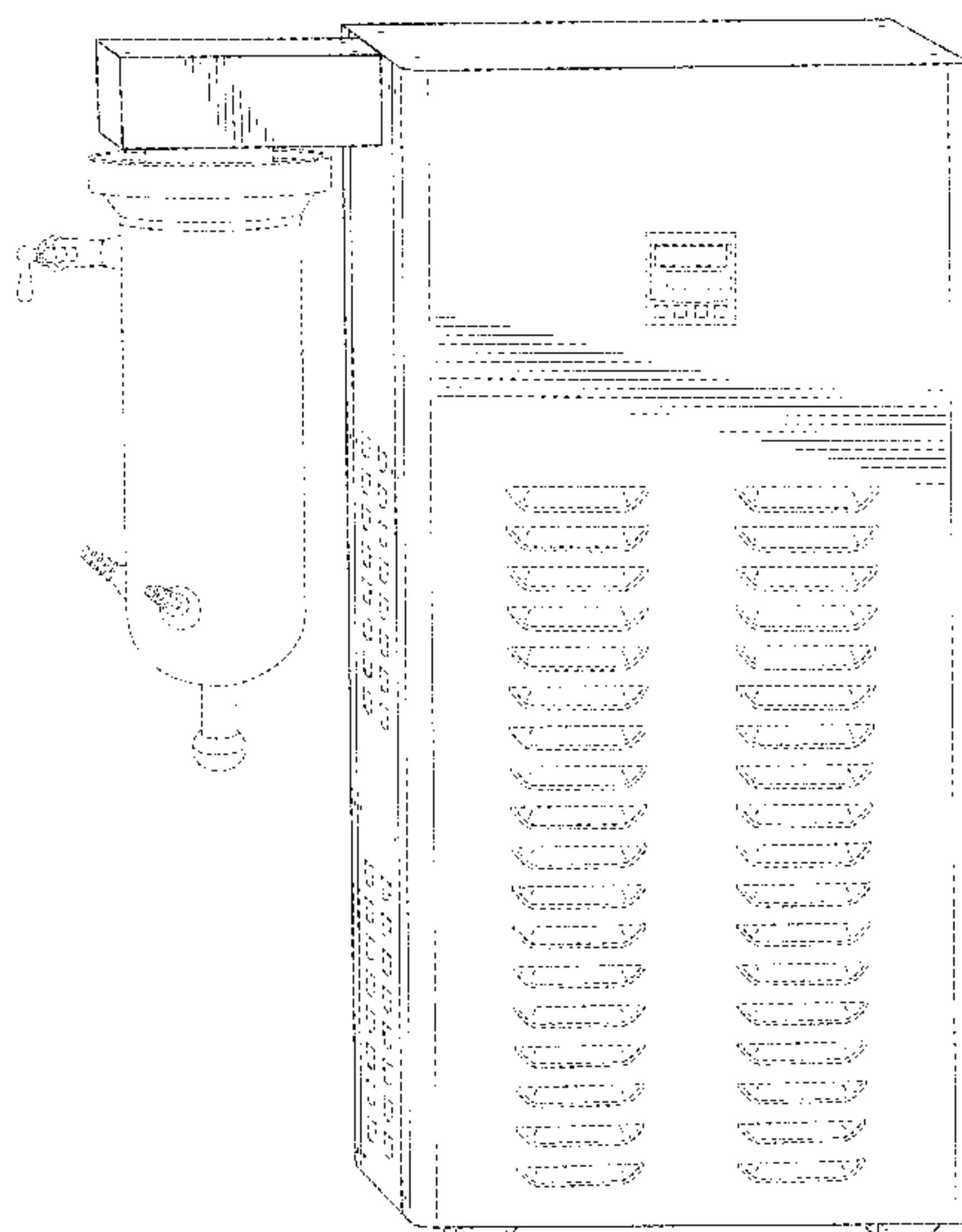
DESCRIPTION

U.S. PATENT DOCUMENTS

D83,687 S * 3/1931 Macready D7/306
D105,266 S * 7/1937 Cranston, Jr. D23/328
2,128,784 A 8/1938 Tull et al.
2,566,865 A 9/1951 Wingerter
D218,069 S * 7/1970 Cornelius et al. D15/81
D261,890 S * 11/1981 Caspersen D15/81
D265,653 S * 8/1982 Arzberger D7/311
4,370,046 A 1/1983 Van Bouwel et al.
D309,395 S * 7/1990 Thompson D7/311
D317,694 S * 6/1991 Dust D7/309
D328,995 S * 9/1992 Verheijen D7/307
D332,200 S * 1/1993 Credle, Jr. D7/311
5,181,559 A 1/1993 Svoboda
D344,527 S * 2/1994 Drago D15/79

FIG. 1 is a front perspective view of a compact chiller and condenser, showing our new design;
FIG. 2 is a front elevation view thereof;
FIG. 3 is a rear elevation view thereof;
FIG. 4 is a top plan view thereof;
FIG. 5 is a bottom plan view thereof;
FIG. 6 is a left side elevation thereof; and,
FIG. 7 is a right side elevation view thereof.
The broken line in the figure drawings represents unclaimed environment only and forms no part of the claimed design.

1 Claim, 6 Drawing Sheets



(56)

References Cited

U.S. PATENT DOCUMENTS

5,584,187 A 12/1996 Whaley
 5,916,351 A * 6/1999 Sintchak A47J 31/4403
 99/279
 5,937,662 A 8/1999 Schulak et al.
 D503,785 S * 4/2005 Otaki D15/79
 D503,786 S * 4/2005 Otaki D15/79
 D503,971 S * 4/2005 Otaki D15/79
 D522,114 S * 5/2006 Otaki D15/79
 D600,492 S * 9/2009 Hammad D7/306
 7,713,421 B2 5/2010 Galbraith
 D669,154 S * 10/2012 Choi D23/207
 9,005,403 B2 4/2015 Adjabeng
 D735,527 S * 8/2015 Palermo D7/309
 D750,209 S * 2/2016 Satou D23/364
 D760,305 S * 6/2016 Salin D15/82
 2011/0073459 A1 3/2011 Adjabeng
 2016/0146519 A1* 5/2016 Ito F28D 1/05383
 62/498

FOREIGN PATENT DOCUMENTS

DE 4 231 458 A1 3/1994
 EP 3223926 A1 10/2017
 WO WO 2005/113100 A1 12/2005
 WO WO 2016/086101 A1 6/2016

OTHER PUBLICATIONS

<http://www.ecodyst.com/>—Retrieved on Jul. 14, 2017.*
<http://cen.acs.org/articles/94/i5/One-Entrepreneur-Making-Rotary-Evaporators.html?h=684544369>—Published on Feb. 1, 2016.*
 Danfoss A/S, “Eliminator® filter drier: Why you need a filter drier in your system,” Mar. 2013 [Retrieved from the Internet on Jan. 6, 2015] <URL:<http://www.danfoss.com/NR/rdoonlyres/F7D20FF8-CE64-48BC-9EFC-00C66A4901C2/0/filterdrierinHVACRsystem.pdf>>; p. 1.
 Frank, P, “Schlenk Line Design and Safety,” Apr. 4, 2011, Stanford University [Retrieved from the Internet on Jan. 6, 2015] <URL:<http://operatingexperience.doe-hss.wikispaces.net/file/view/Schlenk+Line+Safety.pdf>>; pp. 2-3.
 International Search Report and Written Opinion for Application No. PCT/US15/62615 dated Feb. 5, 2016.
 International Search Report and Written Opinion for Application No. PCT/US16/36886 dated Sep. 7, 2016.
 KNF Neuberger Inc, “Rotary Evaporator RC 900” Sep. 2014 [Retrieved from the Internet on Jan. 6, 2015] <URL:http://www.knfusa.com/fileadmin/user_upload/PDF/US/Data_sheets/Updated_Datasheets/KNFUSA-Datasheet-RC900.pdf>; p. 2.
 Notice of Publication for European Application No. 15862685 dated Sep. 6, 2017.

* cited by examiner

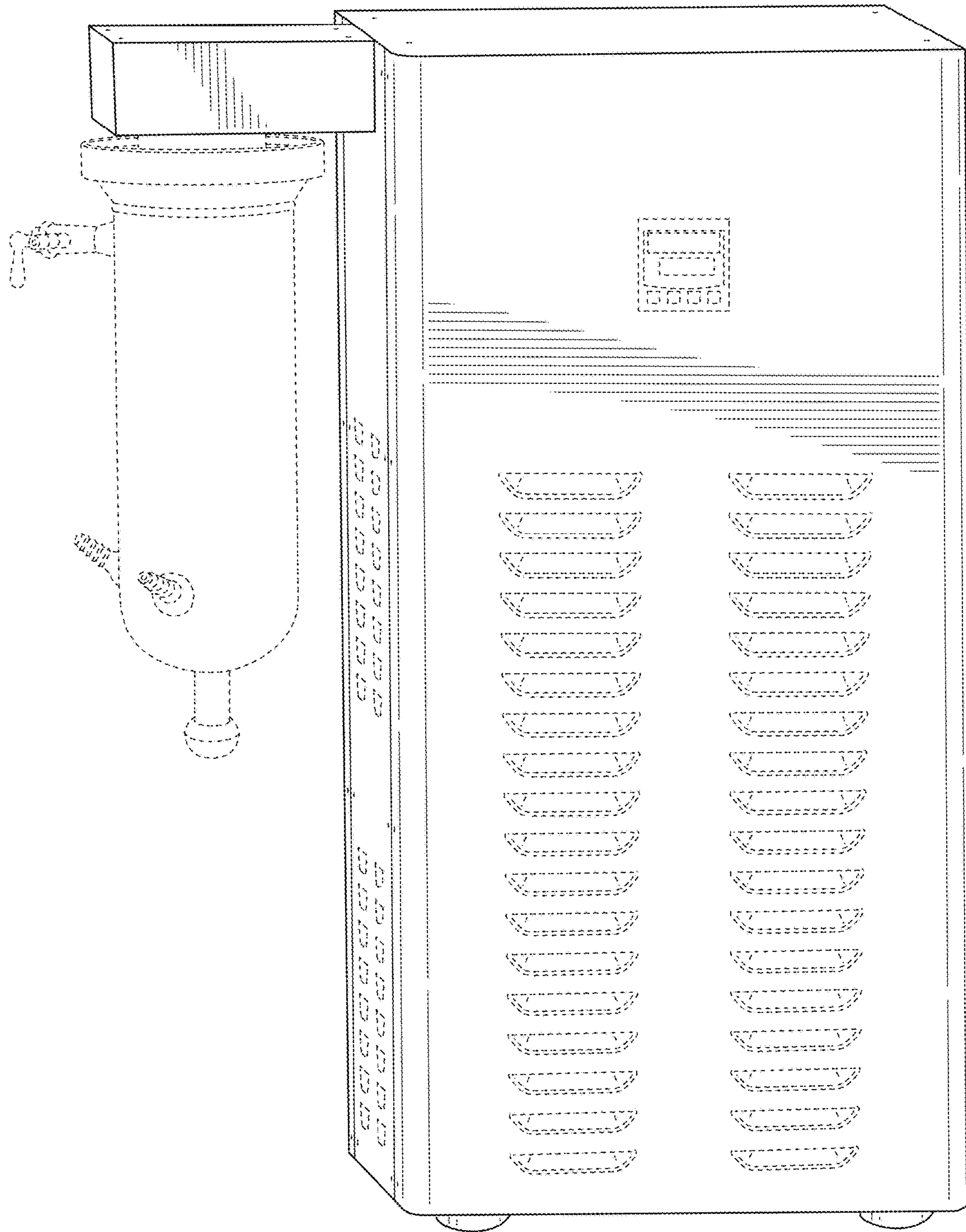


FIG. 1

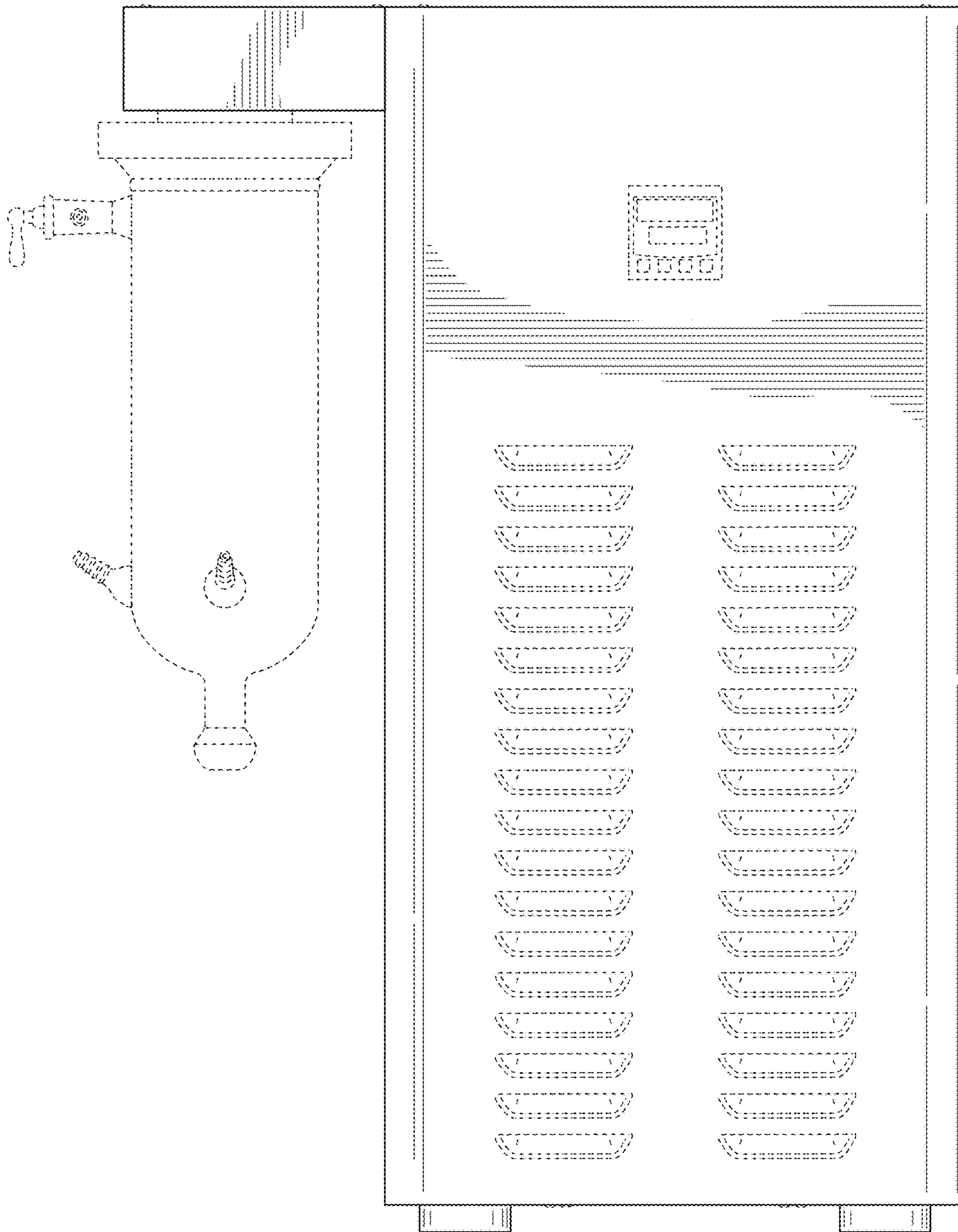


FIG. 2

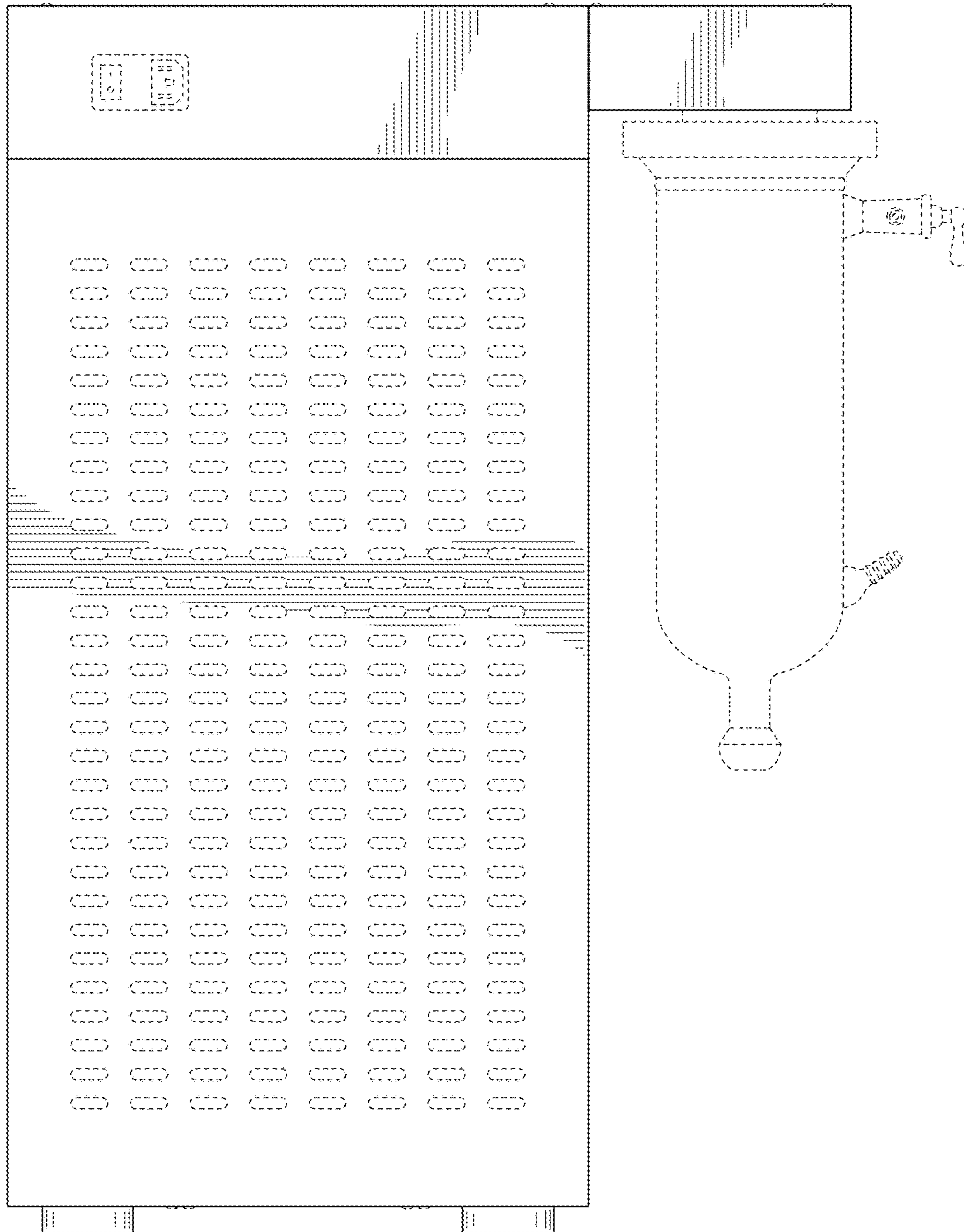


FIG. 3

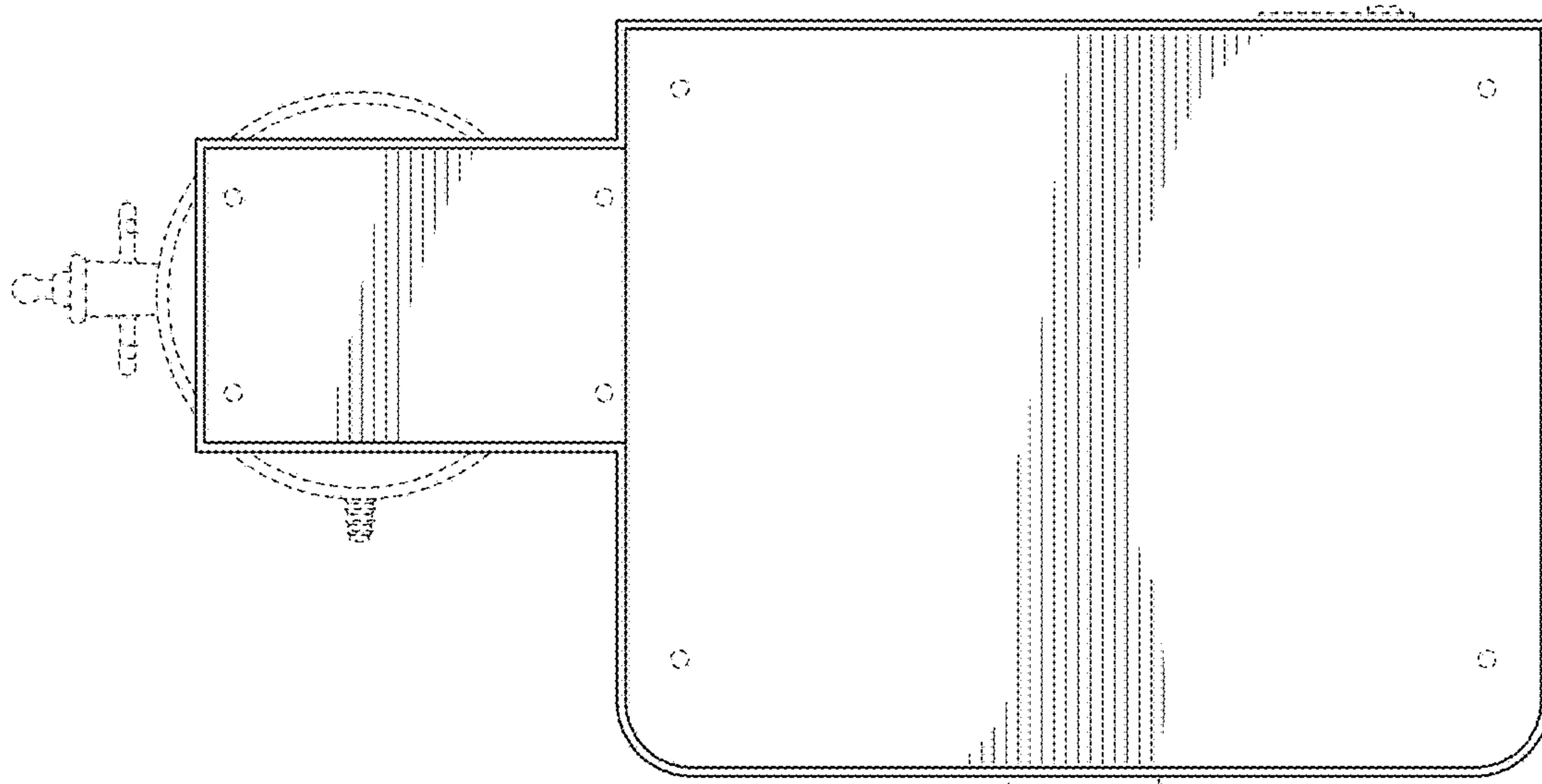


FIG. 4

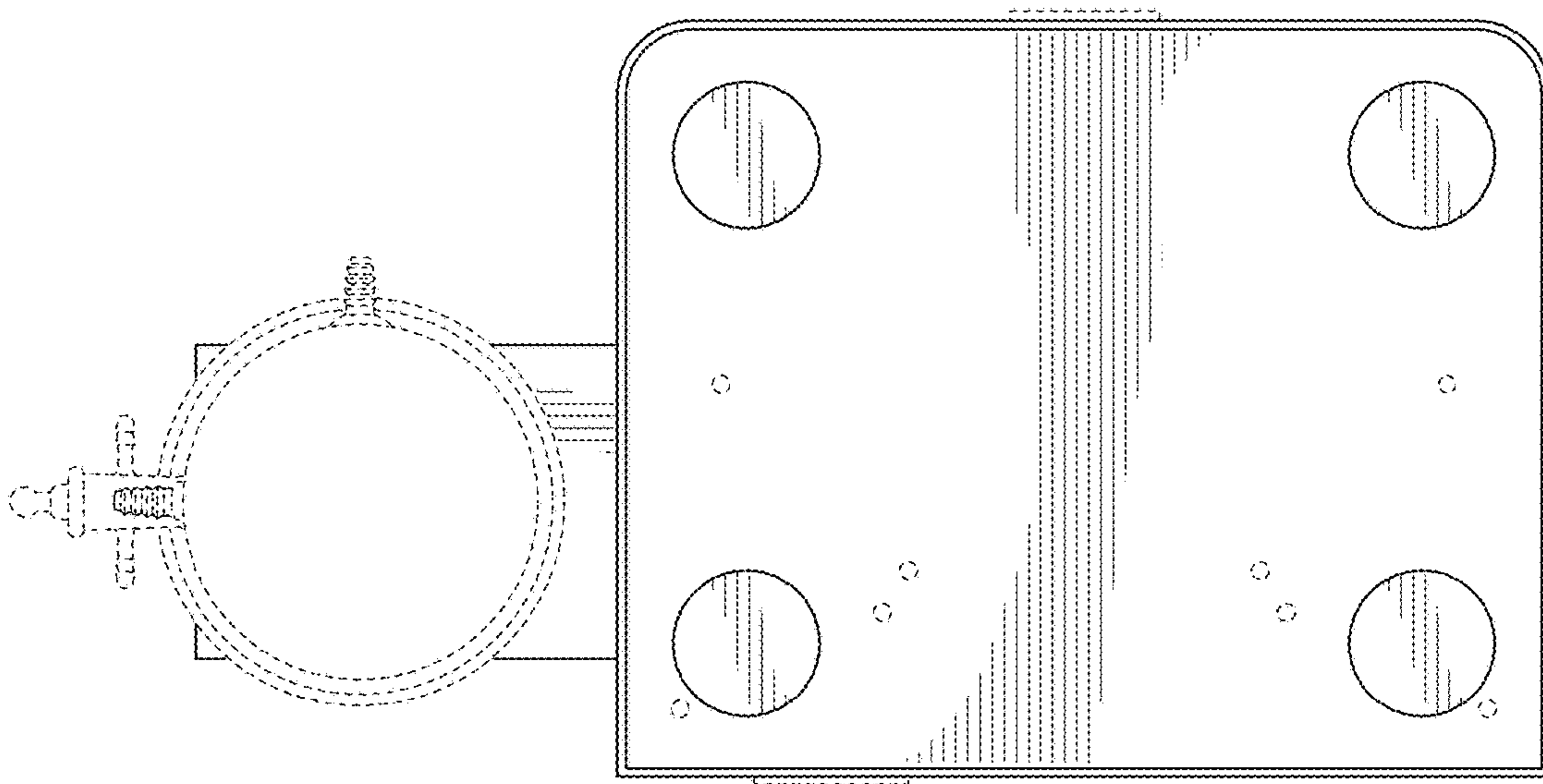


FIG. 5

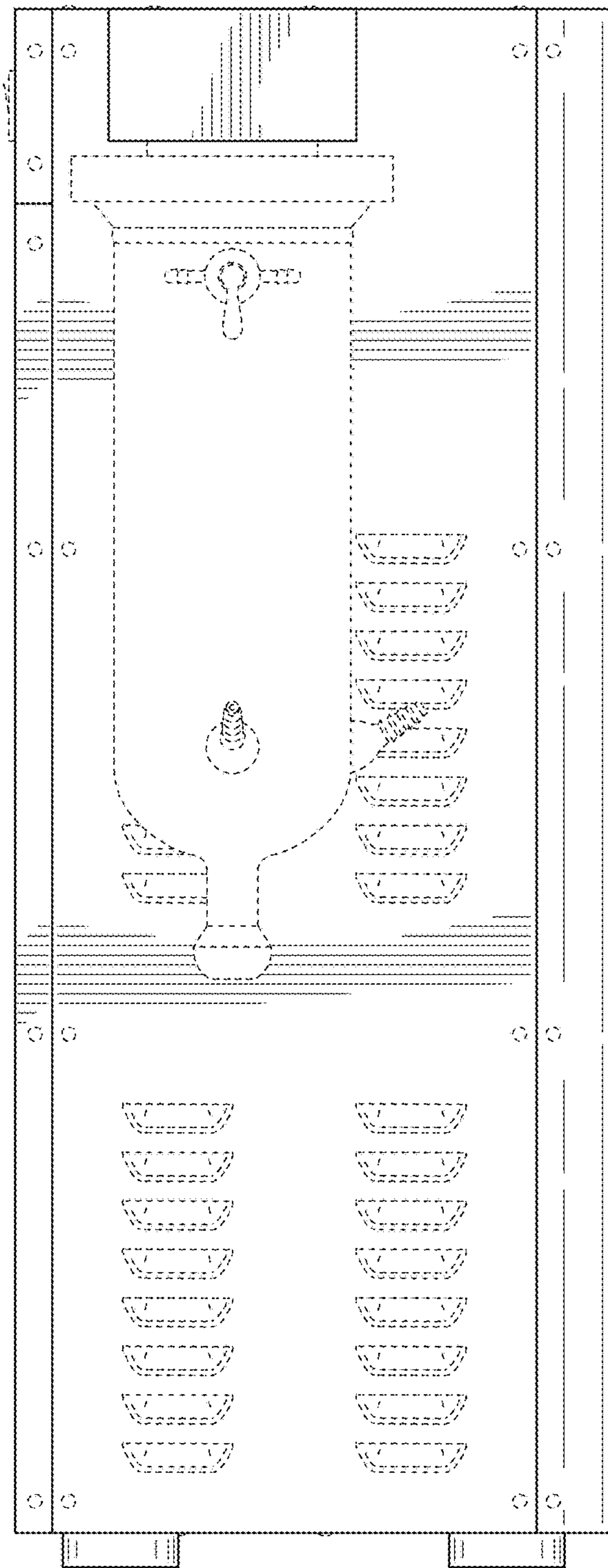


FIG. 6

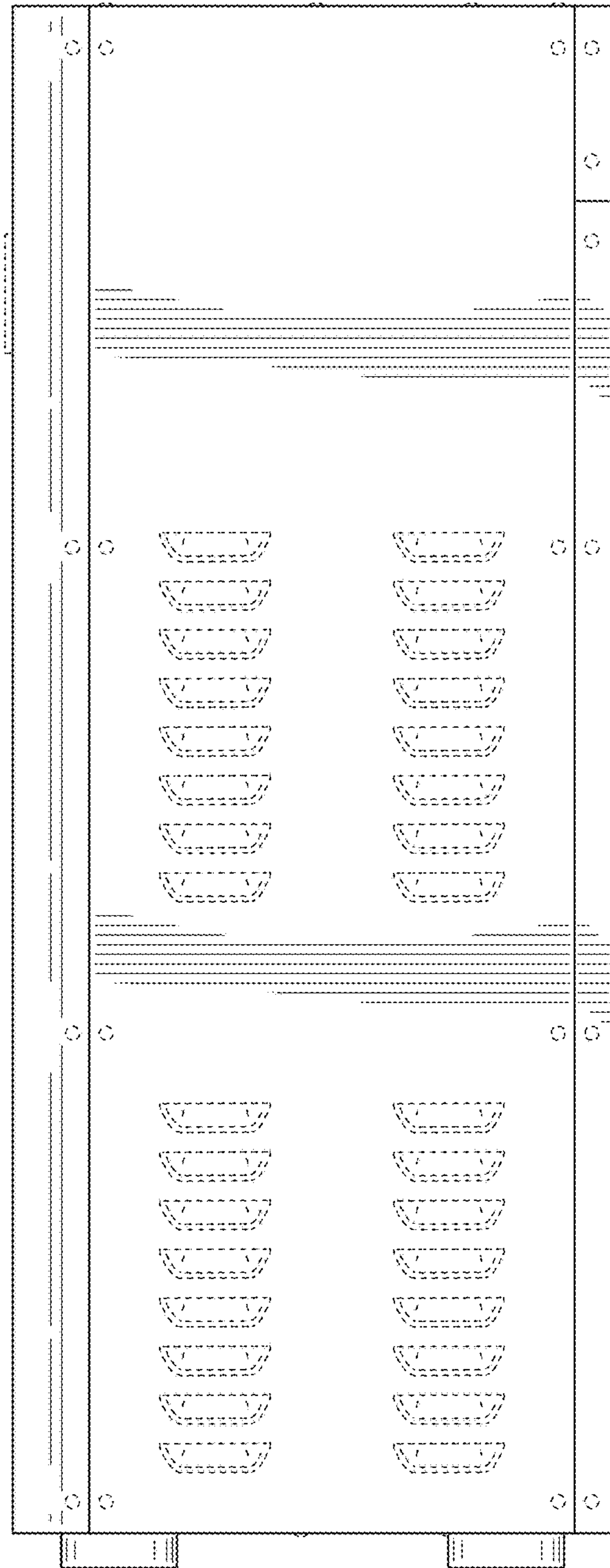


FIG. 7