



US00D803271S

(12) **United States Design Patent** (10) **Patent No.:** **US D803,271 S**  
**Fredricks et al.** (45) **Date of Patent:** **\*\* Nov. 21, 2017**

- (54) **STALK ROLL KNIFE** 5,040,361 A \* 8/1991 Briesemeister ..... A01D 45/025  
56/104
- (71) Applicant: **CNH Industrial America LLC**, New Holland, PA (US) 6,216,428 B1 4/2001 Becker et al.  
7,237,373 B2 \* 7/2007 Resing ..... A01D 45/025  
56/104
- (72) Inventors: **Eric Fredricks**, Davenport, IA (US);  
**James Gessel**, Geneseo, IL (US); **Brian Crow**, Rock Island, IL (US); **Eric Walker**, Narvon, PA (US); **Michael Berggren**, Davenport, IA (US) 9,210,842 B2 \* 12/2015 Lohrentz ..... A01D 45/025  
9,386,747 B2 \* 7/2016 Madheswaran ..... A01D 91/04  
9,560,804 B1 \* 2/2017 Calmer ..... A01D 45/025  
9,668,414 B2 \* 6/2017 Calmer ..... A01D 45/025  
2010/0178964 A1 7/2010 Anderson  
2011/0041472 A1 \* 2/2011 Rottinghaus ..... A01D 45/021  
56/119
- (73) Assignee: **CNH Industrial America LLC**, New Holland, PA (US) 2012/0042621 A1 \* 2/2012 Lohrentz ..... A01D 45/021  
56/109  
2014/0260164 A1 \* 9/2014 Lohrentz ..... A01D 45/025  
56/104  
2015/0319926 A1 \* 11/2015 Madheswaran ..... A01D 91/04  
56/104
- (\*\*) Term: **15 Years**
- (21) Appl. No.: **29/583,698**
- (22) Filed: **Nov. 8, 2016**

**Related U.S. Application Data**

- (63) Continuation of application No. 15/248,875, filed on Aug. 26, 2016.
- (51) **LOC (10) Cl.** ..... **15-03**
- (52) **U.S. Cl.**  
USPC ..... **D15/17**
- (58) **Field of Classification Search**  
USPC ..... D15/10-32  
CPC ..... A01D 34/44; A01D 41/06; A01D 57/06;  
A01D 2101/00; A01D 45/00; A01D 45/02  
See application file for complete search history.

**References Cited**

**U.S. PATENT DOCUMENTS**

- 2,845,972 A \* 8/1958 Hedtke ..... A01F 29/095  
241/244
- 4,233,804 A \* 11/1980 Fischer ..... A01D 45/025  
56/104
- D311,744 S \* 10/1990 Misico ..... D15/28

**FOREIGN PATENT DOCUMENTS**

WO 2012052866 11/2012

\* cited by examiner

*Primary Examiner* — Mark Goodwin

(74) *Attorney, Agent, or Firm* — Peter K. Zacharias

(57) **CLAIM**

The ornamental design for a stalk roll knife, as shown and described.

**DESCRIPTION**

FIG. 1 is a perspective view of a stalk roll knife of the present design.

FIG. 2 is a top view of the stalk roll knife of FIG. 1.

FIG. 3 is a bottom view of the stalk roll knife of FIG. 1.

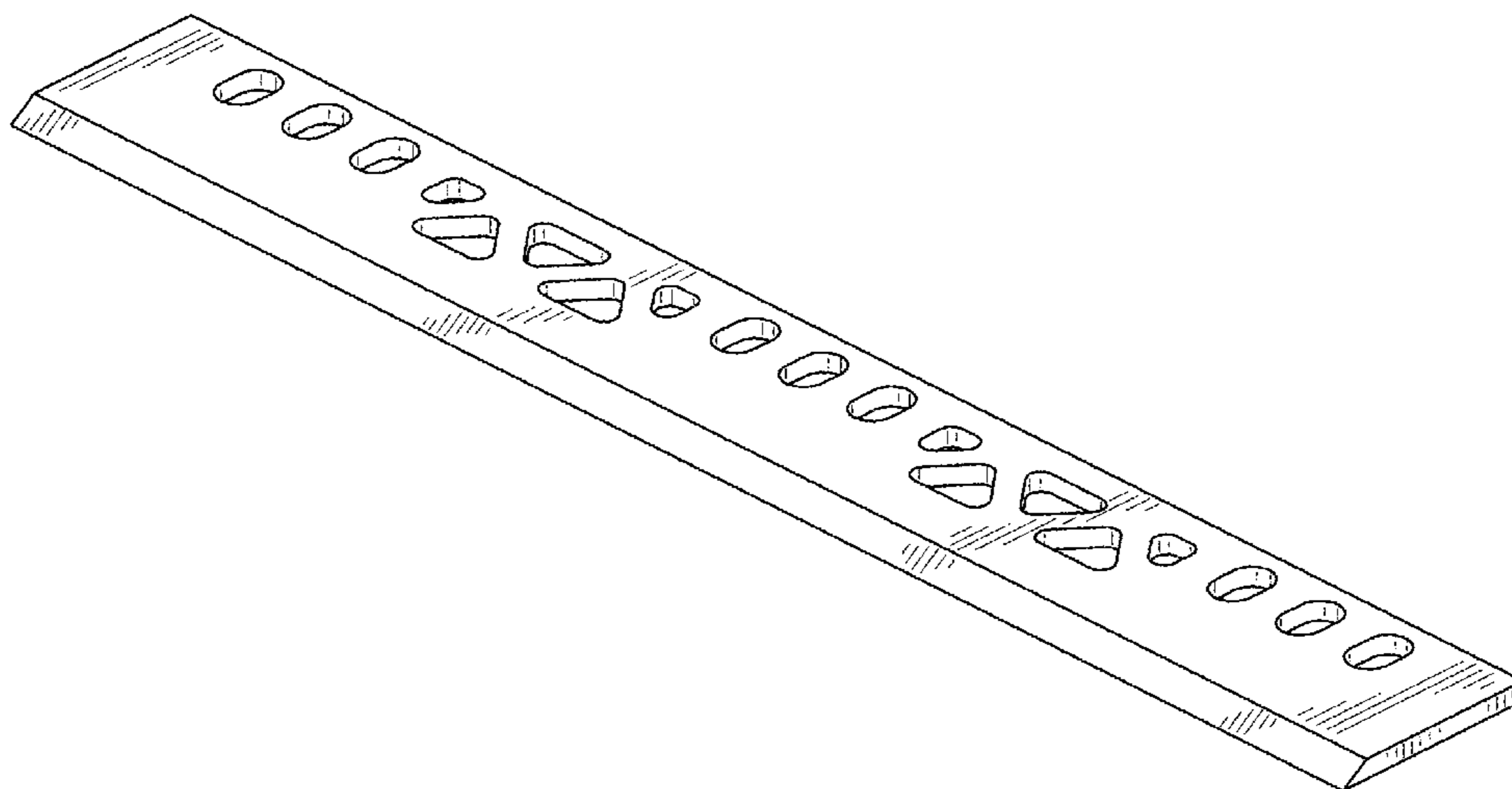
FIG. 4 is a front view of the stalk roll knife of FIG. 1.

FIG. 5 is a rear view of the stalk roll knife of FIG. 1.

FIG. 6 is a right side view of the stalk roll knife of FIG. 1; and,

FIG. 7 is a left side view of the stalk roll knife of FIG. 1.

**1 Claim, 3 Drawing Sheets**



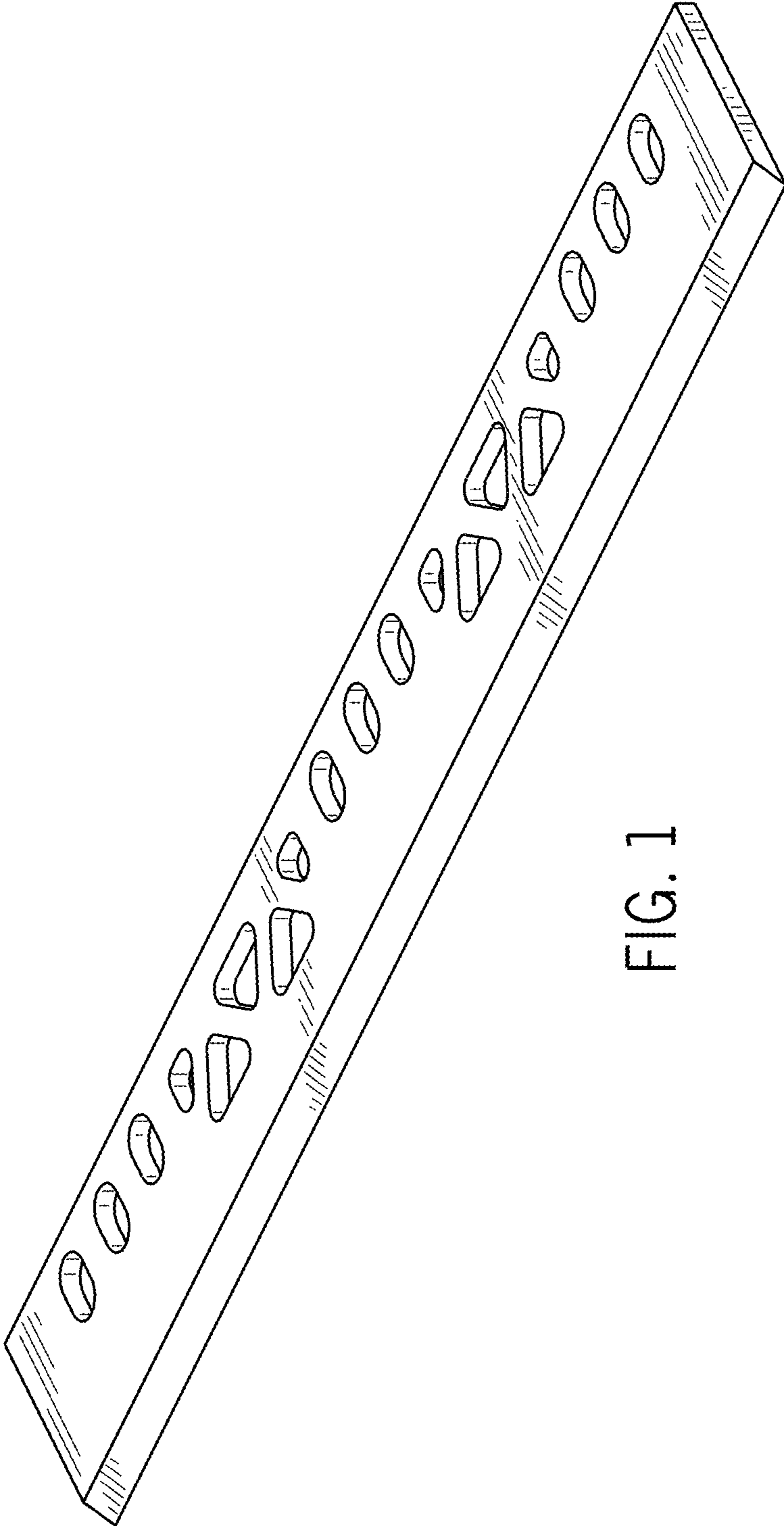


FIG. 1

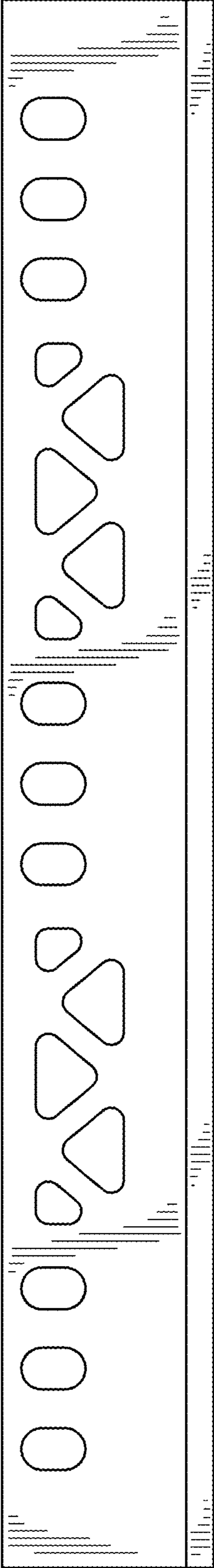


FIG. 2

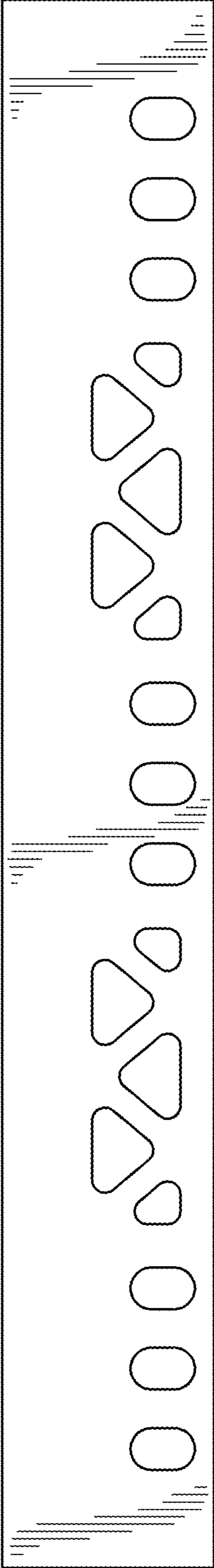


FIG. 3



FIG. 4



FIG. 5



FIG. 6



FIG. 7