



US00D803270S

(12) **United States Design Patent**
Chen

(10) **Patent No.:** **US D803,270 S**

(45) **Date of Patent:** **** Nov. 21, 2017**

- (54) **AIR COMPRESSOR**
- (71) Applicant: **Chi-Wen Chen**, New Taipei (TW)
- (72) Inventor: **Chi-Wen Chen**, New Taipei (TW)
- (**) Term: **15 Years**
- (21) Appl. No.: **29/571,178**
- (22) Filed: **Jul. 15, 2016**
- (51) **LOC (10) Cl.** **15-02**
- (52) **U.S. Cl.**
USPC **D15/9**
- (58) **Field of Classification Search**
USPC D15/7-9; D23/231, 232, 225; 417/60,
417/235, 265, 321, 355, 358, 363, 359,
417/410.1, 415-416, 405, 900, 269, 539;
60/408, 412; 184/26-37; 415/140-147;
123/495, 509; 137/565.34
CPC F02M 37/04; F02M 37/14; F04B 53/92;
F04B 1/005; F04B 35/04
See application file for complete search history.

- 6,331,101 B2 * 12/2001 Leu F04B 35/04
417/415
- D499,119 S * 11/2004 Thomas, Jr. D15/9
- D613,633 S * 4/2010 Leu D15/9
- D654,933 S * 2/2012 Yamanaka D15/7
- D681,679 S * 5/2013 Osaka D15/7
- D684,999 S * 6/2013 Osaka D15/7
- D689,526 S * 9/2013 Tsai D15/9
- D700,625 S * 3/2014 Iwagoshi D15/7

* cited by examiner

Primary Examiner — Ralf Seifert

(74) *Attorney, Agent, or Firm* — Leong C. Lei

(57) **CLAIM**

The ornamental design for an air compressor, as shown and described.

DESCRIPTION

FIG. 1 is a front perspective view of an air compressor showing my new design;
 FIG. 2 is a front elevational view thereof;
 FIG. 3 is a rear elevational view thereof;
 FIG. 4 is a left elevational view thereof;
 FIG. 5 is a right elevational view thereof;
 FIG. 6 is a top plan view thereof; and,
 FIG. 7 is a bottom plan view thereof.

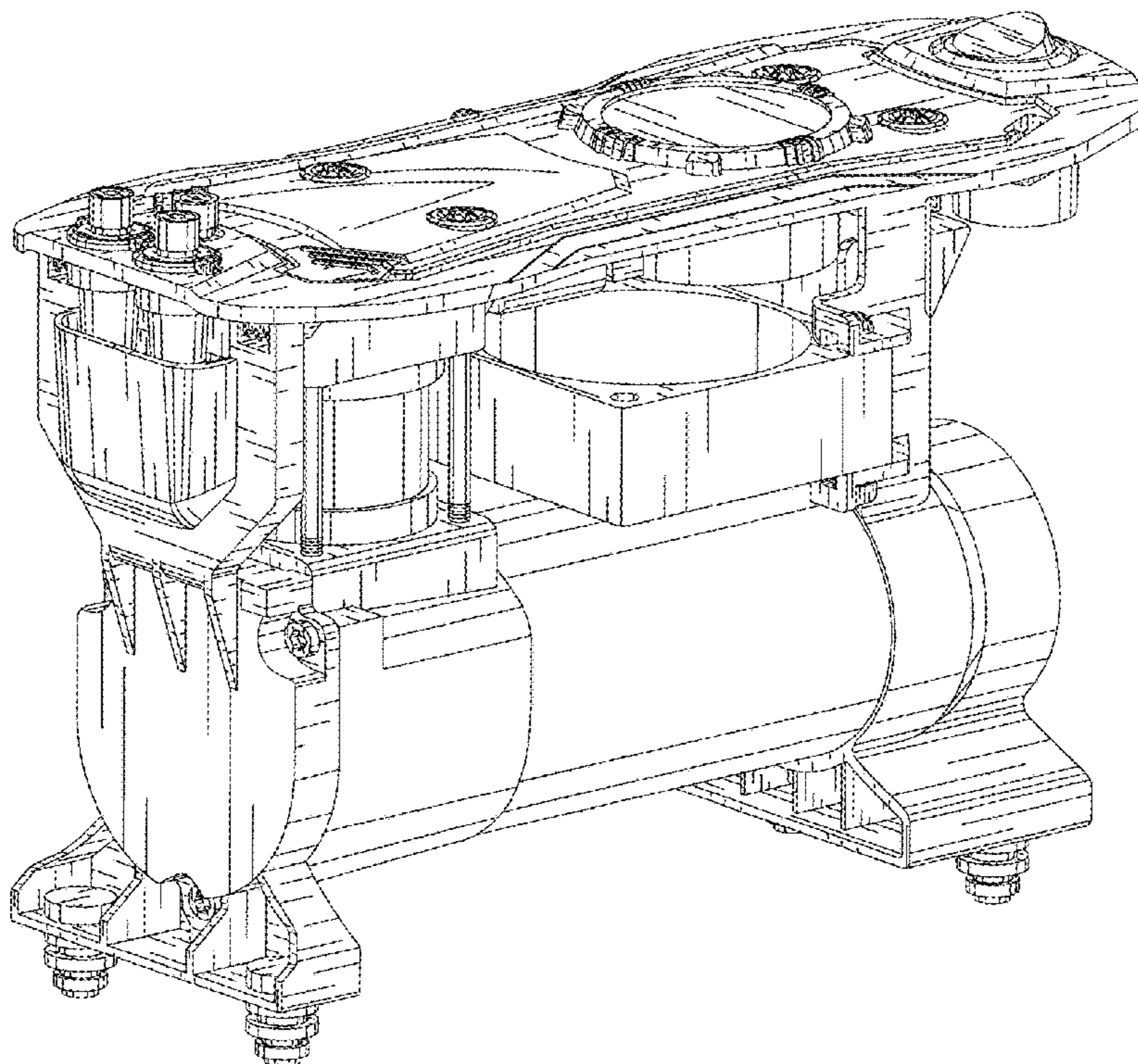
The portions shown in broken lines form no part of the claimed design.

1 Claim, 7 Drawing Sheets

(56) **References Cited**

U.S. PATENT DOCUMENTS

- D377,967 S * 2/1997 Rozek D15/9
- D379,996 S * 6/1997 Leu D15/9
- D382,883 S * 8/1997 Breitzman D15/9
- D412,174 S * 7/1999 Faulkner D15/9



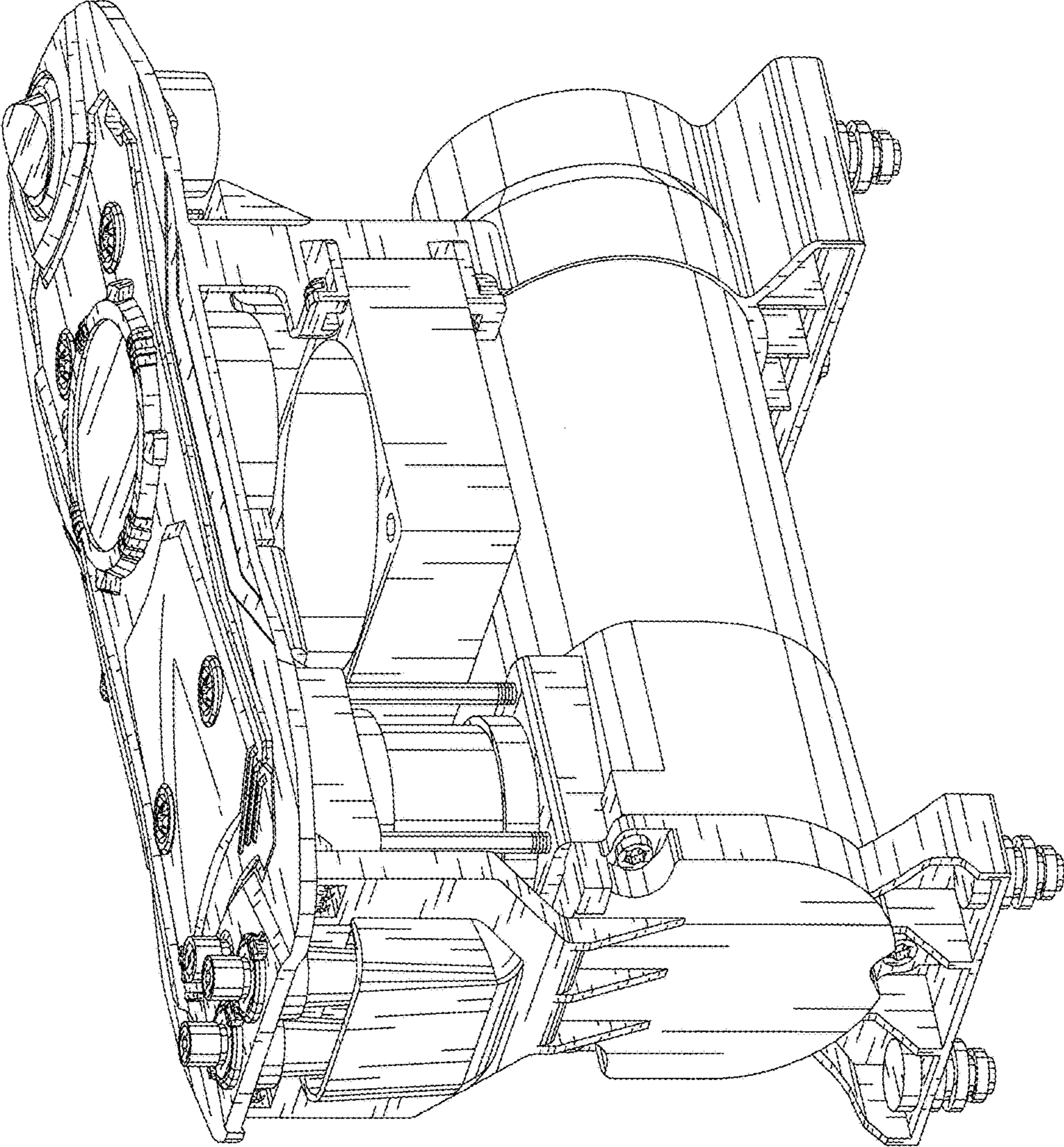


FIG. 1

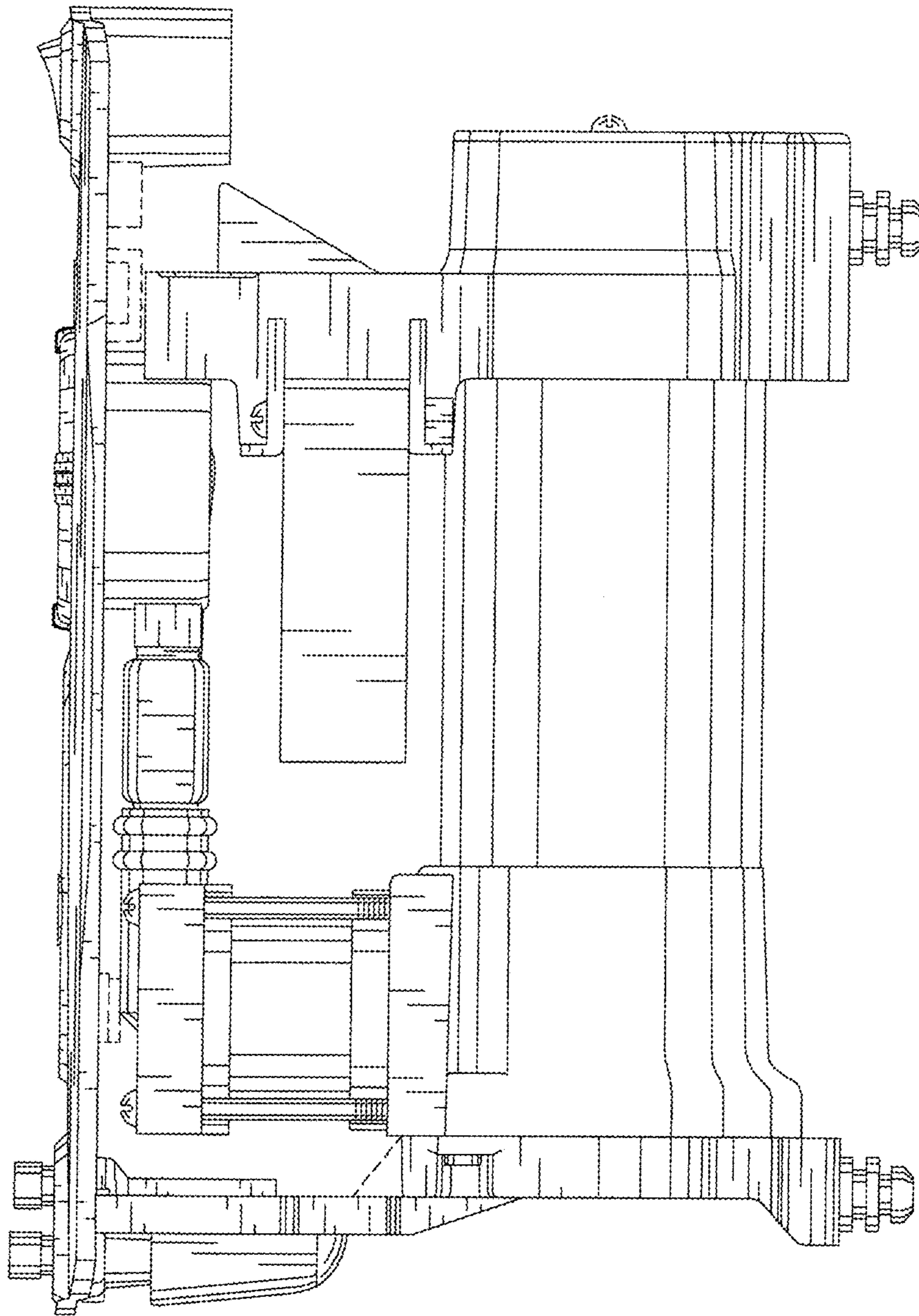


FIG. 2

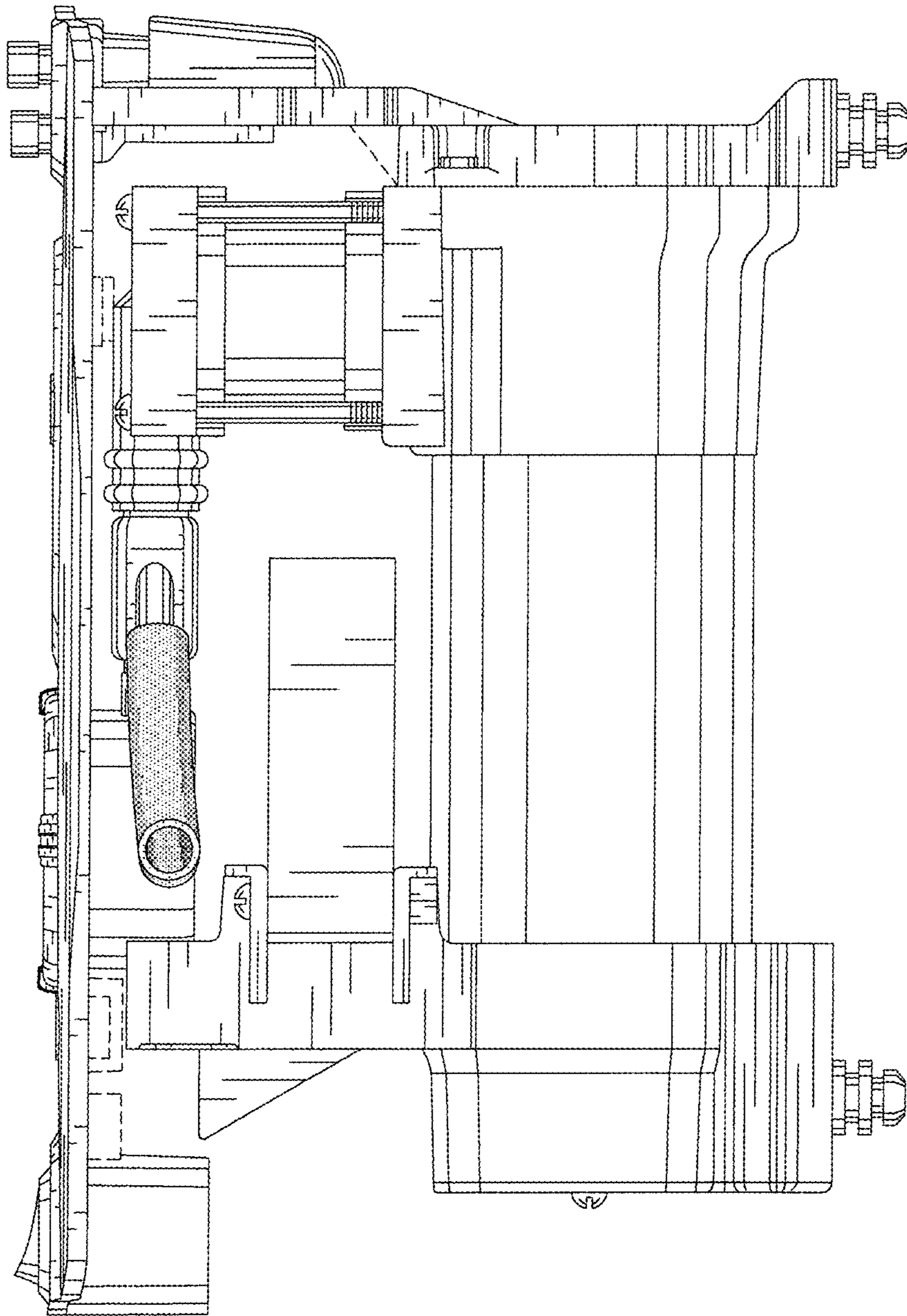


FIG. 3

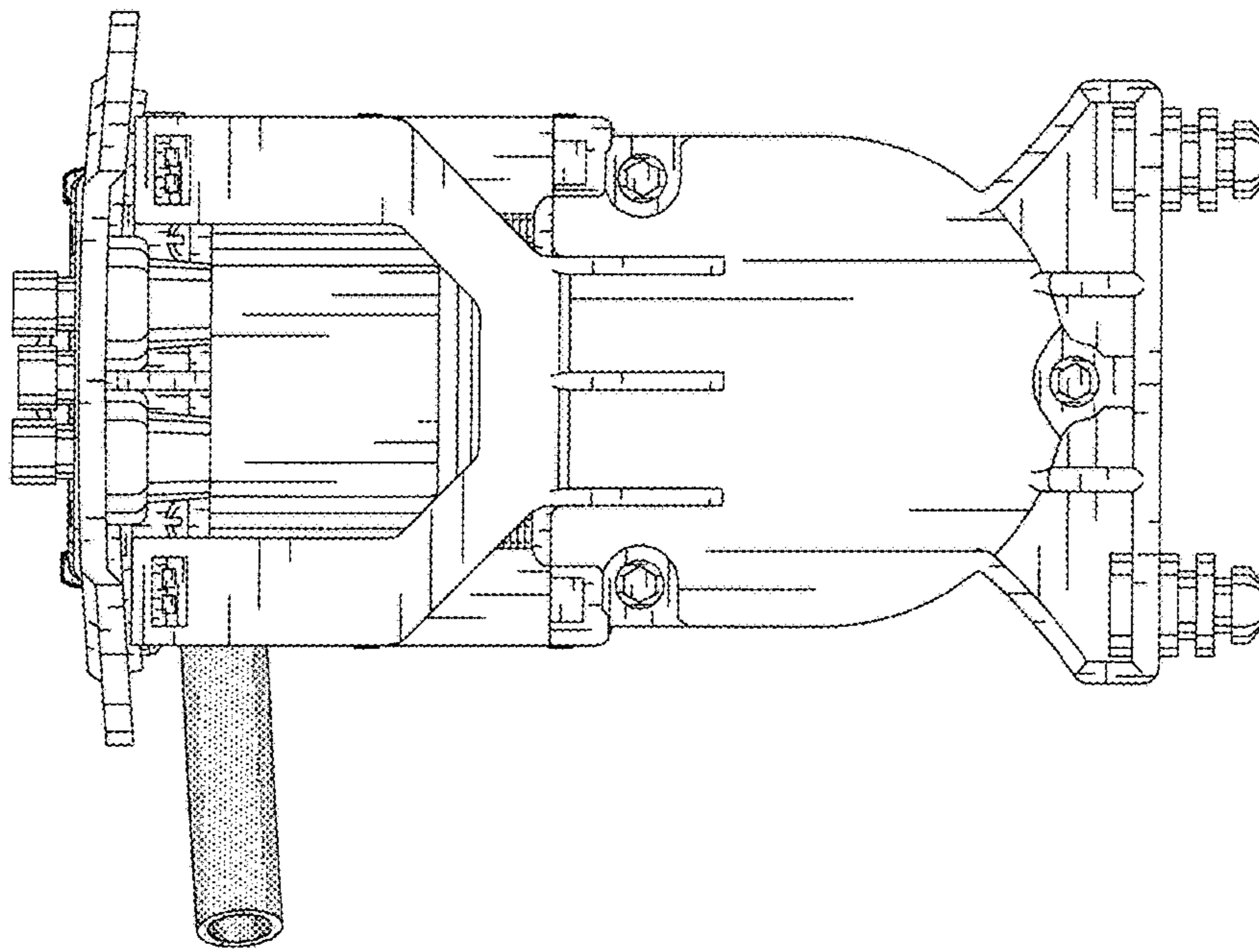


FIG. 4

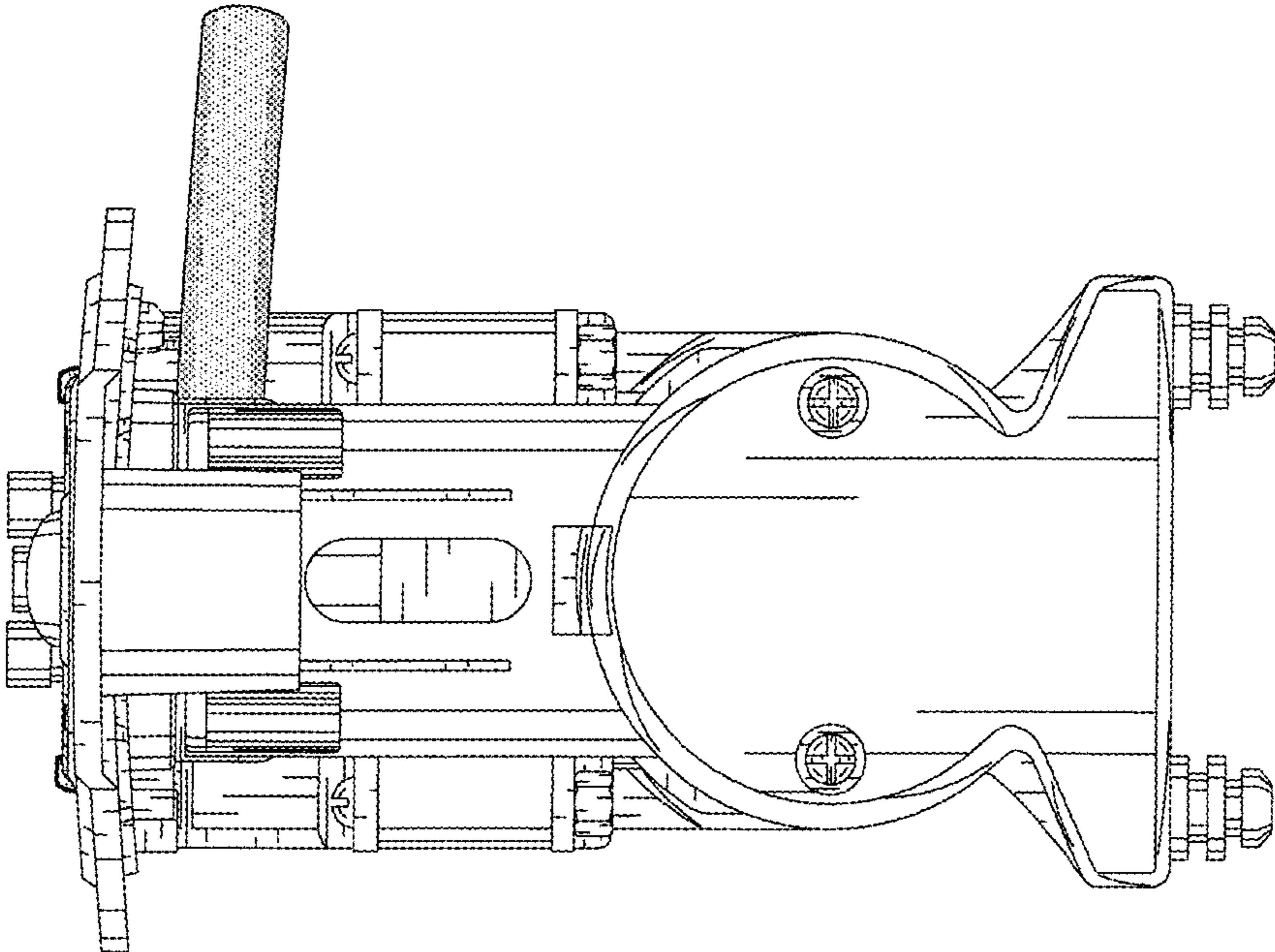


FIG. 5

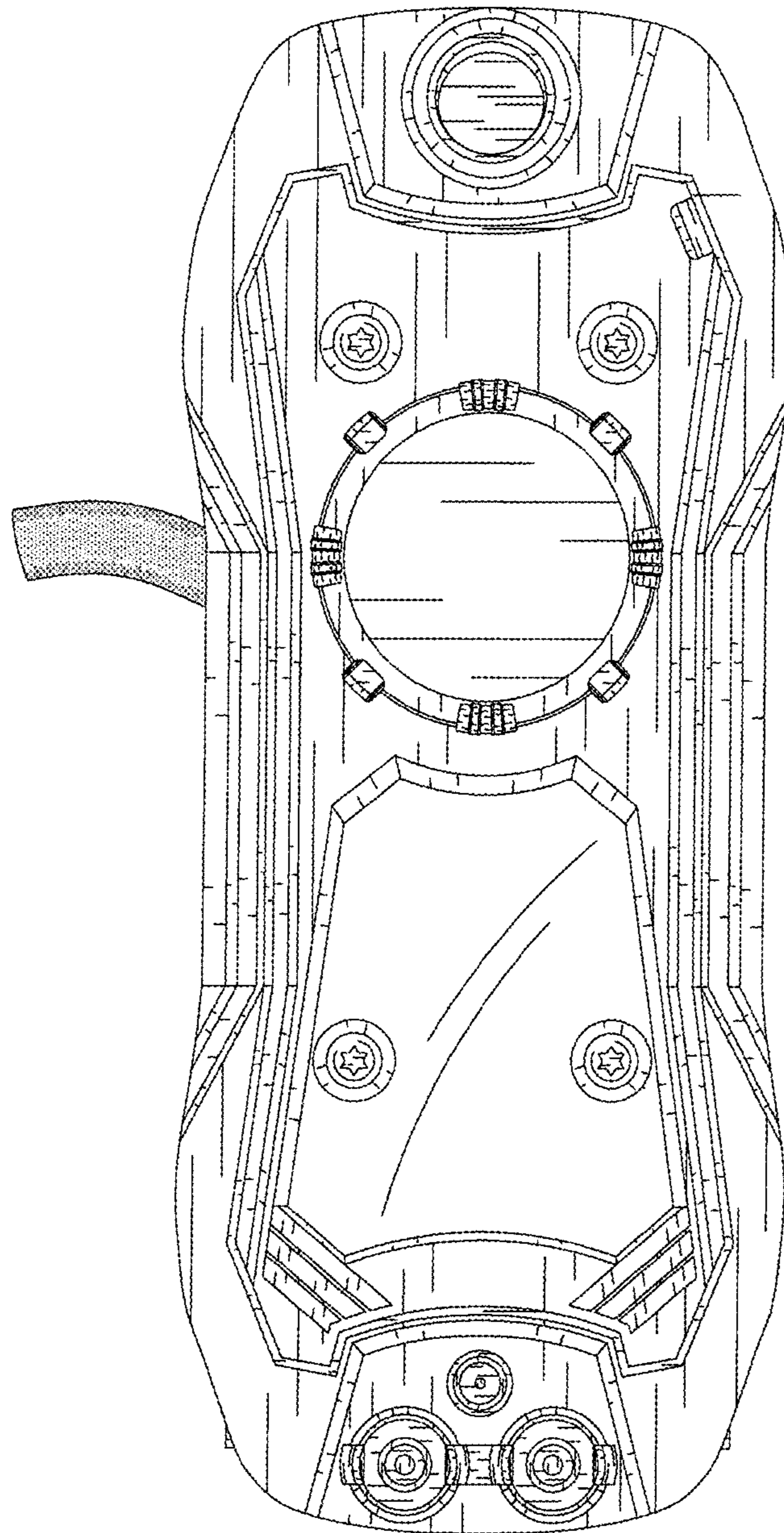


FIG. 6

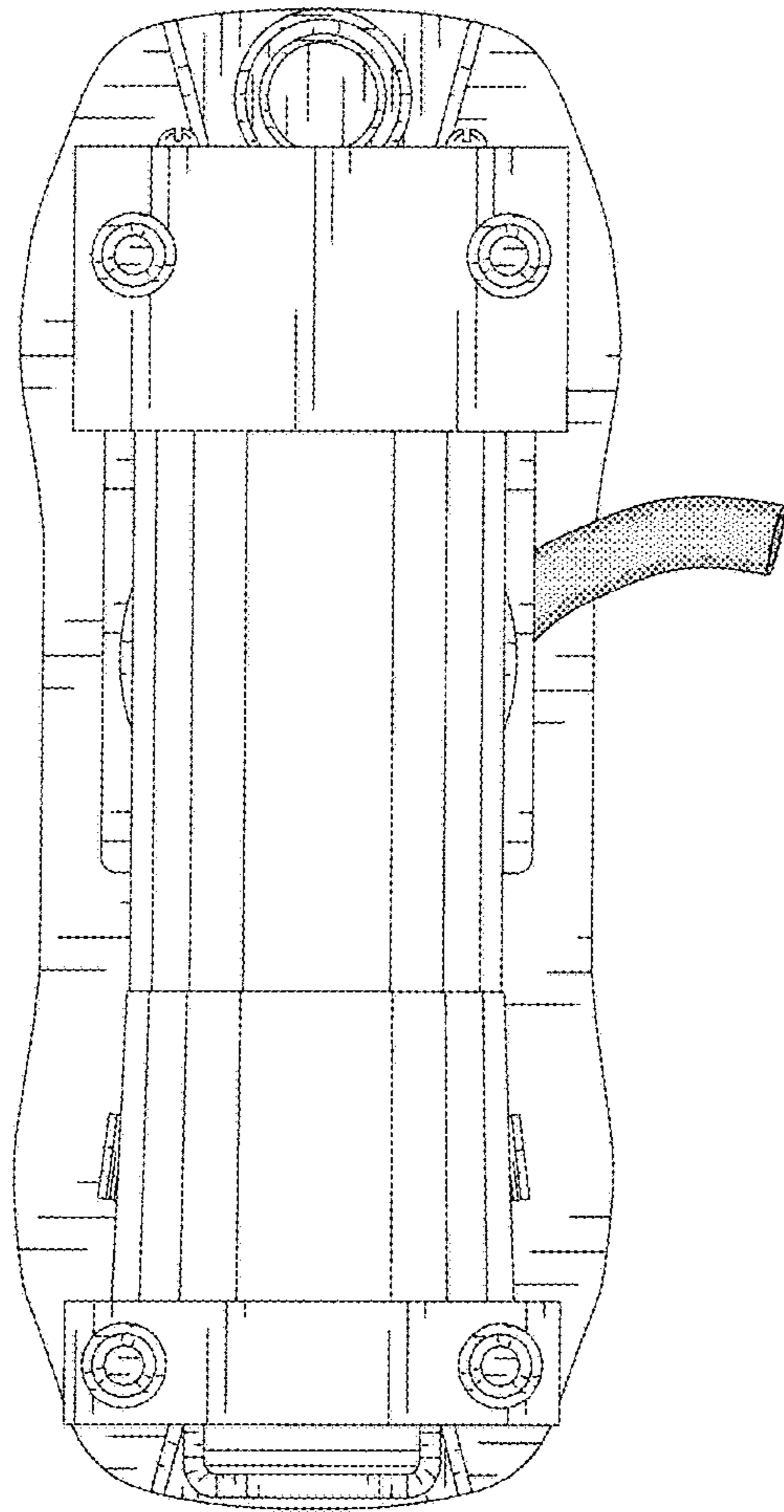


FIG. 7