



US00D803268S

(12) **United States Design Patent**
Hung

(10) **Patent No.:** **US D803,268 S**

(45) **Date of Patent:** **** Nov. 21, 2017**

(54) **HYDRAULIC HAND PUMP**

(71) Applicant: **Jung-Liang Hung**, Minsyong
Township, Chiayi County (TW)

(72) Inventor: **Jung-Liang Hung**, Minsyong
Township, Chiayi County (TW)

(**) Term: **15 Years**

(21) Appl. No.: **29/576,051**

(22) Filed: **Aug. 31, 2016**

(51) **LOC (10) Cl.** **15-02**

(52) **U.S. Cl.**
USPC **D15/7**

(58) **Field of Classification Search**
USPC D15/7-9; D23/231, 232, 225; 417/60,
417/235, 265, 321, 355, 358, 363, 359,
417/410.1, 415-416, 405, 900, 269, 539,
417/437; 60/408, 412; 184/26-37;
415/140-147; 123/495, 509; 137/565.34;
222/324; 92/24
CPC F02M 37/04; F02M 37/14; F04B 53/92;
F04B 1/005; F04B 33/005
See application file for complete search history.

(56) **References Cited**

U.S. PATENT DOCUMENTS

- 1,348,058 A * 7/1920 Service F04B 33/005
417/903
- D270,912 S * 10/1983 Sessody D15/7
- 4,671,746 A * 6/1987 Sessody B66F 3/42
264/274
- 4,976,372 A * 12/1990 Rogers, Jr. B05C 17/015
184/39
- 6,068,164 A * 5/2000 Totaro F16N 3/12
222/389

- D440,730 S * 4/2001 Lu D34/31
- D463,452 S * 9/2002 Soderqvist D15/7
- D520,522 S * 5/2006 Bakker D15/7
- 7,316,177 B2 * 1/2008 Bakker F04B 9/14
92/15
- D658,742 S * 5/2012 Anderson D15/7
- D658,743 S * 5/2012 Anderson D15/7
- D662,570 S * 6/2012 Anderson D15/7
- D663,802 S * 7/2012 Anderson D15/7
- D665,051 S * 8/2012 Anderson D15/7

* cited by examiner

Primary Examiner — Ralf Seifert

(74) *Attorney, Agent, or Firm* — Alan D. Kamrath;
Kamrath IP Lawfirm, P.A.

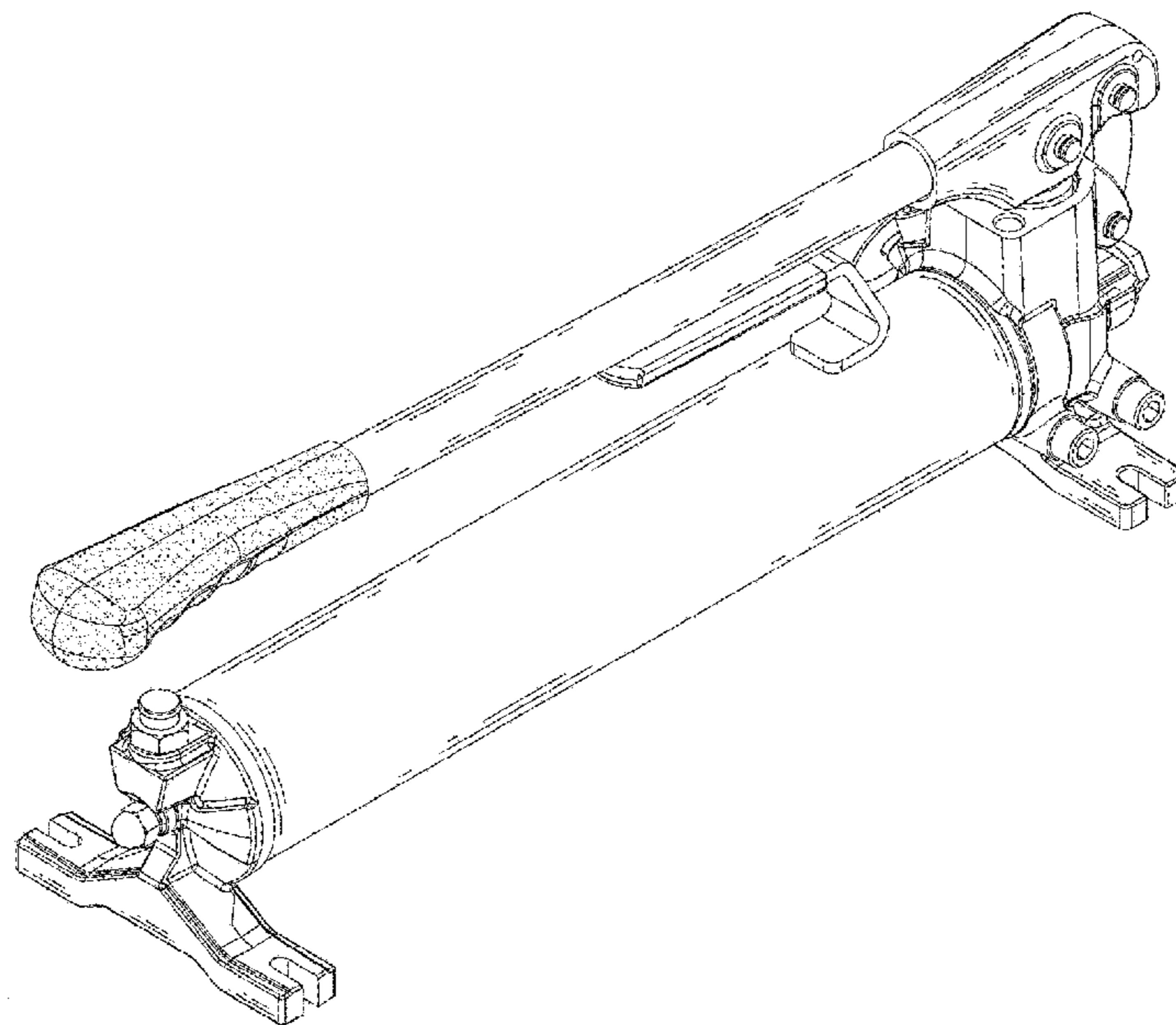
(57) **CLAIM**

The ornamental design for a hydraulic hand pump, as shown and described.

DESCRIPTION

FIG. 1 is a left front side perspective view of a hydraulic hand pump showing my design;
 FIG. 2 is a right rear side perspective view of the hydraulic hand pump as shown in FIG. 1;
 FIG. 3 is a front elevational view of the hydraulic hand pump as shown in FIG. 1;
 FIG. 4 is a rear elevational view of the hydraulic hand pump as shown in FIG. 1;
 FIG. 5 is a left side elevational view of the hydraulic hand pump as shown in FIG. 1;
 FIG. 6 is a right side elevational view of the hydraulic hand pump as shown in FIG. 1;
 FIG. 7 is a top plan view of the hydraulic hand pump as shown in FIG. 1; and,
 FIG. 8 is a bottom plan view of the hydraulic hand pump as shown in FIG. 1.

1 Claim, 8 Drawing Sheets



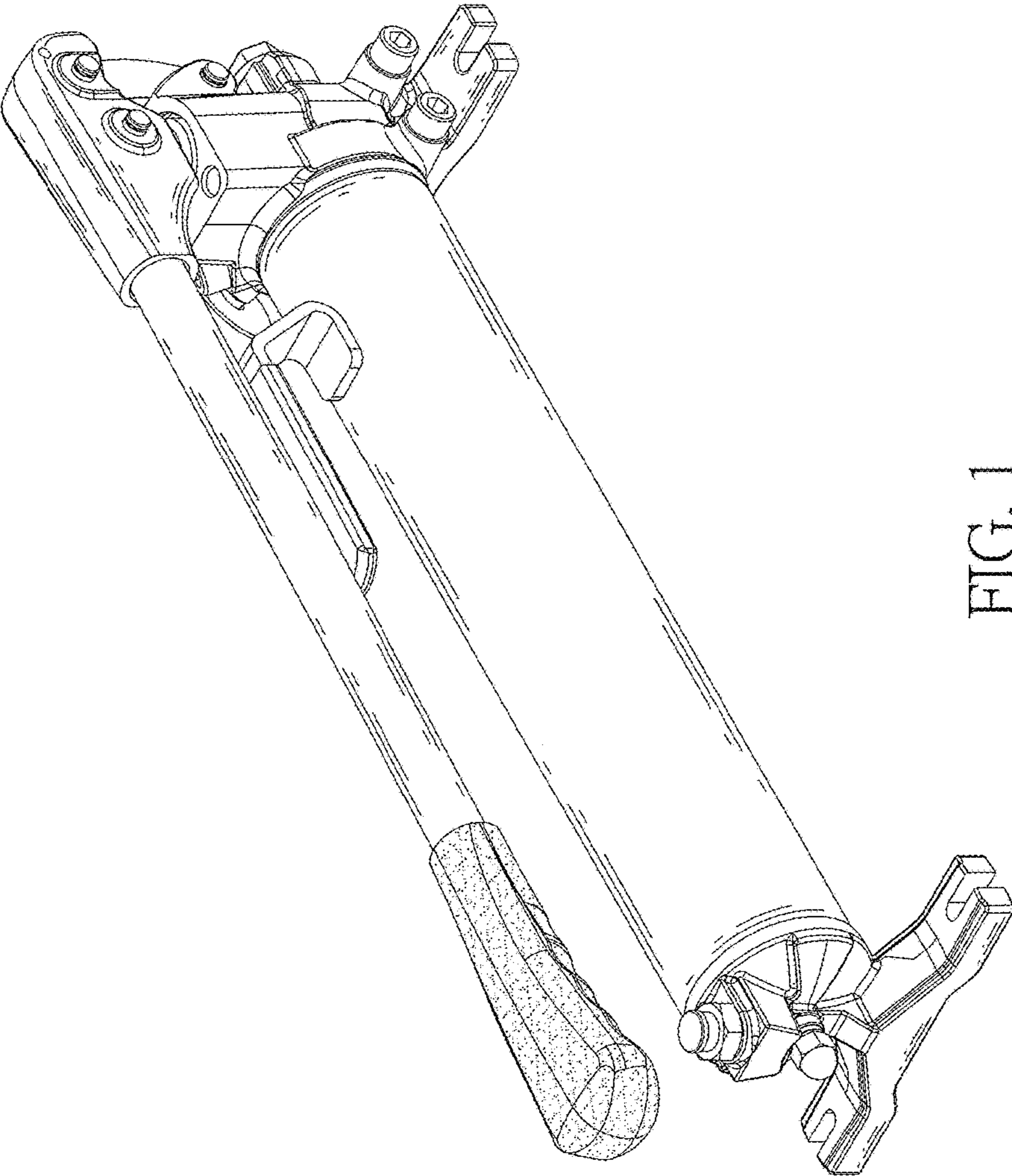


FIG. 1

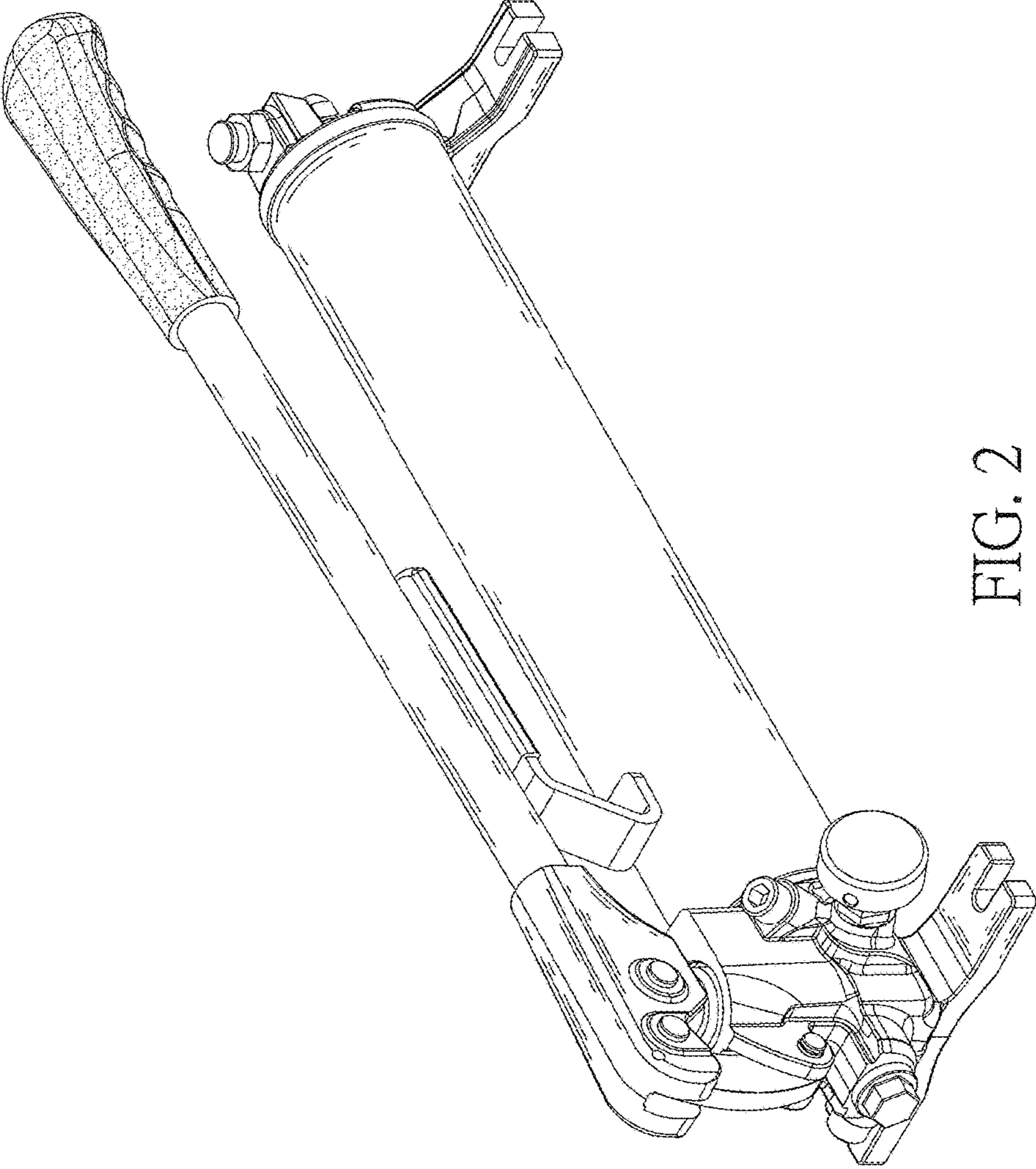


FIG. 2

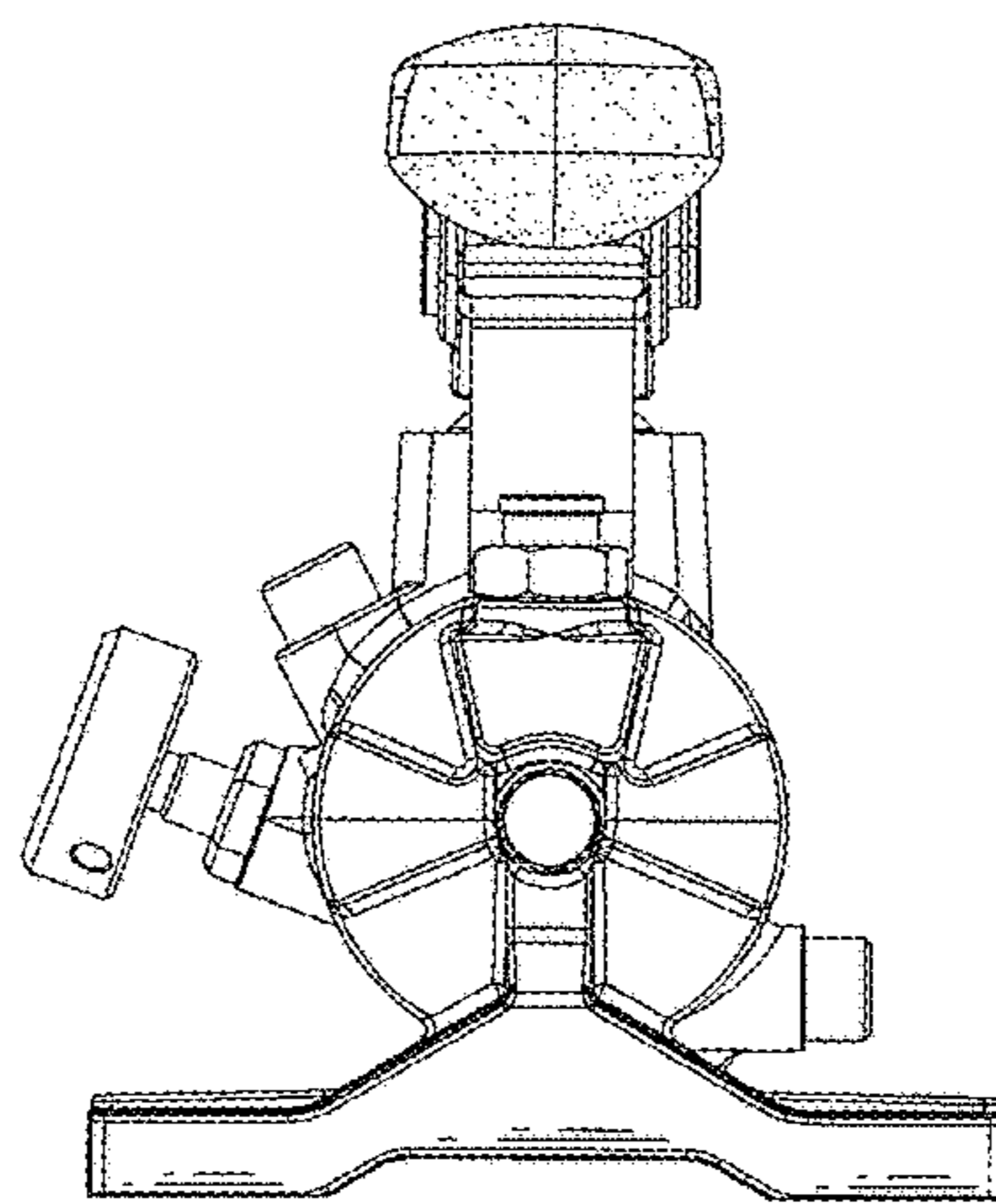


FIG. 3

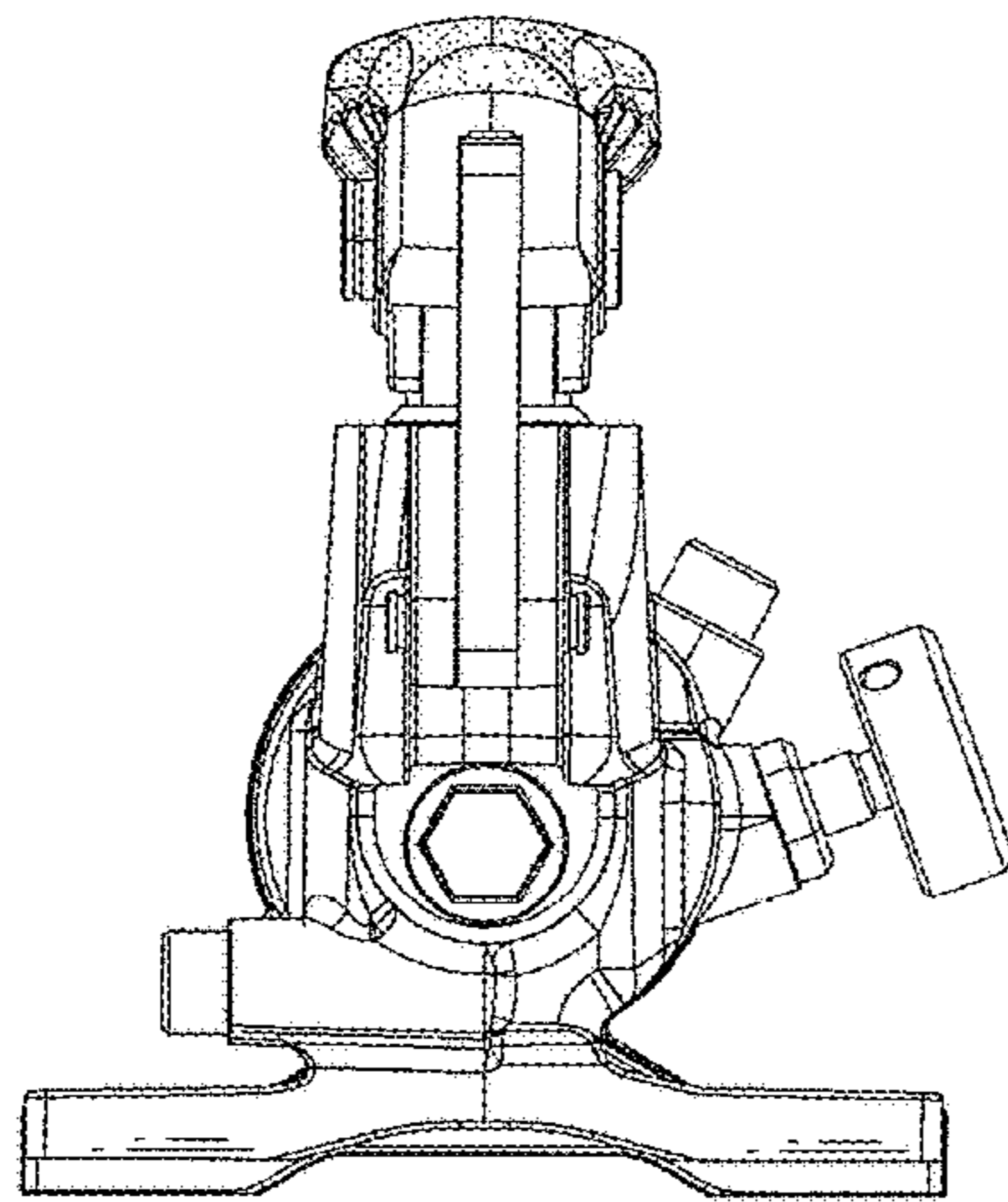


FIG. 4

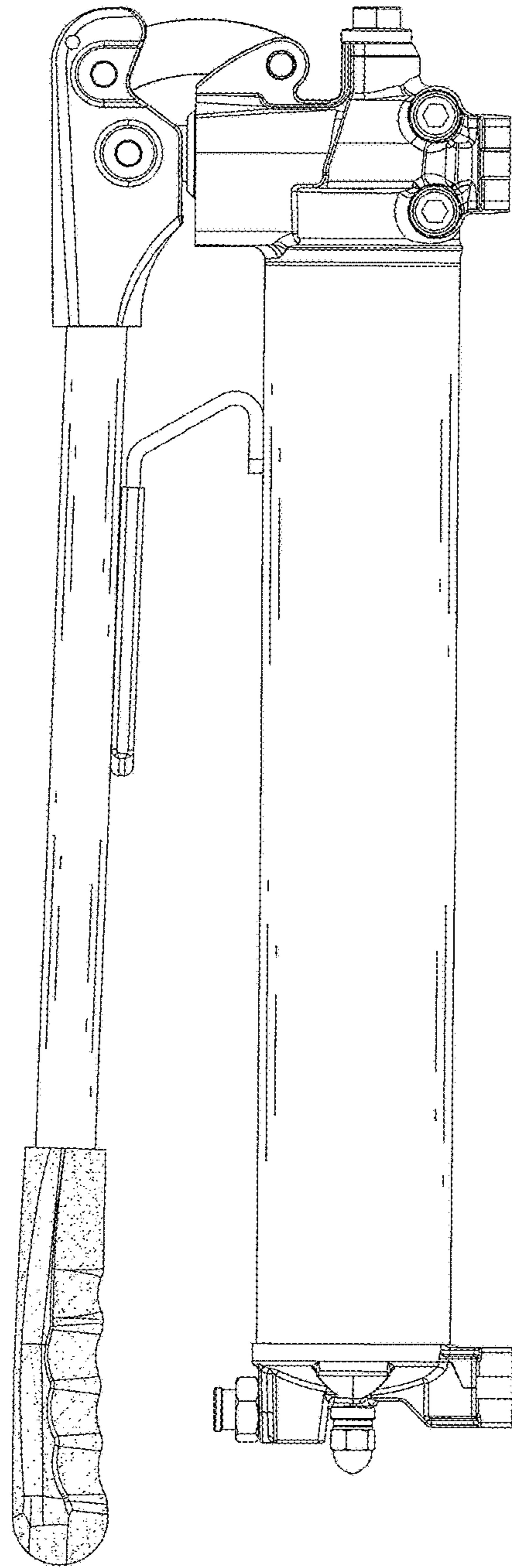


FIG. 5

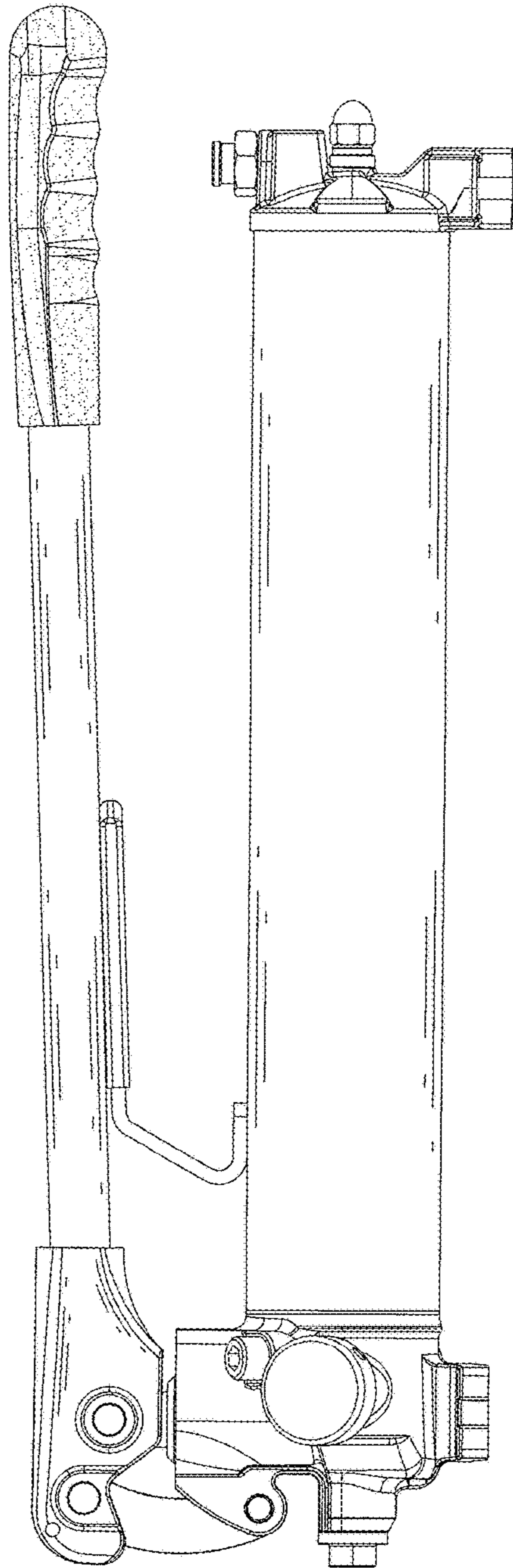


FIG. 6

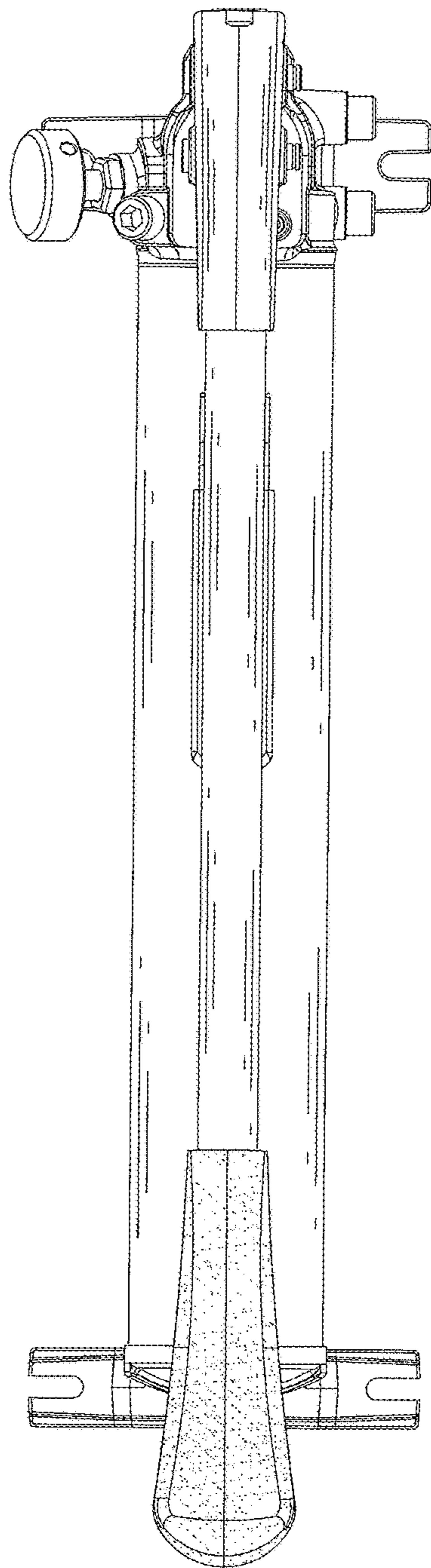


FIG. 7

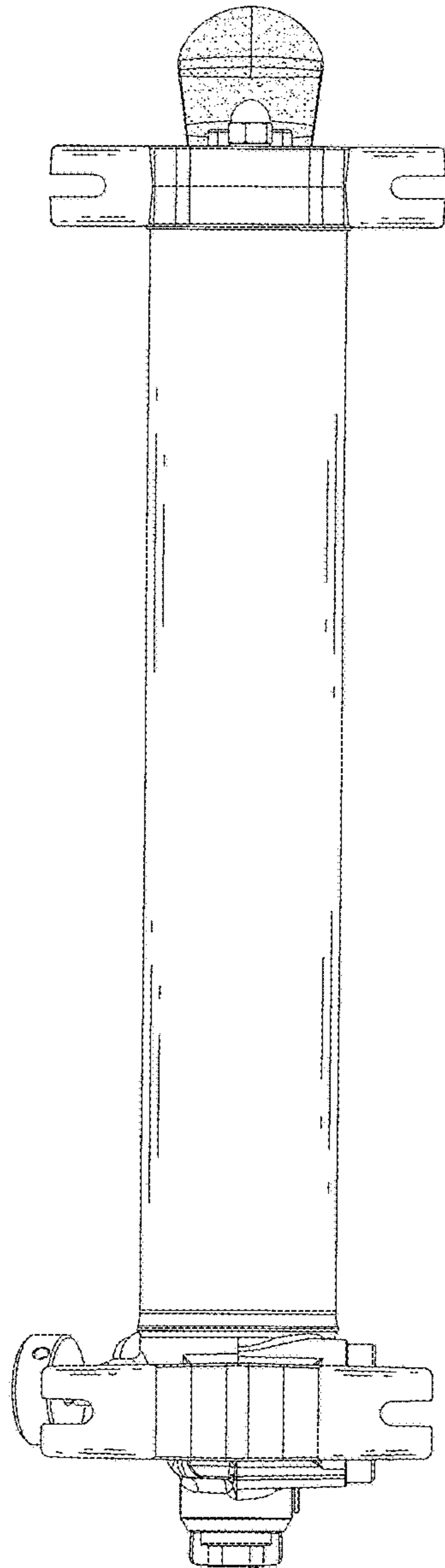


FIG. 8