



US00D803267S

(12) **United States Design Patent**  
**Baiz et al.**

(10) **Patent No.:** **US D803,267 S**

(45) **Date of Patent:** **\*\* Nov. 21, 2017**

(54) **SOLENOID COVER**

(71) Applicants: **Enrique J. Baiz**, Miramar, FL (US);  
**Oswaldo Izquierdo**, Homestead, FL (US)

(72) Inventors: **Enrique J. Baiz**, Miramar, FL (US);  
**Oswaldo Izquierdo**, Homestead, FL (US)

(\*\*) Term: **15 Years**

(21) Appl. No.: **29/560,703**

(22) Filed: **Apr. 8, 2016**

(51) **LOC (10) Cl.** ..... **15-01**

(52) **U.S. Cl.**

USPC ..... **D15/5**

(58) **Field of Classification Search**

USPC ..... D8/397, 394, 382, 349, 387, 388, 391,  
D8/393, 399; D15/5; D12/202, 213,  
D12/223, 400, 207, 208; D9/434, 435,  
D9/444

CPC ..... A61B 17/0401; E04D 13/1476; E04G  
25/065; F16B 41/002; F16B 23/0061;  
F16B 37/145; F16B 35/04; F16B 35/06;  
F16B 41/00; F16B 41/005; F16B 37/00;  
F16B 37/14; F16B 37/02; F16B 37/068;  
F16B 39/12; F16B 33/02; B60B 7/0013;  
B60B 23/06; B60B 23/08; Y10S 411/91;  
Y10S 411/914; Y10S 411/915; Y10T  
70/5867; F02M 25/0836; F16K 27/062;  
F16K 27/12

See application file for complete search history.

(56) **References Cited**

**U.S. PATENT DOCUMENTS**

4,004,483 A \* 1/1977 Hallock ..... F16B 17/002  
408/13  
4,293,835 A \* 10/1981 Davis ..... H01H 51/065  
335/126

D283,210 S \* 4/1986 Preisler ..... D12/126  
5,535,725 A \* 7/1996 Baker ..... F02M 25/0836  
123/520  
5,548,164 A \* 8/1996 Hillard ..... B60R 25/045  
180/287  
D445,734 S \* 7/2001 Sheu ..... D12/607  
D460,398 S \* 7/2002 Berry ..... D12/213  
6,491,487 B1 \* 12/2002 Wojciechowski .... B23P 19/062  
29/432.2  
D469,345 S \* 1/2003 Berry ..... D8/382  
7,311,621 B2 \* 12/2007 Sullivan ..... F42B 6/08  
473/583  
D581,777 S \* 12/2008 Huang ..... D8/397  
8,070,404 B1 \* 12/2011 Schluter ..... F16B 39/282  
411/368  
D720,208 S \* 12/2014 Jordan ..... D8/397  
D778,187 S \* 2/2017 Kibblewhite ..... D10/94  
D785,538 S \* 5/2017 Jordan ..... D12/213

(Continued)

*Primary Examiner* — T. Chase Nelson

*Assistant Examiner* — Ania Aman

(74) *Attorney, Agent, or Firm* — QuickPatents, LLC;  
Kevin Prince

(57)

**CLAIM**

We claim the ornamental design for a solenoid cover, as shown and described.

**DESCRIPTION**

FIG. 1 is a top perspective view of a solenoid cover, showing our new design;

FIG. 2 is an enlarged top perspective view thereof;

FIG. 3 is a bottom perspective view of FIG. 2;

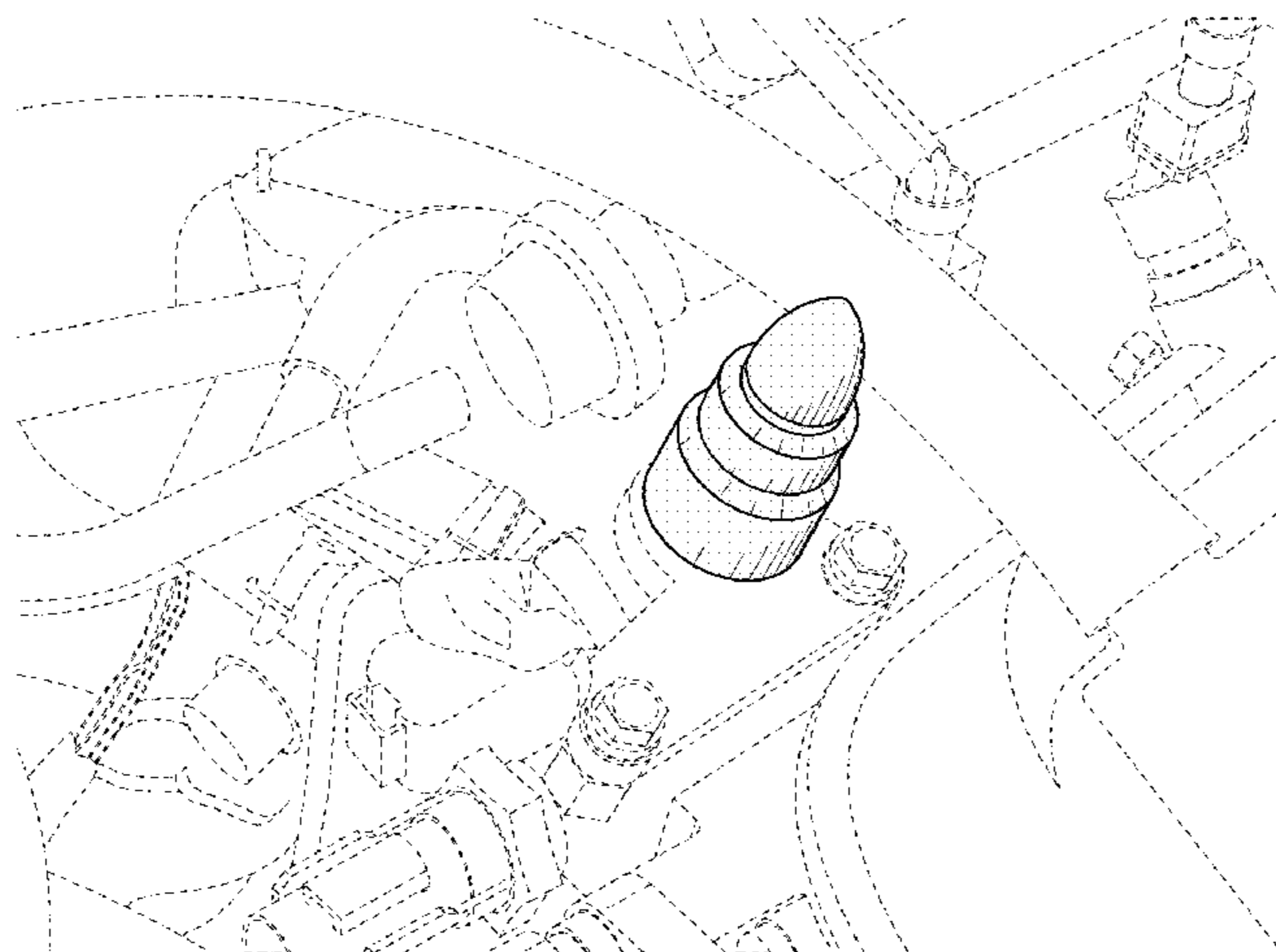
FIG. 4 is a front elevational view of FIG. 2, the rear elevational view being a mirror image thereof;

FIG. 5 is a top plan view of FIG. 2; and,

FIG. 6 is a bottom plan view of FIG. 2.

The broken lines showing an engine in FIG. 1 depict environmental matter and form no part of the claimed design.

**1 Claim, 3 Drawing Sheets**



(56)

**References Cited**

U.S. PATENT DOCUMENTS

2007/0167950 A1\* 7/2007 Tauro ..... A61B 17/0401  
606/326  
2008/0149871 A1\* 6/2008 Deng ..... F16K 11/0836  
251/142  
2008/0166202 A1\* 7/2008 Dunlap ..... F16B 37/00  
411/353  
2008/0286070 A1\* 11/2008 Chiou ..... F16B 37/14  
411/372.5  
2009/0018581 A1\* 1/2009 Anderson ..... A61B 17/0401  
606/232  
2009/0065311 A1\* 3/2009 Kim ..... B60T 13/746  
188/72.7  
2010/0211120 A1\* 8/2010 Bonutti ..... A61B 17/0401  
606/86 R  
2010/0292731 A1\* 11/2010 Gittings ..... A61B 17/0401  
606/232  
2014/0083397 A1\* 3/2014 Huettner ..... F02M 63/0015  
123/527  
2016/0298777 A1\* 10/2016 Huseyin ..... F02M 37/0029  
2016/0298785 A1\* 10/2016 Kim ..... F02M 25/0836

\* cited by examiner

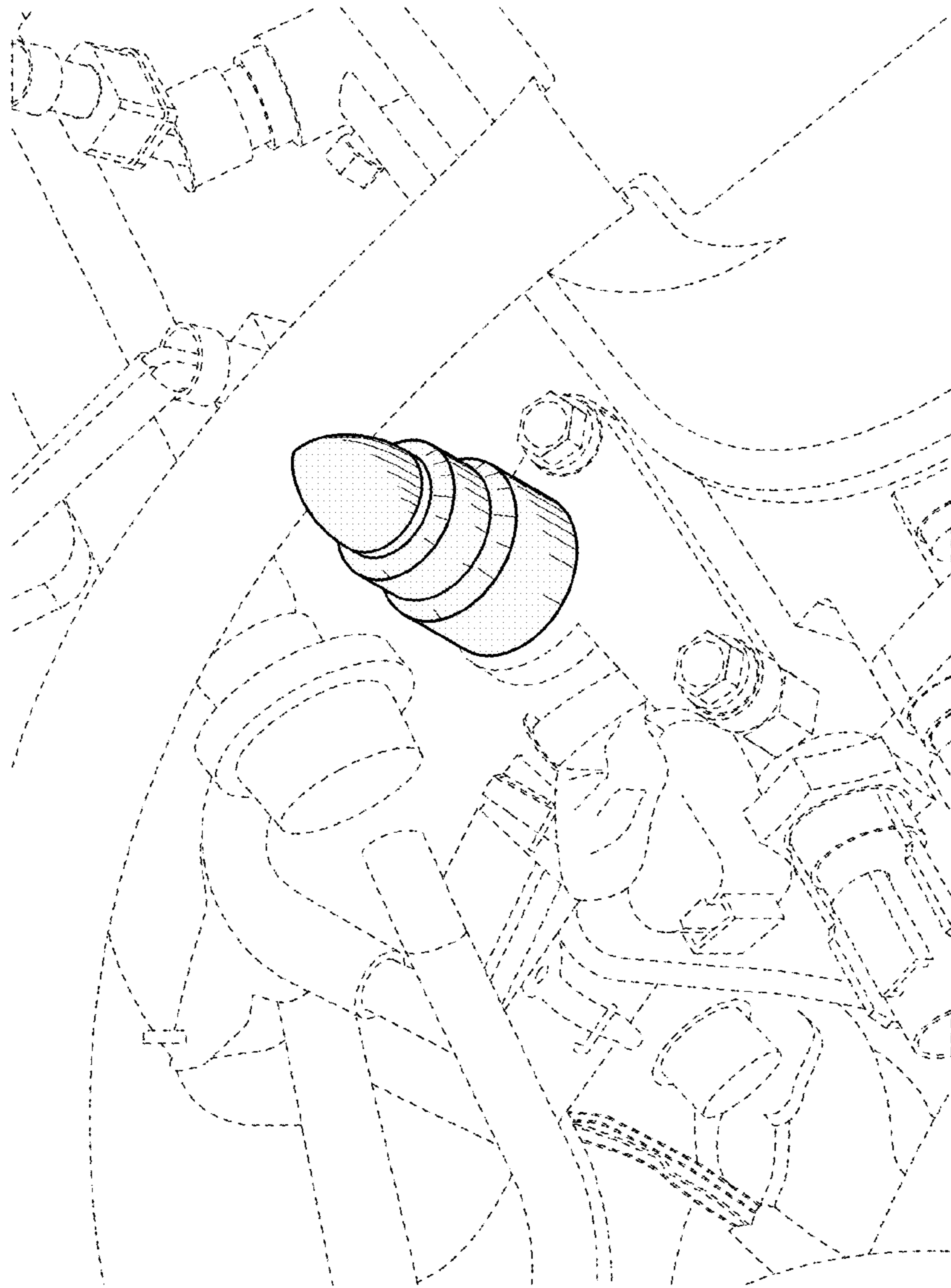


FIG. 1

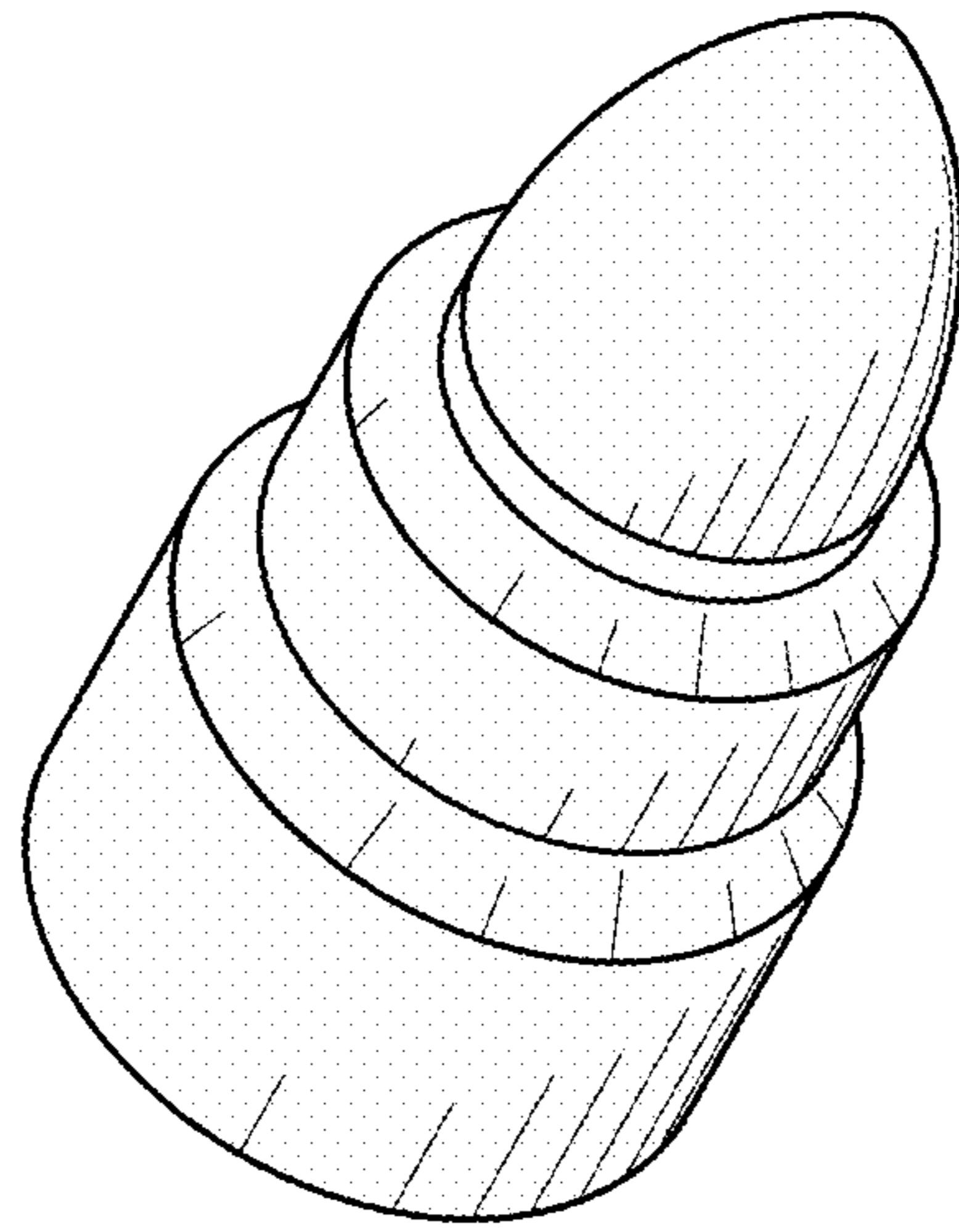


FIG. 2

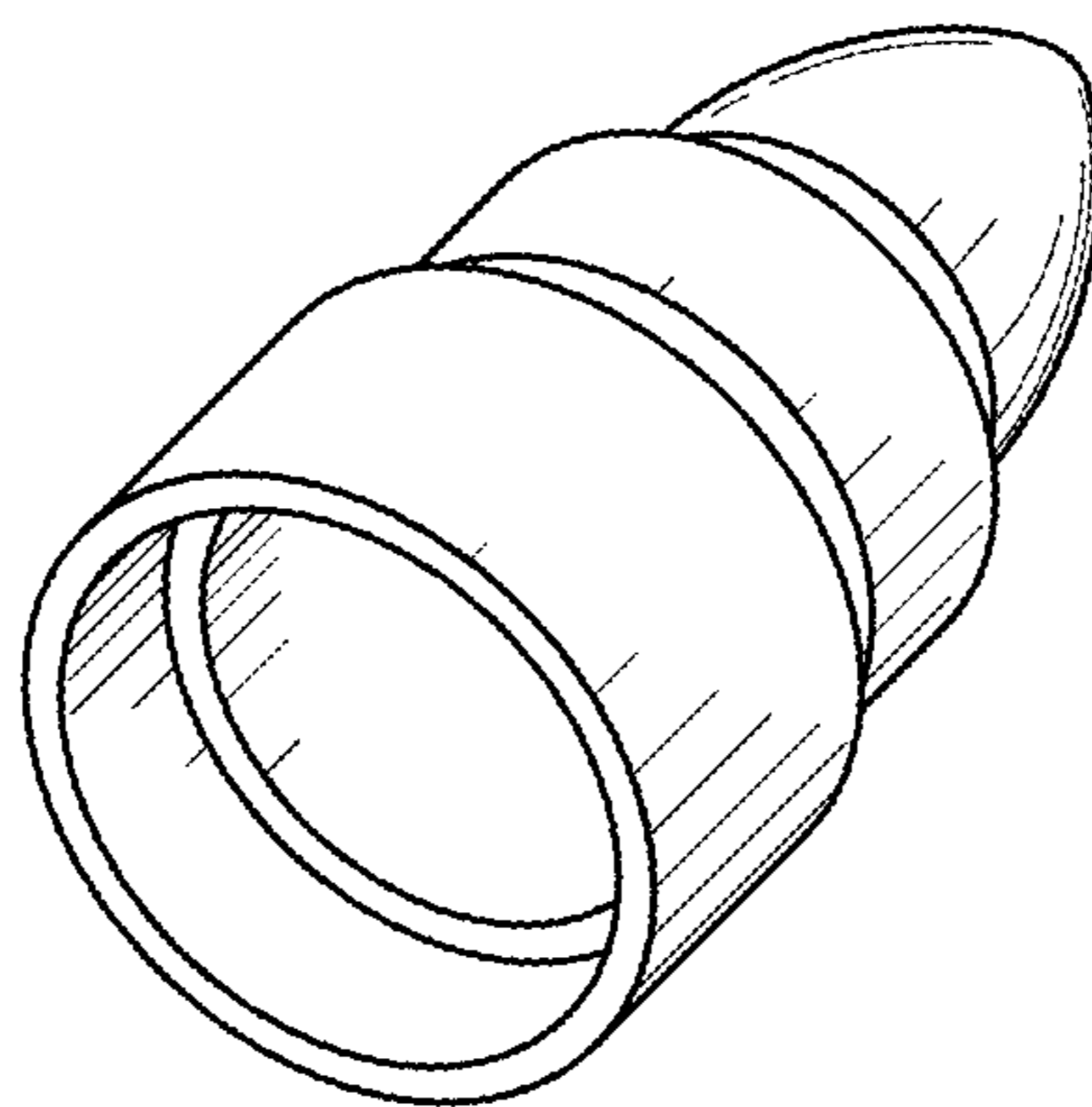


FIG. 3

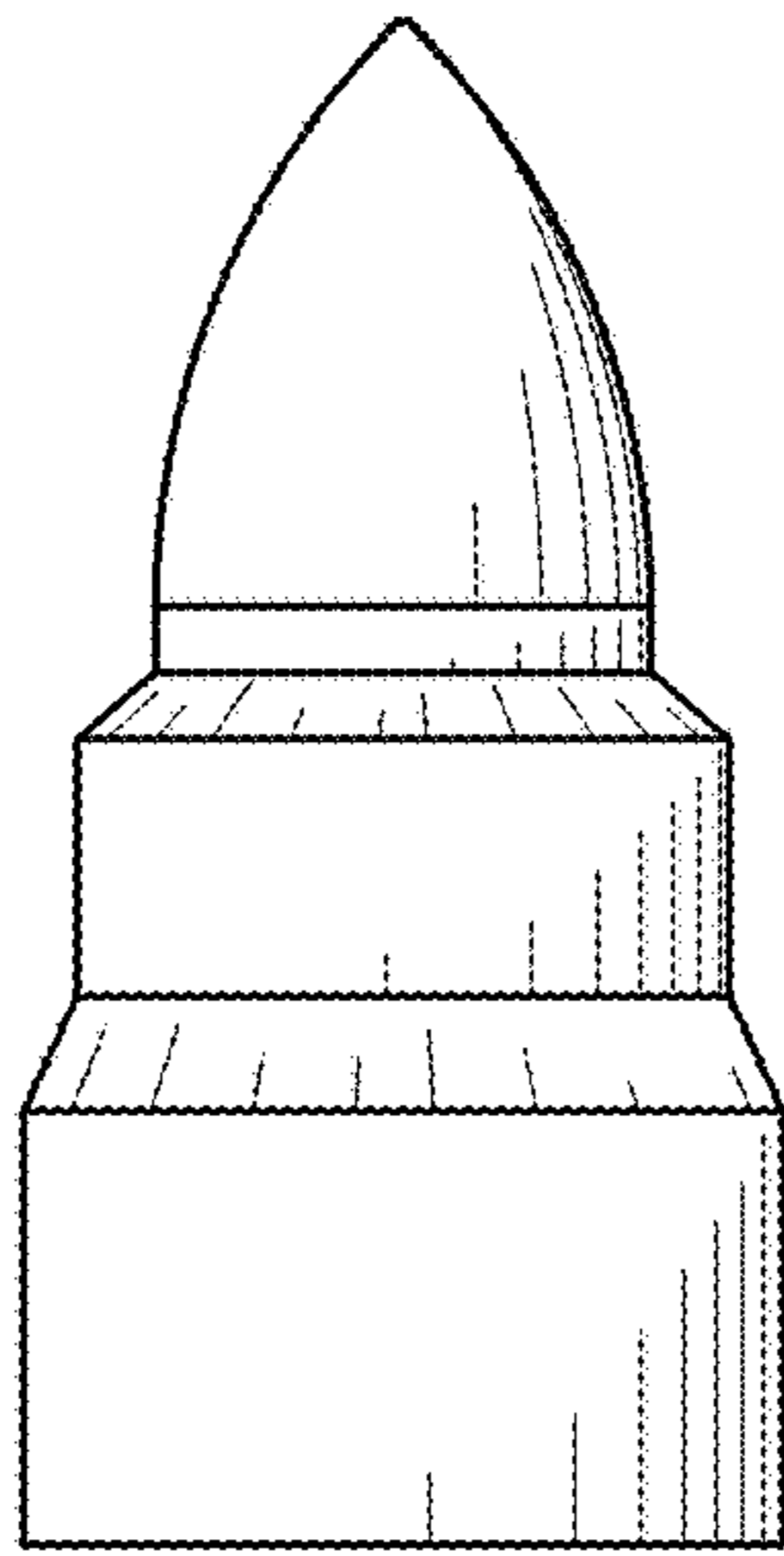


FIG. 4

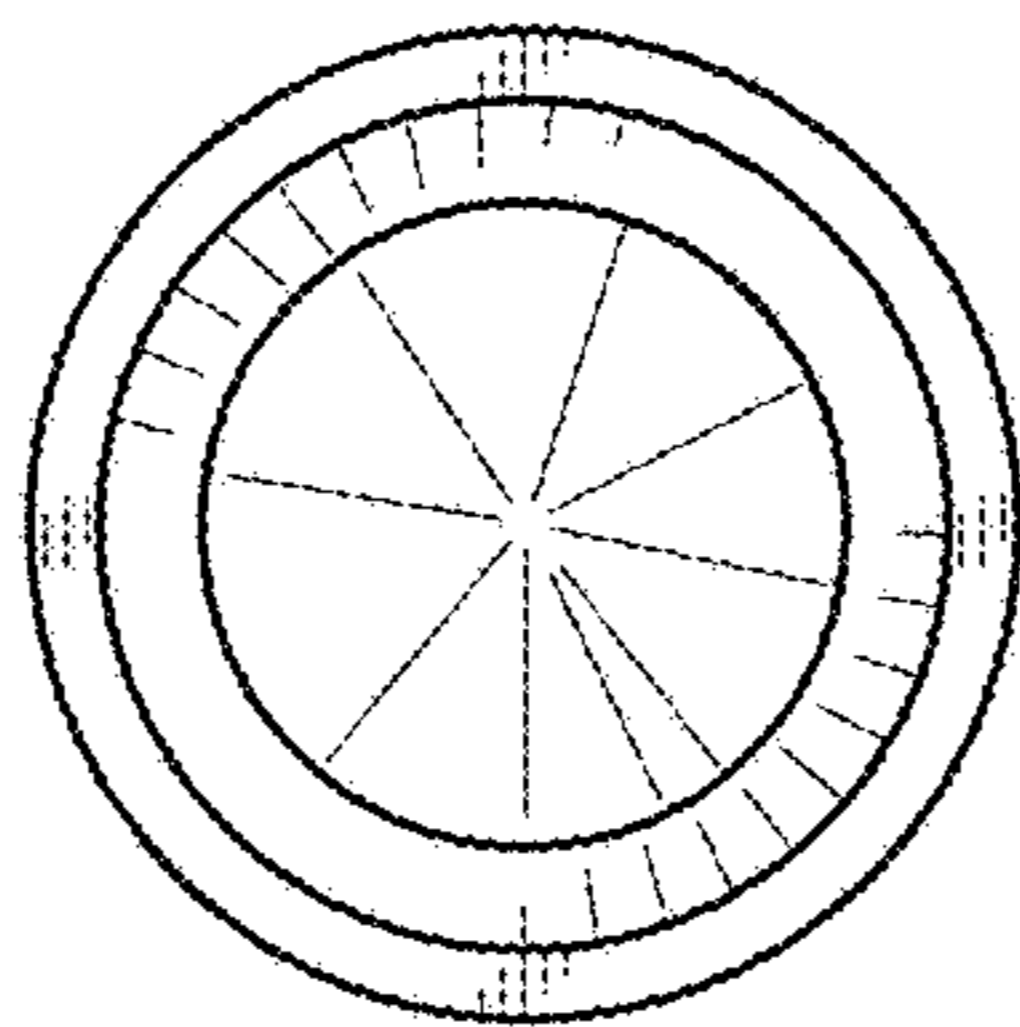


FIG. 5

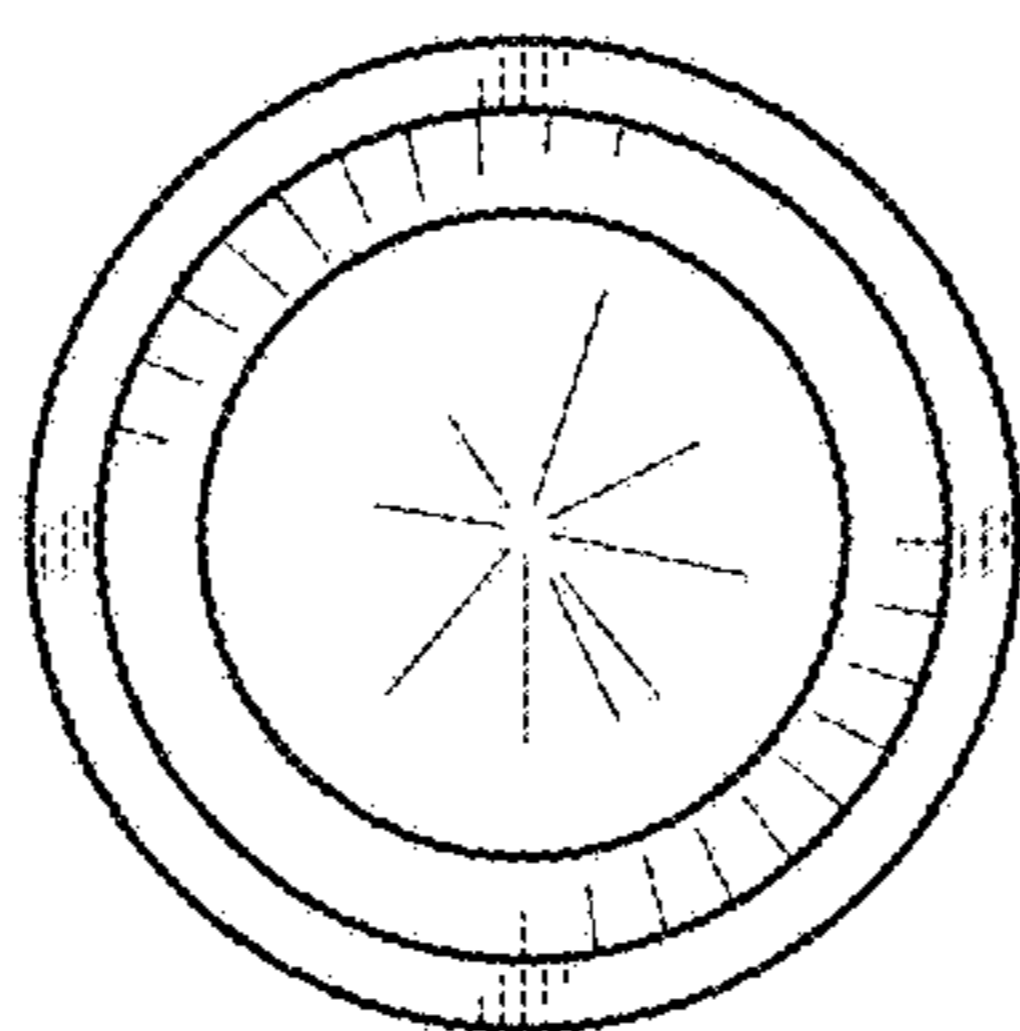


FIG. 6