



US00D803266S

(12) **United States Design Patent**
Baiz et al.

(10) **Patent No.:** **US D803,266 S**

(45) **Date of Patent:** **** Nov. 21, 2017**

(54) **SOLENOID COVER**

(71) Applicants: **Enrique J. Baiz**, Miramar, FL (US);
Oswaldo Izquierdo, Homestead, FL (US)

(72) Inventors: **Enrique J. Baiz**, Miramar, FL (US);
Oswaldo Izquierdo, Homestead, FL (US)

(**) Term: **15 Years**

(21) Appl. No.: **29/560,699**

(22) Filed: **Apr. 8, 2016**

(51) **LOC (10) Cl.** **15-01**

(52) **U.S. Cl.**
USPC **D15/5**

(58) **Field of Classification Search**
USPC D8/397, 394, 382, 349, 387, 388, 391,
D8/393, 399; D15/5; D12/202, 213,
D12/223, 400, 207, 208; D9/434, 435,
D9/444
CPC A61B 17/0401; E04D 13/1476; E04G
25/065; F16B 41/002; F16B 23/0061;
F16B 37/145; F16B 35/04; F16B 35/06;
F16B 41/00; F16B 41/005; F16B 37/00;
F16B 37/14; F16B 37/02; F16B 37/068;
F16B 39/12; F16B 33/02; B60B 7/0013;
B60B 23/06; B60B 23/08; Y10S 411/91;
Y10S 411/914; Y10S 411/915; Y10T
70/5867; F02M 25/0836; F16K 27/062;
F16K 27/12

See application file for complete search history.

(56) **References Cited**

U.S. PATENT DOCUMENTS

4,004,483 A * 1/1977 Hallock F16B 17/002
408/13
4,293,835 A * 10/1981 Davis H01H 51/065
335/126

D283,210 S * 4/1986 Preisler D12/126
5,535,725 A * 7/1996 Baker F02M 25/0836
123/520
5,548,164 A * 8/1996 Hillard B60R 25/045
180/287
D445,734 S * 7/2001 Sheu D12/607
D460,398 S * 7/2002 Berry D12/213
6,491,487 B1 * 12/2002 Wojciechowski B23P 19/062
29/432.2
D469,345 S * 1/2003 Berry D8/382
7,311,621 B2 * 12/2007 Sullivan F42B 6/08
473/583
D581,777 S * 12/2008 Huang D8/397
8,070,404 B1 * 12/2011 Schluter F16B 39/282
411/368
D720,208 S * 12/2014 Jordan D8/397
D778,187 S * 2/2017 Kibblewhite D10/94
D785,538 S * 5/2017 Jordan D12/213

(Continued)

Primary Examiner — T. Chase Nelson

Assistant Examiner — Ania Aman

(74) *Attorney, Agent, or Firm* — Quickpatents, LLC;
Kevin Prince

(57)

CLAIM

We claim the ornamental design for a solenoid cover, as shown and described.

DESCRIPTION

FIG. 1 is a top perspective view of a solenoid cover, showing our new design;

FIG. 2 is an enlarged top perspective view thereof;

FIG. 3 is a bottom perspective view of FIG. 2;

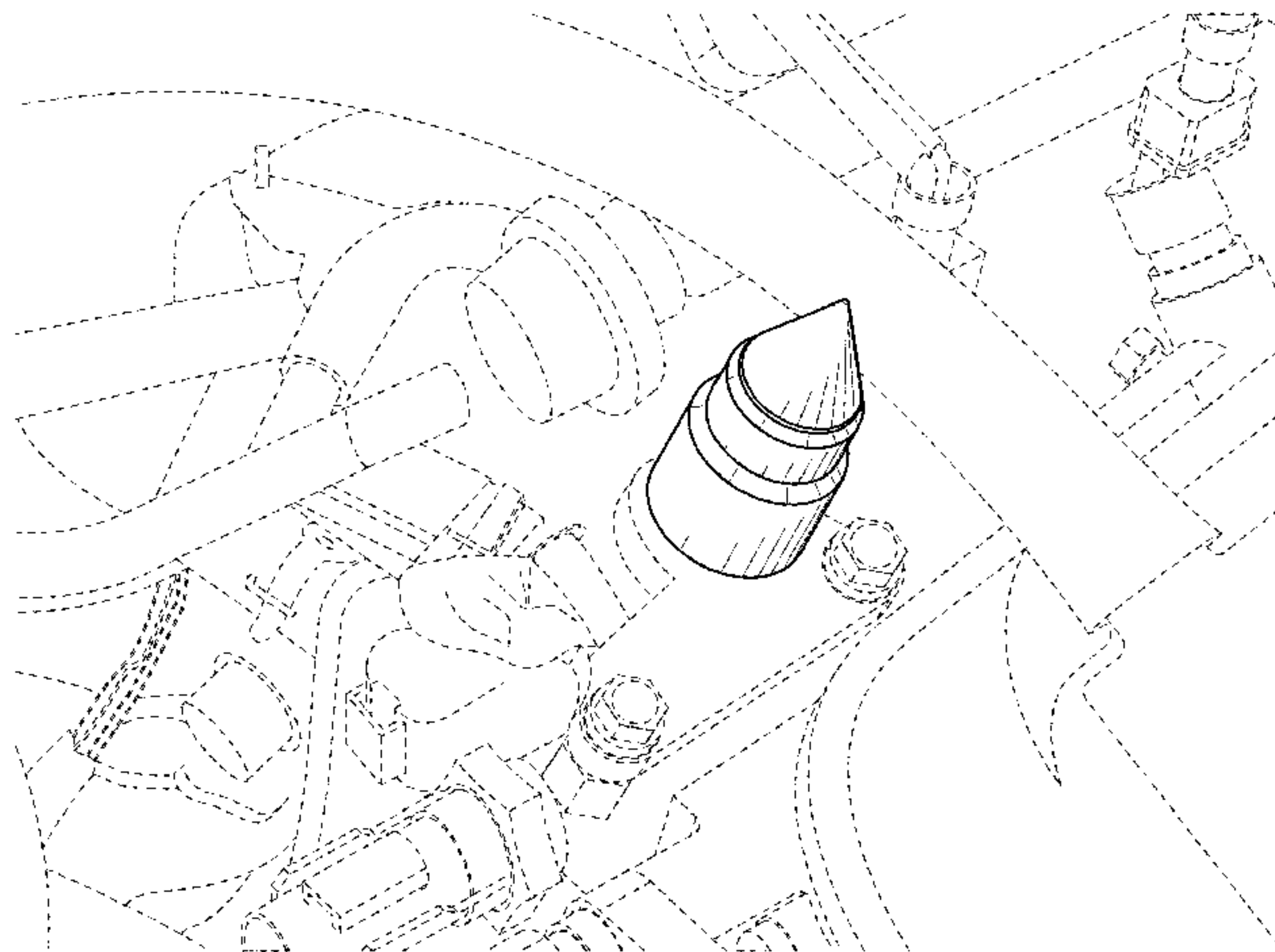
FIG. 4 is a front elevational view of FIG. 2, the rear elevational view being a mirror image thereof;

FIG. 5 is a top plan view of FIG. 2; and,

FIG. 6 is a bottom plan view of FIG. 2.

The broken lines showing an engine in FIG. 1 depict environmental matter and form no part of the claimed design.

1 Claim, 3 Drawing Sheets



(56)

References Cited

U.S. PATENT DOCUMENTS

2007/0167950 A1* 7/2007 Tauro A61B 17/0401
606/326
2008/0149871 A1* 6/2008 Deng F16K 11/0836
251/142
2008/0166202 A1* 7/2008 Dunlap F16B 37/00
411/353
2008/0286070 A1* 11/2008 Chiou F16B 37/14
411/372.5
2009/0018581 A1* 1/2009 Anderson A61B 17/0401
606/232
2009/0065311 A1* 3/2009 Kim B60T 13/746
188/72.7
2010/0211120 A1* 8/2010 Bonutti A61B 17/0401
606/86 R
2010/0292731 A1* 11/2010 Gittings A61B 17/0401
606/232
2014/0083397 A1* 3/2014 Huettner F02M 63/0015
123/527
2016/0298777 A1* 10/2016 Huseyin F02M 37/0029
2016/0298785 A1* 10/2016 Kim F02M 25/0836

* cited by examiner

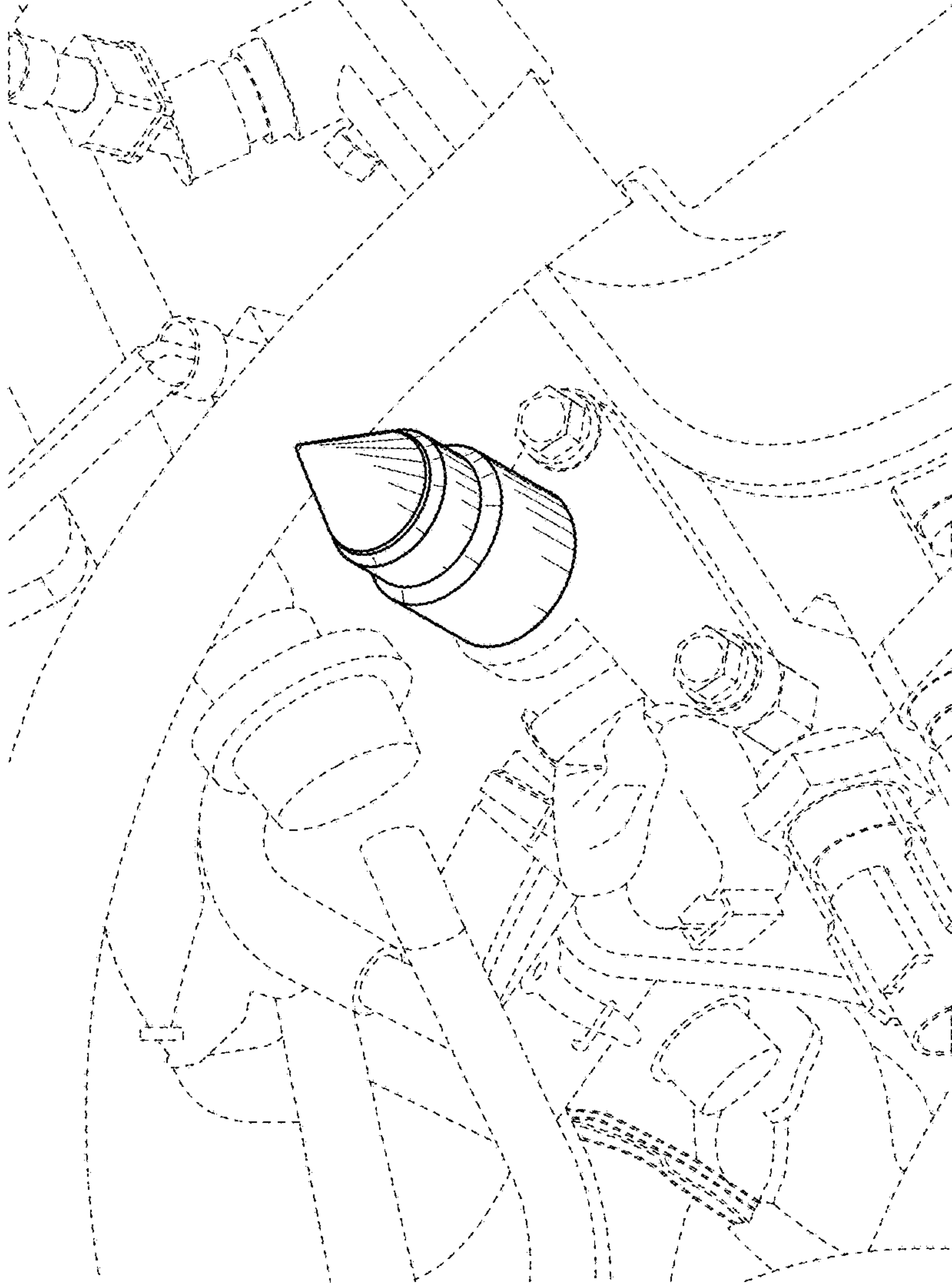


FIG. 1

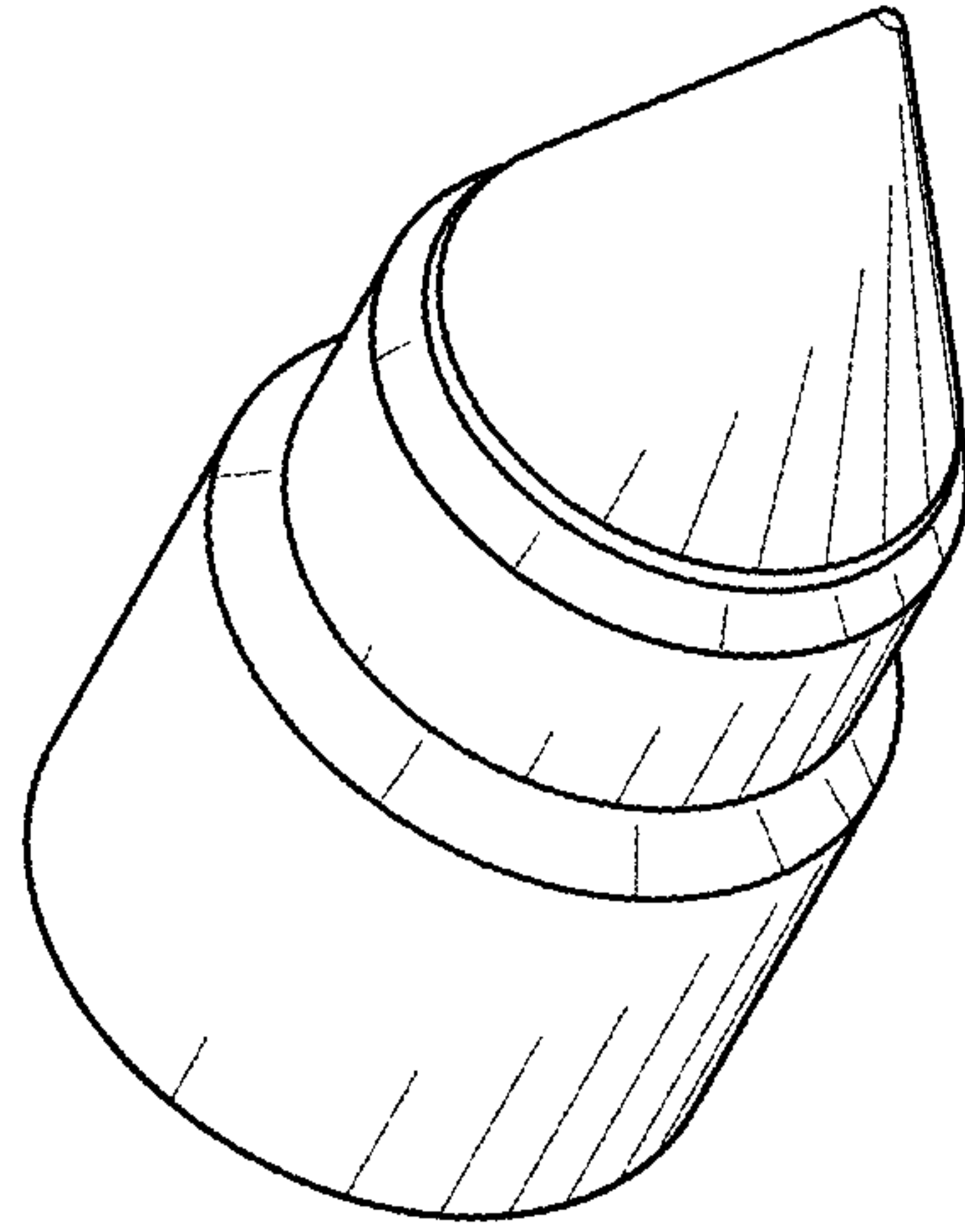


FIG. 2

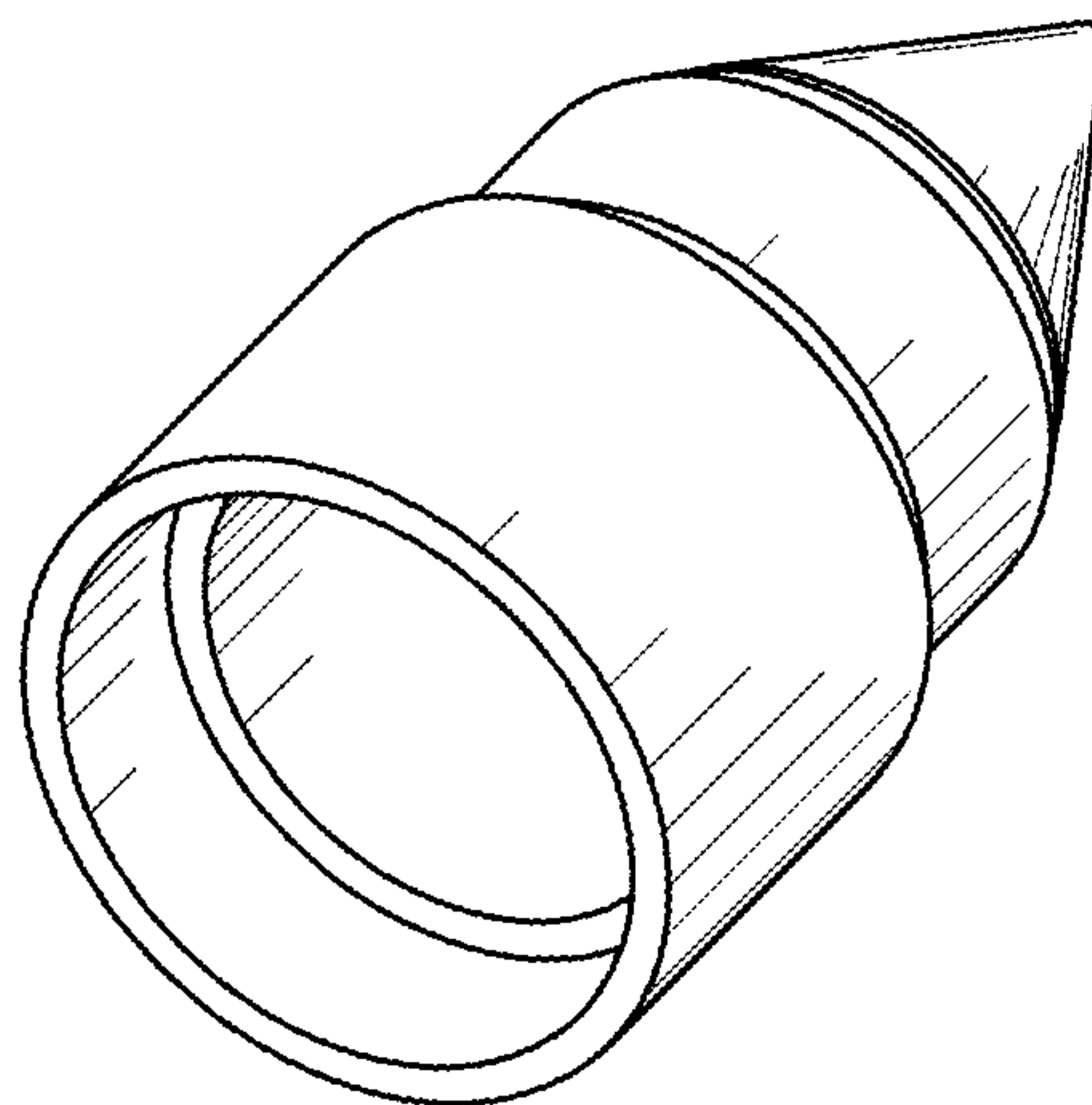


FIG. 3

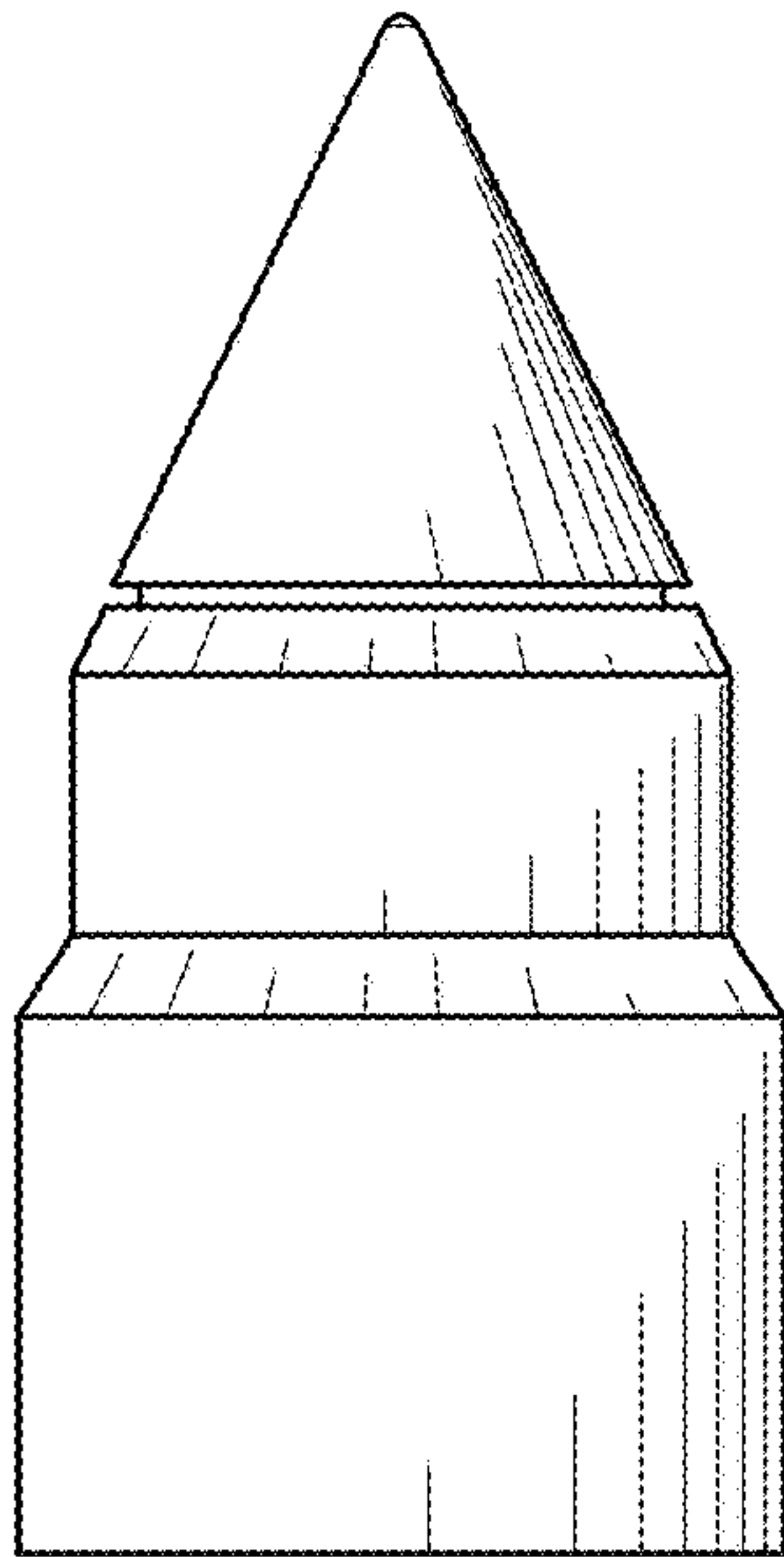


FIG. 4

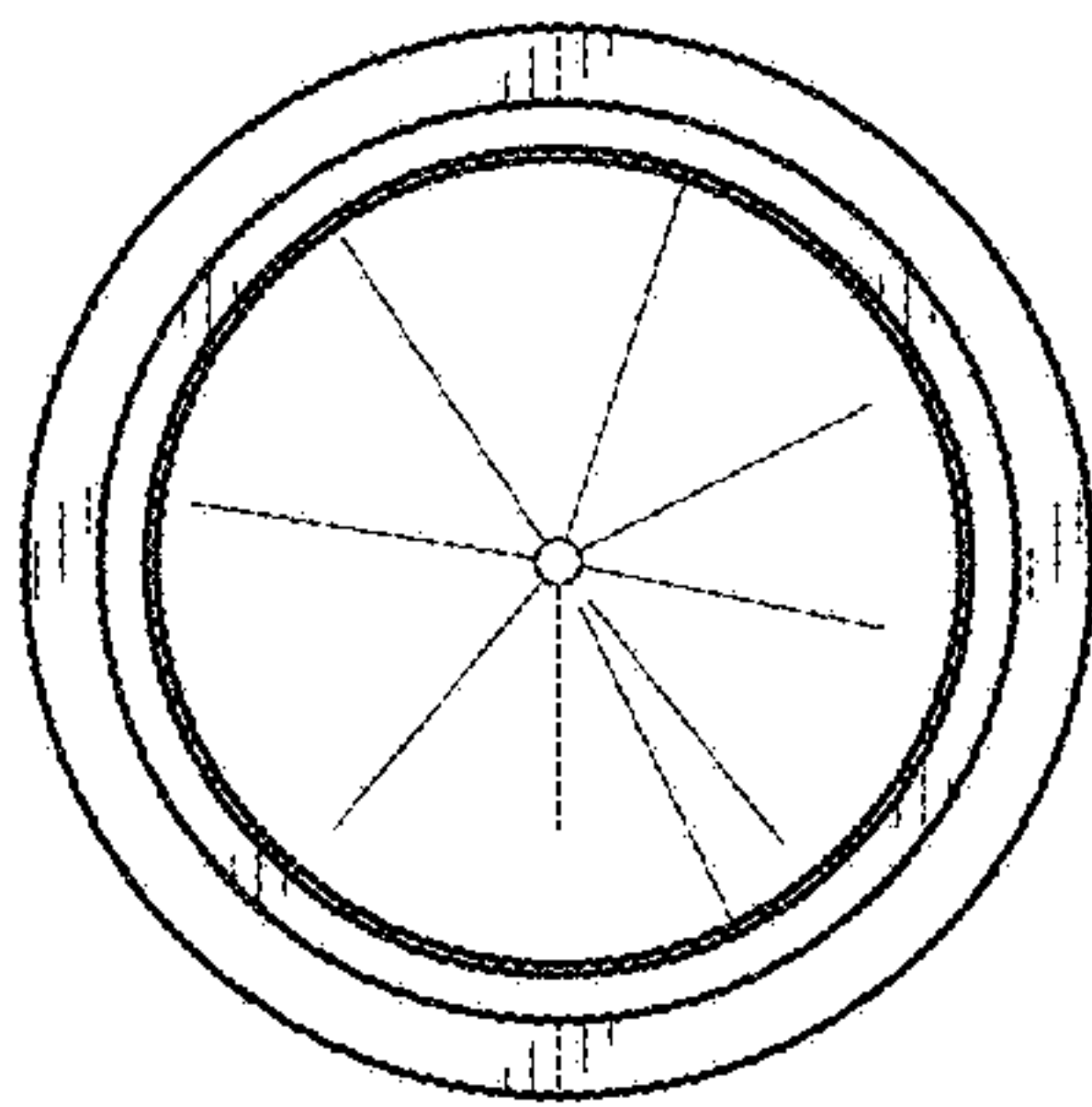


FIG. 5

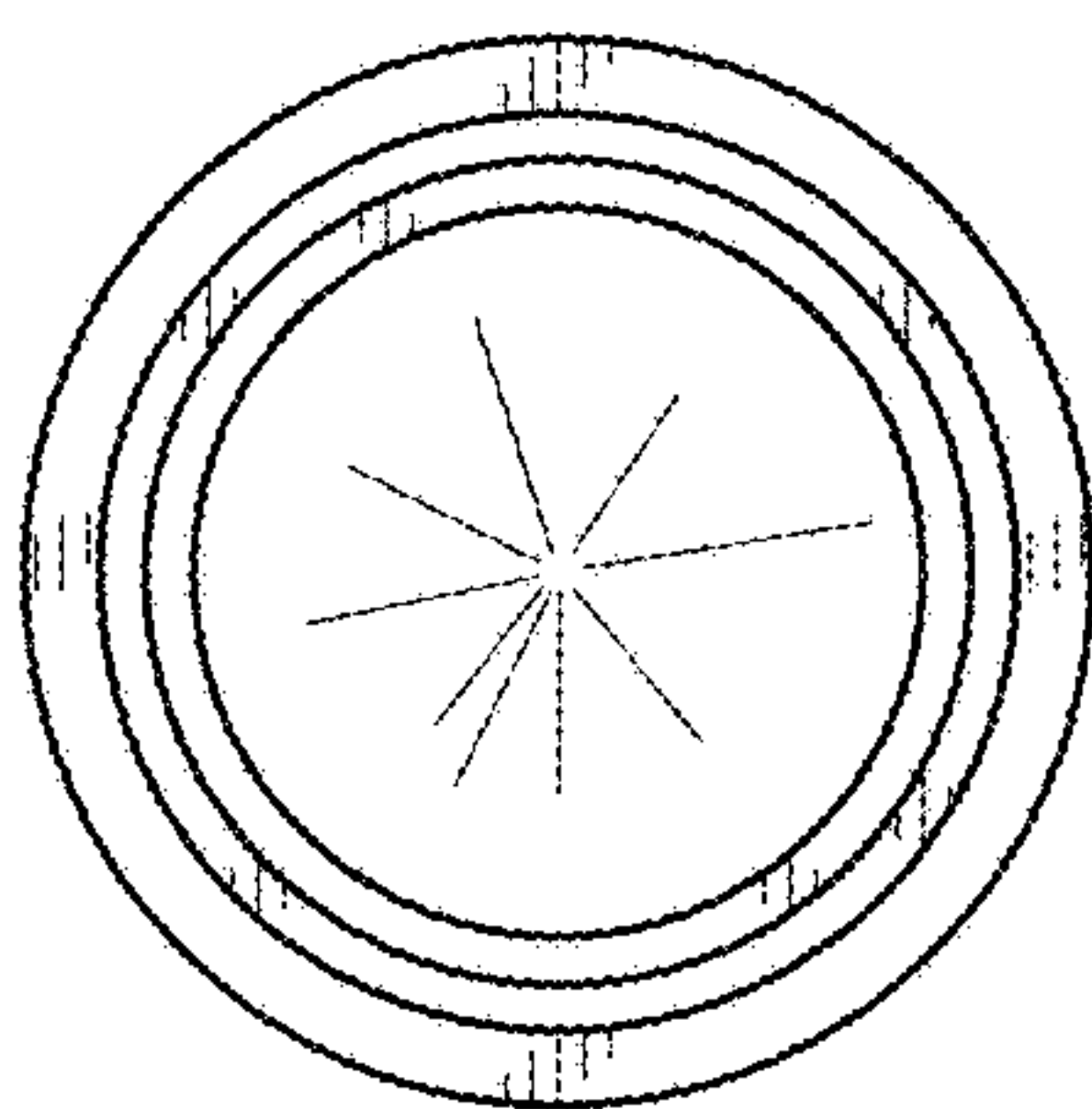


FIG. 6