



US00D803245S

(12) **United States Design Patent**
Hersh et al.

(10) **Patent No.:** **US D803,245 S**

(45) **Date of Patent:** **** Nov. 21, 2017**

(54) **DISPLAY SCREEN OR PORTION THEREOF WITH GRAPHICAL USER INTERFACE**

D763,869 S * 8/2016 Wang D14/485
D771,639 S * 11/2016 Dellinger D14/485
D773,480 S * 12/2016 Zhou D14/485
D780,772 S * 3/2017 Kim D14/485

(Continued)

(71) Applicant: **Smule, Inc.**, San Francisco, CA (US)

(72) Inventors: **Benjamin Hersh**, San Francisco, CA (US); **John Shimmin**, San Francisco, CA (US); **Jeannie Yang**, San Francisco, CA (US); **Perry R. Cook**, Jacksonville, OR (US)

(73) Assignee: **Smule, Inc.**, San Francisco, CA (US)

(**) Term: **15 Years**

(21) Appl. No.: **29/566,074**

(22) Filed: **May 26, 2016**

Related U.S. Application Data

(63) Continuation-in-part of application No. 14/879,075, filed on Oct. 8, 2015, now abandoned.

(51) **LOC (10) Cl.** **14-04**

(52) **U.S. Cl.**
USPC **D14/486**

(58) **Field of Classification Search**
USPC D14/485–495
CPC .. G06F 3/0481; G06F 3/04817; G06F 3/0482;
G06F 3/0488; G06F 3/04883
See application file for complete search history.

(56) **References Cited**

U.S. PATENT DOCUMENTS

D438,873 S * 3/2001 Wang D14/486
D446,790 S * 8/2001 Wang D14/486
D643,438 S * 8/2011 Gardner D14/486
D675,639 S * 2/2013 Anzures D14/487
D703,689 S * 4/2014 Kim D14/486
D726,221 S * 4/2015 Gomez D14/492
9,055,410 B2 * 6/2015 Deshpande H04W 4/08
9,172,867 B2 * 10/2015 Yoon H04N 5/335

OTHER PUBLICATIONS

iOS7 CSS Switches, by Jarques, posted Jun. 12, 2013, dribbble.com [online], [retrived Jun. 15, 2017}. Available from internet <URL:http://www.uidownload.com/free-psd/ios-7-styled-switches-5728>.*

(Continued)

Primary Examiner — Karen Kearney

Assistant Examiner — Andrew Nemeth

(74) *Attorney, Agent, or Firm* — Haynes and Boone, LLP

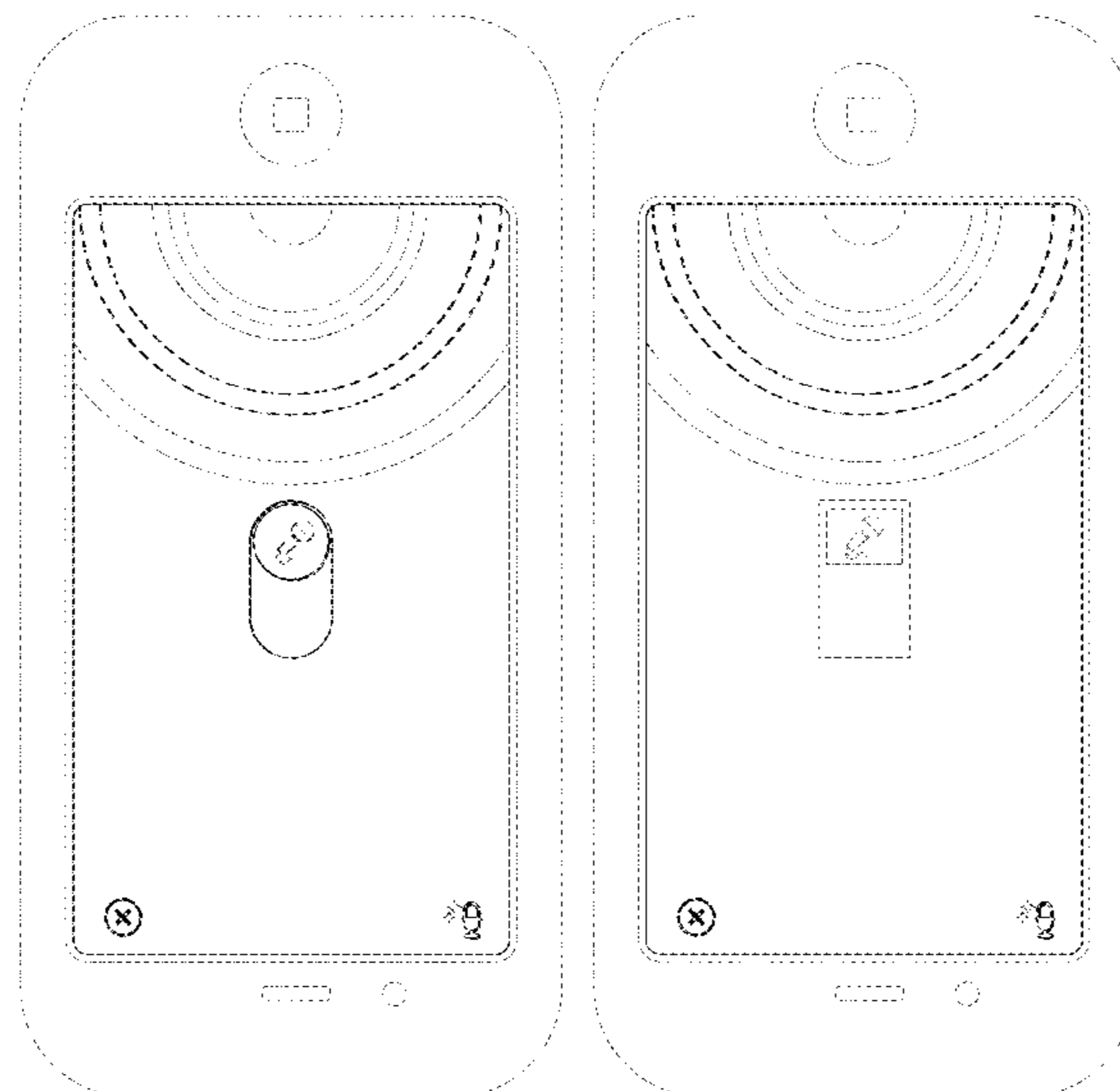
(57) **CLAIM**

The ornamental design for a display screen or portion thereof with graphical user interface, as shown and described.

DESCRIPTION

FIG. 1 is a front view of a first embodiment of a display screen or portion thereof with graphical user interface. FIG. 2 is a front view of a second embodiment of the display screen or portion thereof with graphical user interface shown in FIG. 1; and, FIG. 3 is a perspective view of FIG. 1, but shown with additional broken line subject matter. The broken line showing of an electronic device and display screen illustrate environmental structure and the article of manufacture, respectively. The broken line showing of the centralized microphone icons and all concentric semi-circles illustrate portions of the graphical user interface. The broken line showing of a person in FIG. 3 illustrates environment. None of the broken lines form part of the claimed design.

1 Claim, 3 Drawing Sheets



(56)

References Cited

U.S. PATENT DOCUMENTS

2010/0318366 A1* 12/2010 Sullivan H04M 1/72519
704/275
2015/0193196 A1* 7/2015 Lin G06F 3/165
715/716
2017/0123755 A1* 5/2017 Hersh G06F 3/165

OTHER PUBLICATIONS

Free UI Toggle Switches, updated Aug. 16, 2016, medialoot.com
[online], [retrived Jun. 21, 2017]. Available from internet
<URL:https://medialoot.com/item/free-ui-toggle-switches/>.*

Sing! Karaoke by Smule on Apple TV, by Smule, published Oct. 29,
2015, youtube.com [online], [retrived Jun. 7, 2017]. Available from
internet <URL:https://www.youtube.com/
watch?v=9VXGC3oGwxQ>.*

* cited by examiner

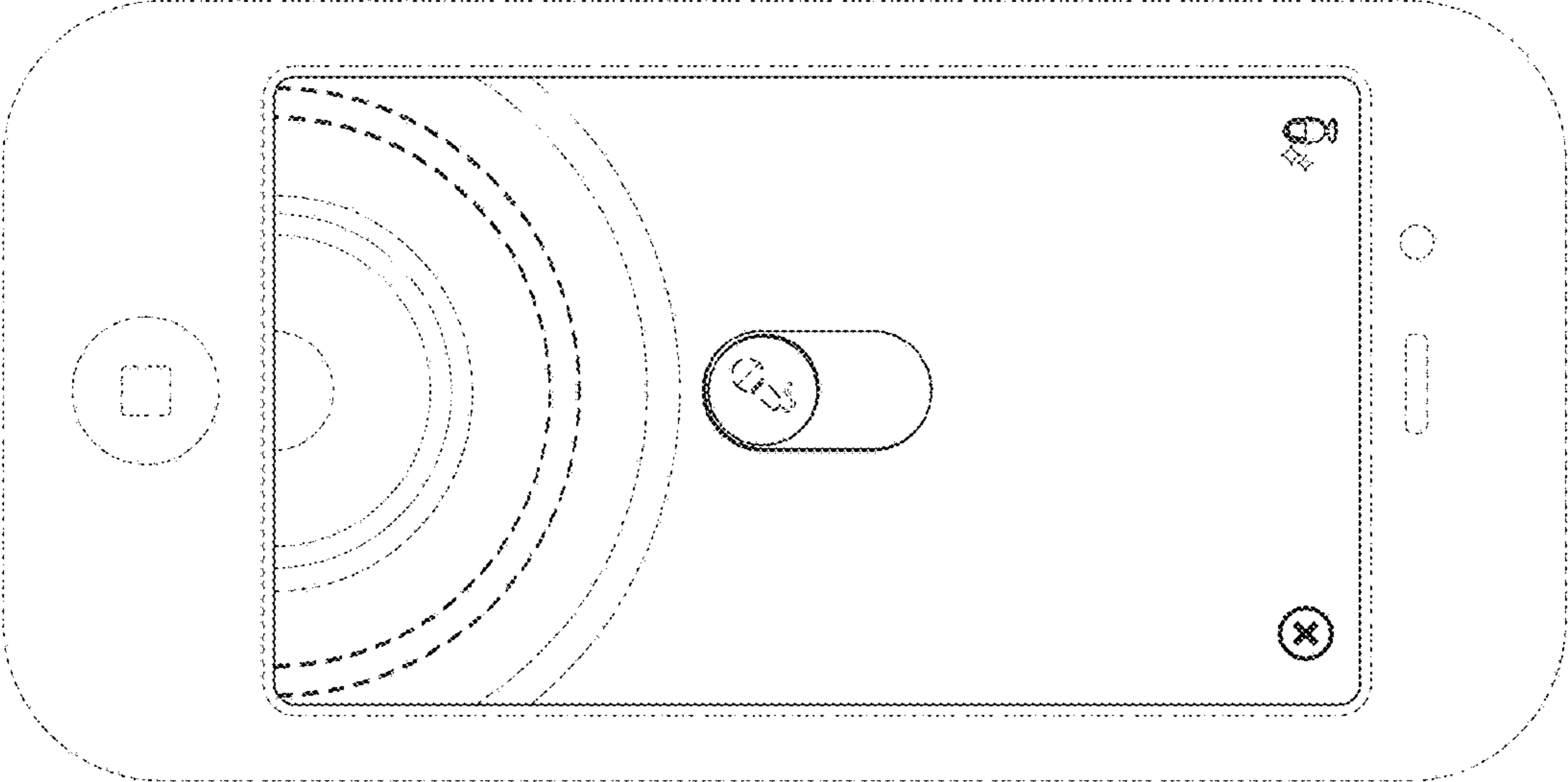


Fig. 1

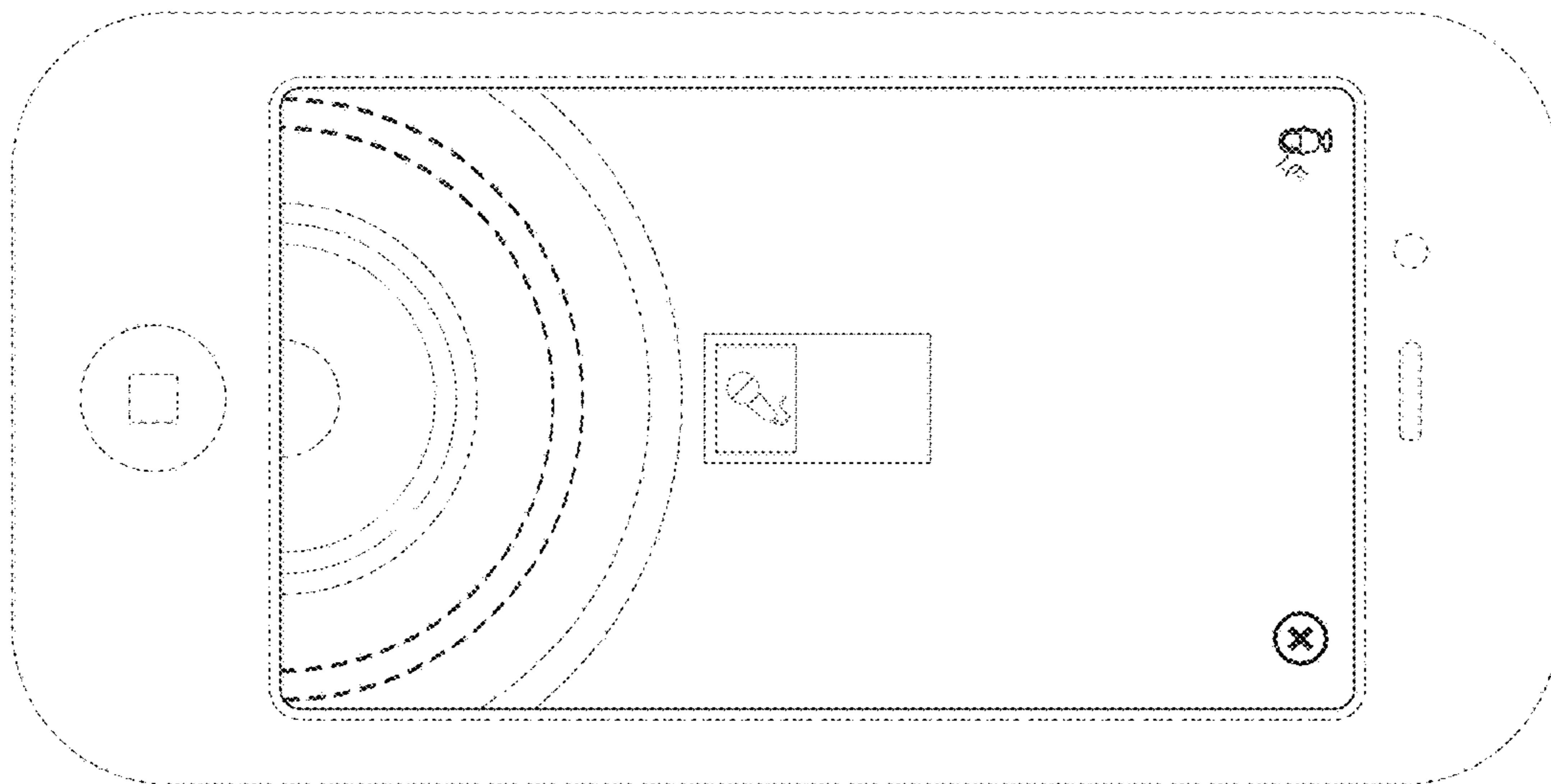


Fig. 2

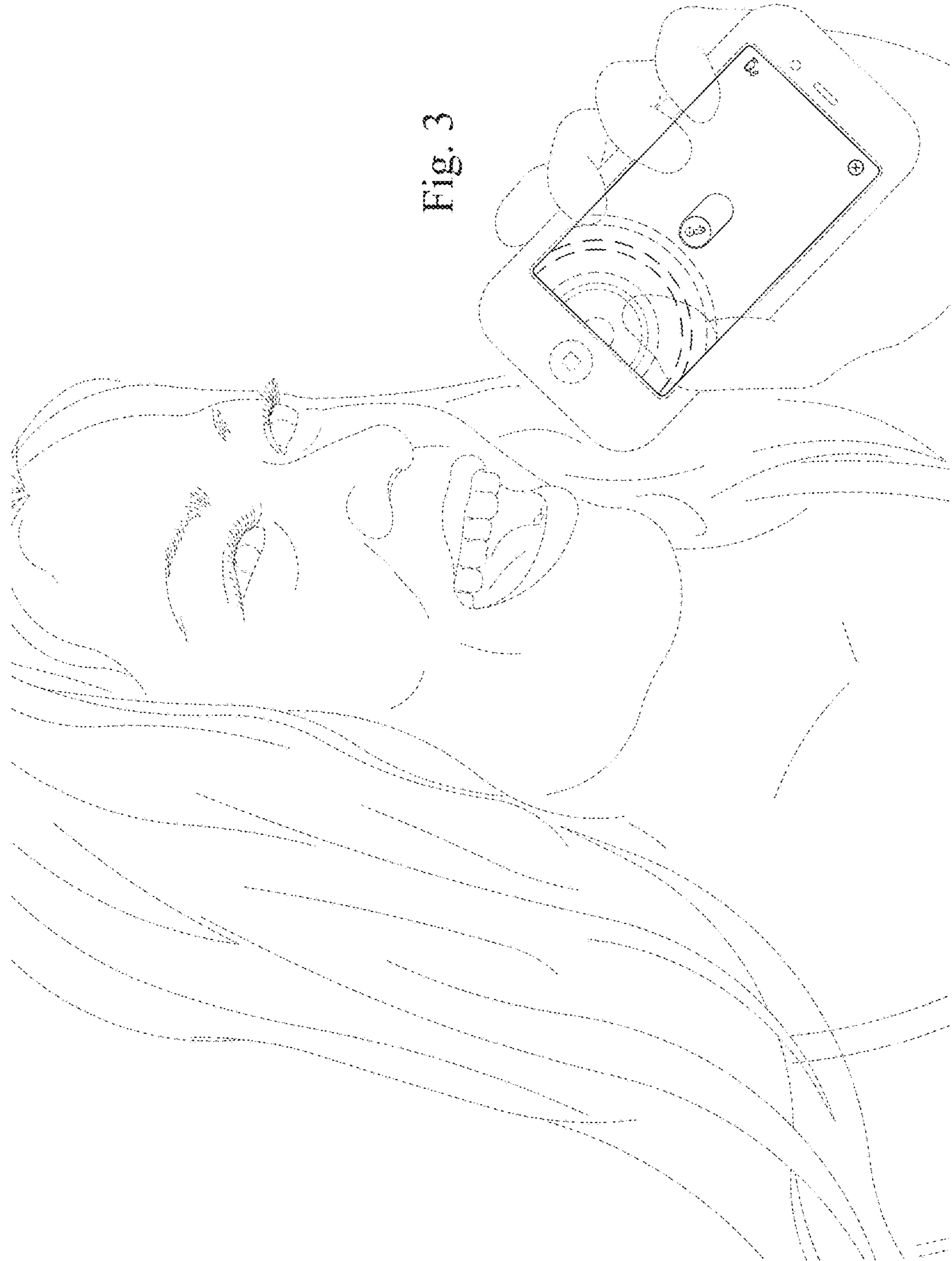


Fig. 3