



US00D803242S

(12) **United States Design Patent** (10) **Patent No.:** **US D803,242 S**
Mizono et al. (45) **Date of Patent:** **** Nov. 21, 2017**

(54) **DISPLAY SCREEN WITH ANIMATED GRAPHICAL USER INTERFACE FOR AN ALARM SILENCE ICON**

(71) Applicant: **GOOGLE INC.**, Mountain View, CA (US)

(72) Inventors: **Michael Mizono**, Mountain View, CA (US); **Zachery Webster Kennedy**, San Jose, CA (US); **Ted Boda**, Mountain View, CA (US); **Jason Ketterman**, Mountain View, CA (US); **Jesse Boettcher**, Mountain View, CA (US); **Lauren Von Dehsen**, San Francisco, CA (US); **Tomas Brennessl**, Palo Alto, CA (US); **Chikezie Ejiasi**, Mountain View, CA (US); **Nina Shih**, Mountain View, CA (US); **Tracy Kuwatani**, Mountain View, CA (US)

(73) Assignee: **GOOGLE INC.**, Mountain View, CA (US)

(**) Term: **15 Years**

(21) Appl. No.: **29/530,571**

(22) Filed: **Jun. 17, 2015**

Related U.S. Application Data

(63) Continuation of application No. 14/738,928, filed on Jun. 14, 2015.

(51) **LOC (10) Cl.** **14-04**

(52) **U.S. Cl.**
USPC **D14/486**

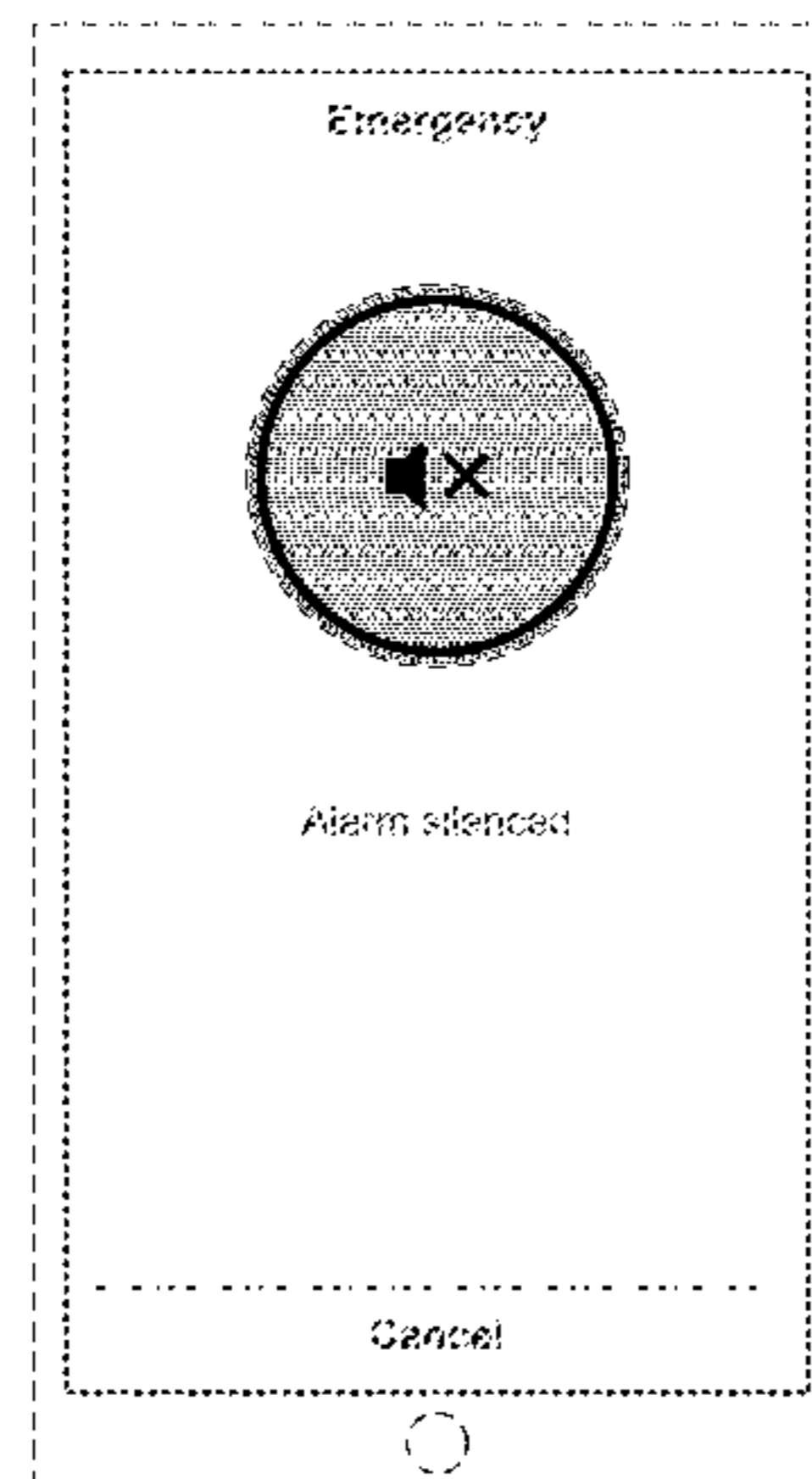
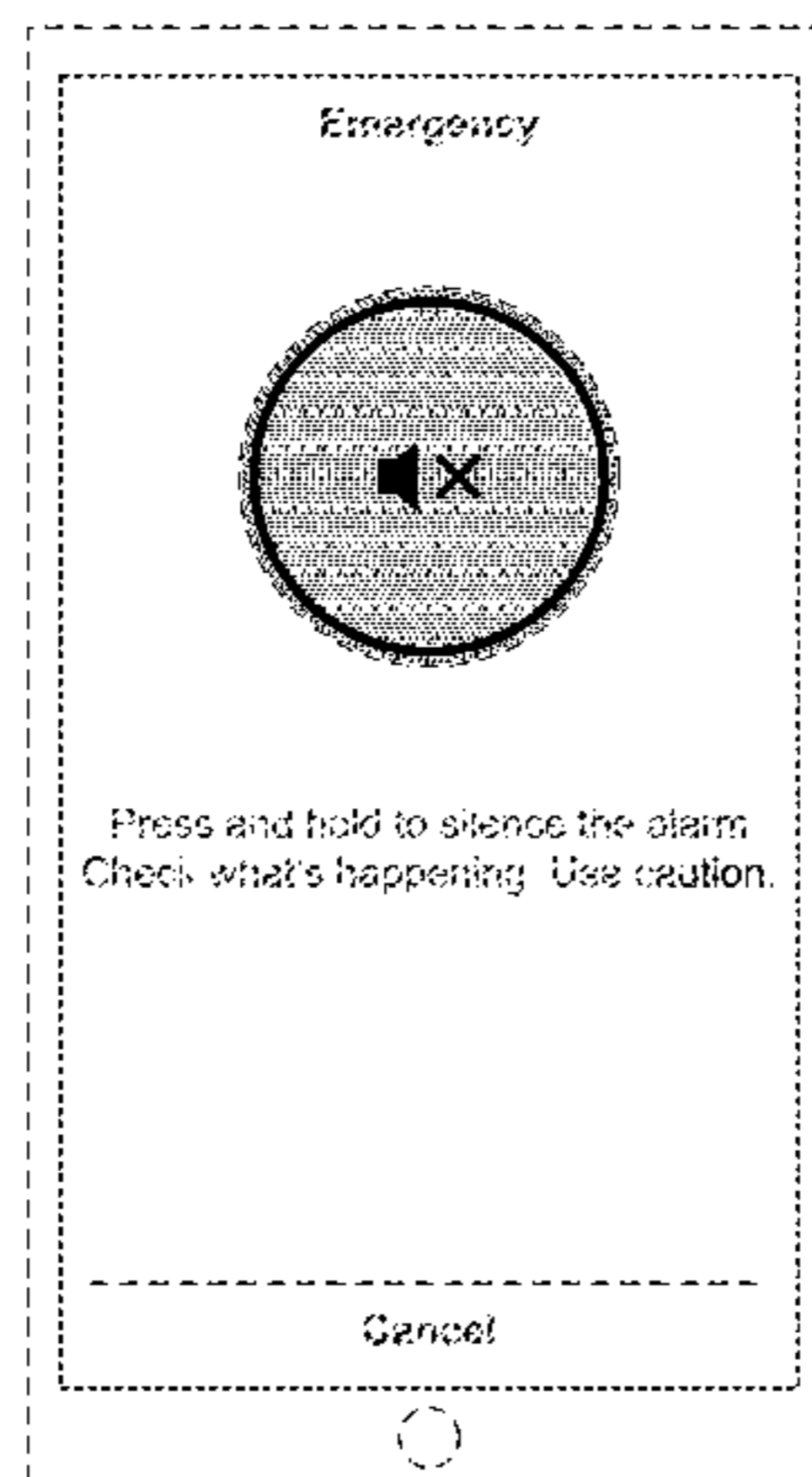
(58) **Field of Classification Search**
USPC D14/485-495
CPC .. G06F 3/0481; G06F 3/0482; G06F 3/04817;
G06F 3/04883; G06F 3/04815; G06F
3/0485; G06F 3/04886

See application file for complete search history.

(56) **References Cited**

U.S. PATENT DOCUMENTS

5,625,410 A	4/1997	Washino et al.	
5,765,485 A	6/1998	Thoman et al.	
D424,036 S	5/2000	Arora et al.	
D456,293 S	4/2002	Tsumura et al.	
D550,227 S *	9/2007	Sato	D14/485
D597,864 S	8/2009	Sakuma et al.	
D607,004 S	12/2009	Kordus et al.	
D621,730 S	8/2010	Driver et al.	
D626,131 S *	10/2010	Kruzeniski	D14/485
7,877,708 B2	1/2011	Zinn et al.	
7,884,855 B2	2/2011	Ortiz	
7,903,115 B2	3/2011	Platzer et al.	
7,996,771 B2	8/2011	Girgensohn et al.	
D647,809 S	11/2011	Driver	
D656,157 S	3/2012	Khan et al.	
D658,674 S	5/2012	Shallcross et al.	
D661,701 S *	6/2012	Brown	D14/486
D662,508 S	6/2012	Kim	
D664,966 S	8/2012	Shallcross et al.	
D664,978 S	8/2012	Tanghe et al.	
D672,364 S	12/2012	Reyna et al.	
8,340,654 B2	12/2012	Bratton et al.	
D677,269 S	3/2013	Scott et al.	
D678,898 S	3/2013	Walsh et al.	
D681,653 S	5/2013	Bitran et al.	
D681,660 S	5/2013	Matas	
D684,164 S	6/2013	Friedlander et al.	
D686,221 S	7/2013	Brinda et al.	
D689,892 S	9/2013	Perry et al.	
D689,895 S	9/2013	DeLuca	
D692,450 S	10/2013	Convay et al.	
D694,255 S	11/2013	Jones, Jr.	
8,589,374 B2	11/2013	Chaudhri	
8,615,511 B2	12/2013	Jones	
D697,940 S	1/2014	Bitran et al.	
8,665,375 B2	3/2014	Moore et al.	
D702,704 S	4/2014	Santos et al.	
D708,197 S	7/2014	Pasceri et al.	
D708,204 S	7/2014	Pasceri et al.	
D714,334 S	9/2014	Cojuangco et al.	
8,830,193 B2	9/2014	Shah	
8,843,239 B2 *	9/2014	Mighdoll	F24F 11/0012 236/91 D
D716,334 S *	10/2014	Lee	D14/486
D717,809 S	11/2014	Tsuru et al.	
D717,823 S *	11/2014	Brotman	D14/486
8,917,274 B2	12/2014	Ma et al.	
D720,765 S	1/2015	Xie et al.	
D720,766 S	1/2015	Mandal et al.	



D721,382 S	1/2015	Brinda et al.	2013/0179836 A1	7/2013	Han et al.
D723,576 S	3/2015	Jones	2013/0185150 A1	7/2013	Crum
D724,603 S	3/2015	Williams et al.	2013/0211783 A1*	8/2013	Fisher G06F 11/30
D725,666 S	3/2015	Tseng et al.			702/182
8,984,436 B1	3/2015	Tseng et al.	2013/0263034 A1*	10/2013	Bruck F24F 11/0086
D726,735 S	4/2015	Asai			715/771
D736,223 S *	8/2015	Park D14/485	2013/0311909 A1	11/2013	Howard et al.
D736,792 S *	8/2015	Brinda D14/485	2013/0325332 A1	12/2013	Rhee et al.
D737,278 S *	8/2015	Shin D14/485	2013/0328997 A1	12/2013	Desai
D737,283 S *	8/2015	Scalisi D14/485	2013/0332886 A1	12/2013	Cranfill et al.
D739,864 S	9/2015	Kang	2014/0012574 A1	1/2014	Pasupalak et al.
D740,300 S *	10/2015	Lee G06F 3/04817	2014/0013243 A1	1/2014	Flynn, III et al.
		D14/485	2014/0026061 A1	1/2014	Kim et al.
9,170,707 B1	10/2015	Laska et al.	2014/0033071 A1	1/2014	Gruber et al.
D745,527 S *	12/2015	Wang D14/485	2014/0043485 A1	2/2014	Bateman et al.
D746,828 S *	1/2016	Arai D14/485	2014/0064738 A1	3/2014	Chen et al.
D746,849 S	1/2016	Anzures et al.	2014/0189518 A1	7/2014	Kim et al.
D747,333 S *	1/2016	Supino D14/486	2014/0189586 A1	7/2014	Waldman et al.
D748,666 S	2/2016	Heeter et al.	2014/0222424 A1	8/2014	Hartford et al.
D749,620 S	2/2016	Jones	2014/0232873 A1	8/2014	Meganathan
D751,090 S *	3/2016	Hu D14/485	2014/0277795 A1*	9/2014	Matsuoka G06Q 30/0202
D752,061 S *	3/2016	Ahn D14/485			700/291
D752,072 S *	3/2016	Song D14/486	2014/0313377 A1	10/2014	Hampton
D753,132 S *	4/2016	Cuthbert D14/485	2015/0023650 A1	1/2015	Austin et al.
D753,151 S *	4/2016	Lee D14/485	2015/0058709 A1	2/2015	Zaletel
D753,703 S	4/2016	Villamor et al.	2015/0143239 A1	5/2015	Birkbeck et al.
D753,708 S *	4/2016	Yang G06F 3/04817	2015/0173846 A1	6/2015	Schneider et al.
		D14/488	2015/0193127 A1	7/2015	Chai et al.
D754,713 S *	4/2016	Zhang D14/487	2015/0227196 A1	8/2015	Fujii et al.
D754,714 S *	4/2016	Zhang D14/487	2015/0242404 A1	8/2015	Underwood, IV et al.
D756,379 S *	5/2016	Apodaca D14/485	2015/0269643 A1	9/2015	Riley et al.
D756,401 S *	5/2016	Soldner D14/488	2015/0310280 A1	10/2015	Bentley et al.
D757,090 S	5/2016	Myung	2016/0004390 A1	1/2016	Laska et al.
D757,747 S *	5/2016	Butcher D14/485	2016/0034574 A1	2/2016	Kang
D757,784 S	5/2016	Lee et al.	2016/0041724 A1	2/2016	Kirkby et al.
D758,386 S	6/2016	Zhang	2016/0110064 A1	4/2016	Shapira
D758,422 S *	6/2016	Zhao G06F 3/04817	2016/0139671 A1	5/2016	Jun et al.
		D14/488	2016/0139747 A1	5/2016	Kocienda et al.
D759,688 S	6/2016	Wu	2016/0155315 A1	6/2016	McElhinney et al.
D760,769 S *	7/2016	Ishii D14/488	2016/0364114 A1*	12/2016	Von Dehsen G06F 3/04817
D761,277 S *	7/2016	Harvell D14/485			
D763,271 S *	8/2016	Everette D14/485			
D763,306 S *	8/2016	Lee D14/488			
D763,869 S *	8/2016	Wang D14/485			
D763,888 S	8/2016	Patel			
D765,674 S *	9/2016	Kim D14/485			
D765,678 S *	9/2016	Goux D14/485			
D768,687 S	10/2016	Bae et al.			
D769,897 S *	10/2016	Li D14/485			
D769,930 S *	10/2016	Agrawal D14/488			
9,471,452 B2	10/2016	McElhinney et al.			
D771,645 S	11/2016	Jewitt et al.			
D772,257 S *	11/2016	Furutani D14/486			
D772,894 S	11/2016	Zhao et al.			
D775,658 S *	1/2017	Luo D14/488			
D776,126 S *	1/2017	Lai D14/485			
D776,680 S *	1/2017	Bae D14/485			
D776,690 S *	1/2017	Tsujimoto D14/486			
D776,702 S *	1/2017	Huang D14/486			
2002/0116120 A1	8/2002	Ruiz et al.			
2004/0113770 A1	6/2004	Falk et al.			
2004/0260427 A1	12/2004	Wimsatt			
2008/0174570 A1	7/2008	Jobs et al.			
2008/0263468 A1	10/2008	Cappione et al.			
2009/0075694 A1	3/2009	Kim et al.			
2009/0164439 A1	6/2009	Nevins			
2009/0178007 A1	7/2009	Matas et al.			
2009/0220206 A1	9/2009	Kisliakov			
2010/0131457 A1	5/2010	Heimendinger			
2011/0040760 A1	2/2011	Fleischman et al.			
2011/0185269 A1	7/2011	Finkelstein et al.			
2012/0066608 A1	3/2012	Sundermeyer et al.			
2012/0130513 A1	5/2012	Hao et al.			
2013/0016122 A1	1/2013	Bhatt			
2013/0067365 A1	3/2013	Shrufi et al.			
2013/0072308 A1	3/2013	Peck et al.			
2013/0091432 A1	4/2013	Shet et al.			
2013/0129307 A1	5/2013	Choe			
2013/0132908 A1	5/2013	Lee et al.			

FOREIGN PATENT DOCUMENTS

WO WO 2006/120596 A2 11/2006
 WO WO 2014/137372 A1 9/2014

OTHER PUBLICATIONS

Features > Button Bars, posted at webbookbinder.com, May 8, 2011, [site visited Sep. 13, 2016]. Available from Internet: <<http://www.webbookbinder.com/Website/020New/buttonbars.asp>>.

Stock Vector—Web Site Interface Icons // Button Bar Series, posted at [alamy.com](http://www.alamy.com), Aug. 2, 2010, [site visited Sep. 13, 2016]. Available from Internet: <<http://www.alamy.com/stock-photo-web-site-interface-icons-button-bar-series-64003090.html>>.

Visavadia, Jay, “iOS7 Wireframe”, posted at dribbble.com, Dec. 19, 2013, [site visited Sep. 14, 2016]. Available from Internet: <<https://dribbble.com/shots/1352315-iOS7-Wireframe>>.

Holly, Russell, “Nest Aware, and why the Nest Cam subscription makes sense”, posted at androidcentral.com, Jul. 3, 2015, [site visited Sep. 30, 2016]. Available from Internet: <<http://www.androidcentral.com/nest-aware-and-why-nest-cam-subscription-makes-sense>>.

Blatner, WiCam: Wireless iPhone Camera, Rochester Institute of Technology, Spring 2010, 1 pg, www.ce/rit.edu/research/projects/2010_spring/WICam/index.html.

TechBitar, Bluetooth-controlled Pan/Tilt Servo Platform Using Android as Remote, downloaded Jul. 15, 2015, 9 pgs, www.techbitar.com/bluetooth-controlled-pan-tilt-servo.html.

EyeSpyFX, Viewer for D-Link Cams, IOS Version 3.1.2, 2013, 19 pgs, www.eyespyfx.com/dlink.php.

Netgear, Home Security Systems / Security Cameras / Arlo, downloaded Jul. 15, 2015, 6 pgs, arlo.com/en-us.

CNET, Netgear Arlo Smart Home Security review, downloaded Jul. 15, 2015, 5 pgs, www.cnet.com/products/netgear-arlo-smart-home-security-kit.

Arlo on the App Store on iTunes, downloaded Jul. 15, 2015, 2 pgs, itunes.apple.com/us/app/arlo/id925911312?mt=8.

AppCrawlr, ipCam FC—IP camera surveillance (ios), downloaded Jul. 15, 2015, 2 pgs, appcrawlr.com/ios/ipcam-fc-ip-camera-surveillance.

Siml, ipCamFC—IP camera surveillance, downloaded Jul. 15, 2015, 2 pgs, itunes.apple.com/us/app/ipcam-fc-ip-camera-surveillance/id548480721?mt=8.

D-Link Corporation, mydlink Lite, downloaded Jul. 15, 2015, 2 pgs, itunes.apple.com/us/app/mydlink-lite/id372571229?mt=8.

D-Link Corporation, mydlink+, downloaded Jul. 15, 2015, 2 pgs, itunes.apple.com/us/mydlink/id479832296?mt=8.

D-Link Corporation, mydlink App, downloaded Jul. 15, 2015, 4 pgs, www.mydlink.com/apps.

Wollerton, Turn your old iPod into a security camera for free, CNET, Dec. 17, 2014, 5 pgs, www.cnet.com/how-to/turn-your-old-ipod-into-a-security-camera-for-free.

Ahmed, Nafees, “5 Best Video Editing Apps for Android Devices”, posted at techbuzzes.com, Mar. 23, 2013, (site visited Jun. 3, 2016), Available from Internet <http://techbuzzes.com/2013/03/best-video-editing-apps-for-android>.

Nunal, Paul, “Best Android apps for videographers and video editors”, posted at androidauthority.com, May 3, 2012, (site visited Jun. 3, 2016), Available from Internet: <http://www.androidauthority.com/best-android-apps-videographers-video-videography-80338>.

Fitzer, Michael, “Editing Effects Software to Make Your Video Sing”, posted at videomaker.com, May 3, 2012, (site visited Jun. 3, 2016) <https://www.videomaker.com/article/c3/15366-editing-effects-software-to-make-your-video-sing>.

Vector Video Player, posted at shutterstock.com, Aug. 21, 2014, [site visited Mar. 17, 2017]. Available from Internet: <https://www.shutterstock.com/fr/image-vector/vector-audio-video-player-web-101573365>.

“Mini UI toolkit PSD Download”, posted at freepsds123.com, Jun. 21, 2014, [site visited Mar. 17, 2017]. Available from Internet: <http://www.freepsds123.com/2014/06/21/mini-ui-toolkit-psd-download>.

“Octopussy (1983)—Cancelled” posted at mi6-hq.com, Oct. 2, 2014, [site visited Mar. 17, 2017]. Available from Internet: https://www.mi6-hq.com/sections/games/octopussy_I_983.

“Dropcam”, posted at play.google.com, Aug. 20, 2015, [site visited Jan. 17, 2017]. Available from Internet: <https://play.google.com/store/apps/details?id=com.dropcam.android>.

“Foto de archivo”, posted at es.123rf.com, Apr. 23, 2015, [site visited Jan. 17, 2017]. Available from Internet: http://es.123rf.com/photo_37507296_diseno-transparente-plantilla-de-interfaz-de-usuario-movil-disposicion-para-el-movil-o-pagina-web-il.html.

Hoang, Le, “YouTube: How to Find Previously Watched Videos”, posted at tech-recipes.com, Feb. 15, 2011, [site visited Jan. 17, 2017]. Available from Internet: <http://www.tech-recipes.com/rx/11104/youtube-how-to-find-all-the-previously-watched-videos>.

“Wireframe toolkit for Keynote and Powerpoint”, posted at raizlabs.com, Jun. 29, 2011, [site visited Jan. 17, 2017]. Available from Internet: <https://www.raizlabs.com/blog/2011/06/wireframe-toolkit-for-keynote-and-powerpoint>.

* cited by examiner

Primary Examiner — Deanna L Pratt
(74) Attorney, Agent, or Firm — Morgan, Lewis & Bockius LLP

(57) **CLAIM**

The ornamental design for a display screen with animated graphical user interface for an alarm silence icon, as shown and described.

DESCRIPTION

FIG. 1 is a front view of a display screen or portion thereof with animated graphical user interface showing a first image in the sequence showing our new design;

FIG. 2 is a second image thereof;

FIG. 3 is a third image thereof;

FIG. 4 is a fourth image thereof; and

FIG. 5 is a fifth image thereof.

FIG. 6 is a front view of a display screen or portion thereof with animated graphical user interface showing a first image in the sequence showing another embodiment of our new design;

FIG. 7 is a second image thereof;

FIG. 8 is a third image thereof;

FIG. 9 is a fourth image thereof; and

FIG. 10 is a fifth image thereof.

FIG. 11 is a front view of a display screen or portion thereof with animated graphical user interface showing a first image in the sequence showing yet another embodiment of our new design;

FIG. 12 is a second image thereof;

FIG. 13 is a third image thereof;

FIG. 14 is a fourth image thereof;

FIG. 15 is a fifth image thereof;

FIG. 16 is a sixth image thereof;

FIG. 17 is a seventh image thereof;

FIG. 18 is an eighth image thereof;

FIG. 19 is a ninth image thereof;

FIG. 20 is a tenth image thereof;

FIG. 21 is an eleventh image thereof; and

FIG. 22 is a twelfth image thereof.

FIG. 23 is an additional view of the display screen shown in FIG. 1, shown in an alternative environment;

FIG. 24 is a second image thereof;

FIG. 25 is a third image thereof;

FIG. 26 is a fourth image thereof; and

FIG. 27 is a fifth image thereof.

FIG. 28 is an alternative view of the display screen shown in FIG. 6, shown in an alternative environment;

FIG. 29 is a second image thereof;

FIG. 30 is a third image thereof;

FIG. 31 is a fourth image thereof; and

FIG. 32 is a fifth image thereof.

FIG. 33 is an alternative view of the display screen shown in FIG. 11, shown in an alternative environment;

FIG. 34 is a second image thereof;

FIG. 35 is a third image thereof;

FIG. 36 is a fourth image thereof;

FIG. 37 is a fifth image thereof;

FIG. 38 is a sixth image thereof;

FIG. 39 is a seventh image thereof;

FIG. 40 is an eighth image thereof;

FIG. 41 is a ninth image thereof;

FIG. 42 is a tenth image thereof;

FIG. 43 is an eleventh image thereof; and,

FIG. 44 is a twelfth image thereof.

The broken lines illustrate portions of the display screen with animated graphical user interface for an alarm silence icon that form no part of the claimed design.

The appearance of the animated images sequentially transitions between the images shown in FIGS. 1-5, 6-10, 11-22, 23-27, 28-32, and 33-44. The process or period in which one image transitions to another forms no part of the claimed design. Furthermore, in some embodiments, the image shown in FIG. 19 continues to the image shown in FIG. 16 and thereafter sequentially transitions between the images shown in 16-19; and the image shown in FIG. 41 continues

to the image shown in FIG. **38** and thereafter sequentially transitions between the images shown in **38-41**.

1 Claim, 24 Drawing Sheets

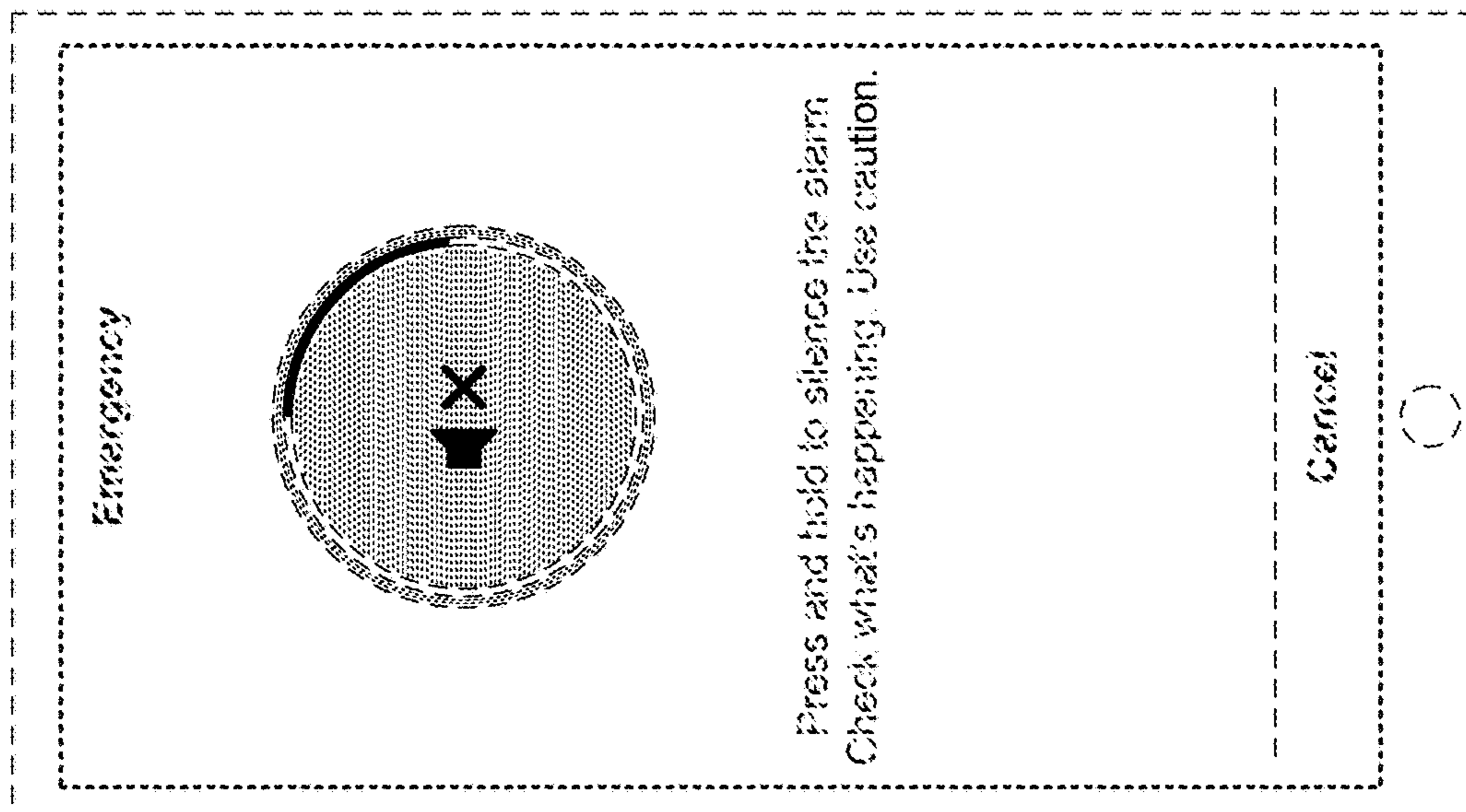


Figure 2

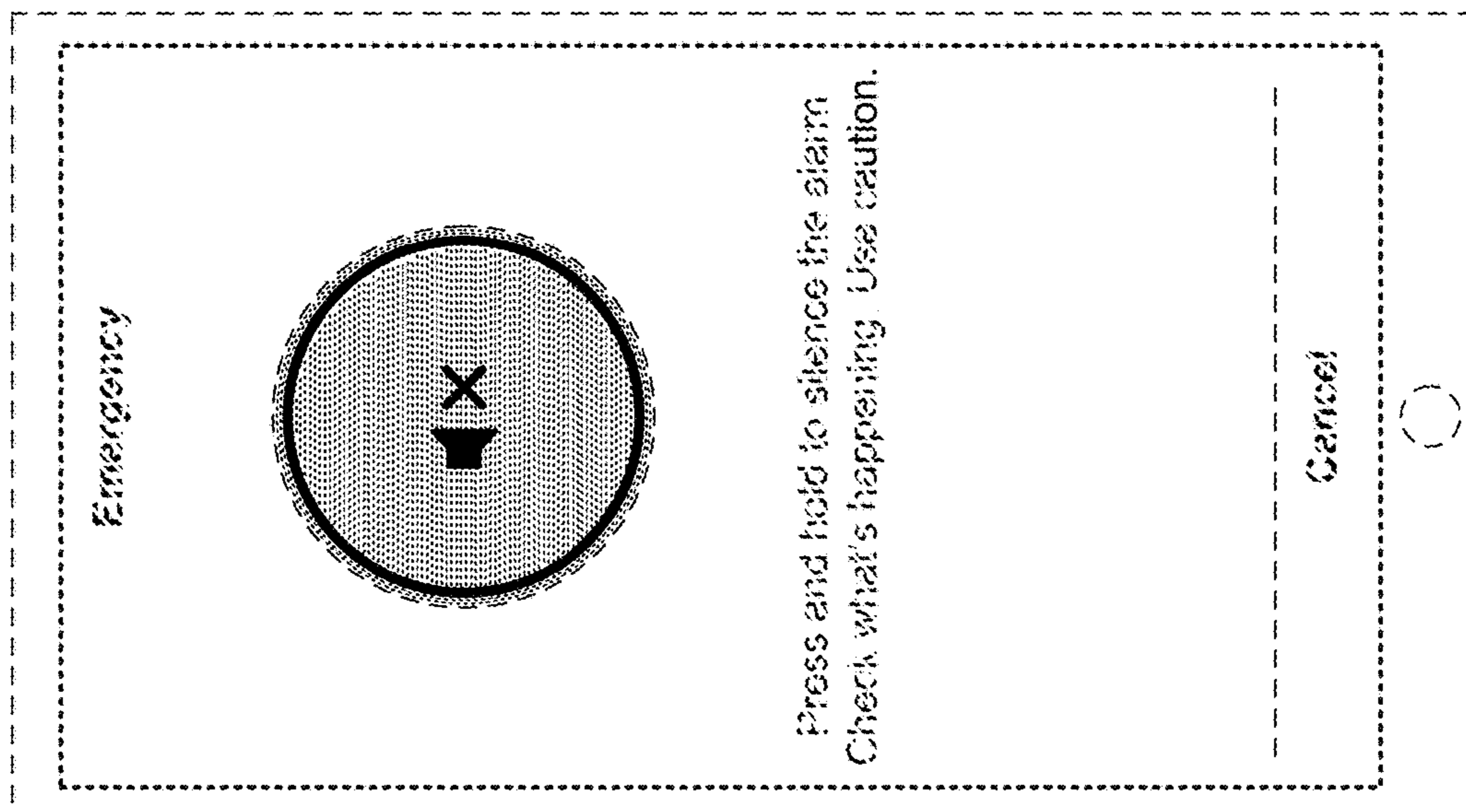


Figure 1

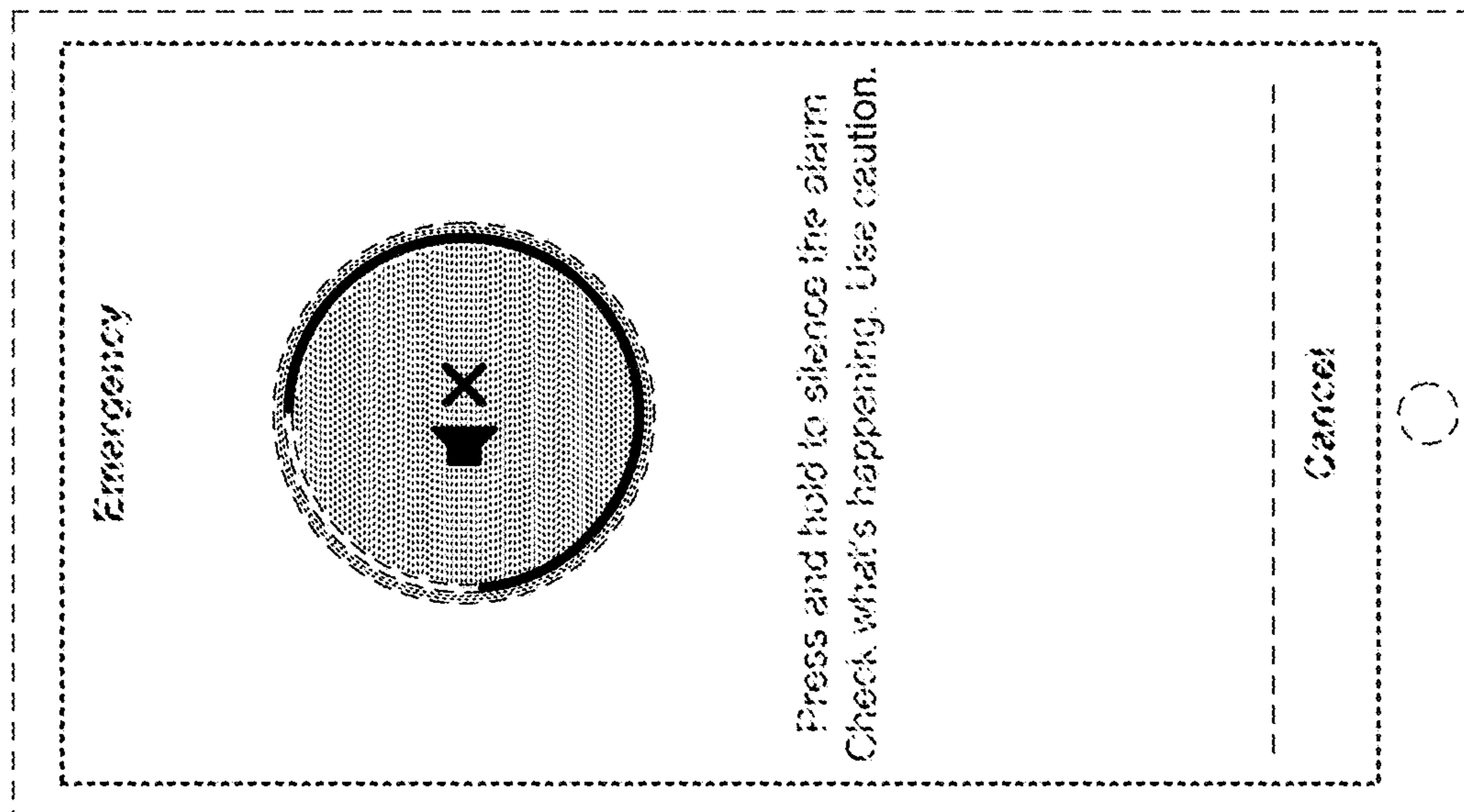


Figure 3

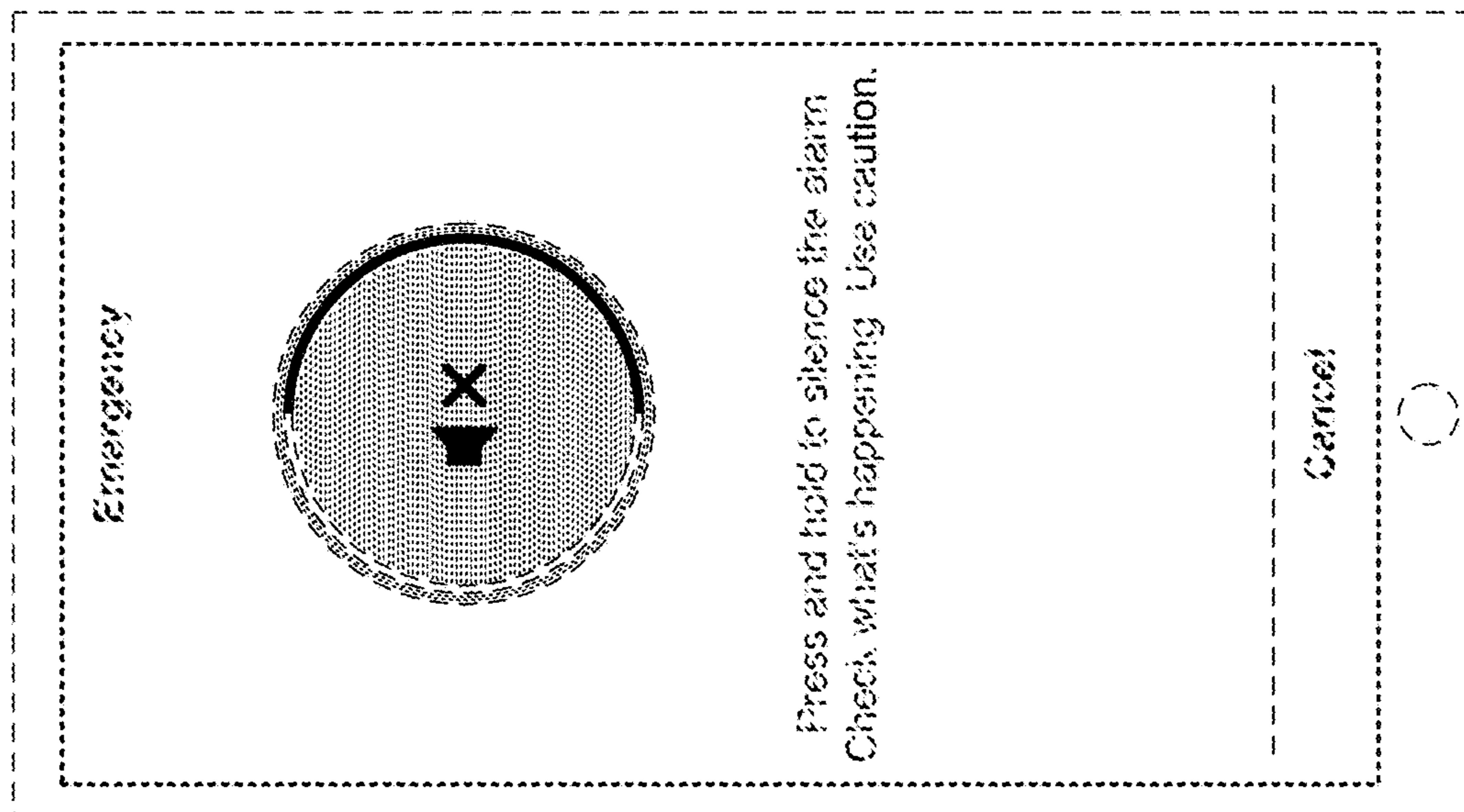


Figure 4

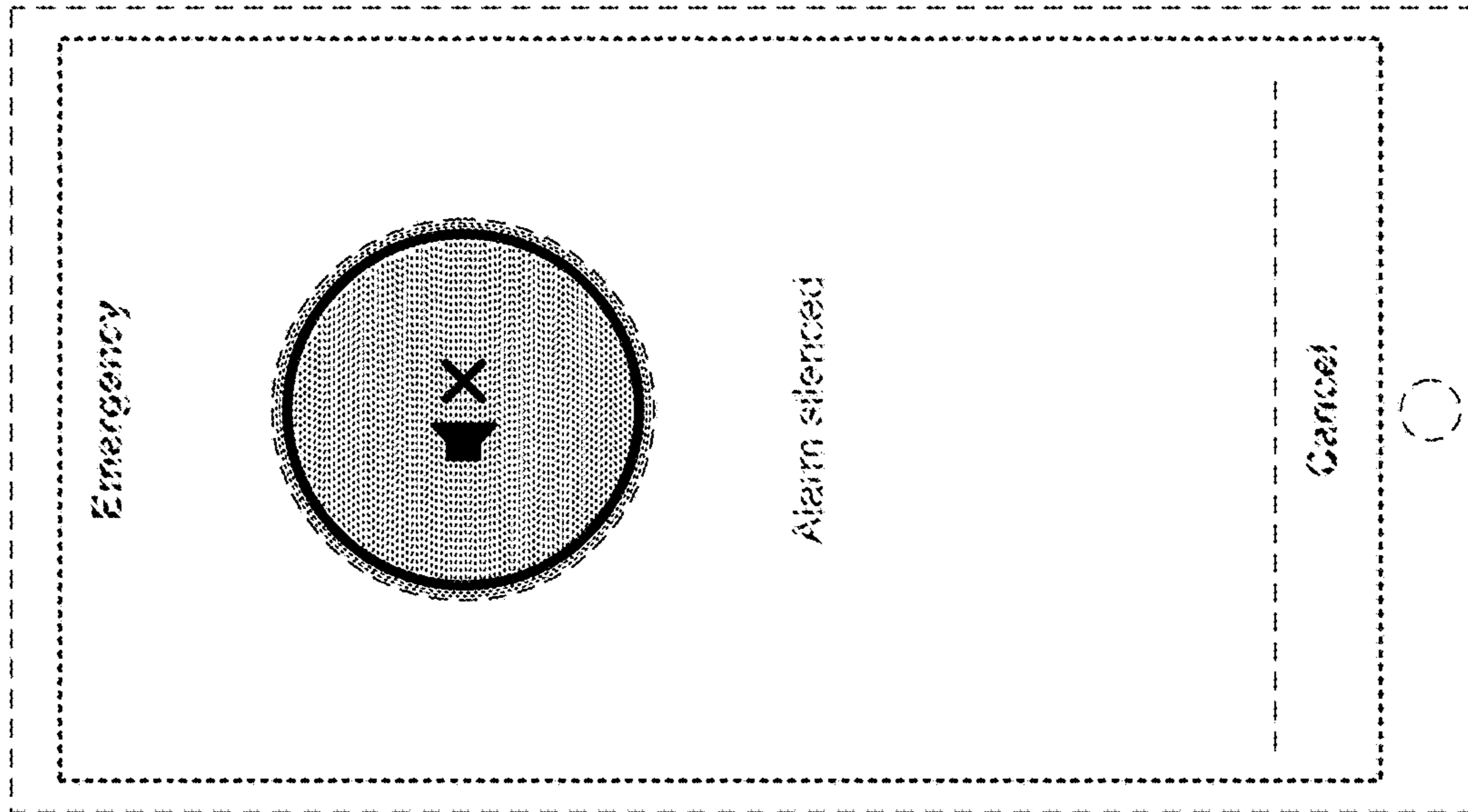


Figure 5

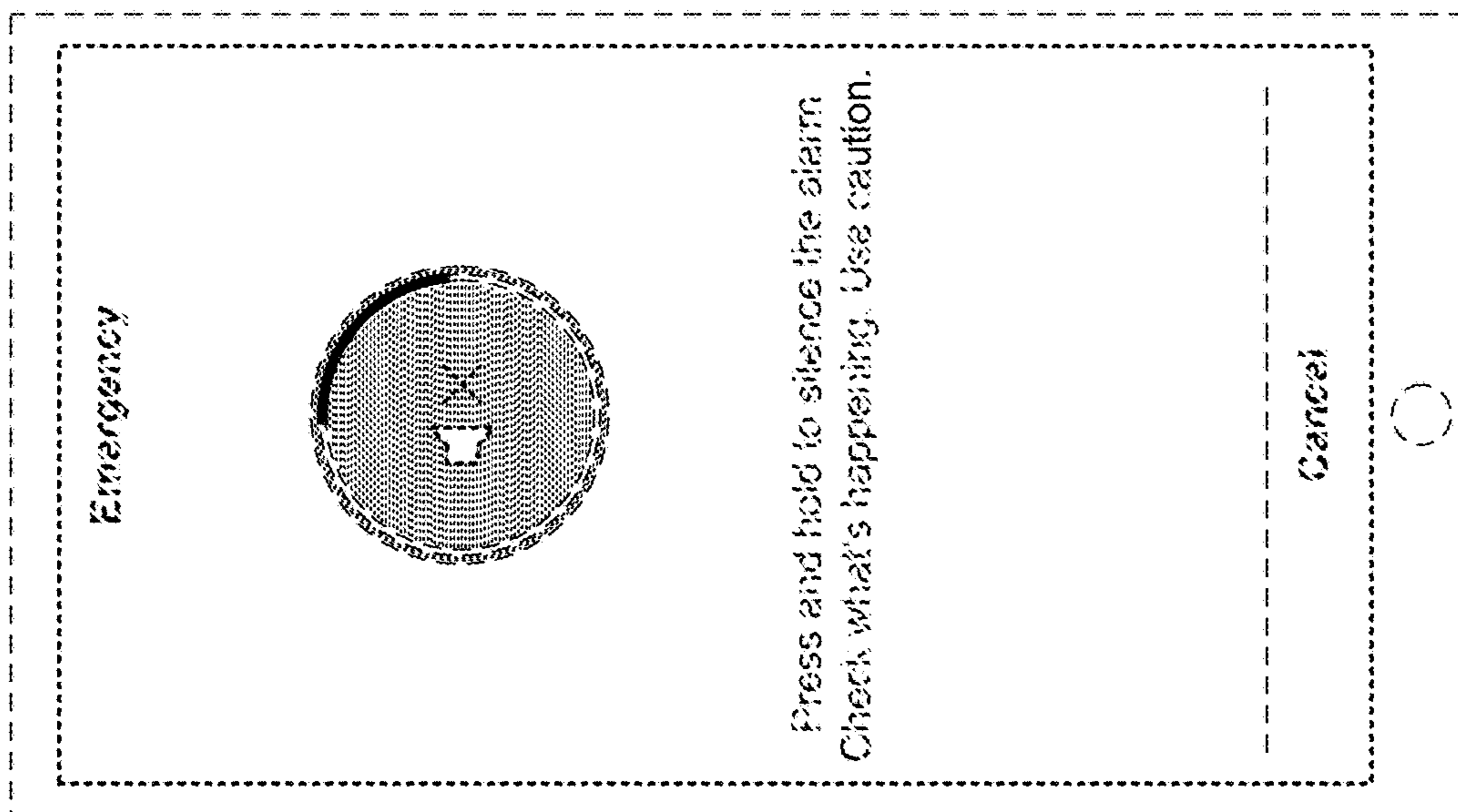


Figure 7

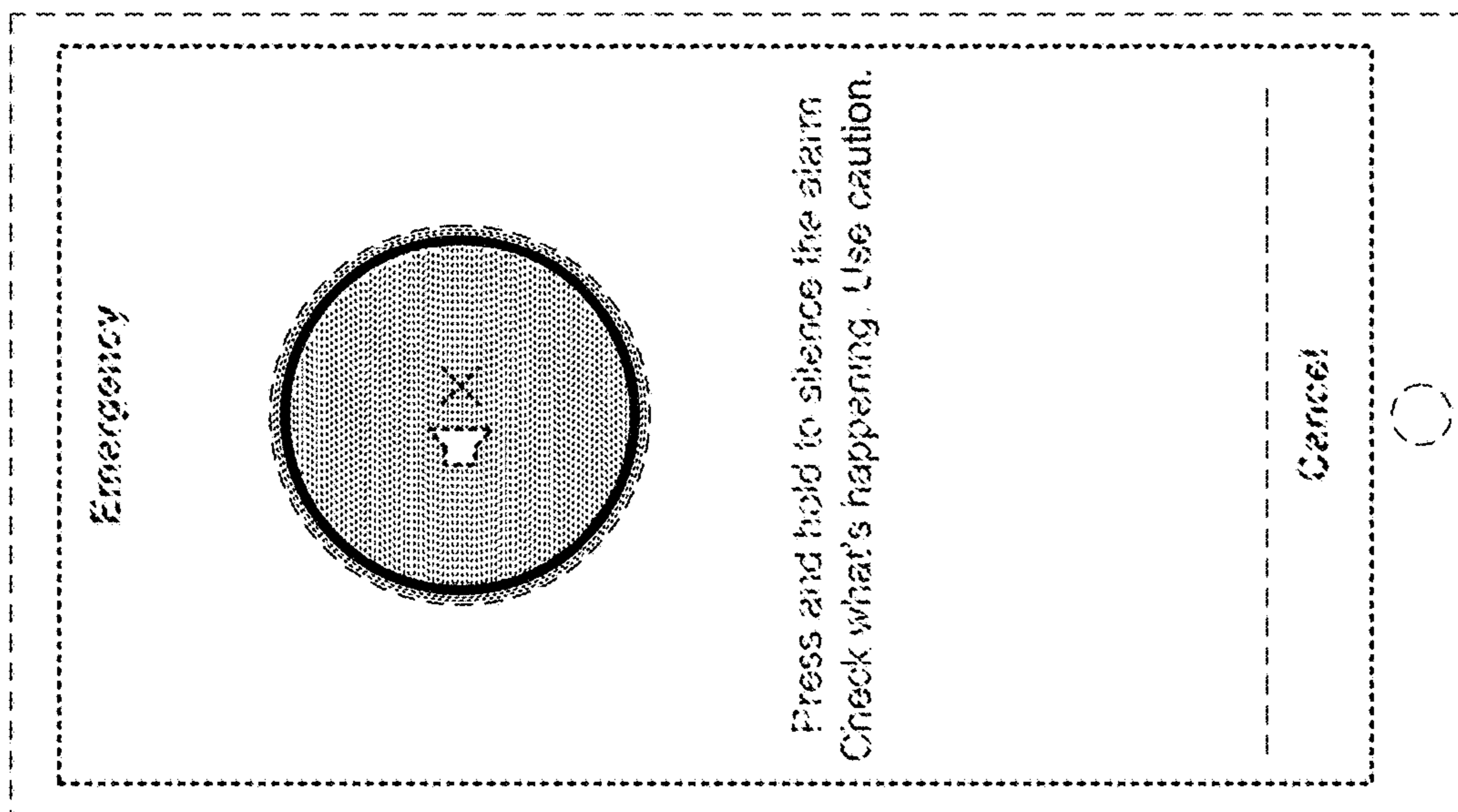


Figure 6

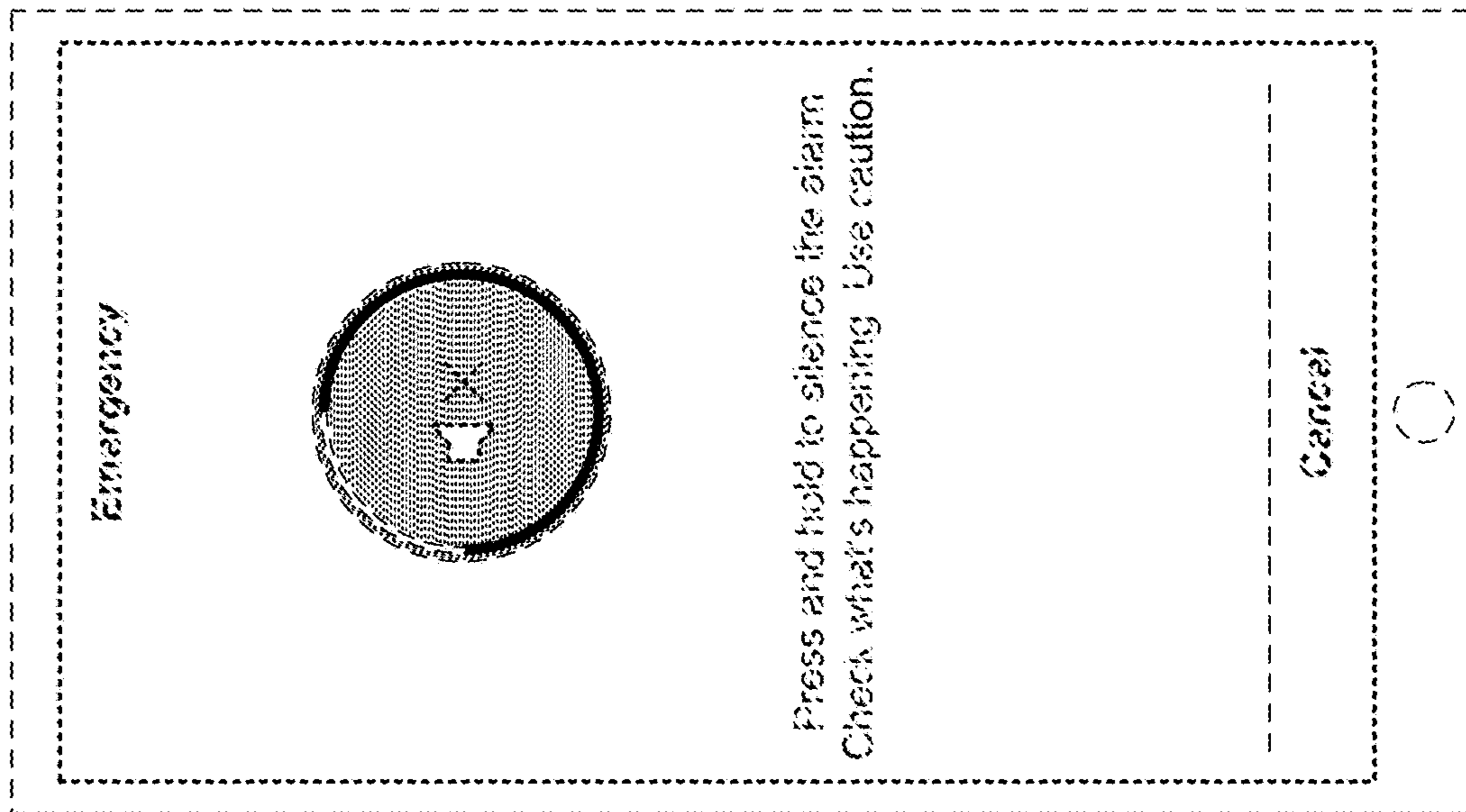


Figure 9

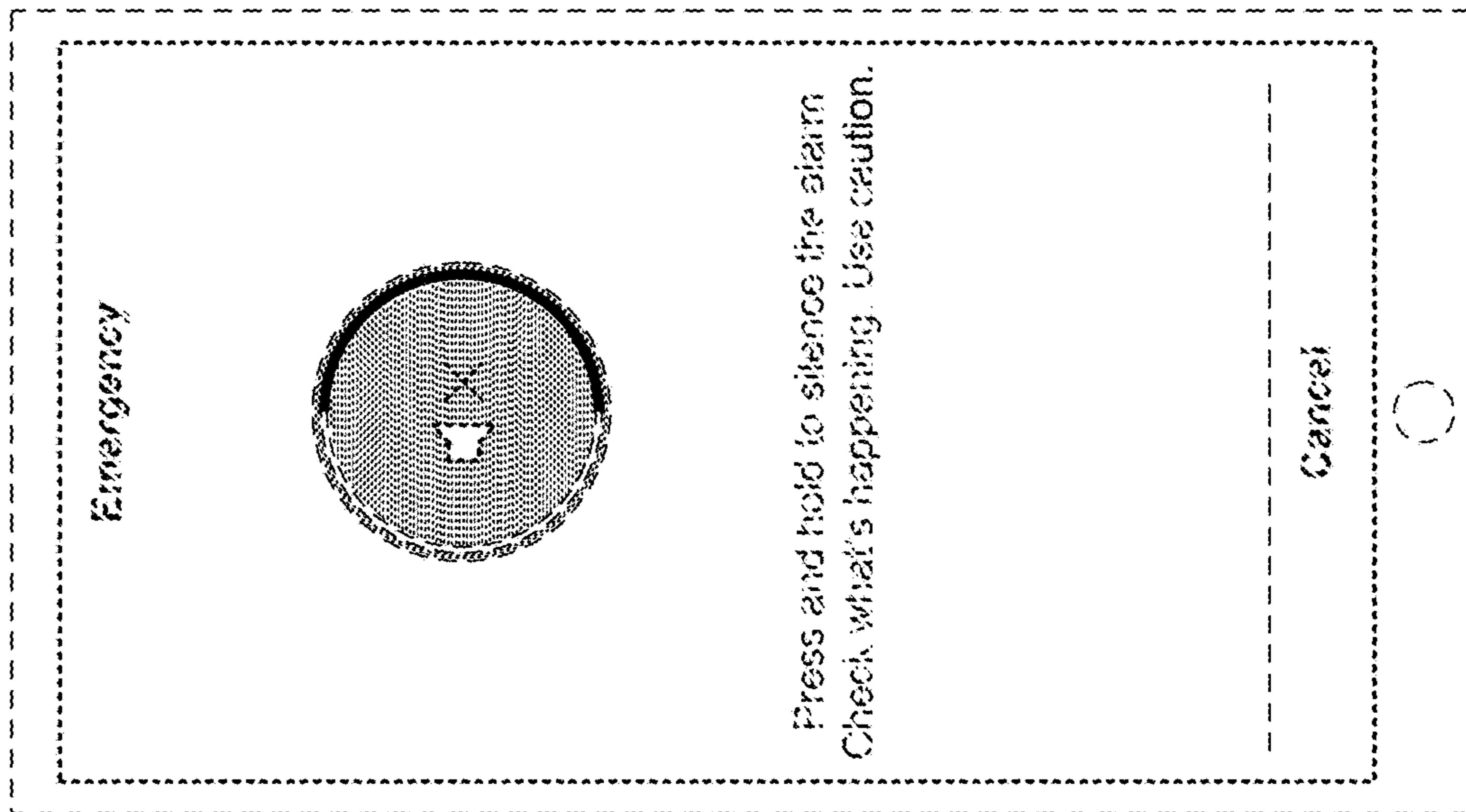


Figure 8

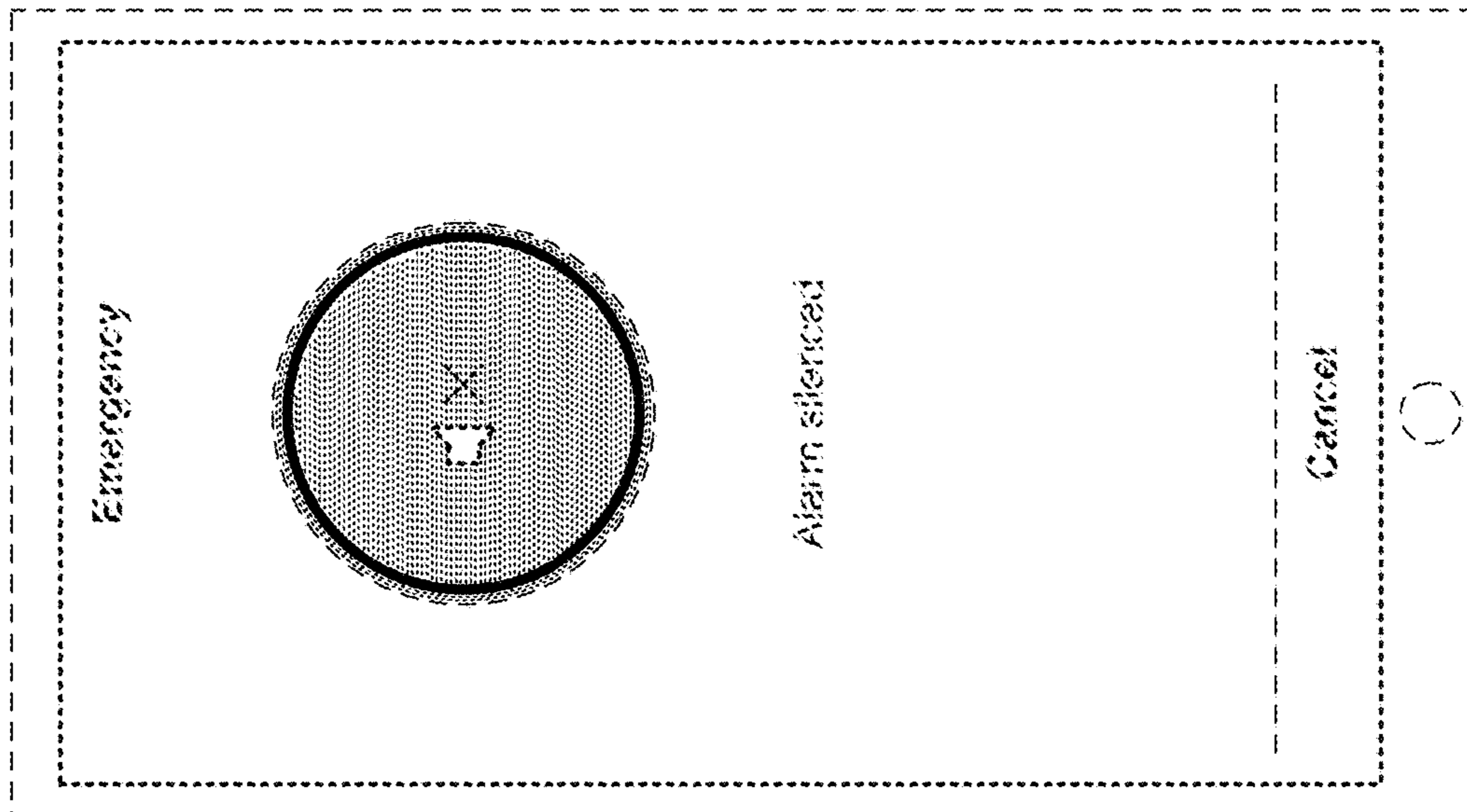


Figure 10

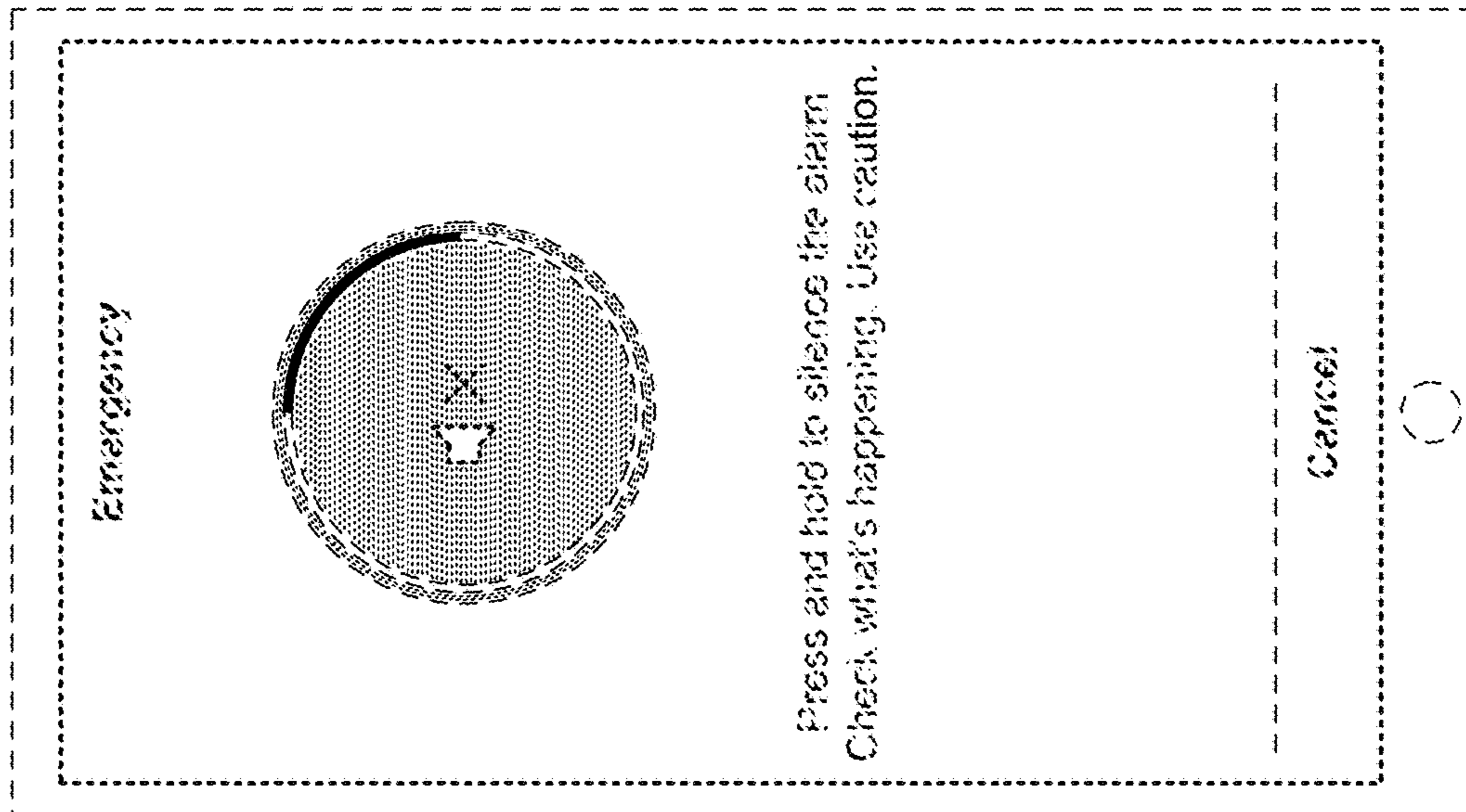


Figure 12

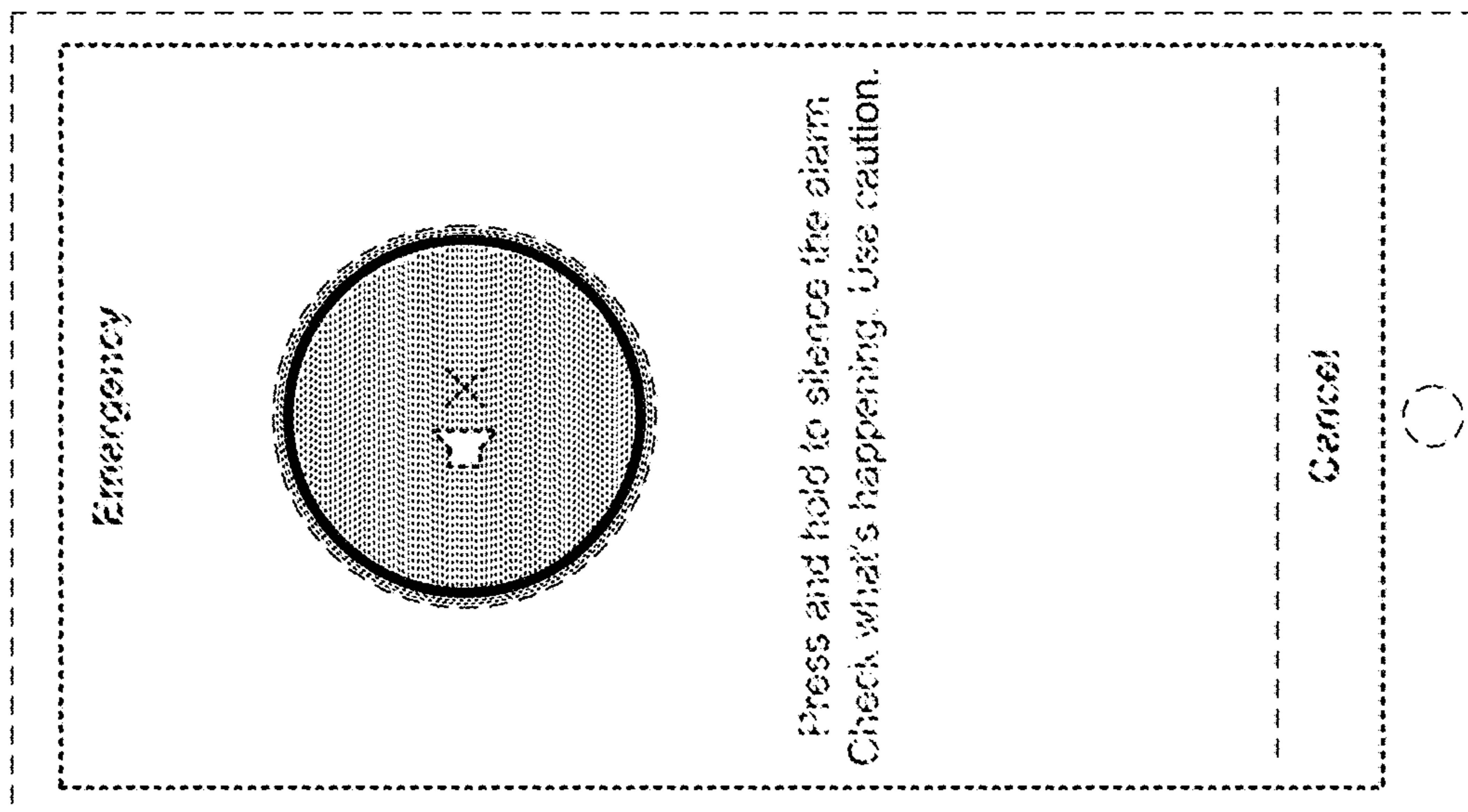


Figure 11

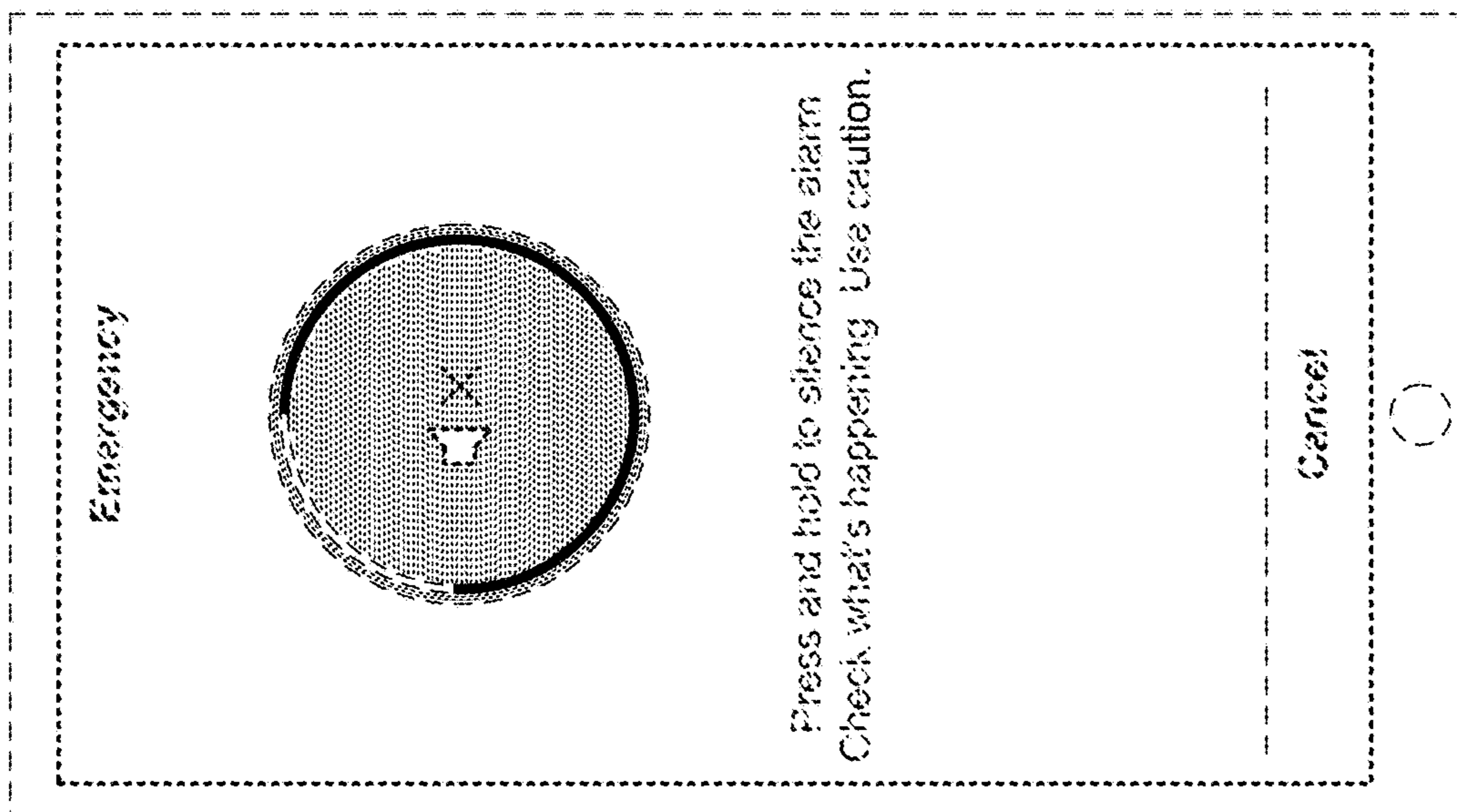


Figure 14

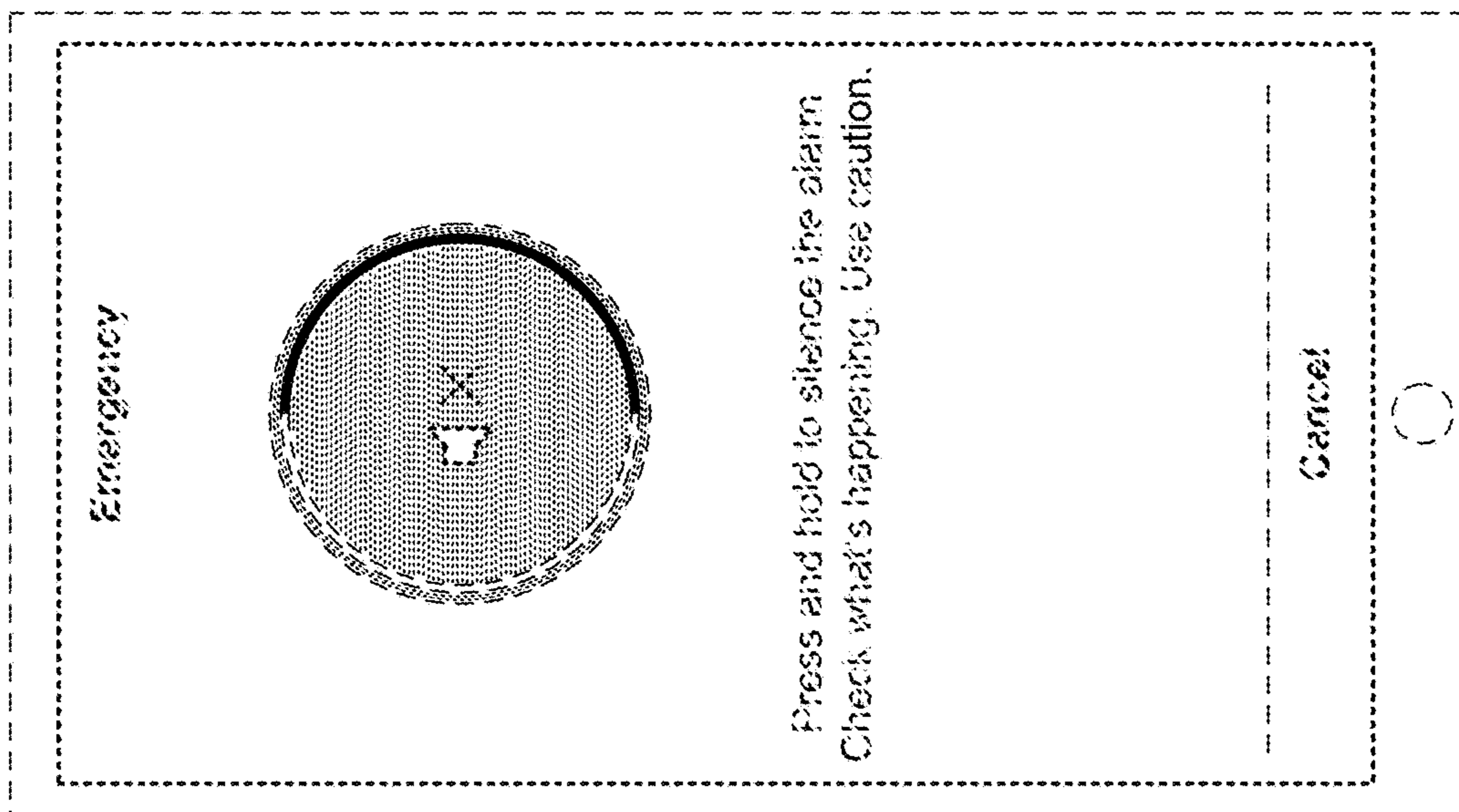


Figure 13

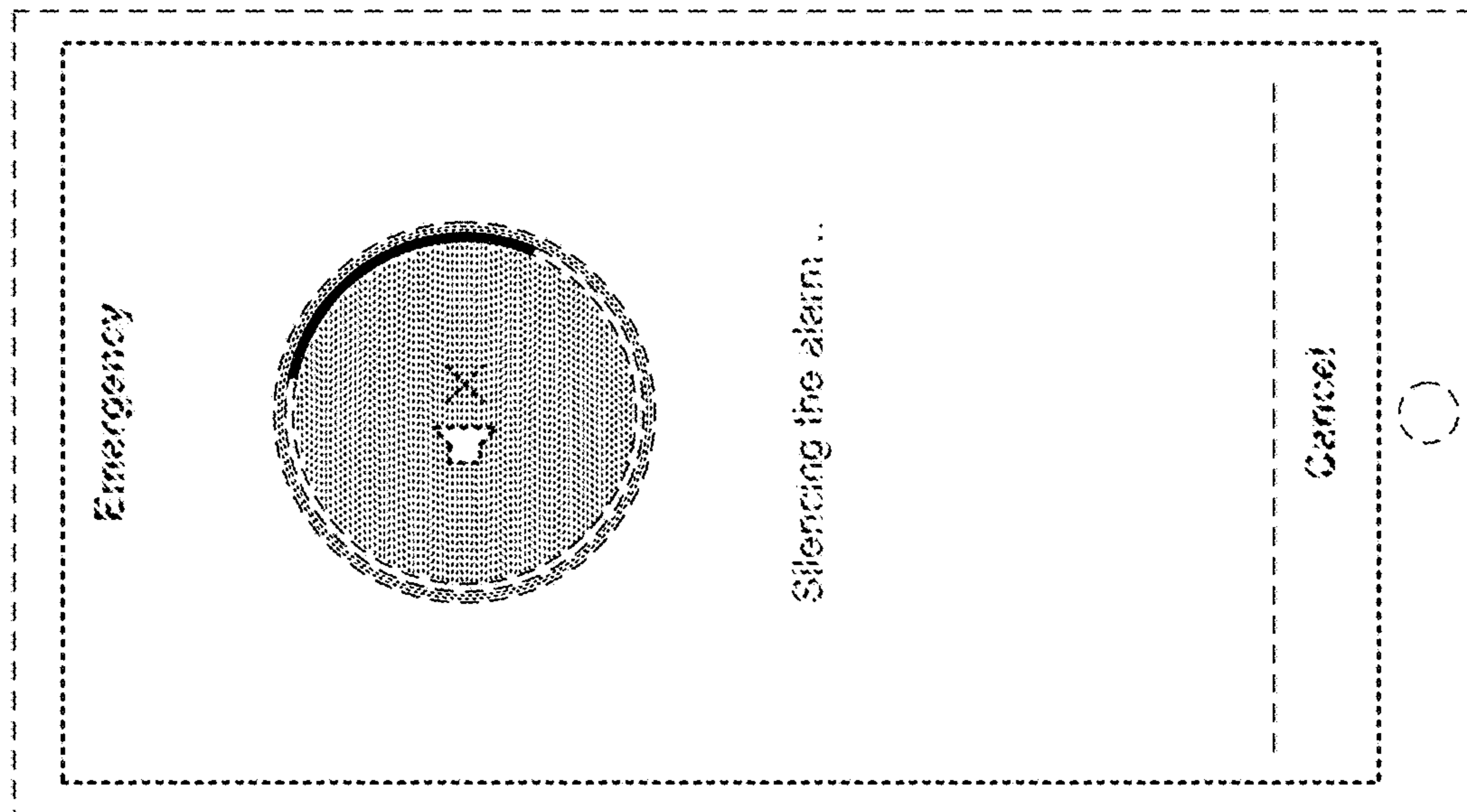


Figure 15

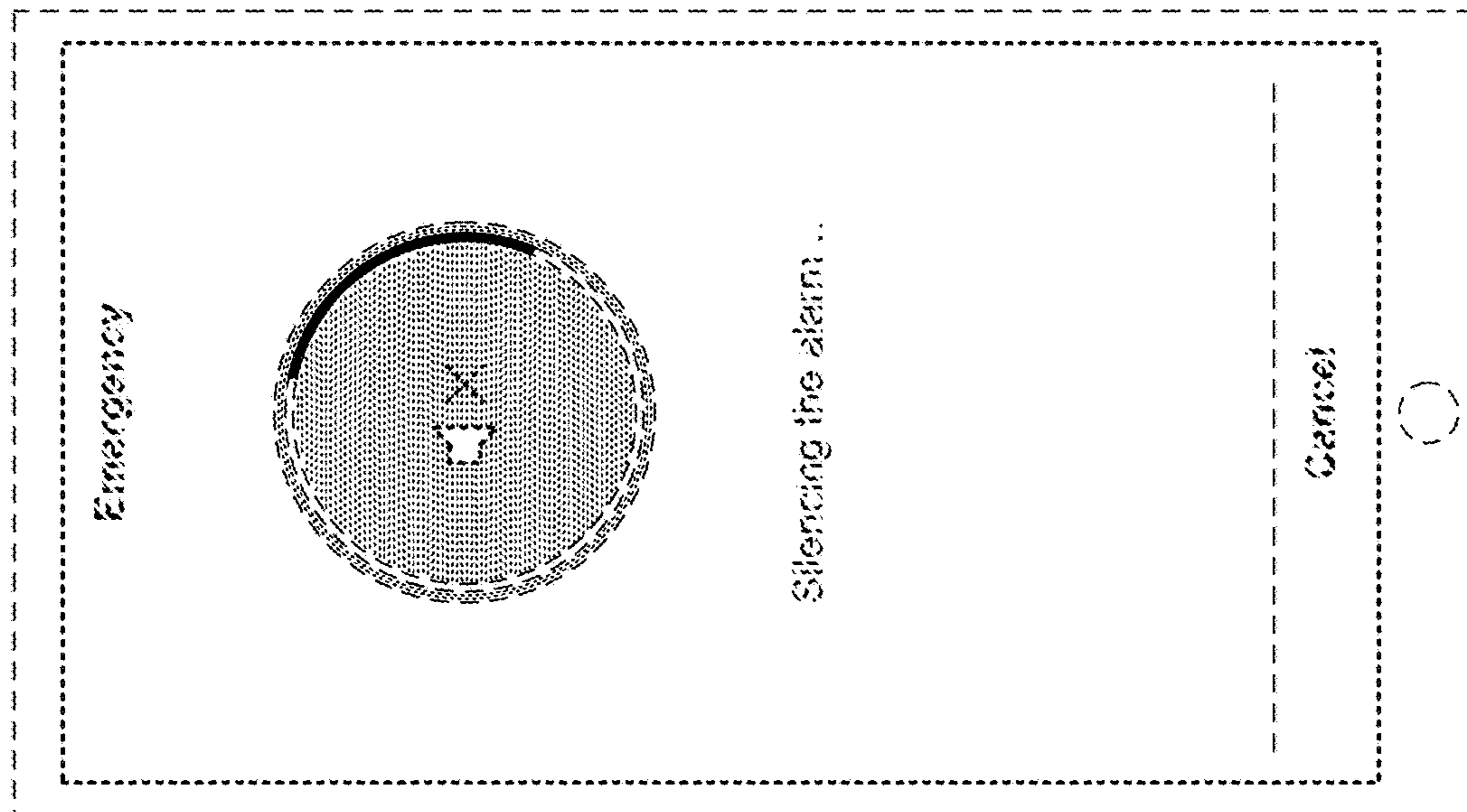


Figure 16

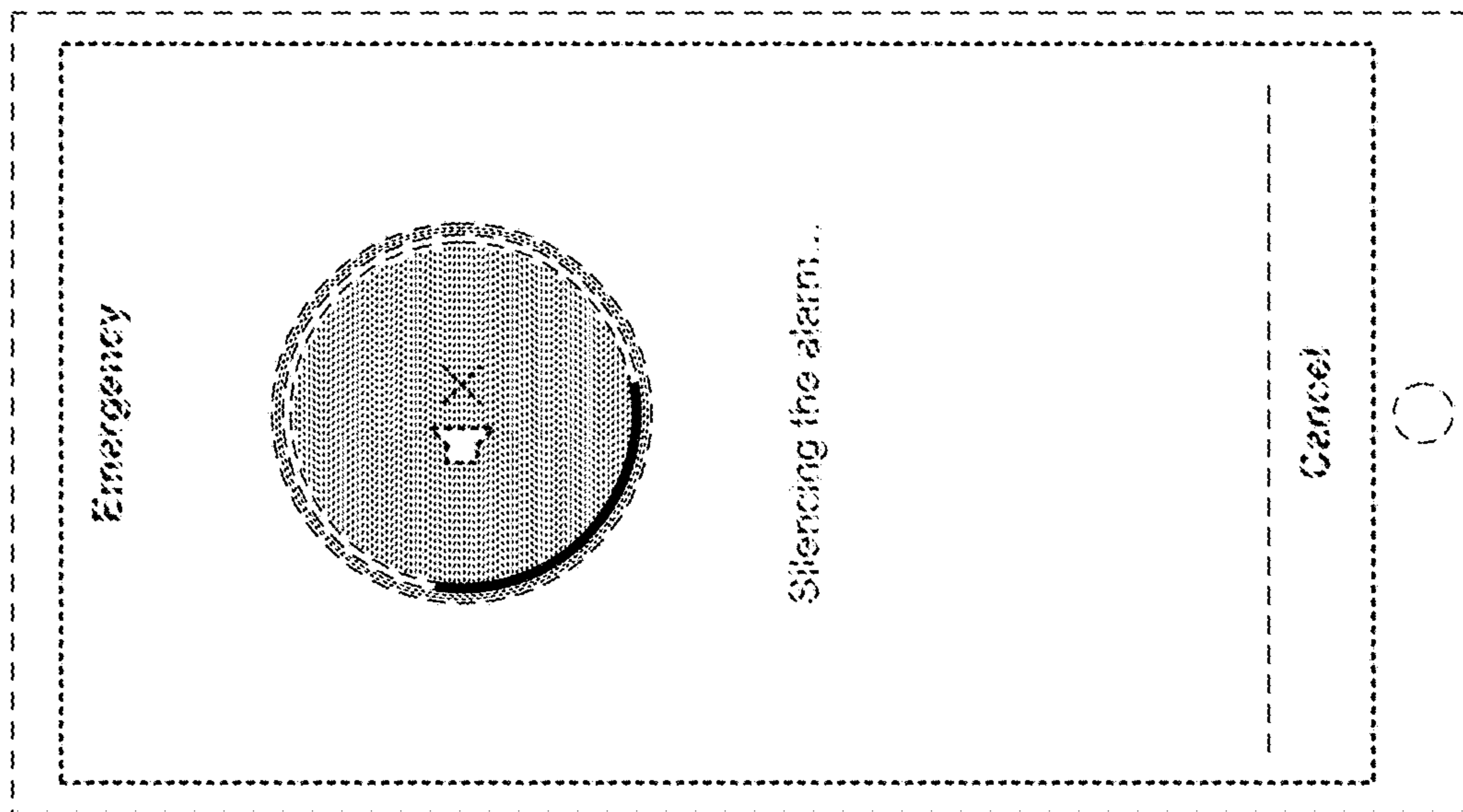


Figure 18

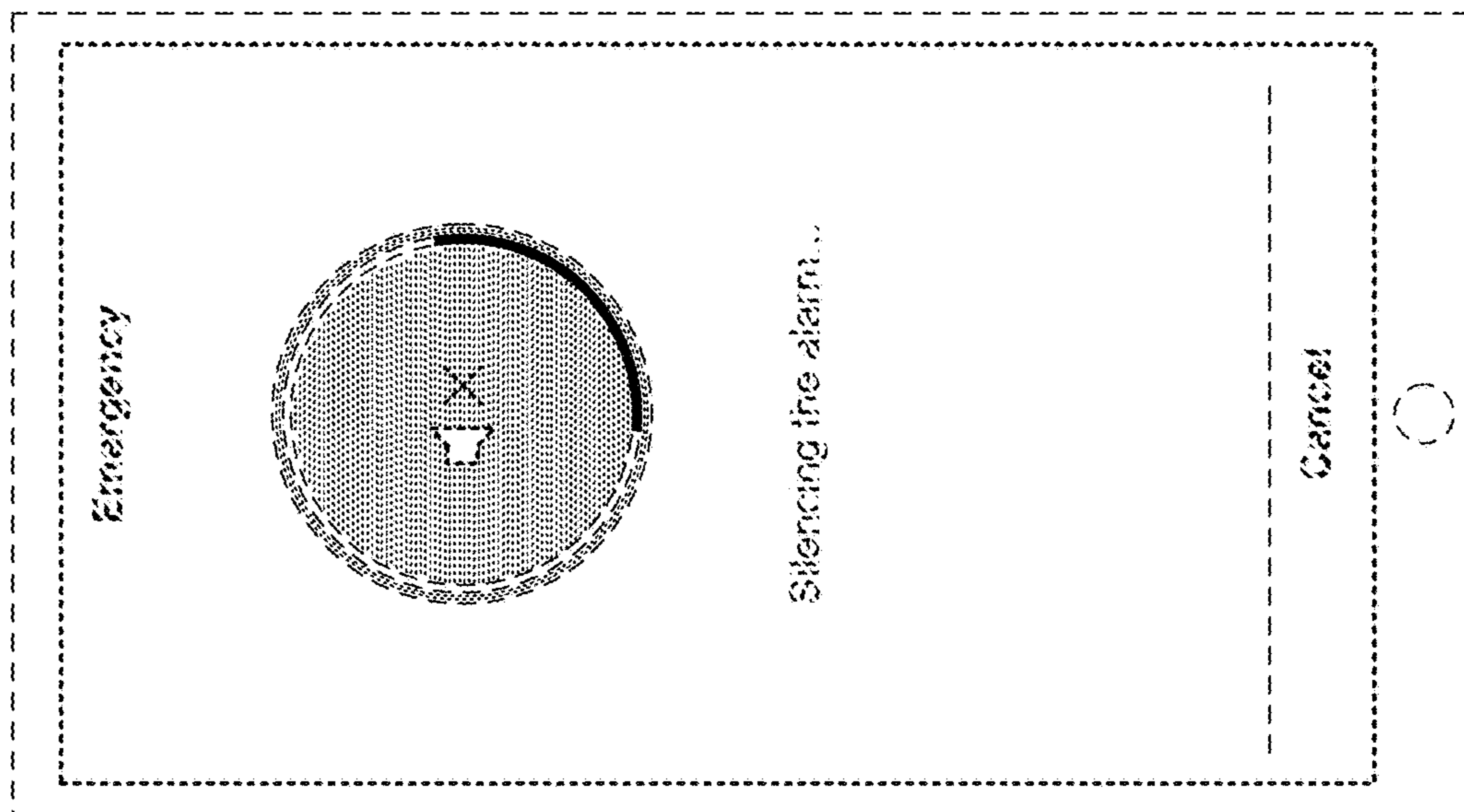


Figure 17

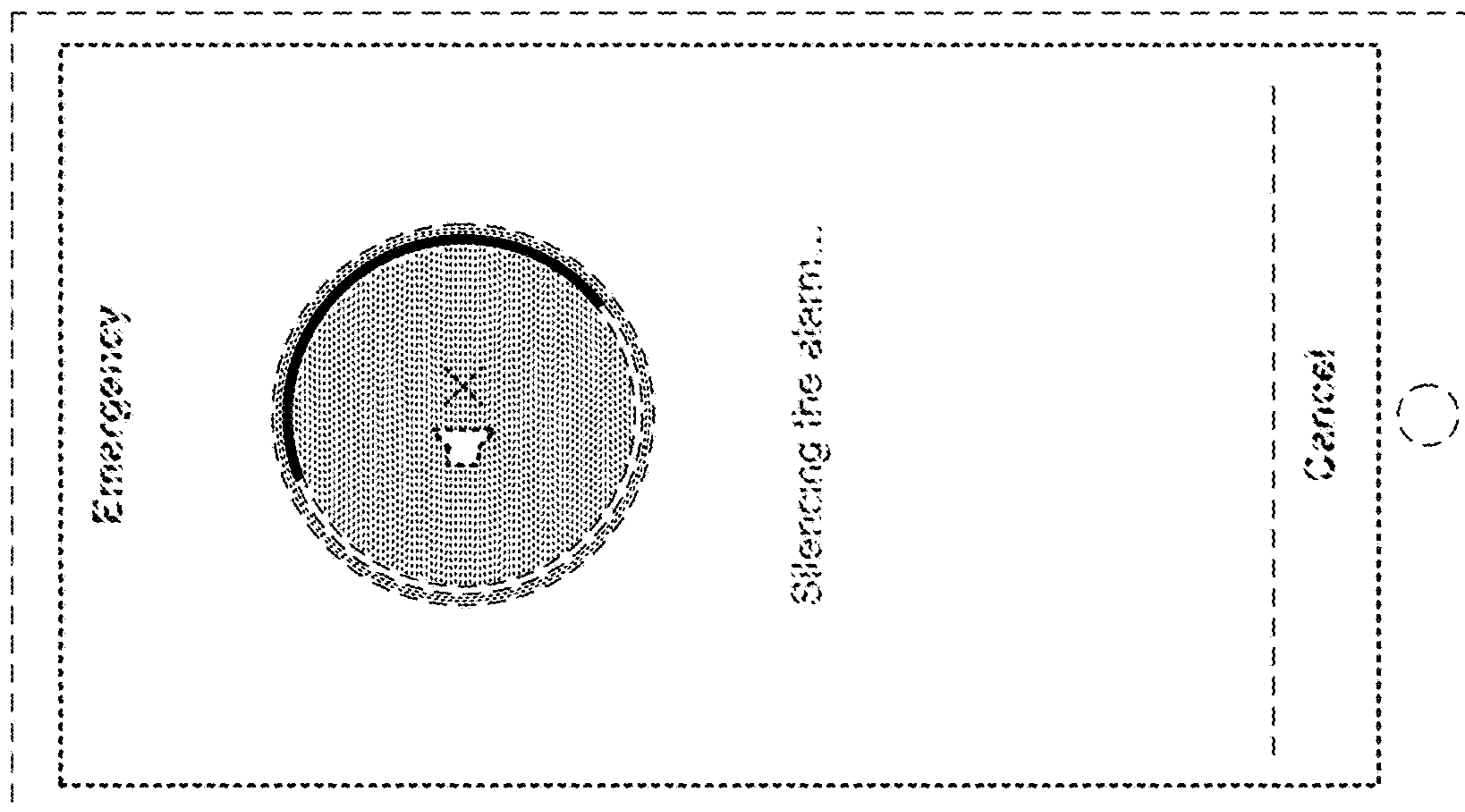


Figure 20

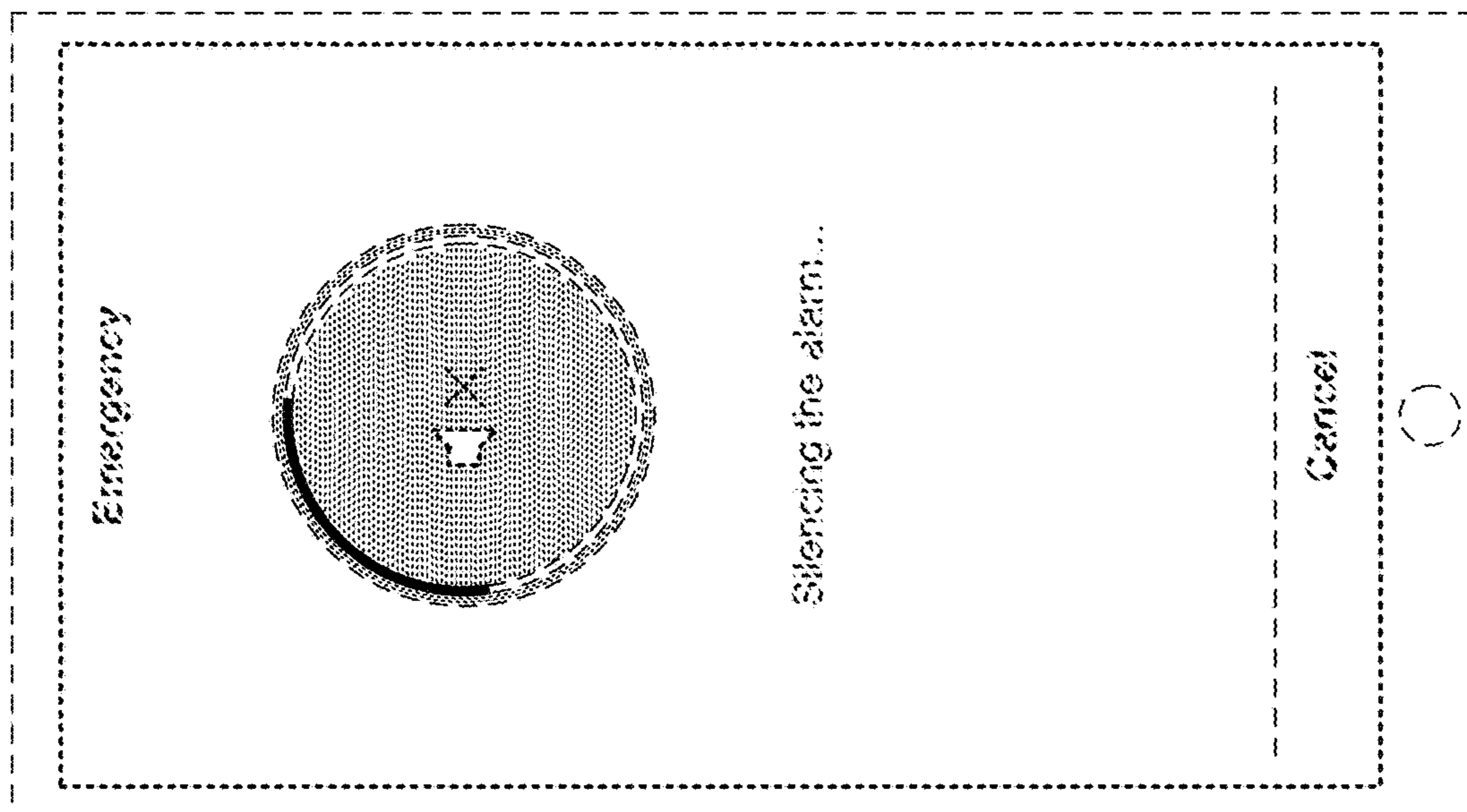


Figure 19

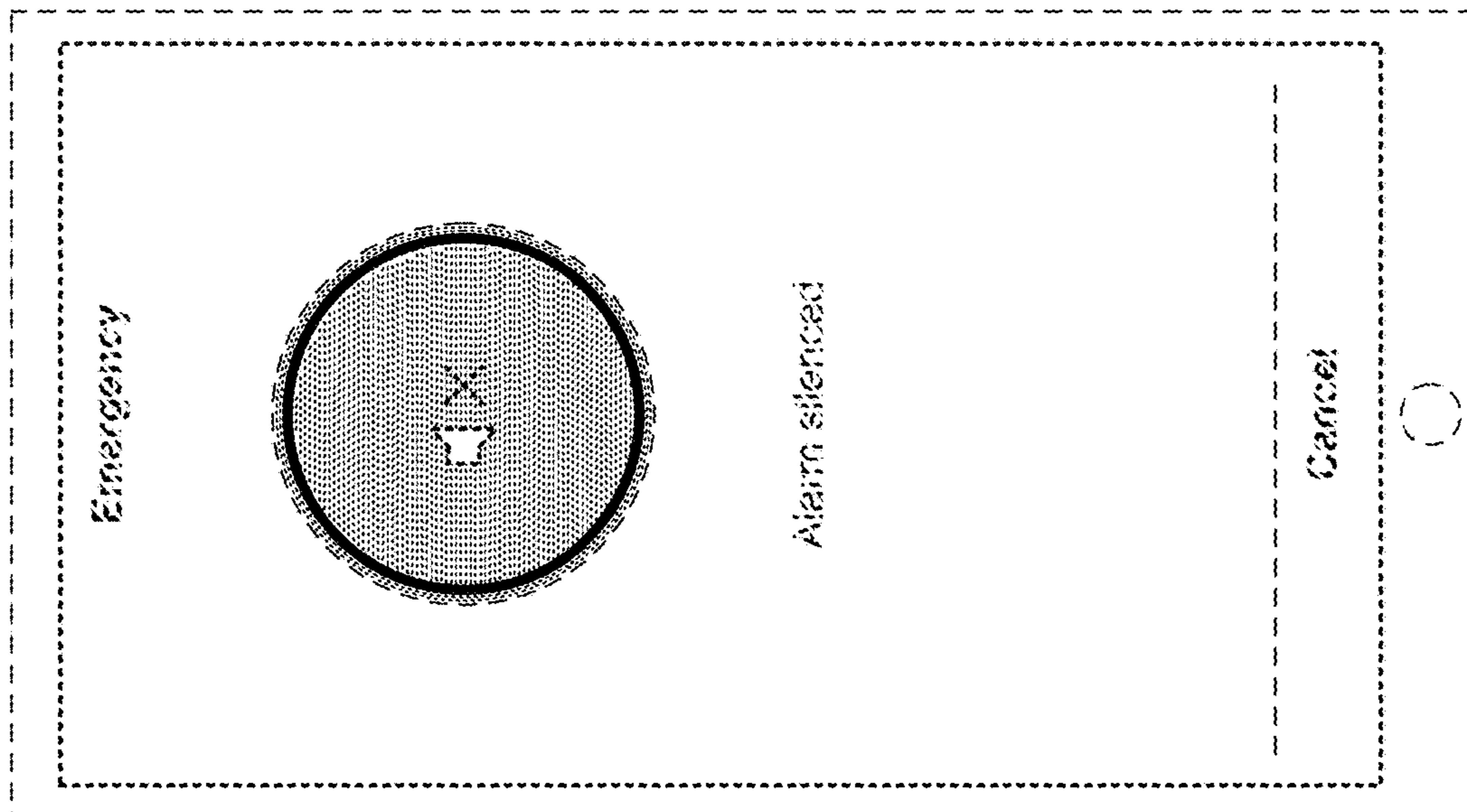


Figure 21

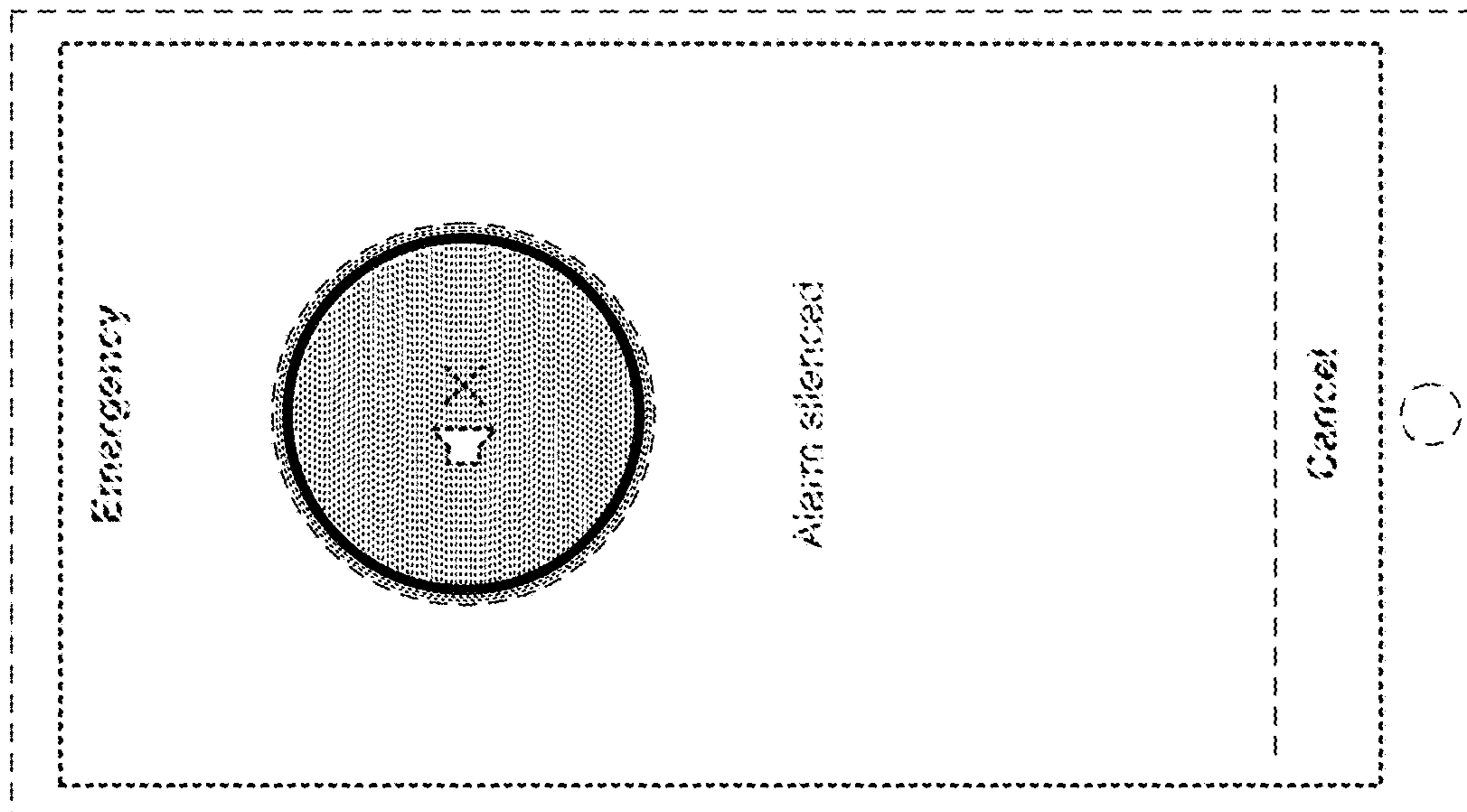


Figure 22

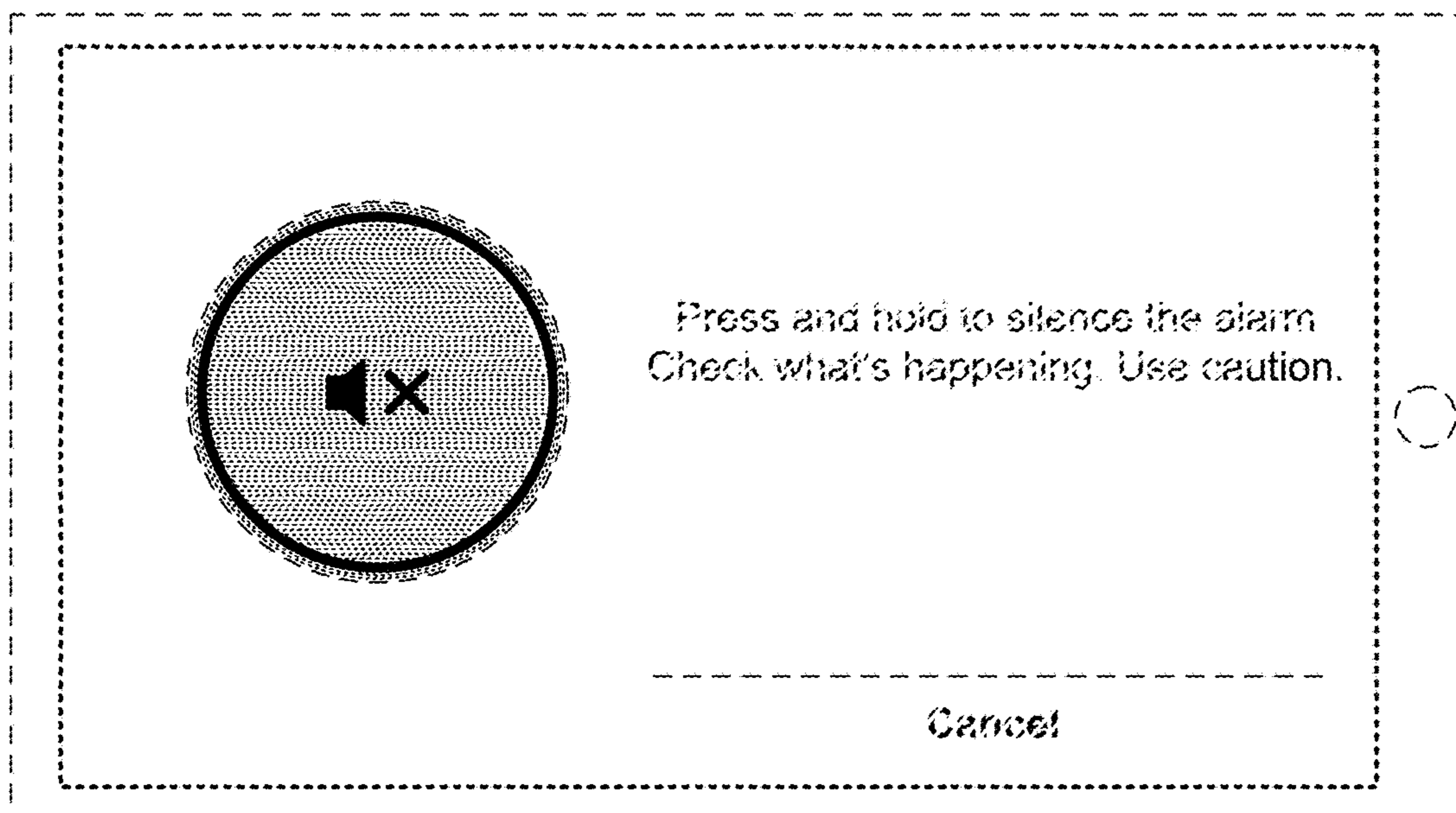


Figure 23

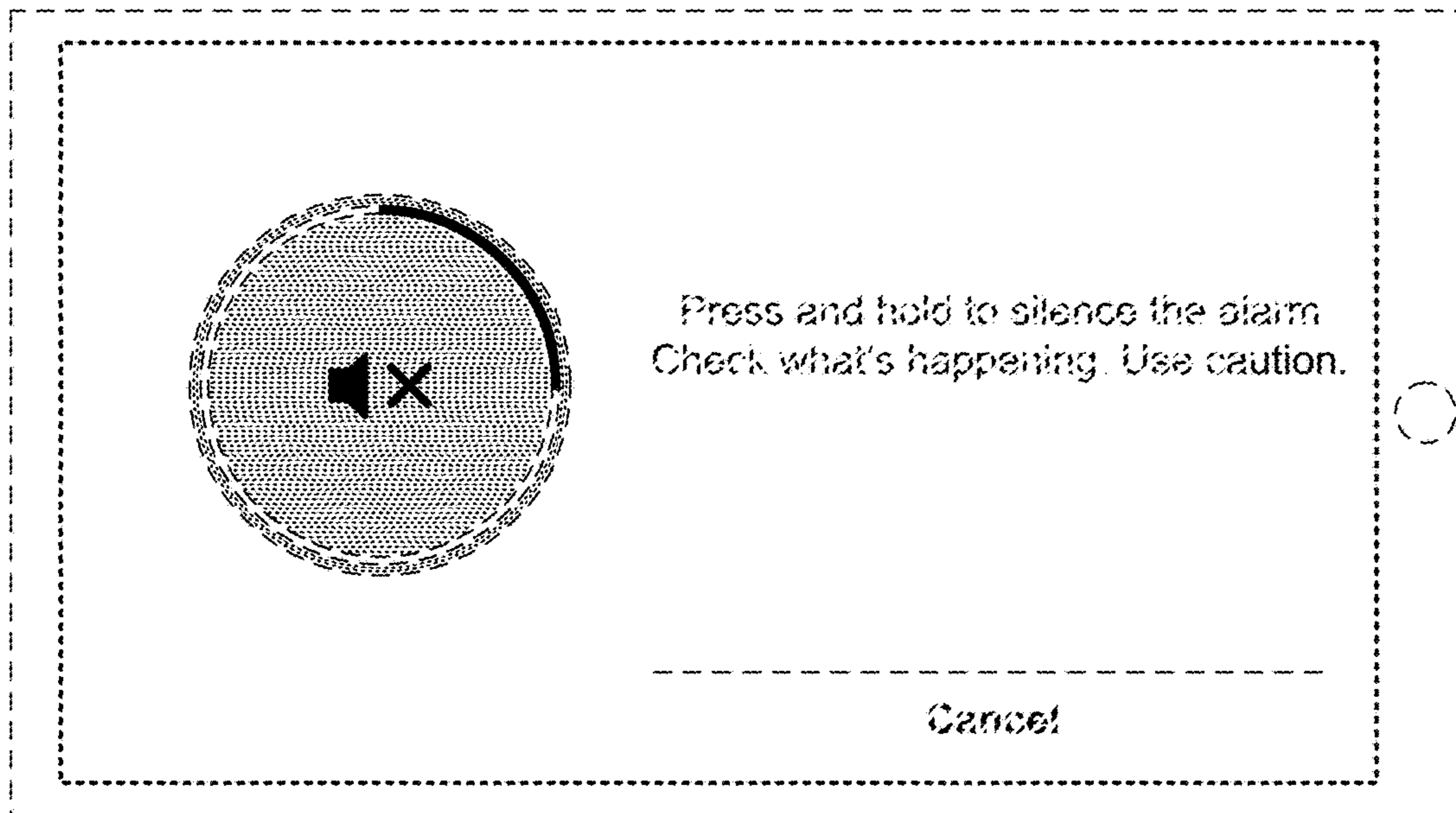


Figure 24

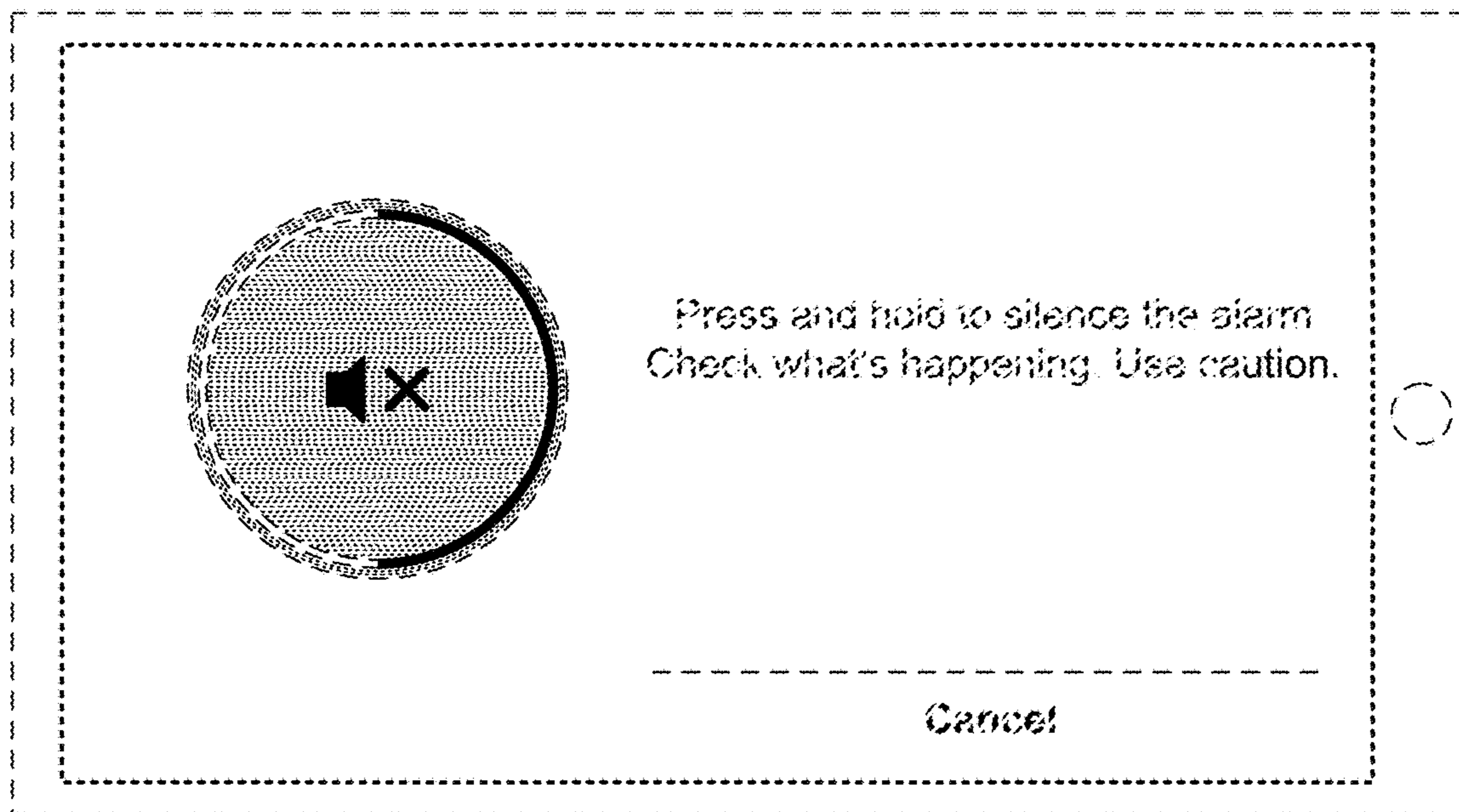


Figure 25

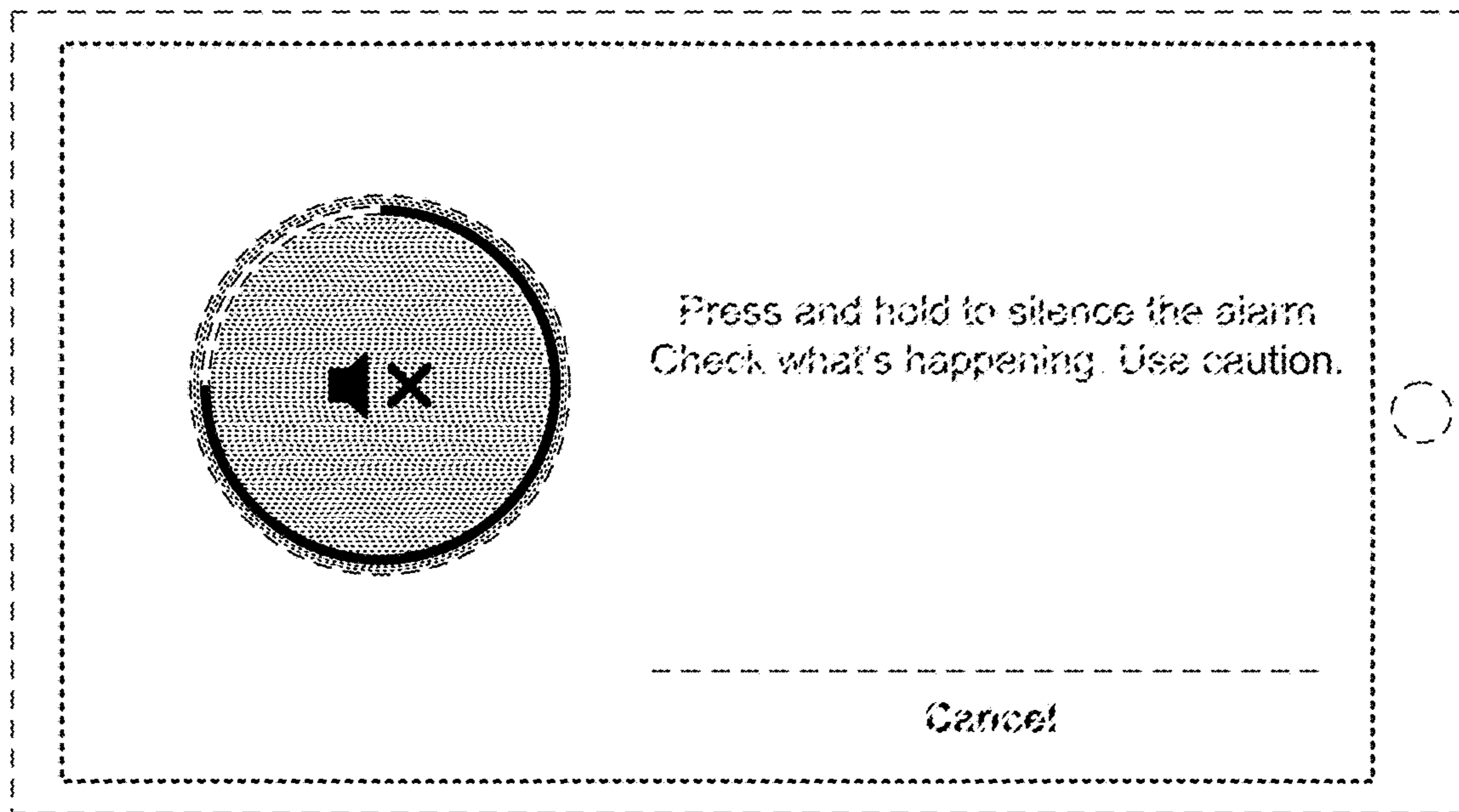


Figure 26

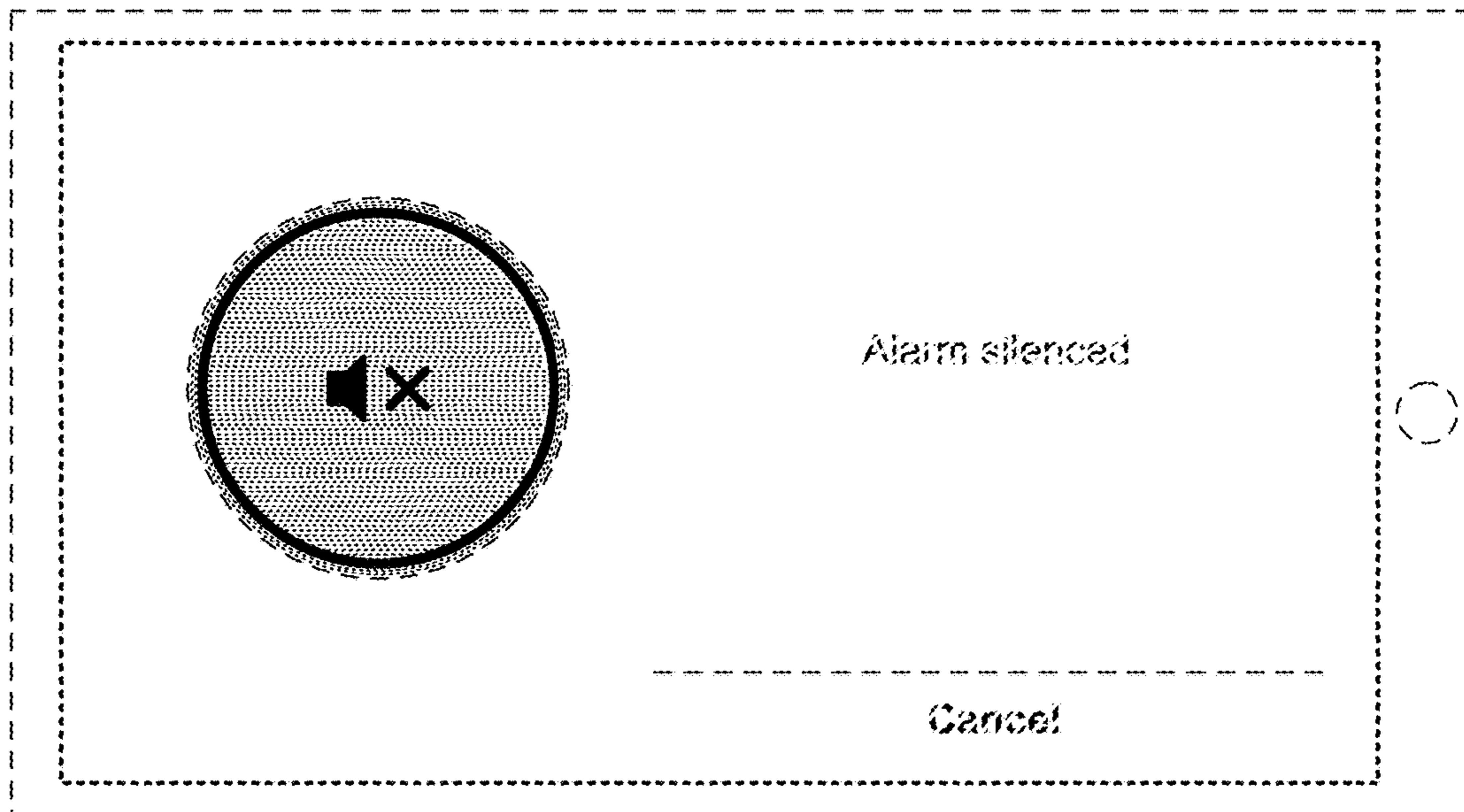


Figure 27

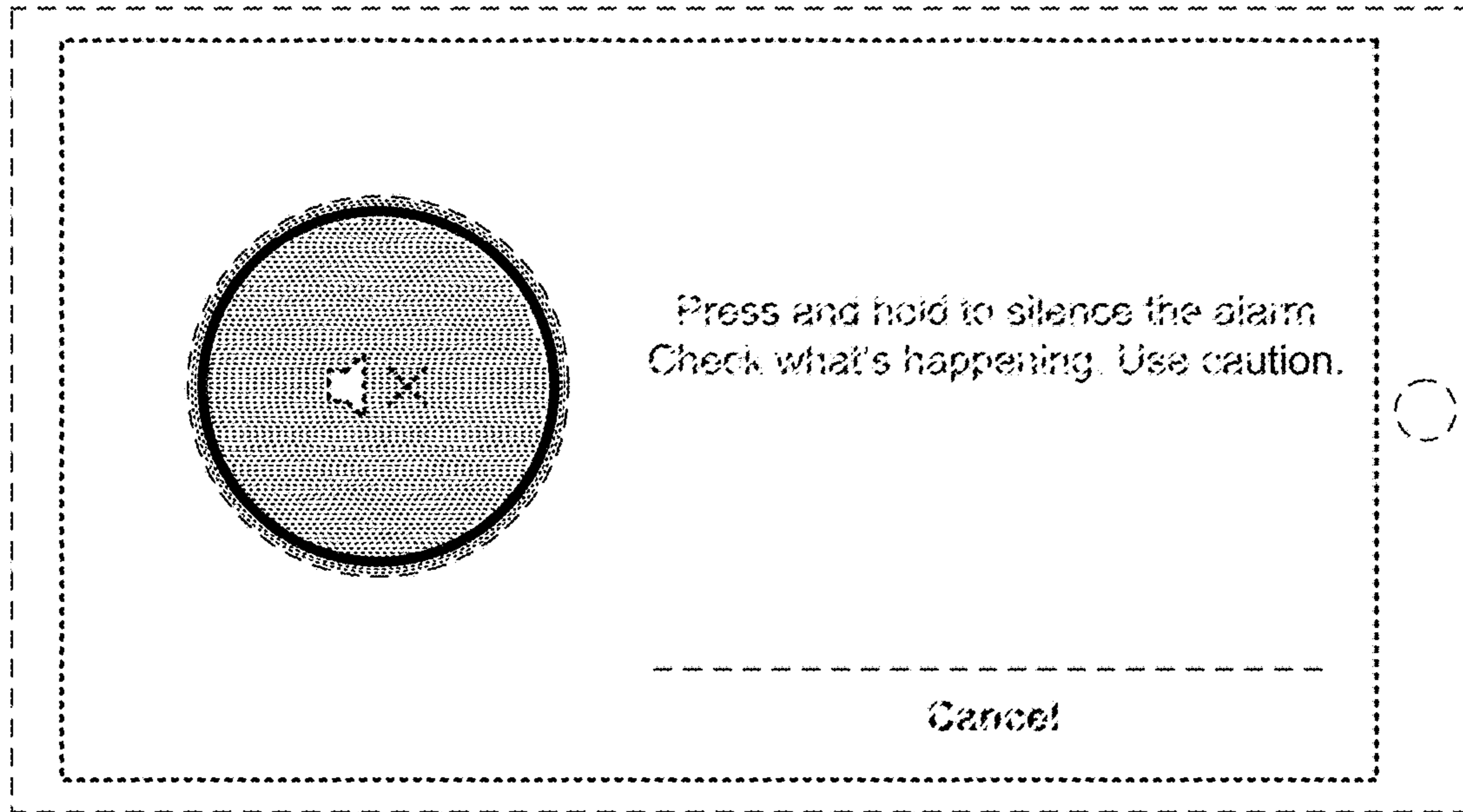


Figure 28

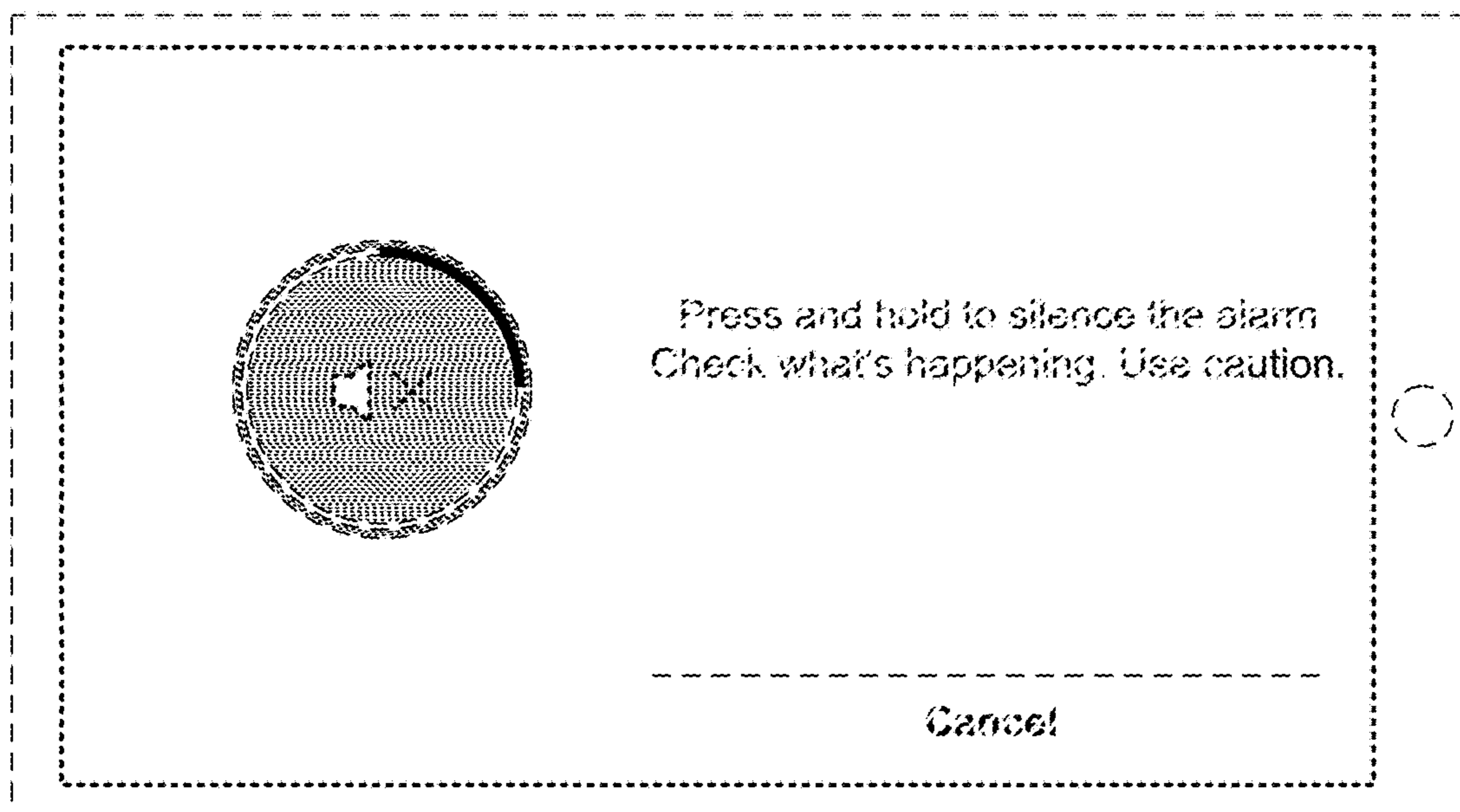


Figure 29

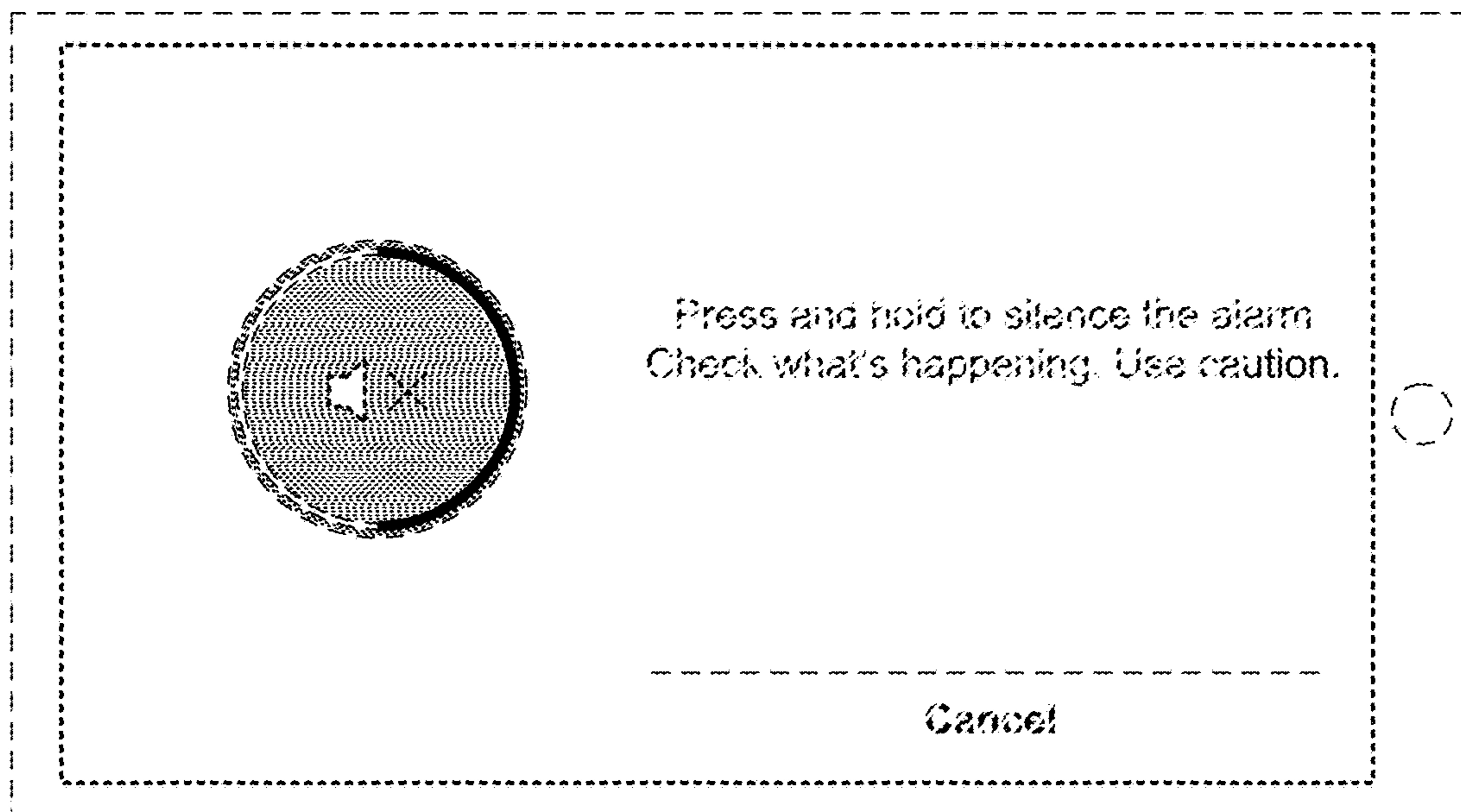


Figure 30

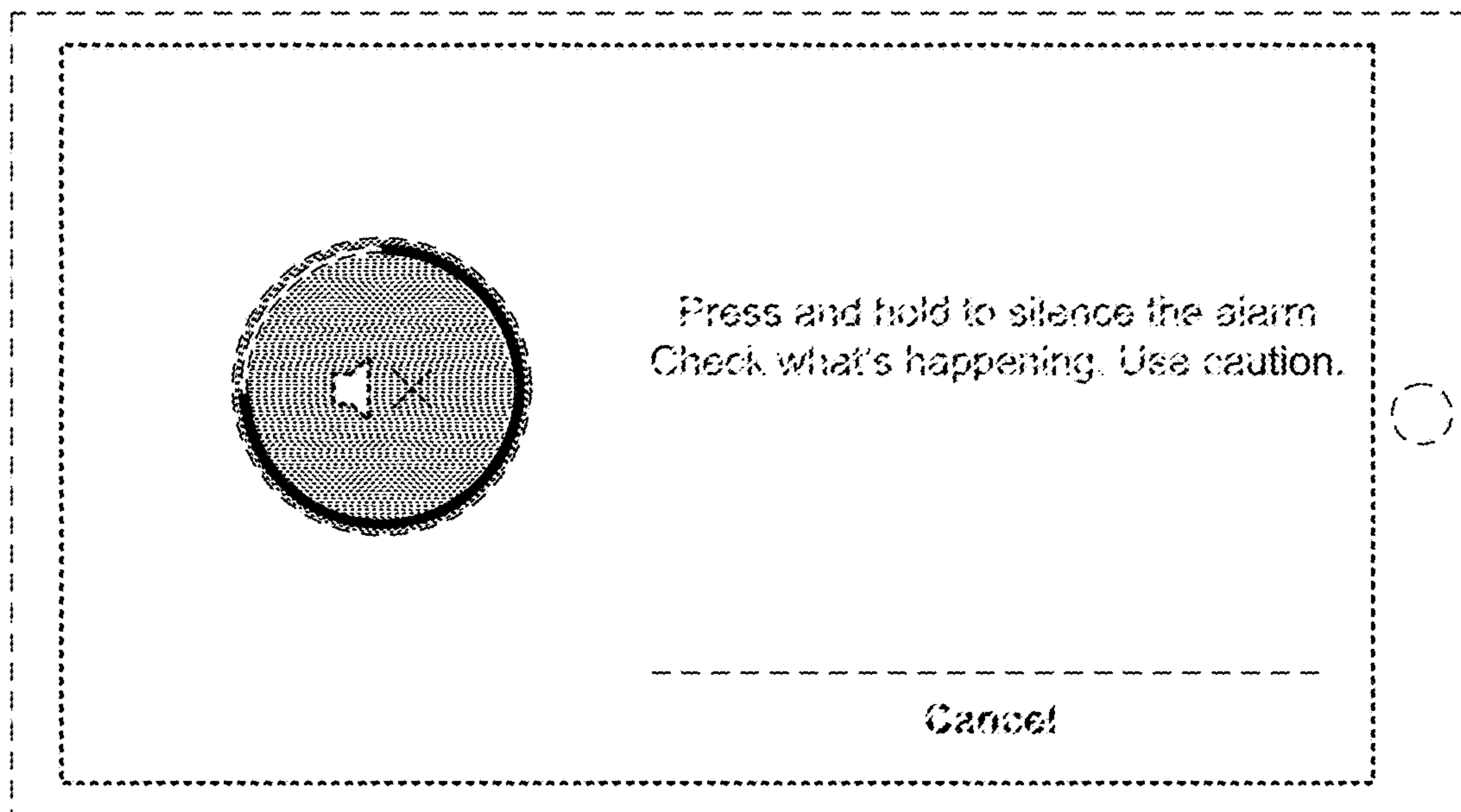


Figure 31

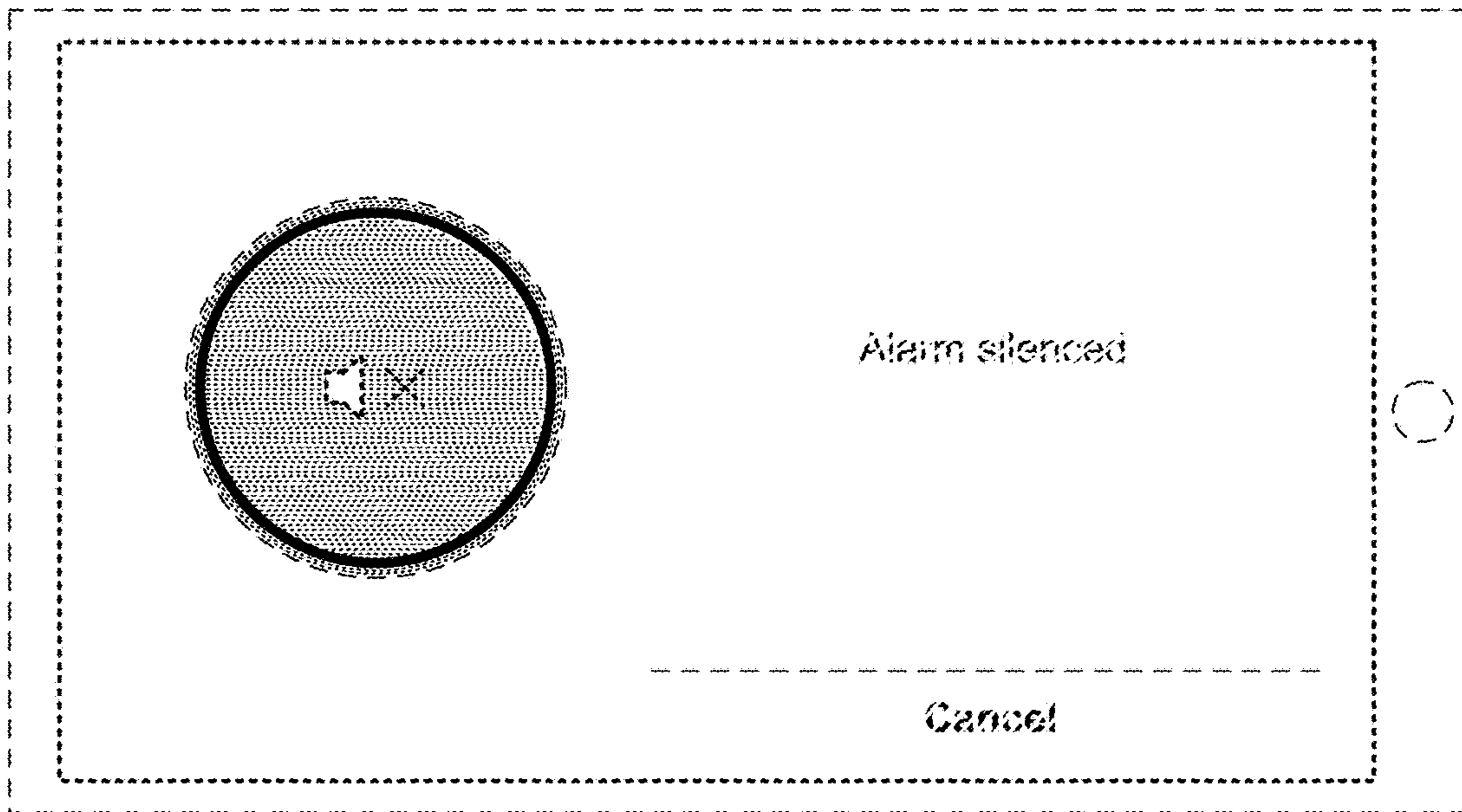


Figure 32

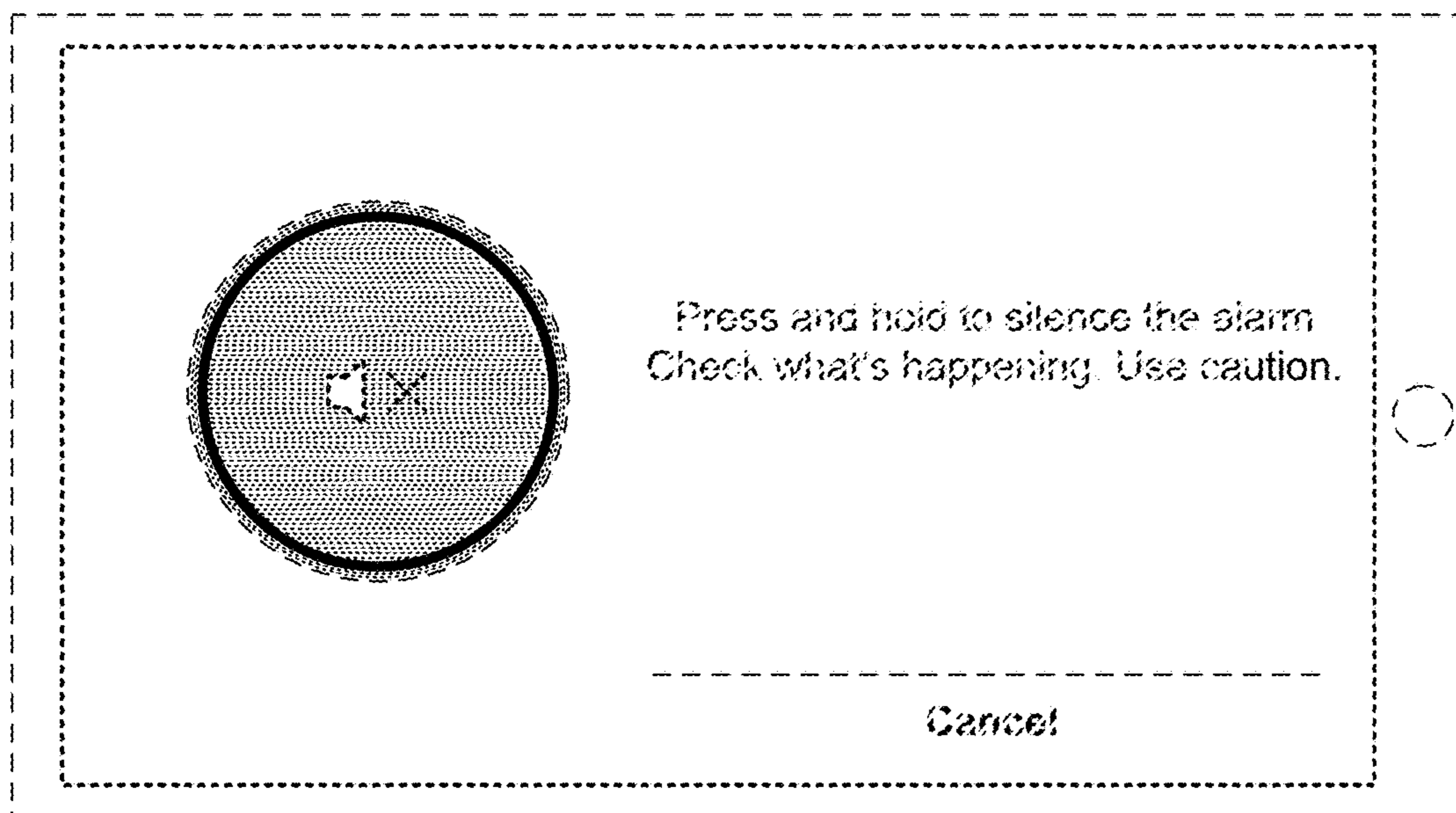


Figure 33

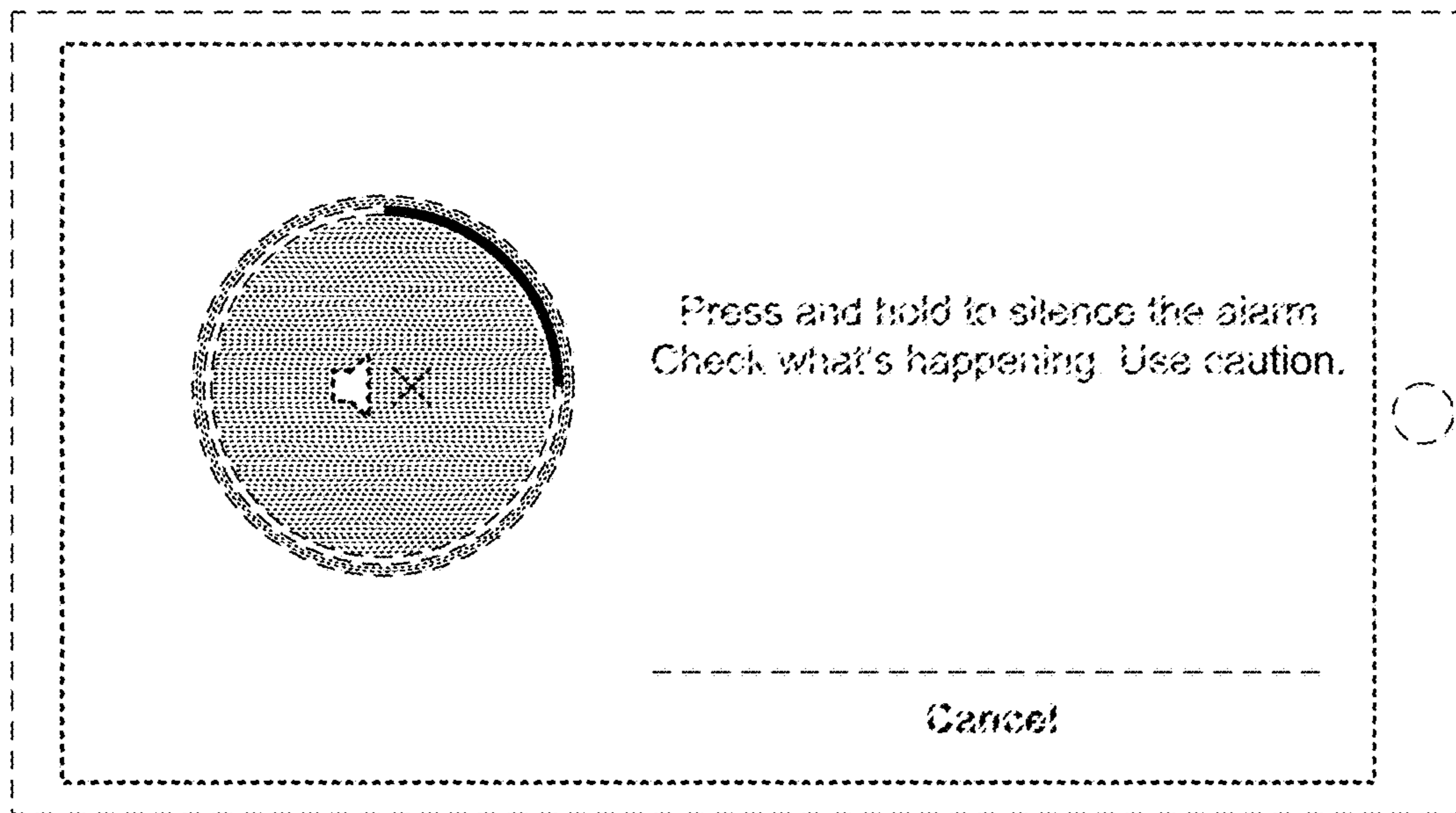


Figure 34

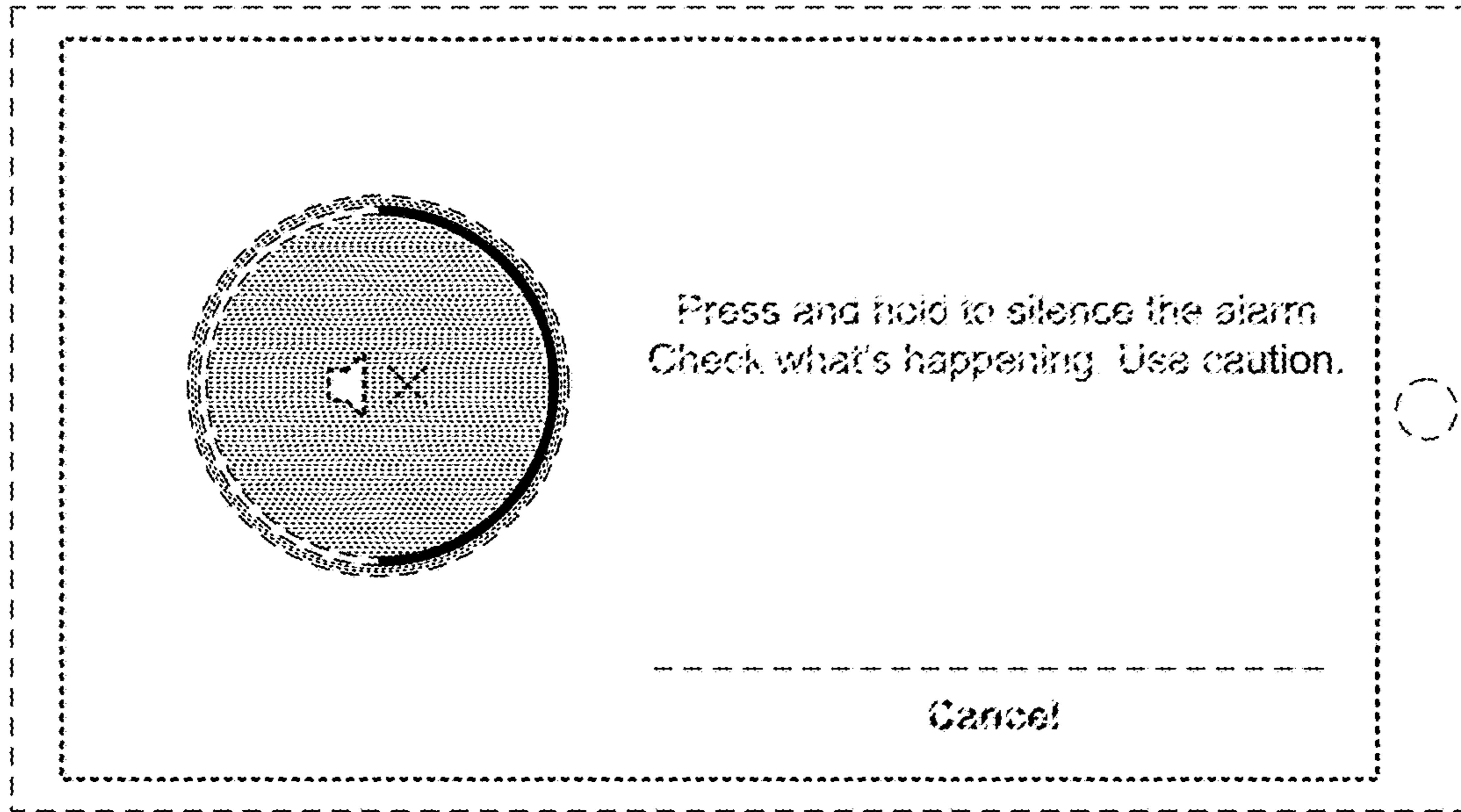


Figure 35

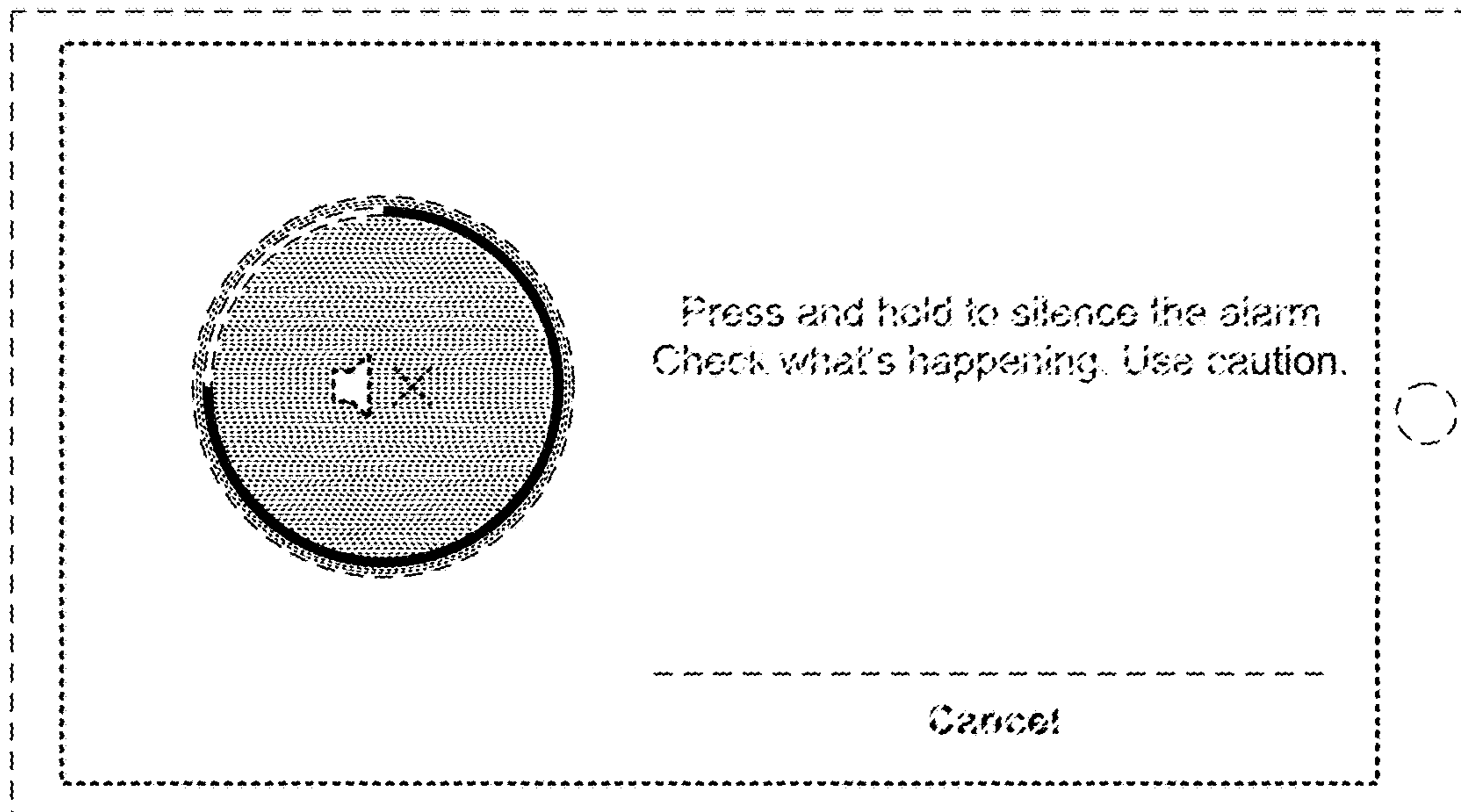


Figure 36

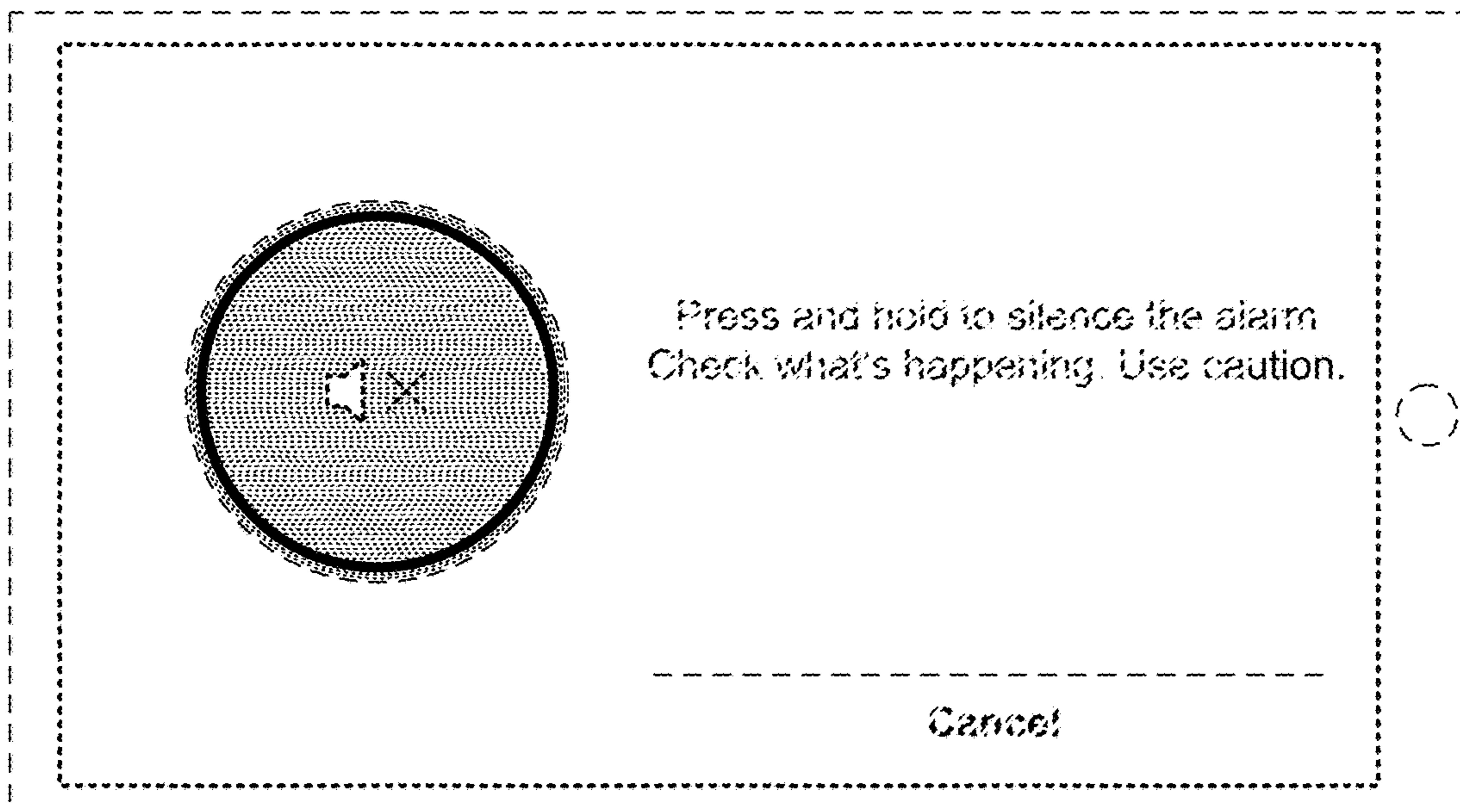


Figure 37

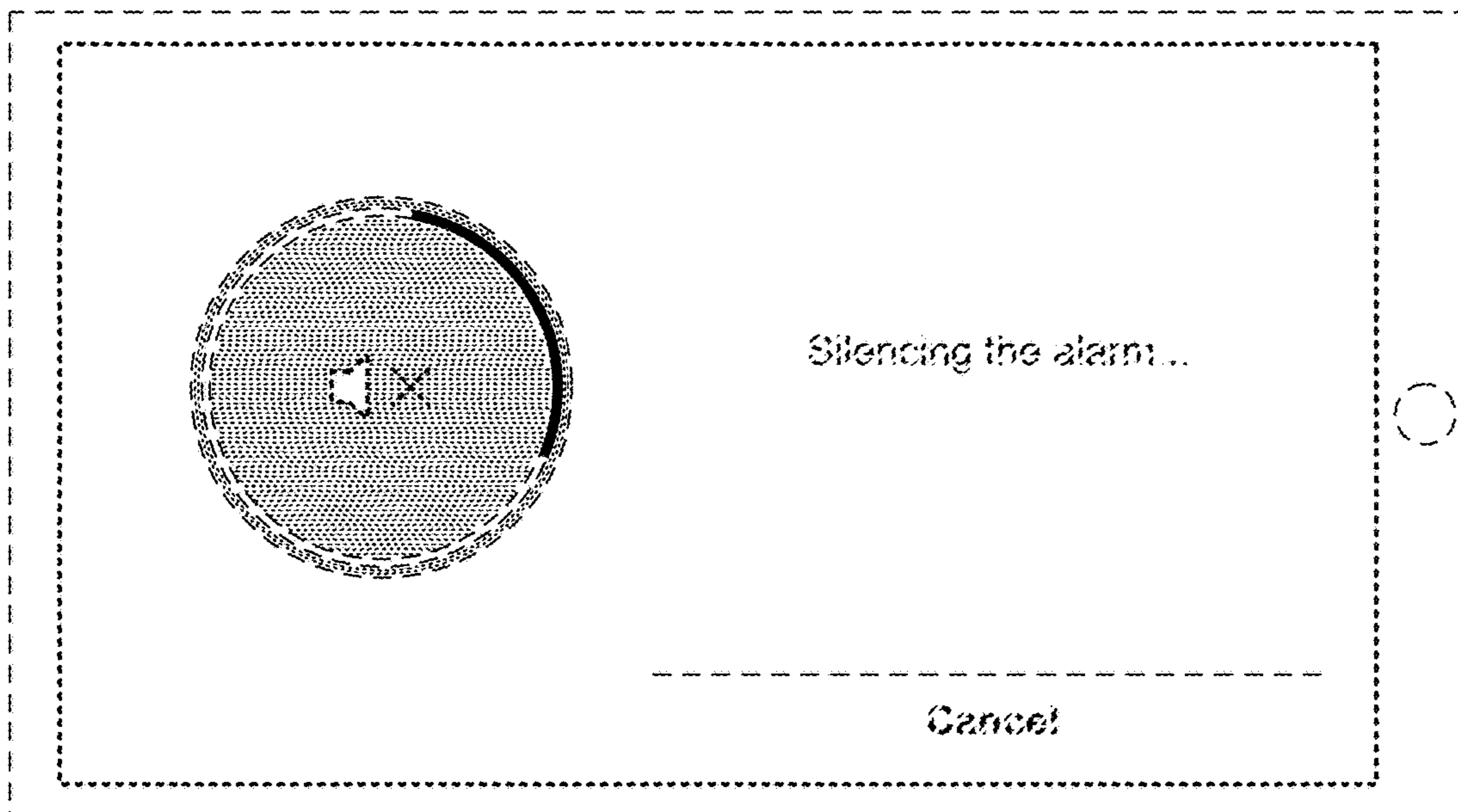


Figure 38

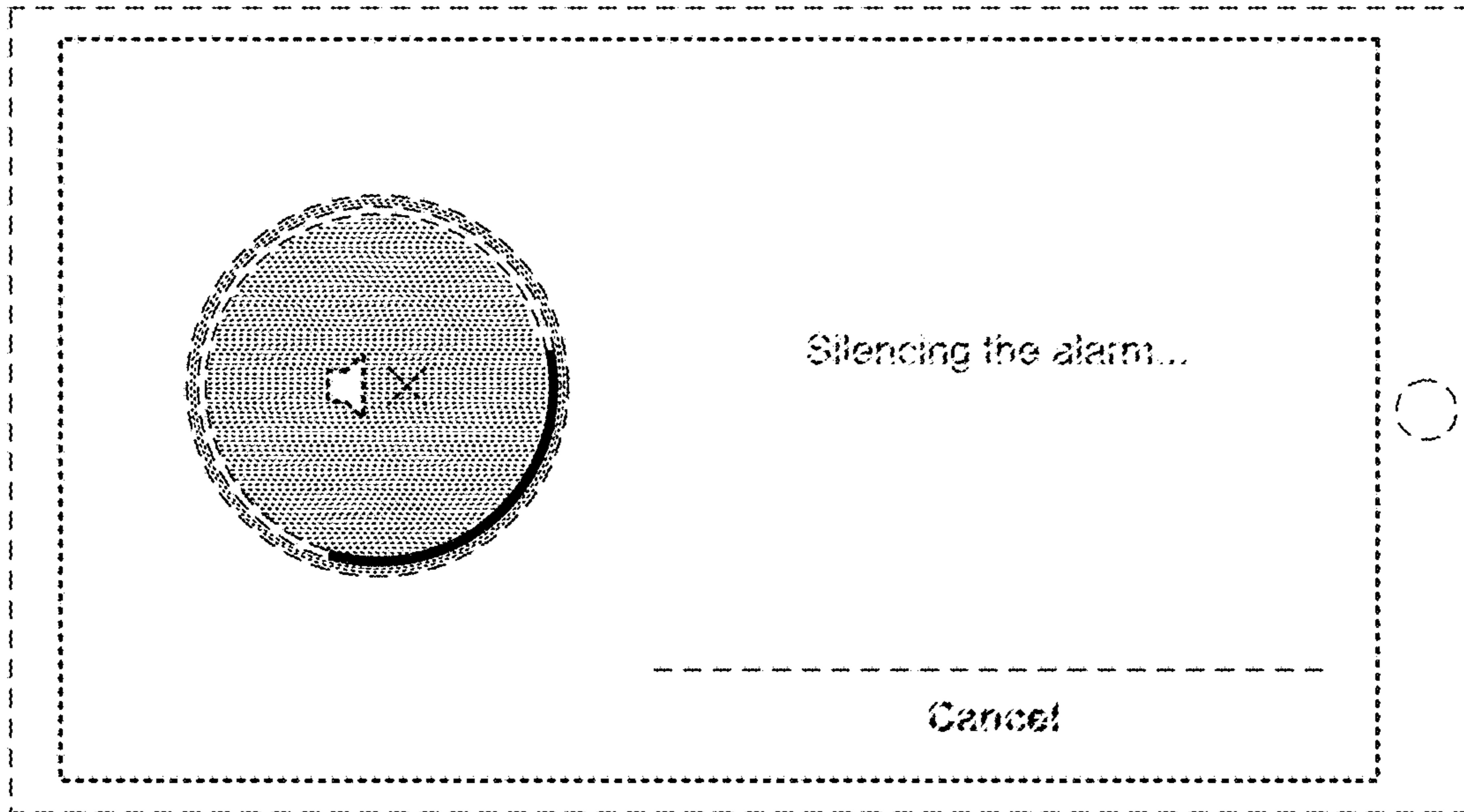


Figure 39

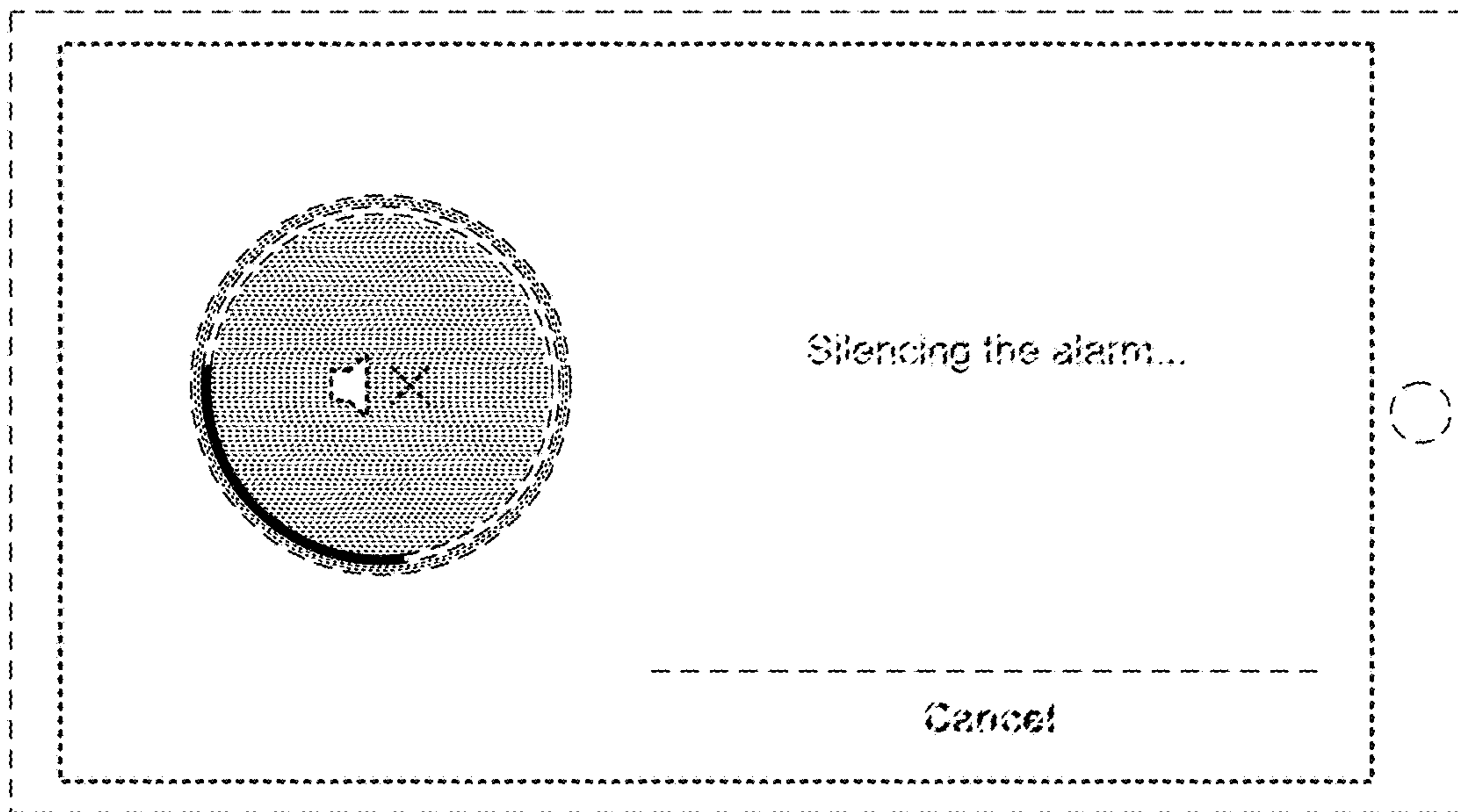


Figure 40

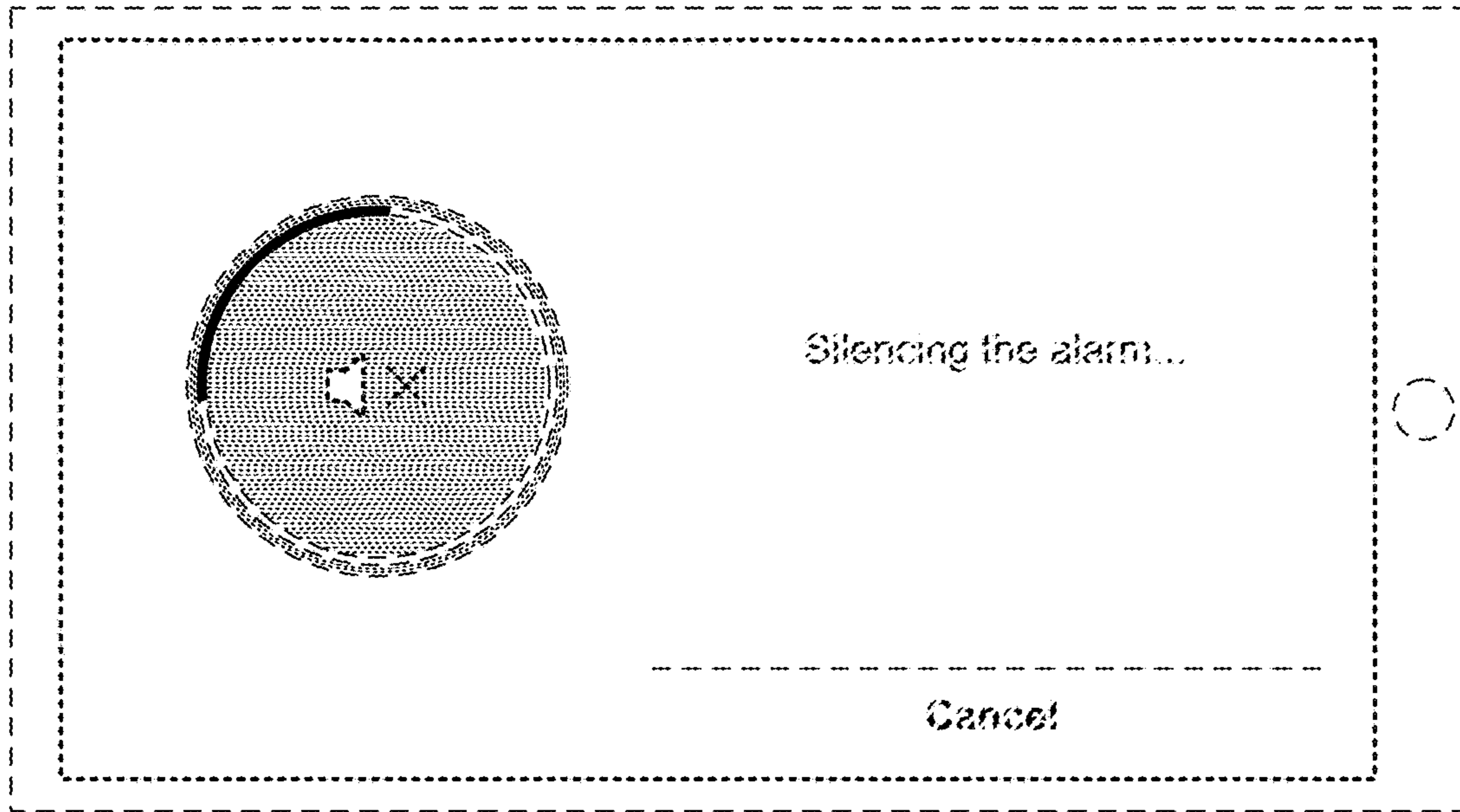


Figure 41

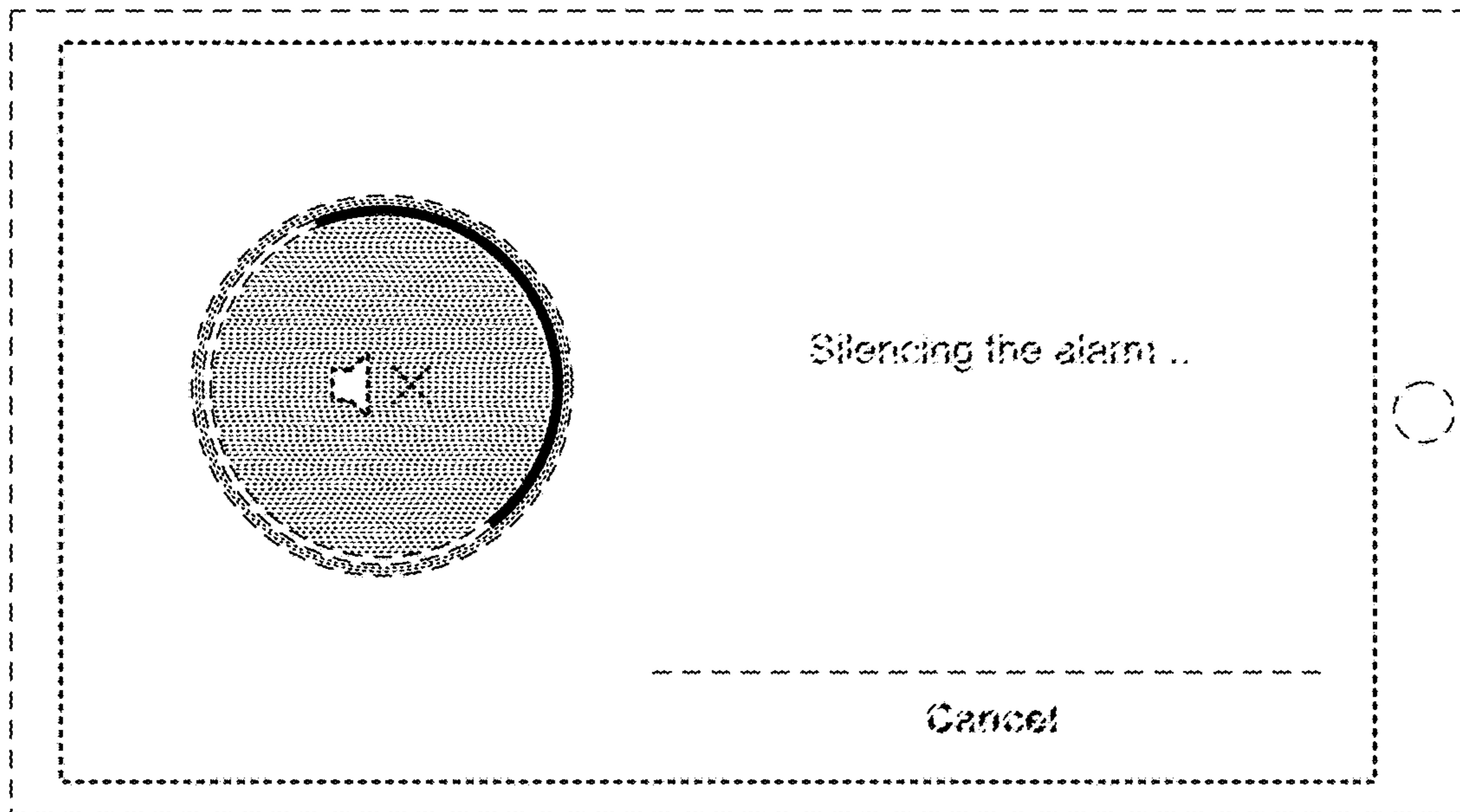


Figure 42

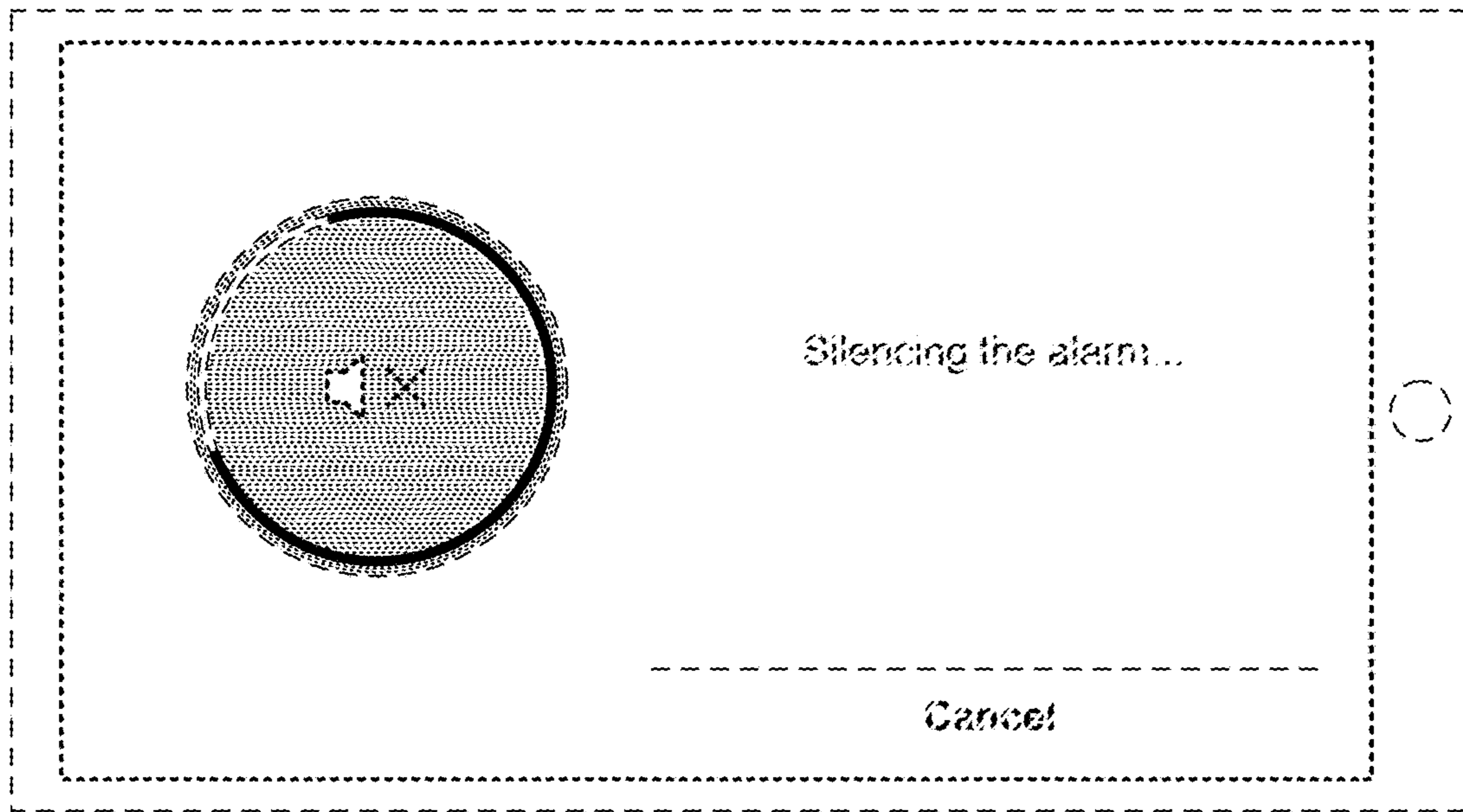


Figure 43

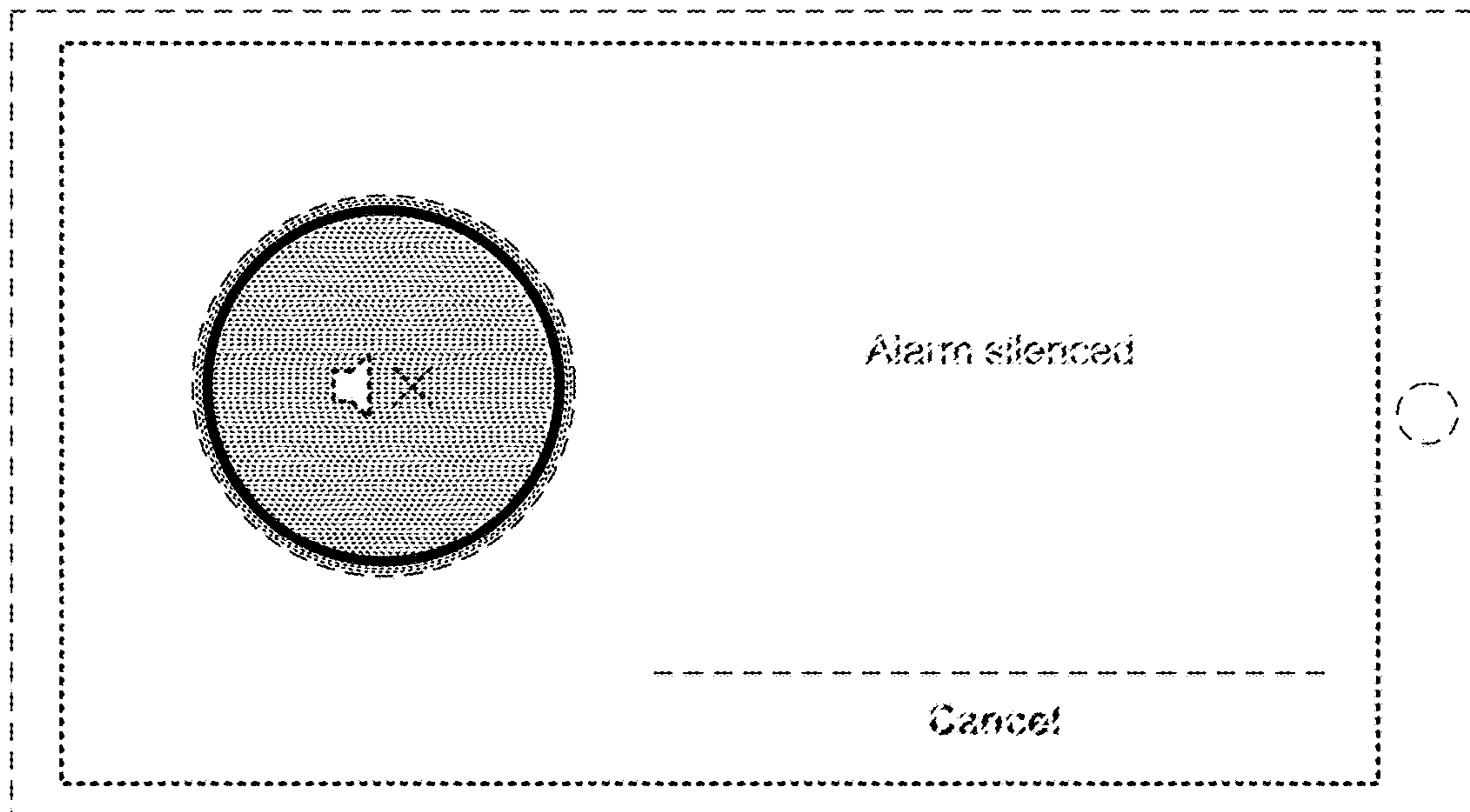


Figure 44