



US00D803222S

(12) **United States Design Patent** (10) **Patent No.:** **US D803,222 S**
Cheng (45) **Date of Patent:** **** Nov. 21, 2017**

(54) **CASE FOR ELECTRONIC DEVICE WITH ROTATABLE AND ADJUSTABLE KICKSTAND**

(71) Applicant: **Fintie LLC**, Hilliard, OH (US)

(72) Inventor: **Nai Chu Cheng**, Hilliard, OH (US)

(73) Assignee: **FINTIE LLC**, Hilliard, OH (US)

(**) Term: **15 Years**

(21) Appl. No.: **29/611,861**

(22) Filed: **Jul. 26, 2017**

(51) **LOC (10) Cl.** **14-02**

(52) **U.S. Cl.**
 USPC **D14/440**

(58) **Field of Classification Search**
 USPC D14/440, 250, 447, 433, 434; 206/45.23,
 206/320, 45.2; 361/679.55; 294/25;
 224/218

(Continued)

(56) **References Cited**

U.S. PATENT DOCUMENTS

D611,253 S * 3/2010 Lown D3/301
 D645,251 S * 9/2011 Lee D3/301

(Continued)

Primary Examiner — Cynthia Underwood

(74) *Attorney, Agent, or Firm* — Standley Law Group LLP

(57) **CLAIM**

The ornamental design for a case for electronic device with rotatable and adjustable kickstand, as shown and described.

DESCRIPTION

FIG. 1 is a front perspective view of a first embodiment of a case for electronic device with rotatable and adjustable kickstand shown in a first configuration;

FIG. 2 is a front elevation view of the FIG. 1 device in the first configuration;

FIG. 3 is a rear elevation view of the FIG. 1 device in the first configuration;

FIG. 4 is a right-side elevation view of the FIG. 1 device in the first configuration;

FIG. 5 is a left-side elevation view of the FIG. 1 device in the first configuration;

FIG. 6 is a top plan view of the FIG. 1 device in the first configuration;

FIG. 7 is a bottom plan view of the FIG. 1 device in the first configuration;

FIG. 8 is a rear perspective view of the FIG. 1 device in the first configuration;

FIG. 9 is a rear elevation view of a second embodiment of a case for electronic device with rotatable and adjustable kickstand shown in the first configuration.

FIG. 10 is a front perspective view of the FIG. 1 device shown in a second configuration where the kickstand is rotated 180 degrees from its position in the first configuration;

FIG. 11 is a right-side elevation view of the FIG. 1 device in the second configuration;

FIG. 12 is a front perspective view of the FIG. 1 device shown in a third configuration where the kickstand is rotated 90 degrees clockwise from its position in the first configuration;

FIG. 13 is a right-side elevation view of the FIG. 1 device in the third configuration;

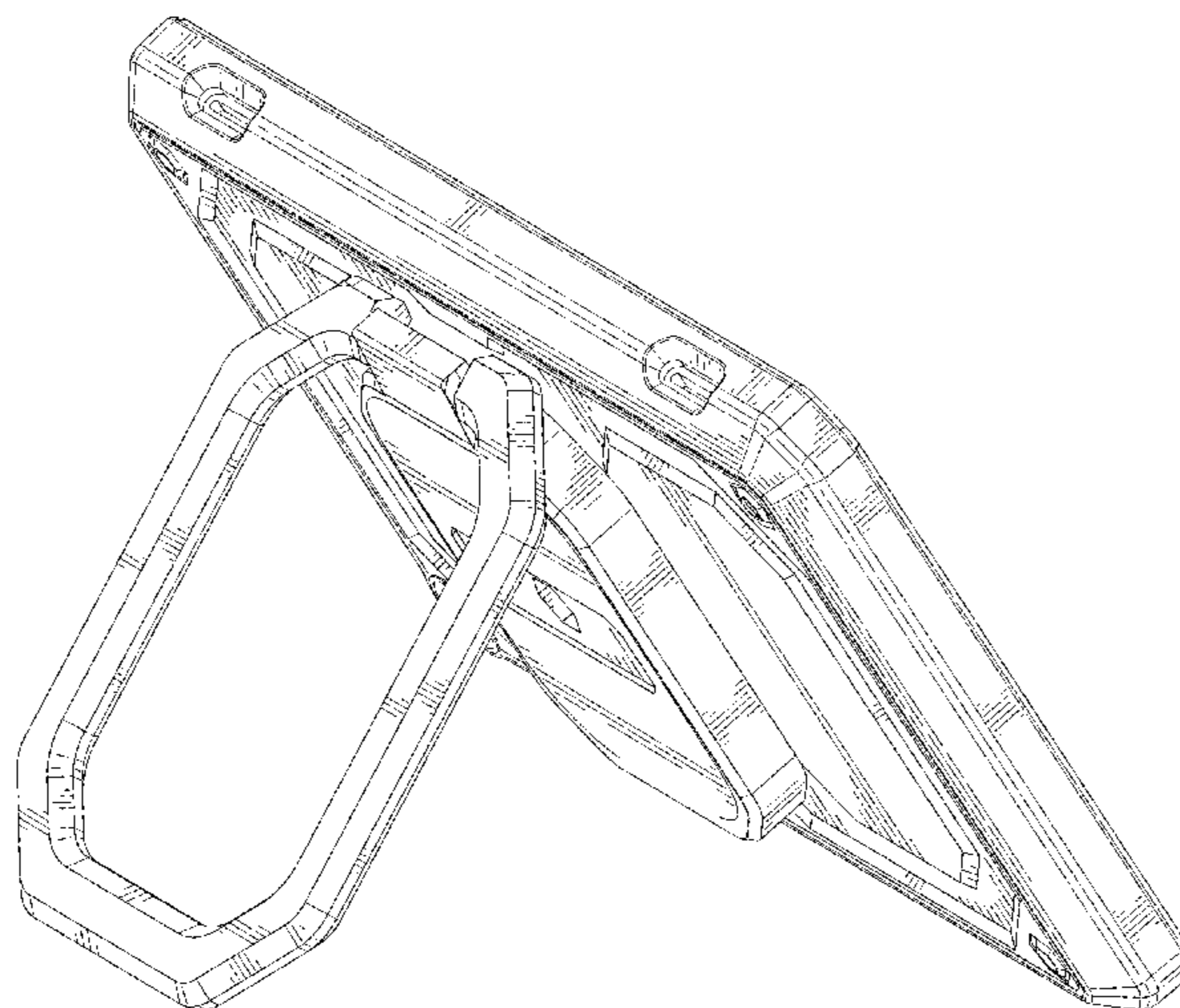
FIG. 14 is a front perspective view of the FIG. 1 device shown in a fourth configuration where the kickstand is rotated 90 degrees clockwise from its position in the first configuration;

FIG. 15 is a right-side elevation view of the FIG. 1 device in the fourth configuration; and,

FIG. 16 is an environmental view of the FIG. 1 device in the fourth configuration, illustrating how they device may be held by a user.

The broken lines represent portions of the structure that forms no part of the claim.

1 Claim, 16 Drawing Sheets



(58) **Field of Classification Search**

CPC ... G06F 1/1628; G06F 1/1626; A47B 23/044;
H04B 1/3888

See application file for complete search history.

(56) **References Cited**

U.S. PATENT DOCUMENTS

D668,661	S	*	10/2012	Norfolk	D14/440
D672,353	S	*	12/2012	Liu	D14/440
D676,448	S	*	2/2013	Gorman	D14/440
D681,951	S	*	5/2013	Phillips	D3/299
D689,056	S	*	9/2013	Li	D14/440
D690,704	S	*	10/2013	Padilla	D14/440
D691,144	S	*	10/2013	Peters	D14/440
D694,246	S	*	11/2013	Park	D14/440
D696,864	S	*	1/2014	Phillips	D3/299
D703,672	S	*	4/2014	Kim	D14/440
D709,509	S	*	7/2014	Kim	D14/440
D712,412	S	*	9/2014	Bleau	D14/440
D715,052	S	*	10/2014	Fair	D3/301
D727,917	S	*	4/2015	Yeo	D14/440
D729,252	S	*	5/2015	Smith	D14/440
D743,170	S	*	11/2015	Akana	D3/299
D752,052	S	*	3/2016	Park	D14/440
D784,350	S	*	4/2017	Li	D14/440
2010/0230301	A1	*	9/2010	Fellig	H04B 1/3888 206/232
2012/0194448	A1	*	8/2012	Rothkopf	A45C 13/002 345/173

* cited by examiner

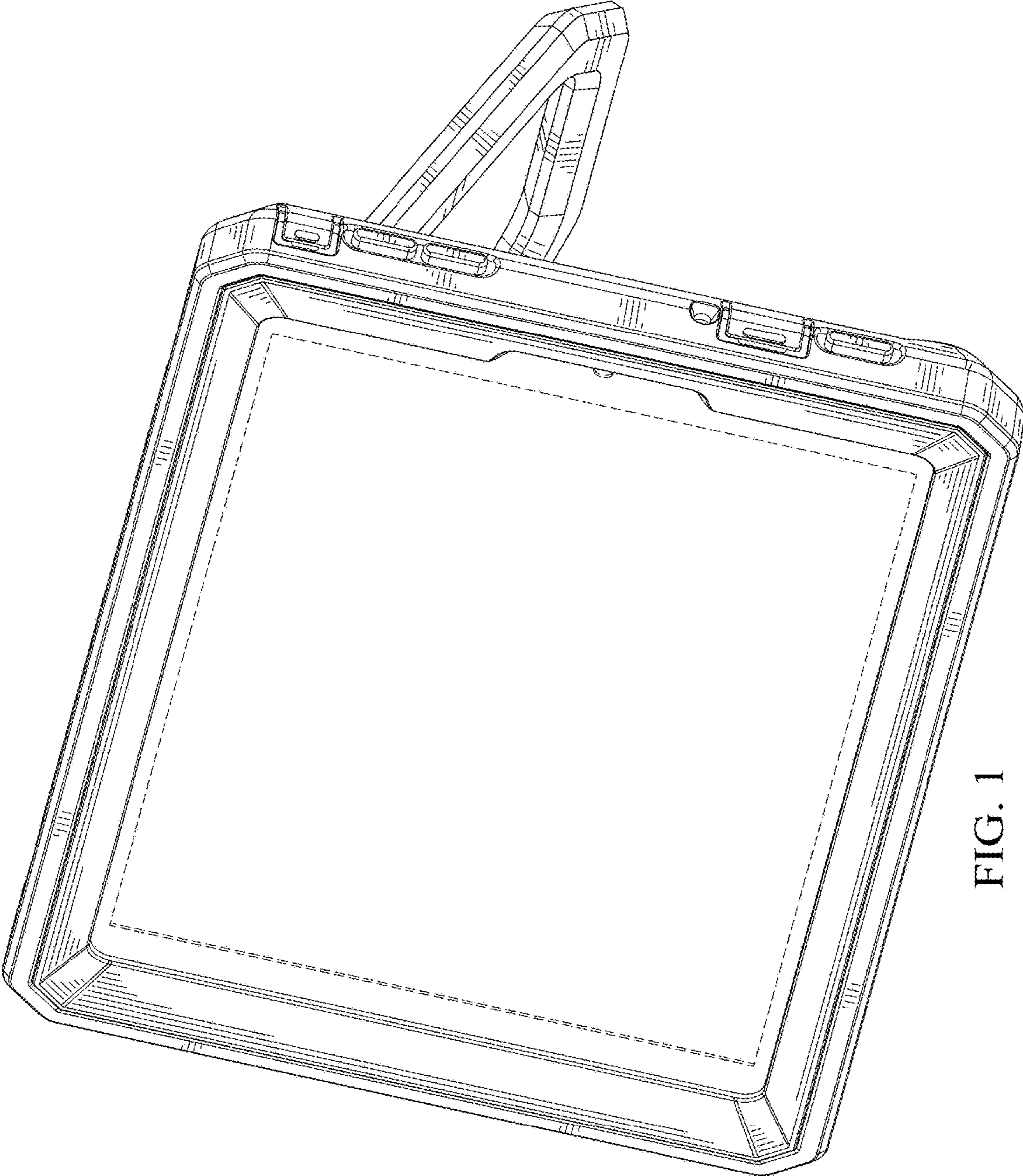


FIG. 1

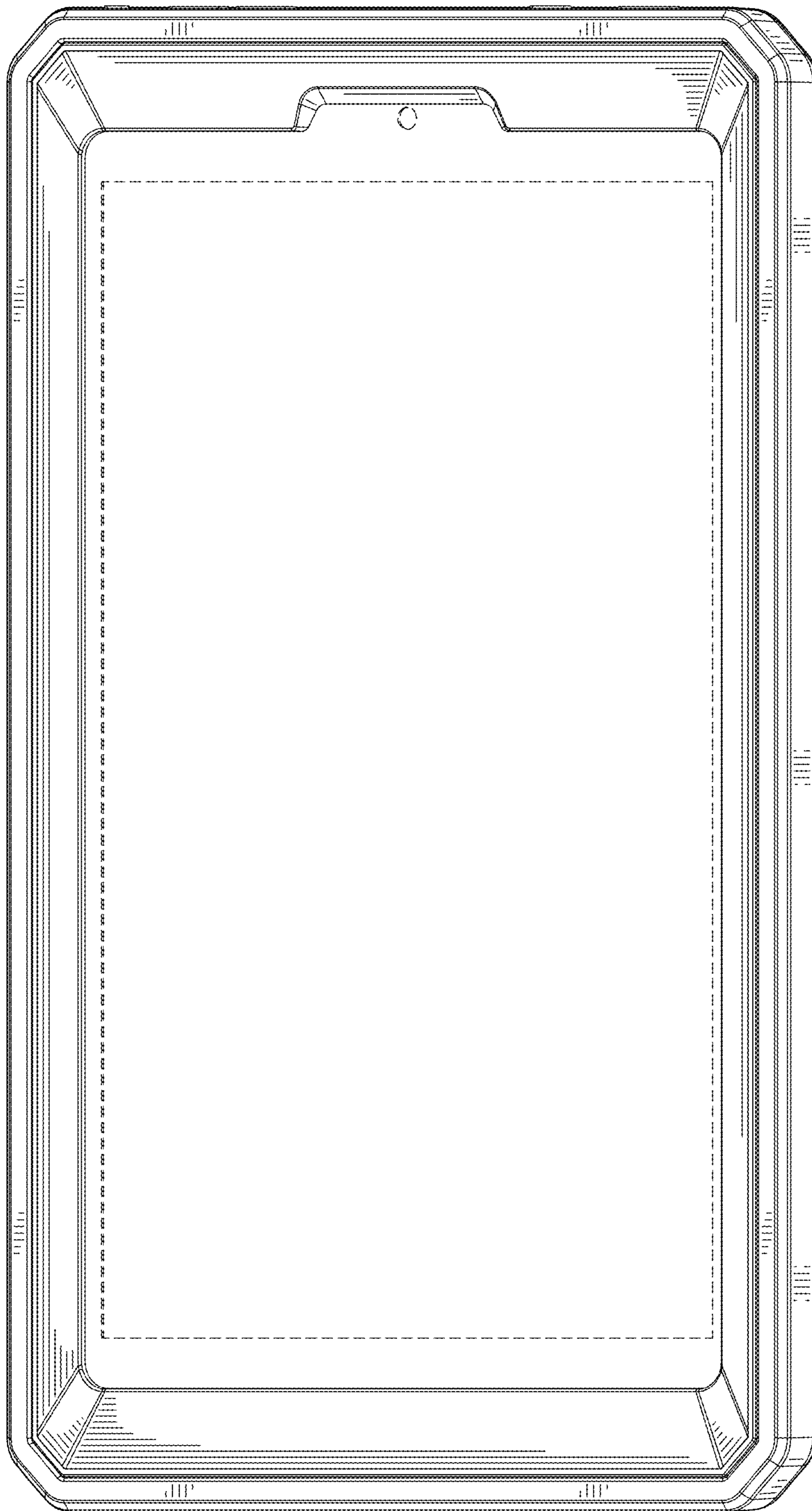


FIG. 2

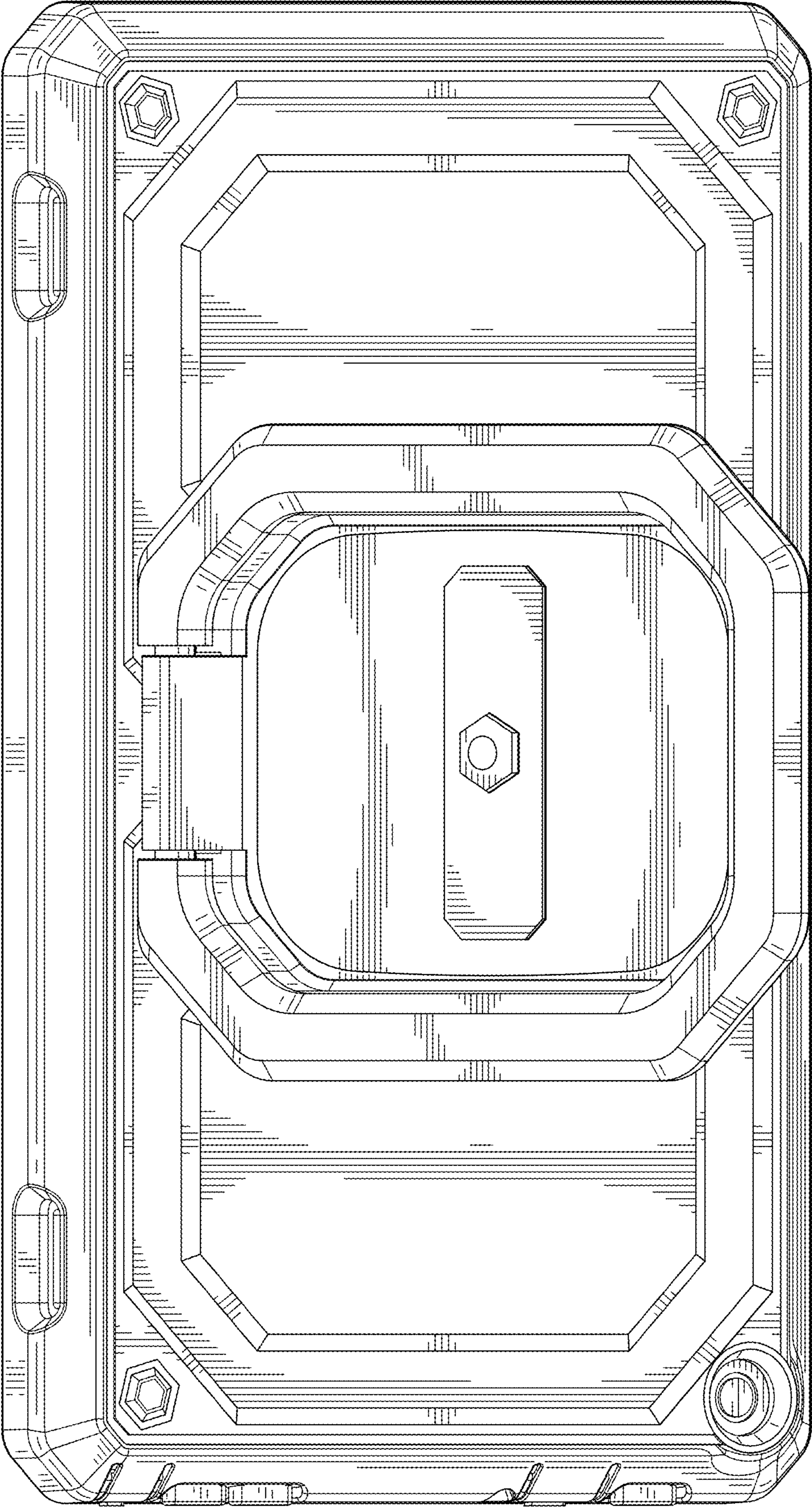


FIG. 3

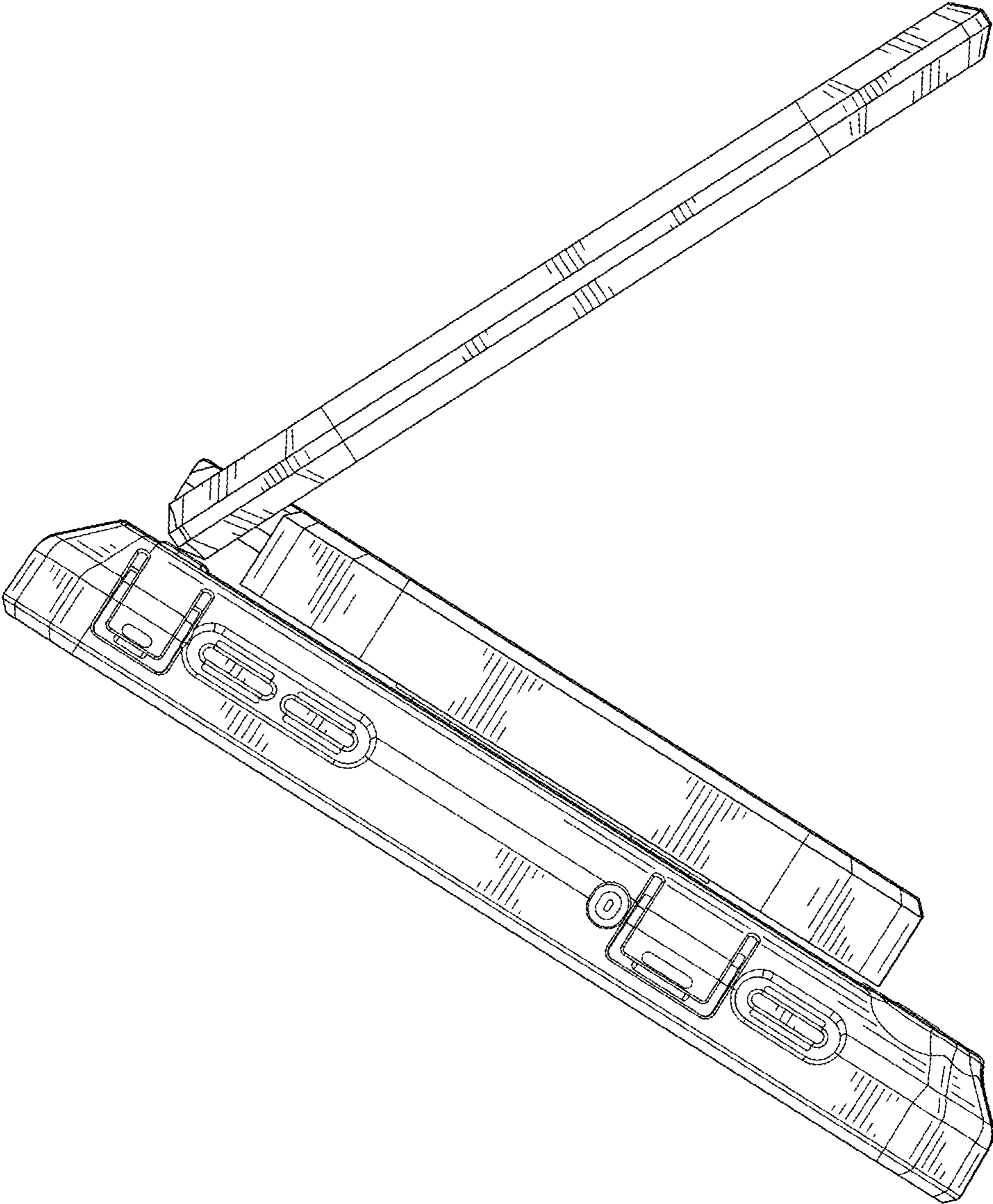


FIG. 4

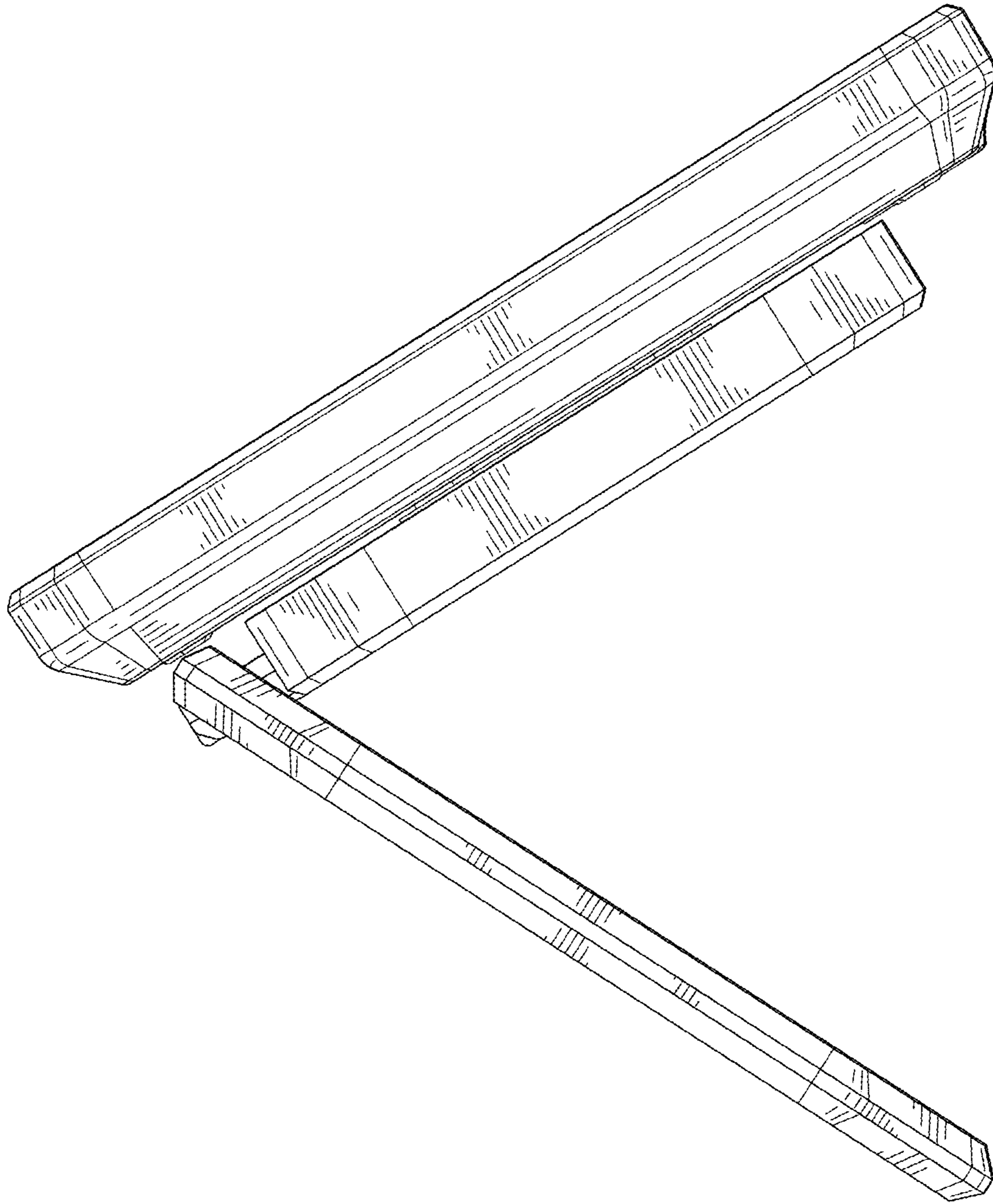


FIG. 5

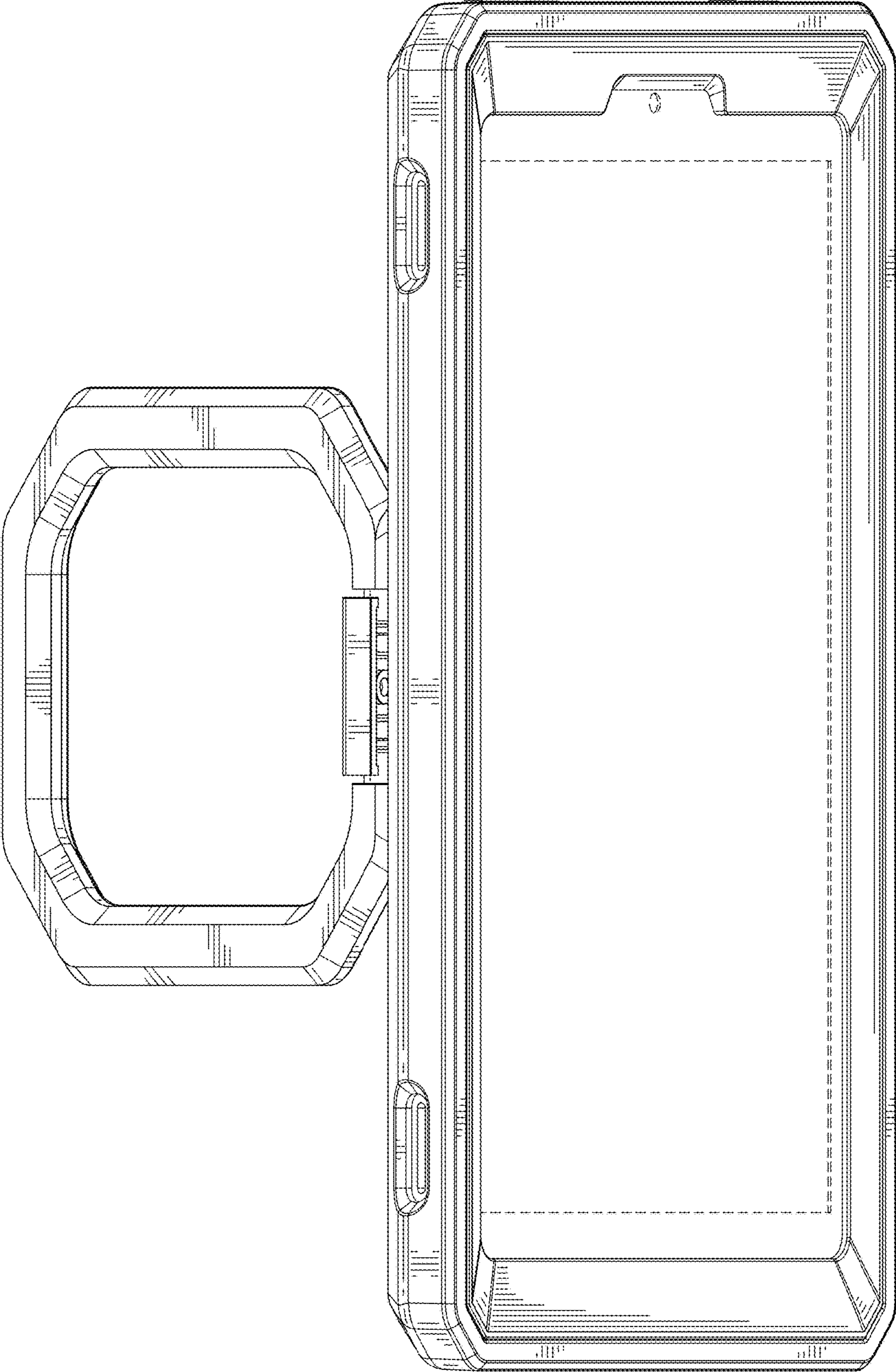


FIG. 6

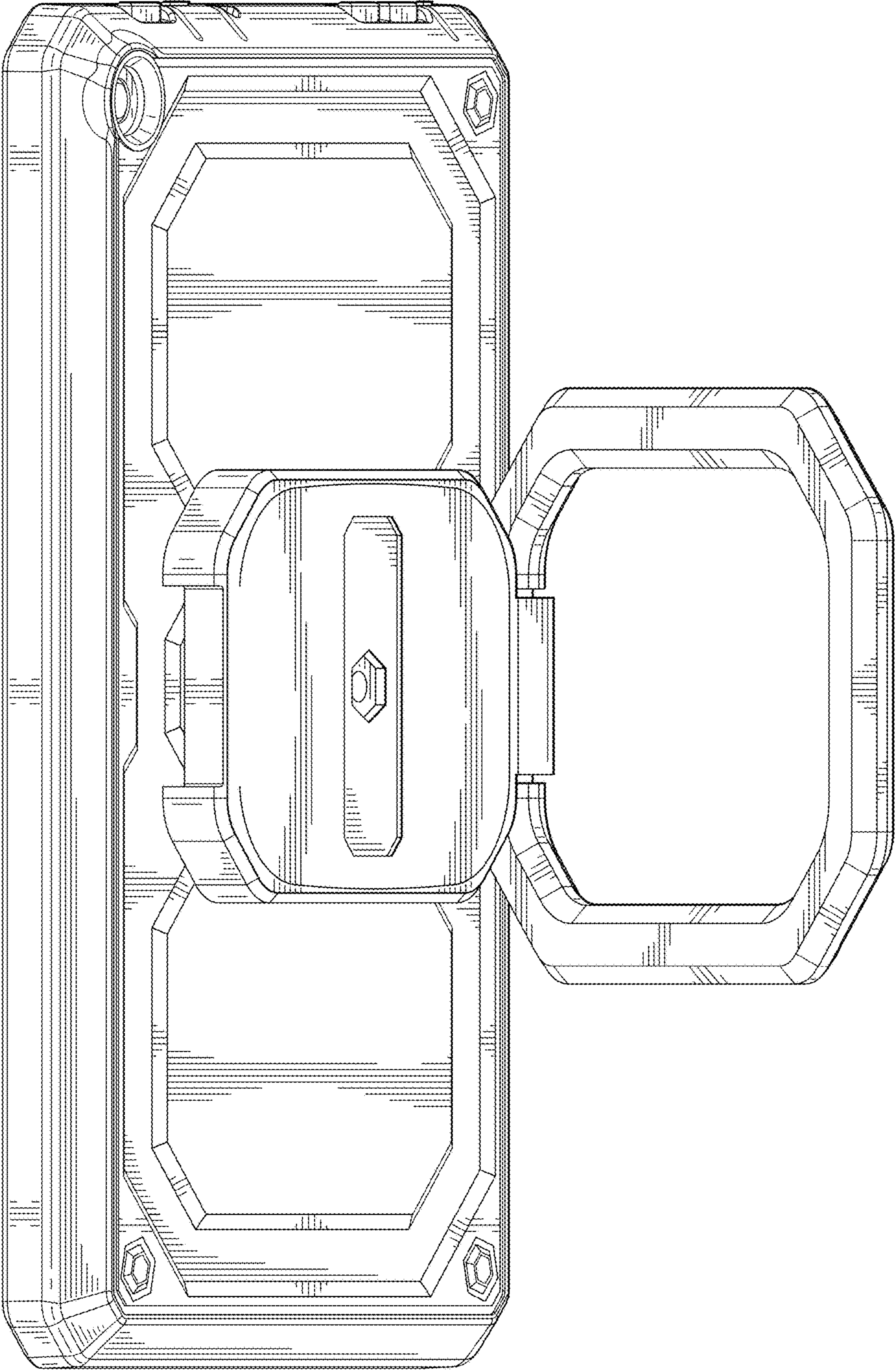


FIG. 7

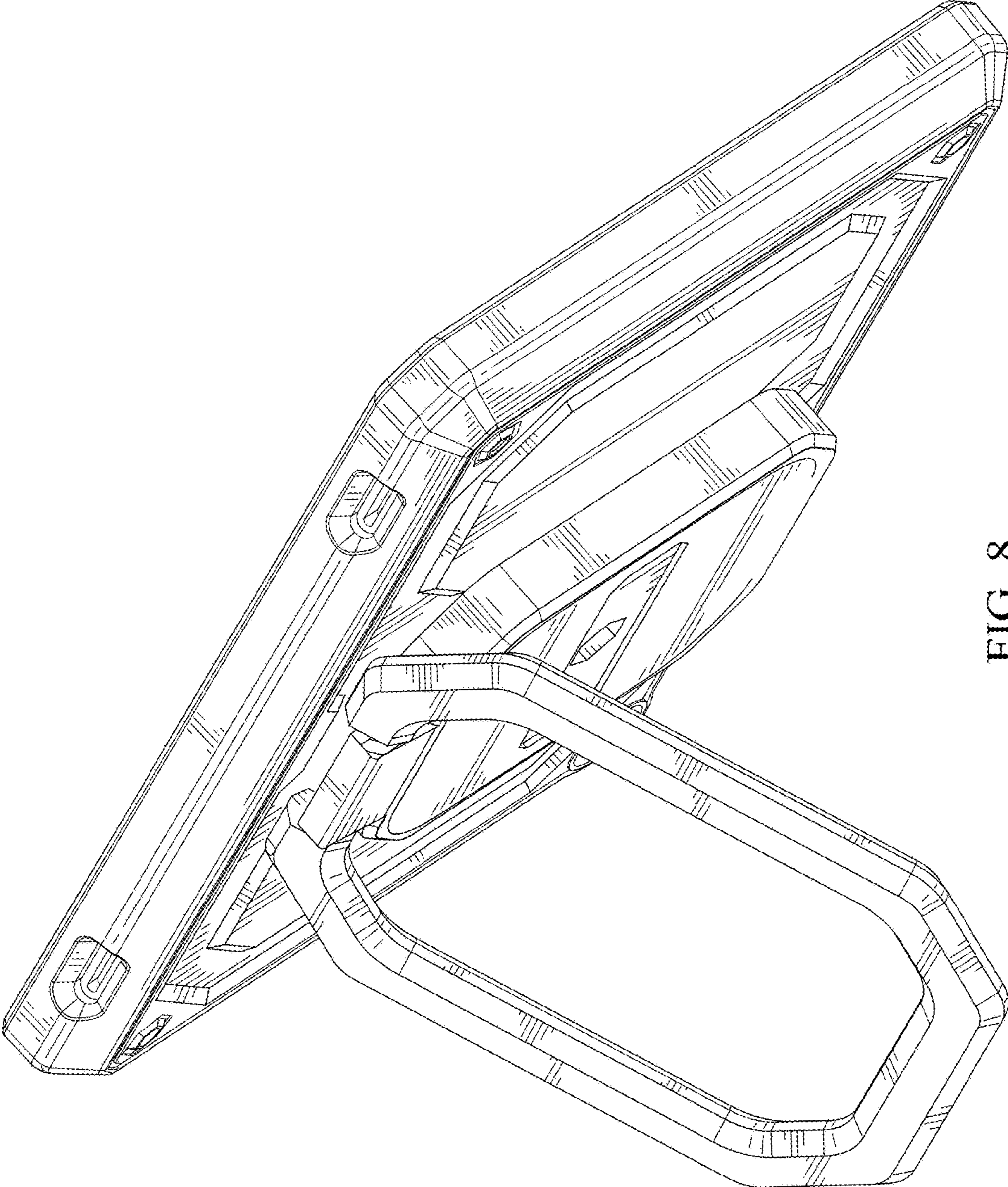


FIG. 8

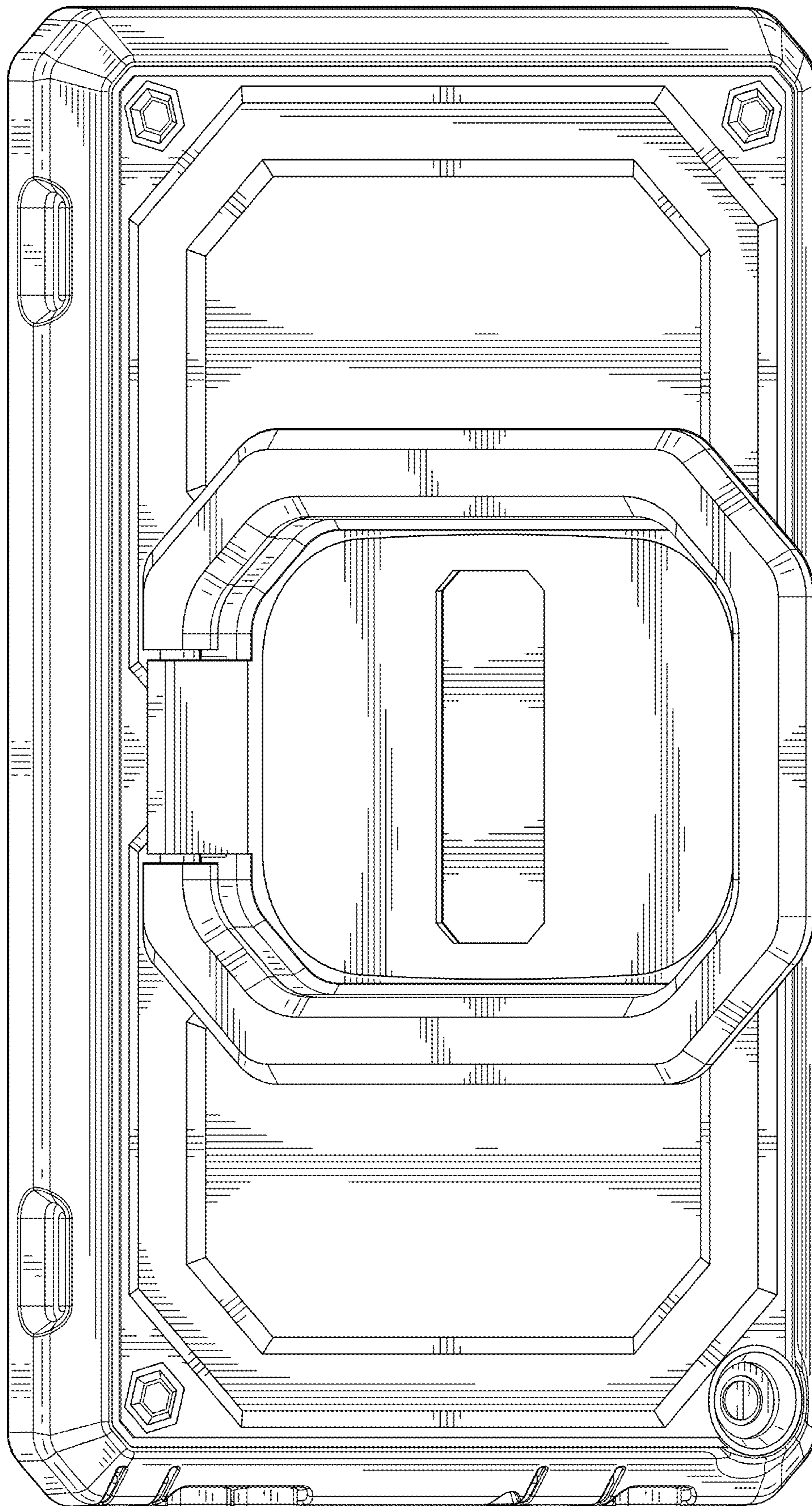


FIG. 9

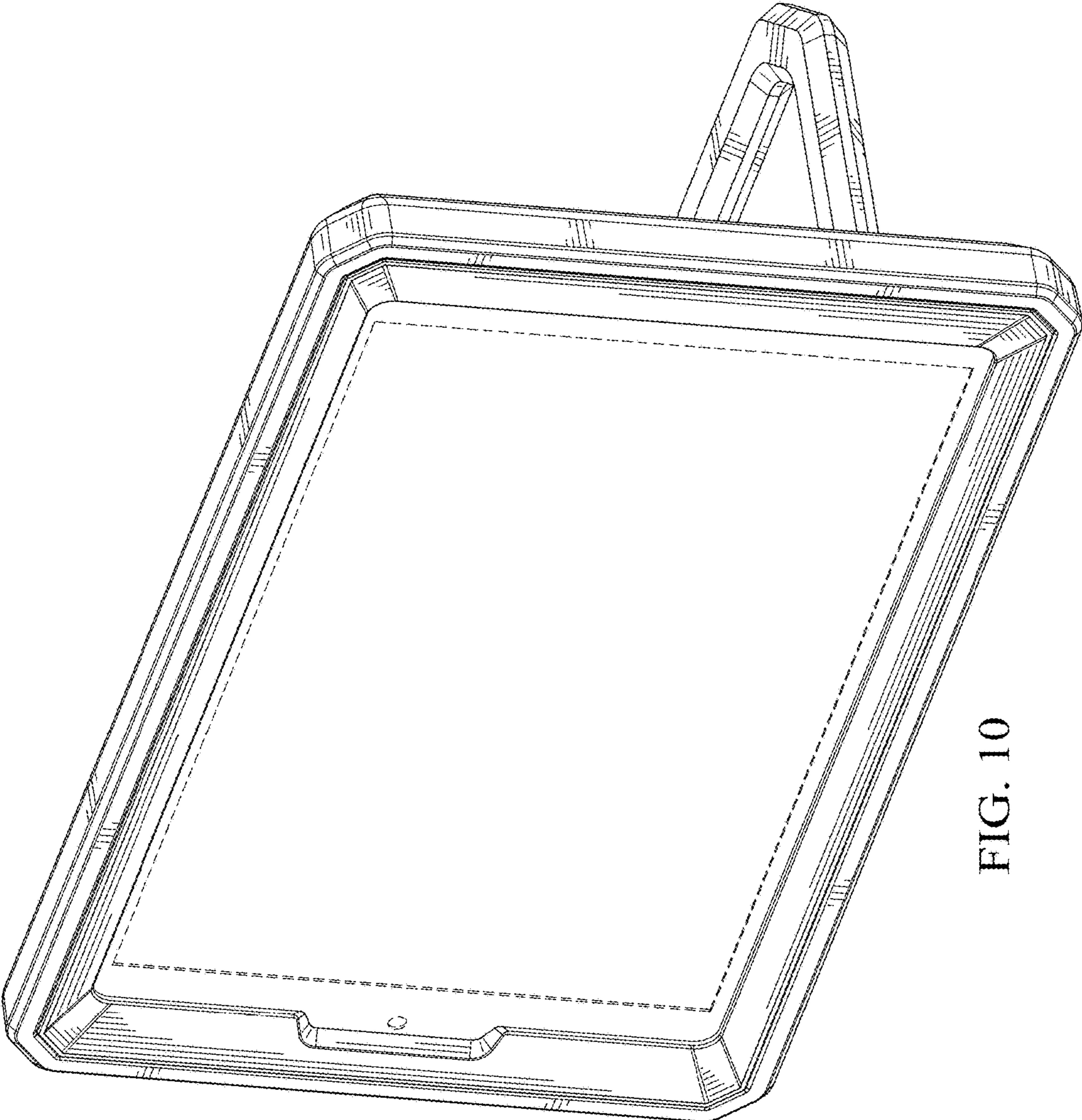


FIG. 10

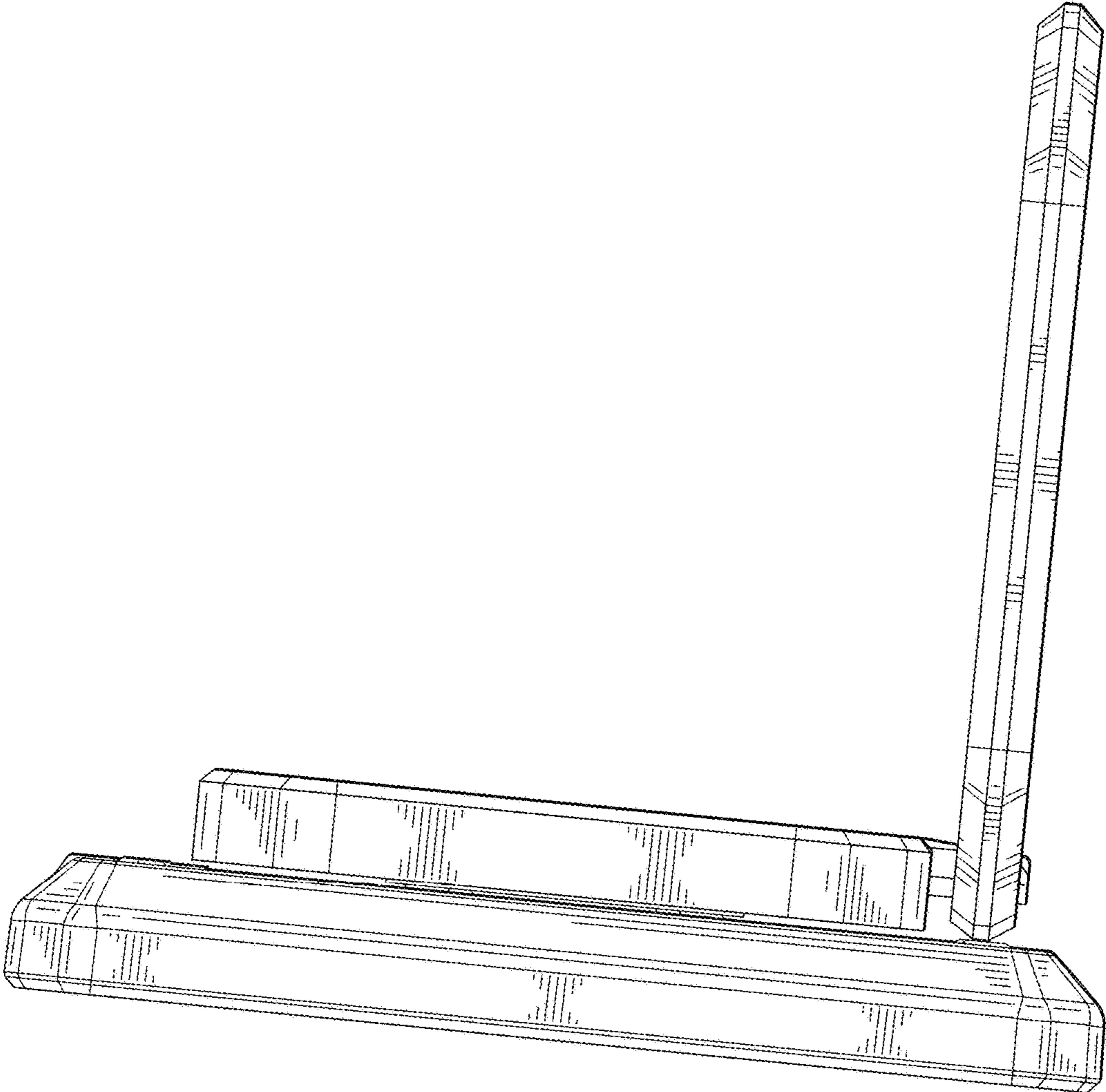


FIG. 11

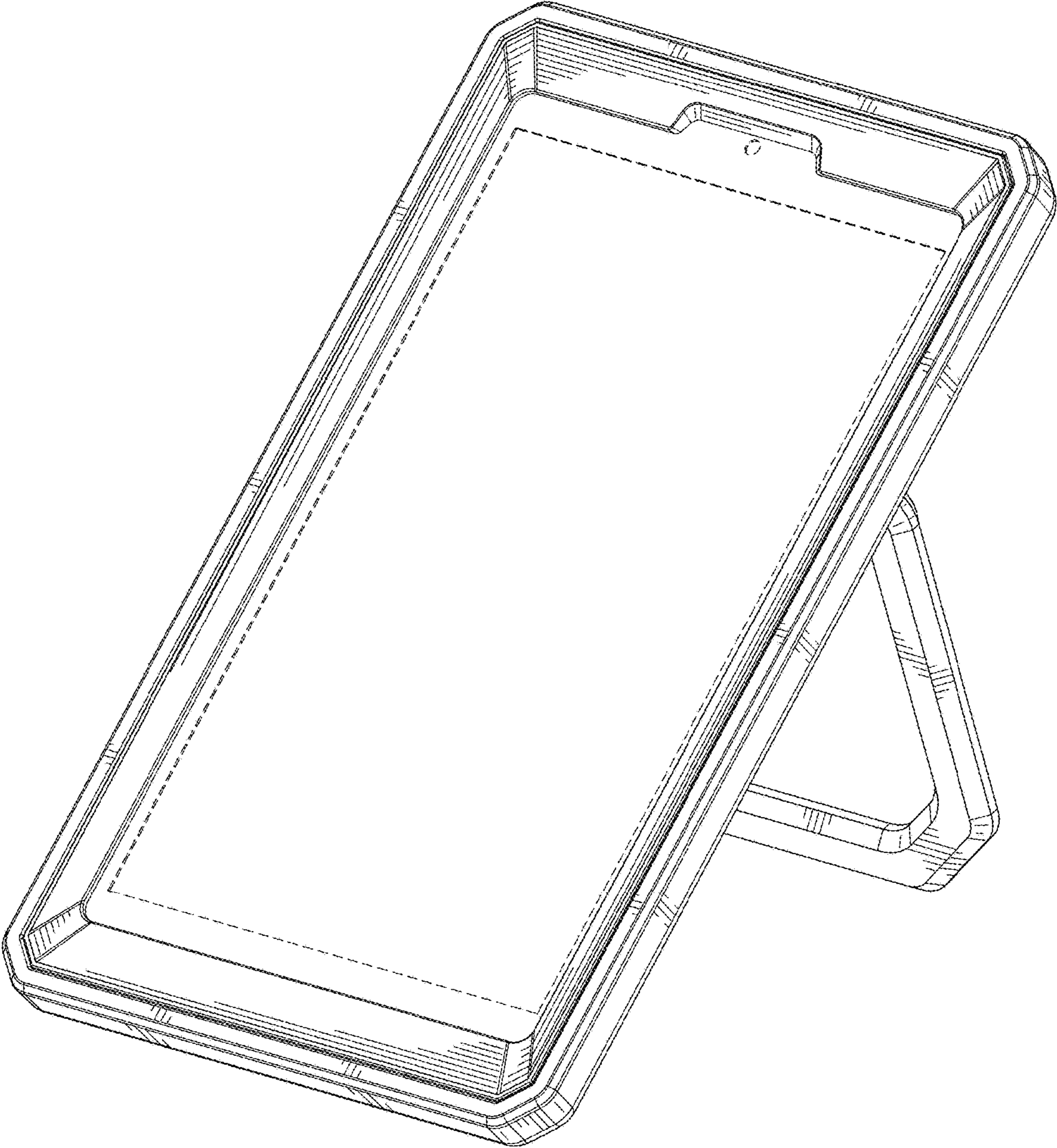


FIG. 12

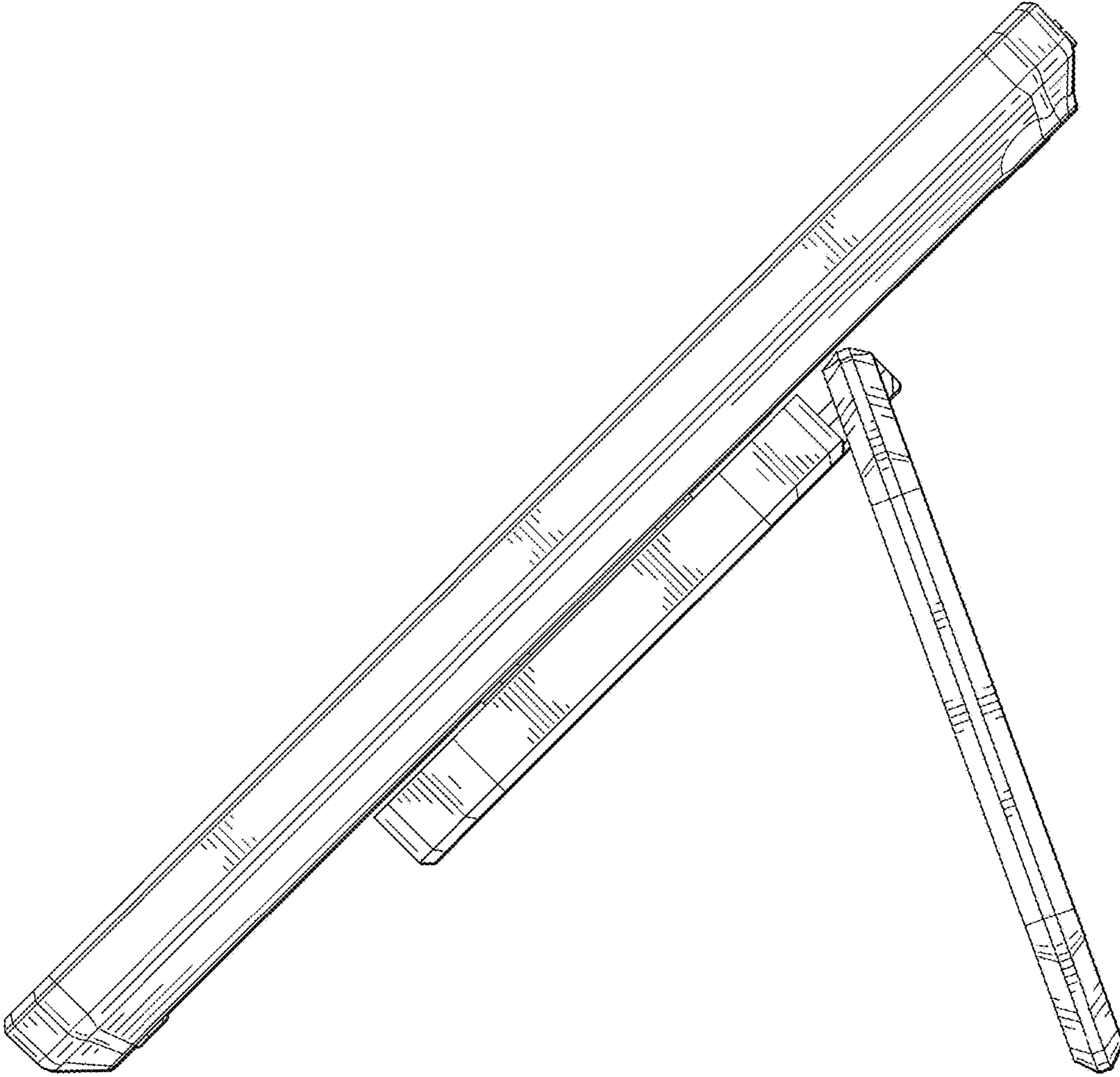


FIG. 13

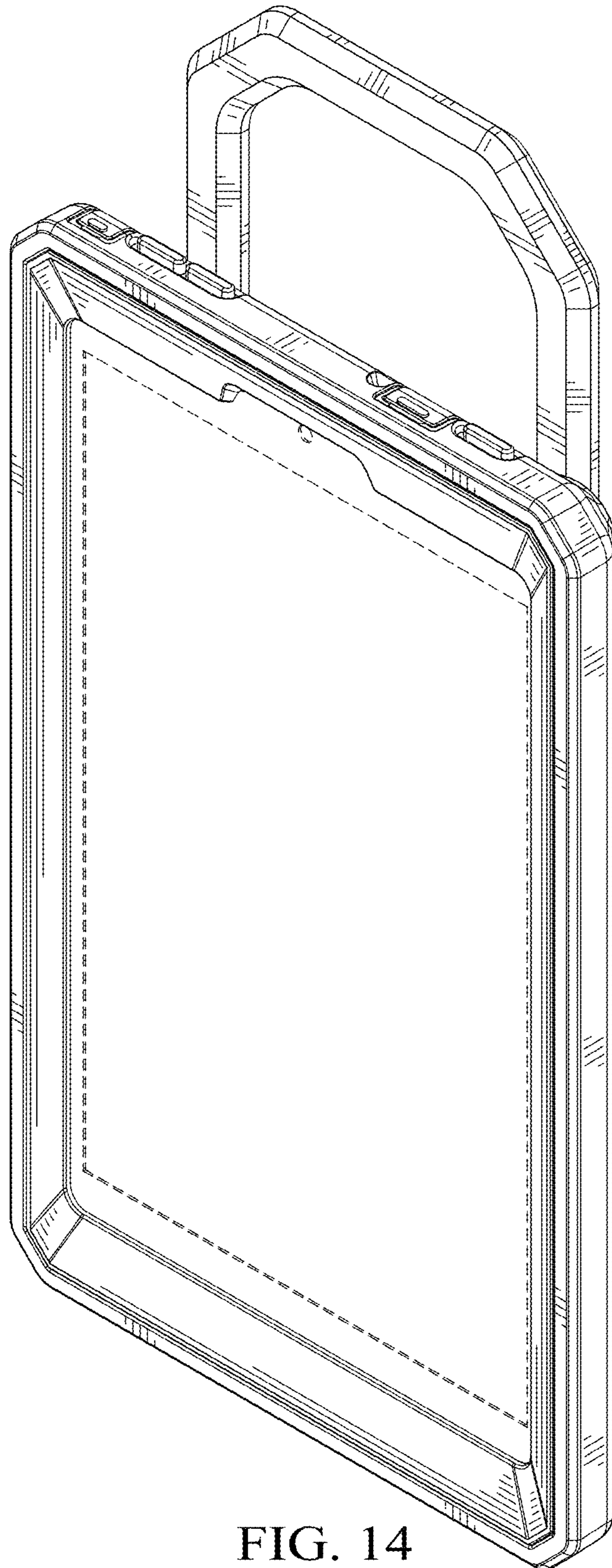


FIG. 14

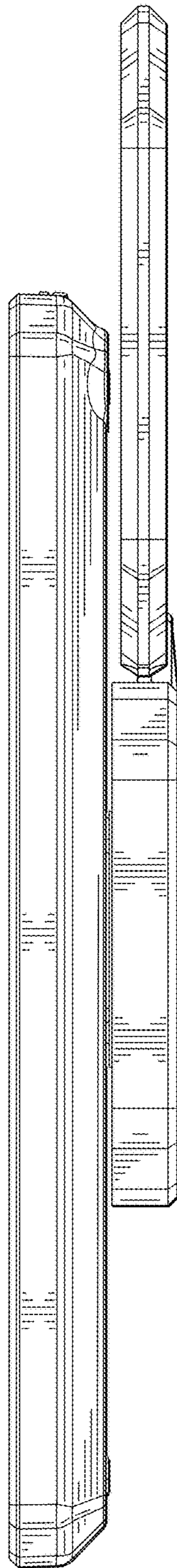


FIG. 15

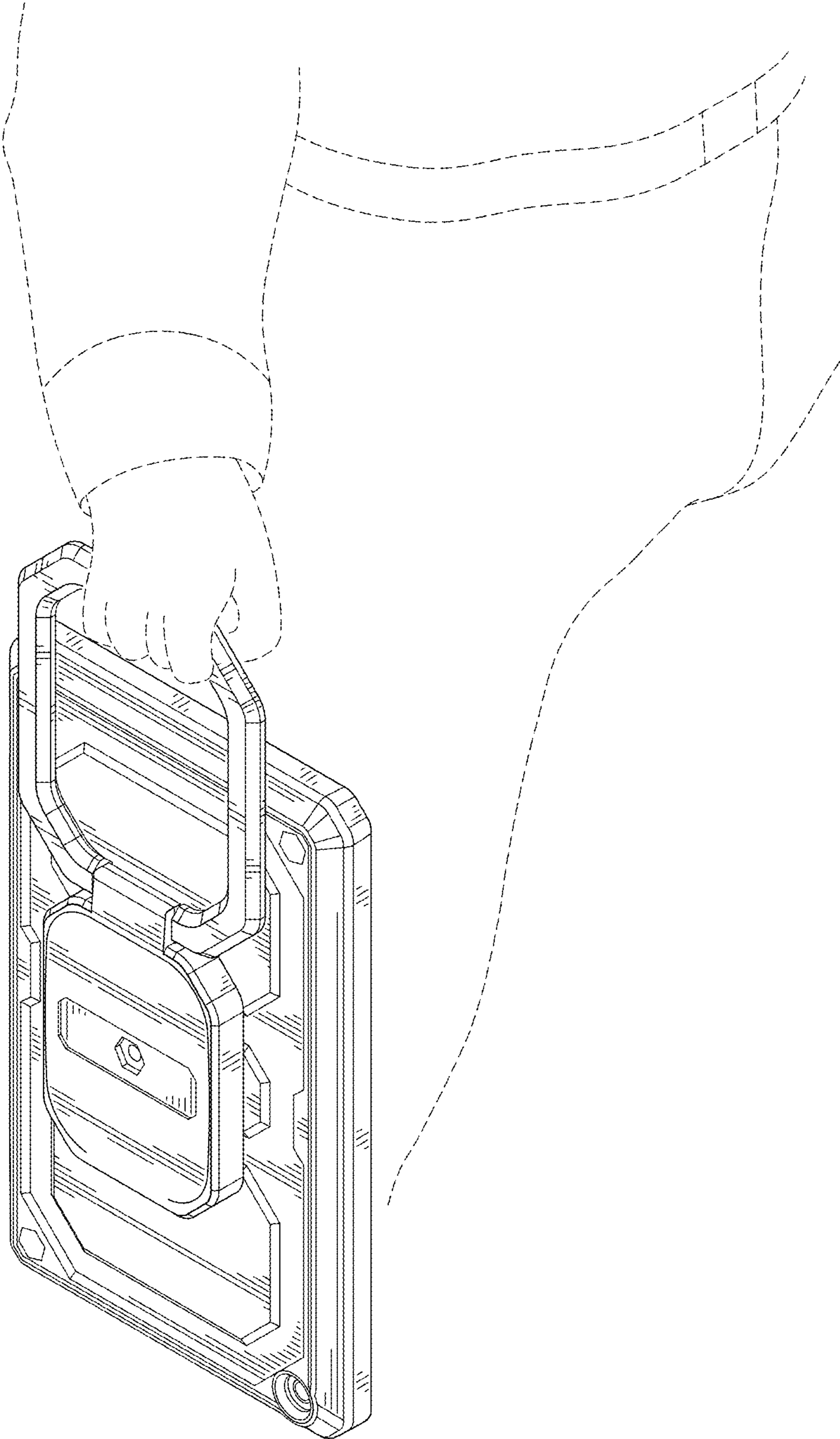


FIG. 16