



US00D803221S

(12) **United States Design Patent** (10) **Patent No.:** **US D803,221 S**
Guo (45) **Date of Patent:** **** Nov. 21, 2017**

(54) **PROTECTIVE SHELL FOR A PAD**

(71) Applicant: **Liyan Guo**, Anqing (CN)

(72) Inventor: **Liyan Guo**, Anqing (CN)

(**) Term: **15 Years**

(21) Appl. No.: **29/583,051**

(22) Filed: **Nov. 1, 2016**

(51) **LOC (10) Cl.** **14-02**

(52) **U.S. Cl.**
USPC **D14/440**

(58) **Field of Classification Search**
USPC D14/440, 250, 447, 433, 434; 206/45.23,
206/320, 45.2; 361/679.55; 294/25;
224/218
CPC ... G06F 1/1628; G06F 1/1626; A47B 23/044;
H04B 1/3888

See application file for complete search history.

(56) **References Cited**

U.S. PATENT DOCUMENTS

D638,414 S *	5/2011	Magness	D14/250
D660,305 S *	5/2012	Ho	D14/447
D692,432 S *	10/2013	Liu	D14/440
D701,211 S *	3/2014	Ng	D14/440
D712,412 S *	9/2014	Bleau	D14/440
8,863,953 B1 *	10/2014	Fager	B65D 71/14 206/320
D725,115 S *	3/2015	Glanzer	D14/440
D725,119 S *	3/2015	Gaylord	D14/440

D726,732 S *	4/2015	Lay	D14/440
D733,154 S *	6/2015	Armstrong	D14/440
D747,321 S *	1/2016	London	D14/440
D749,083 S *	2/2016	Senoff	D14/451
D749,559 S *	2/2016	Senoff	D14/251
D757,731 S *	5/2016	Nguyen	D14/440
D763,853 S *	8/2016	Pearce	D14/440
D789,937 S *	6/2017	Zhang	D14/440
D790,550 S *	6/2017	Chen	D14/440
2012/0075799 A1 *	3/2012	Pollex	F16M 11/041 361/679.56

* cited by examiner

Primary Examiner — Cynthia Underwood
(74) *Attorney, Agent, or Firm* — JiangIP, LLC; Yanling Jiang

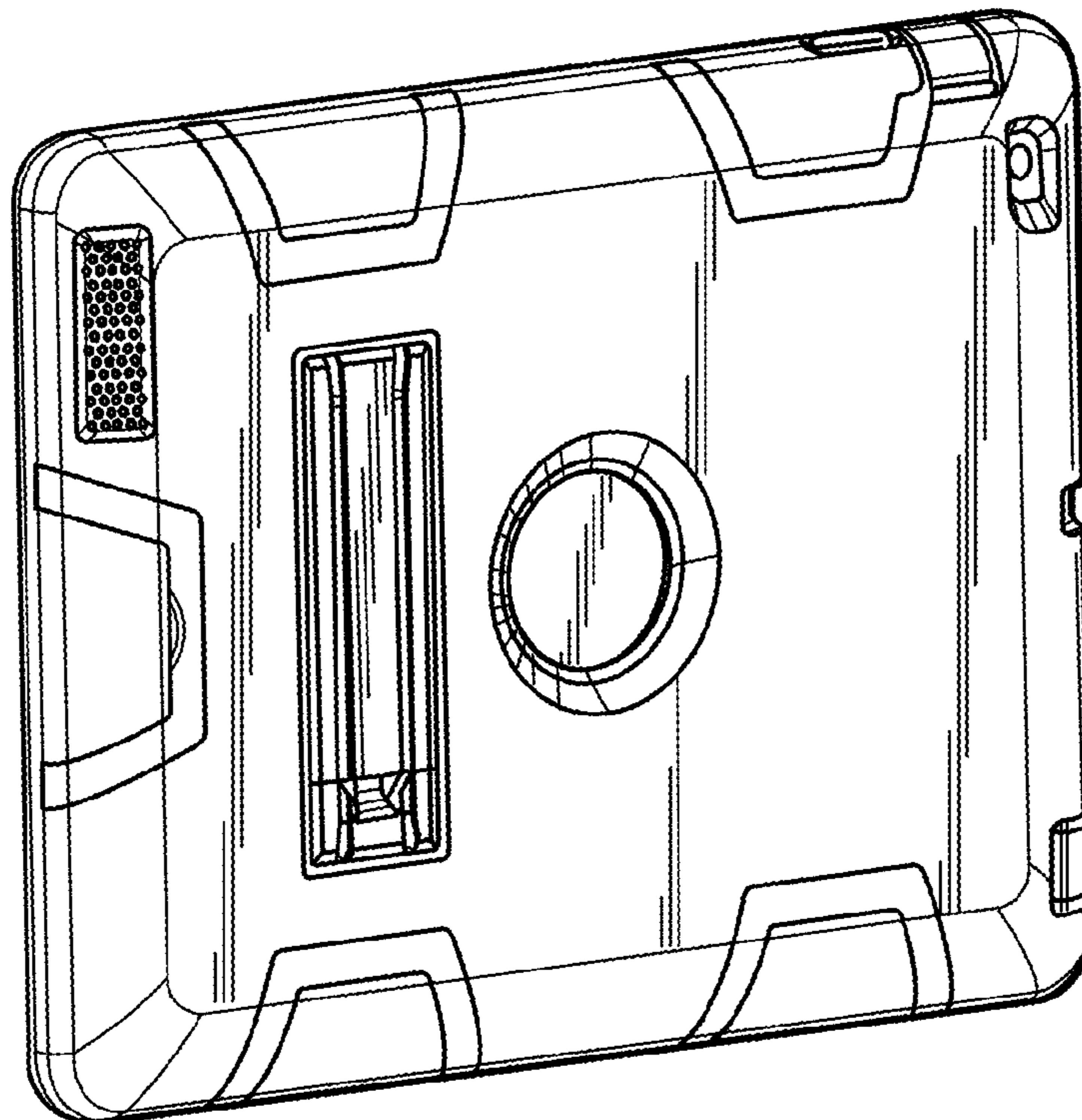
(57) **CLAIM**

The ornamental design for a protective shell for a pad, as shown and described.

DESCRIPTION

FIG. 1 is a front perspective view of a protective shell for a pad showing my new design;
FIG. 2 is a back perspective view thereof;
FIG. 3 is a top plan view thereof;
FIG. 4 is a front elevation view thereof;
FIG. 5 is a right side elevation view thereof;
FIG. 6 is a left side elevation view thereof;
FIG. 7 is a bottom plan view thereof; and,
FIG. 8 is a rear elevation view thereof.
The shade lines in the Figures show contour and not surface ornamentation.

1 Claim, 3 Drawing Sheets



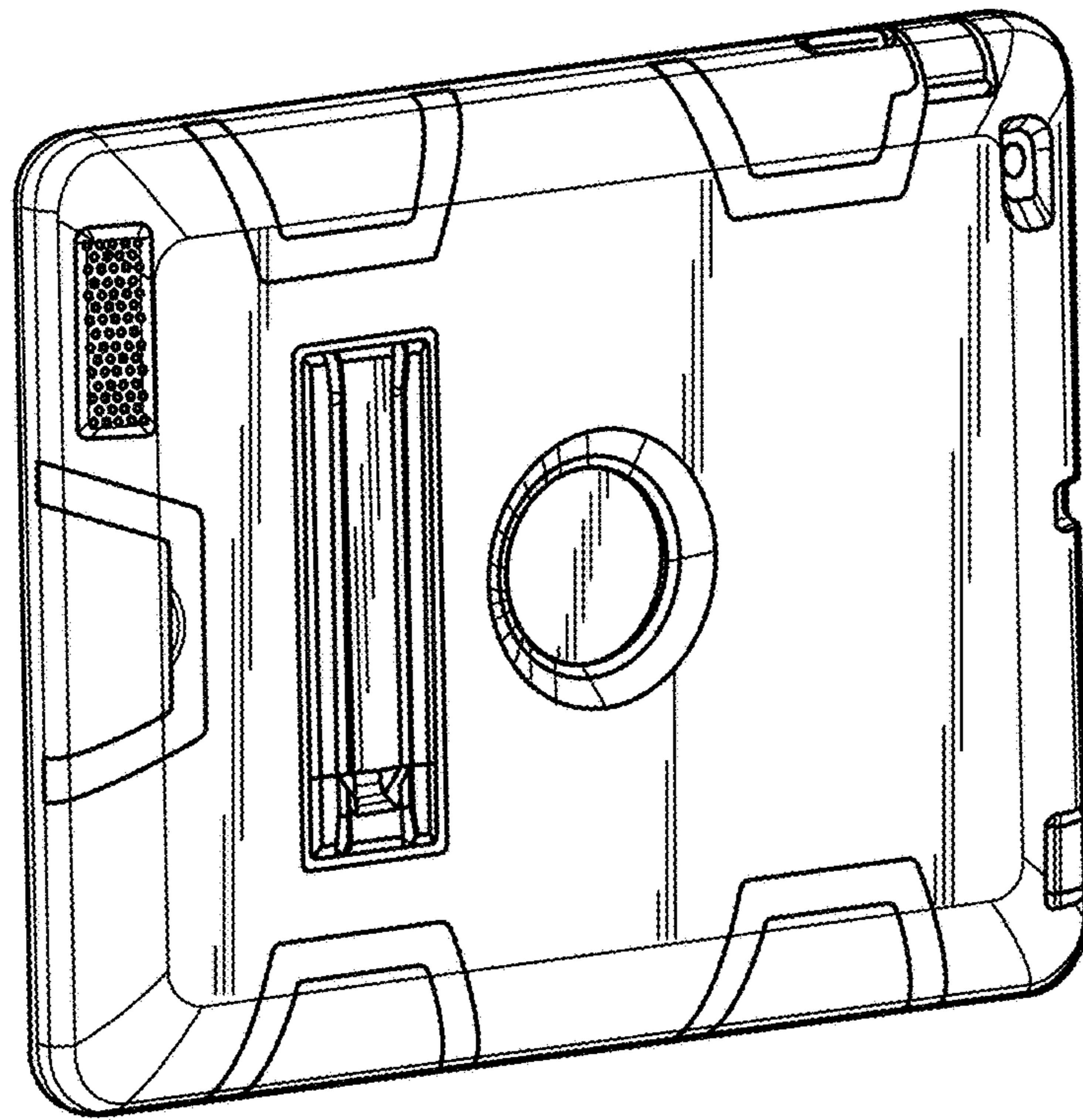


FIG. 1

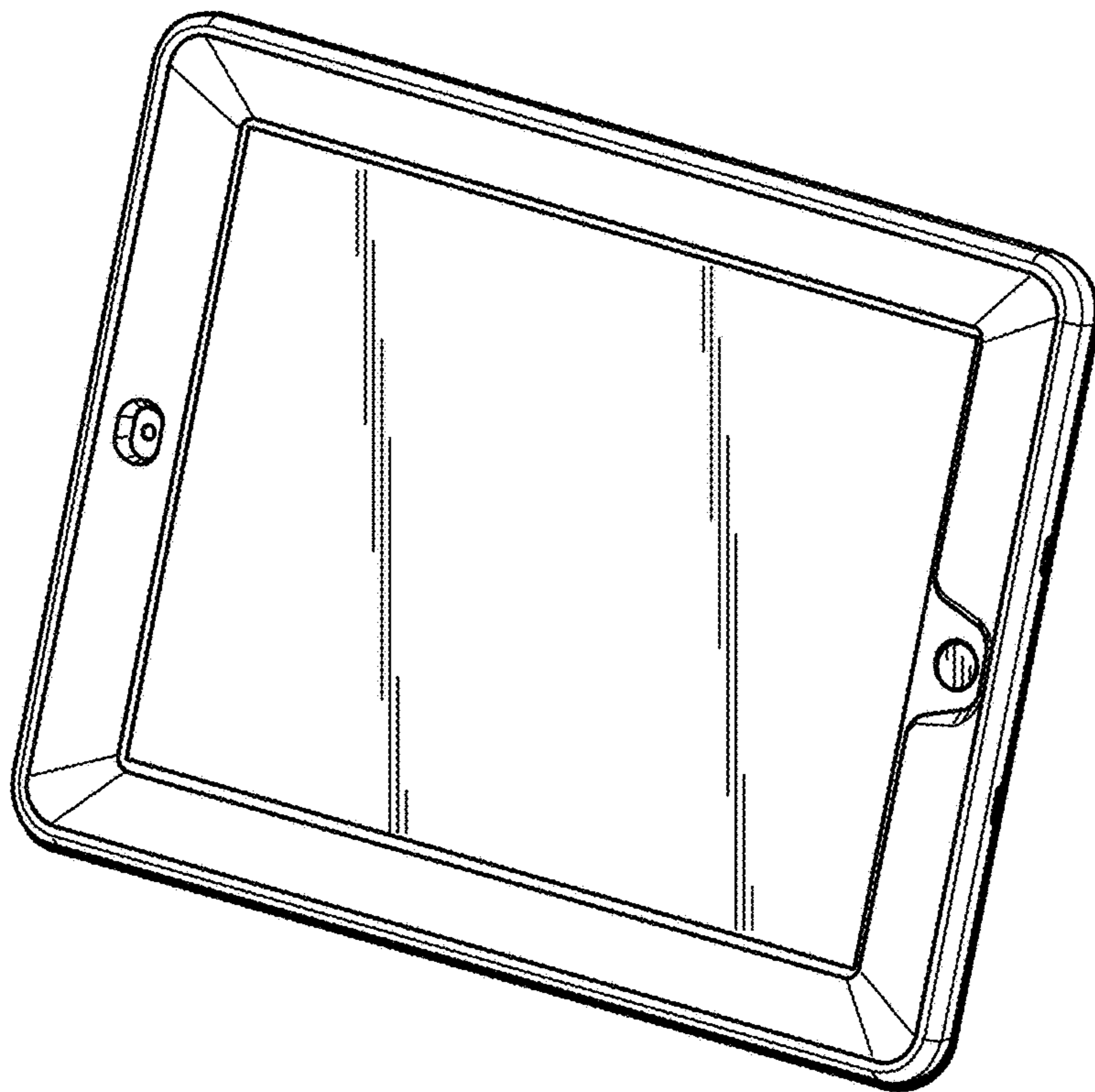


FIG. 2



FIG. 3



FIG. 6

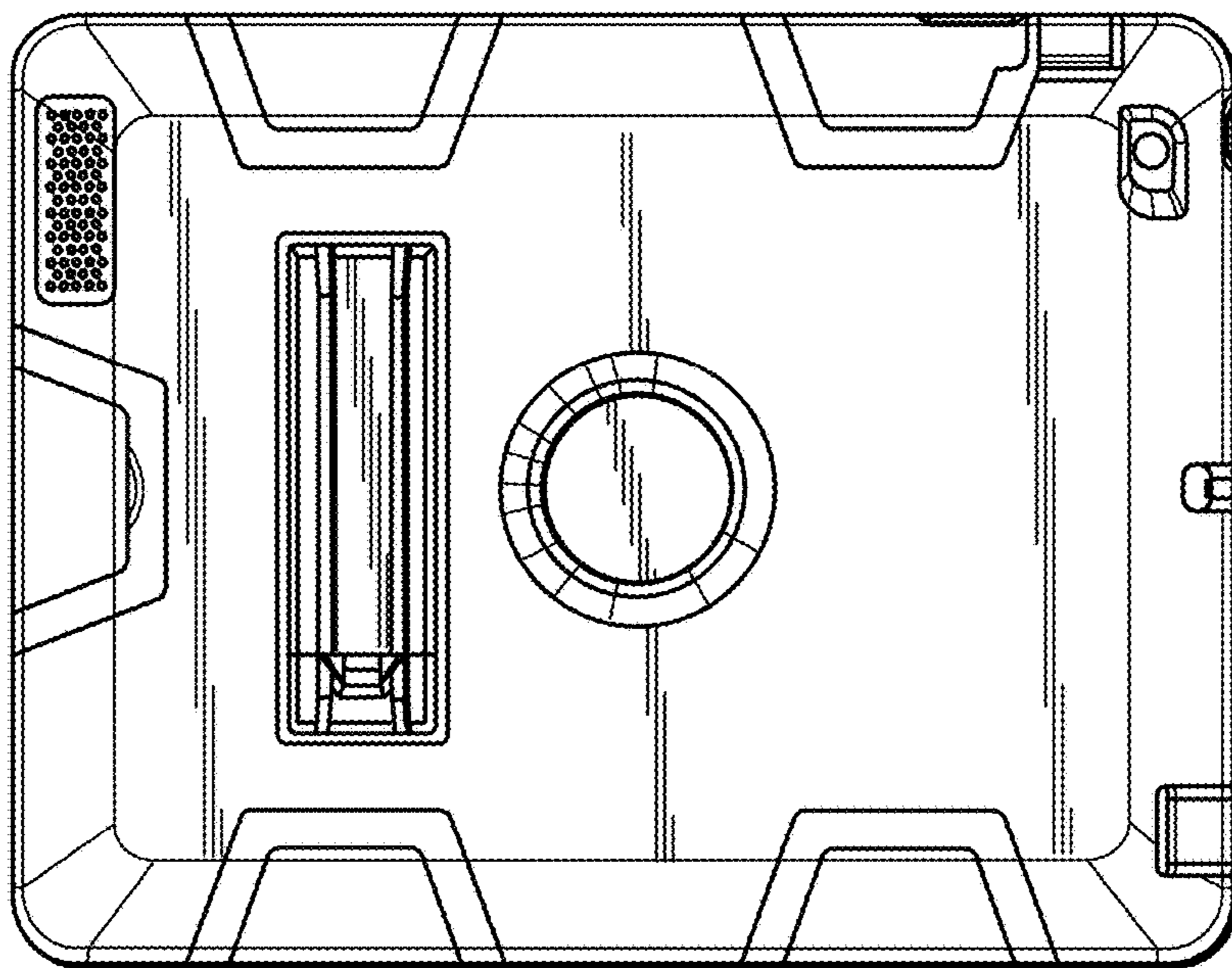


FIG. 4

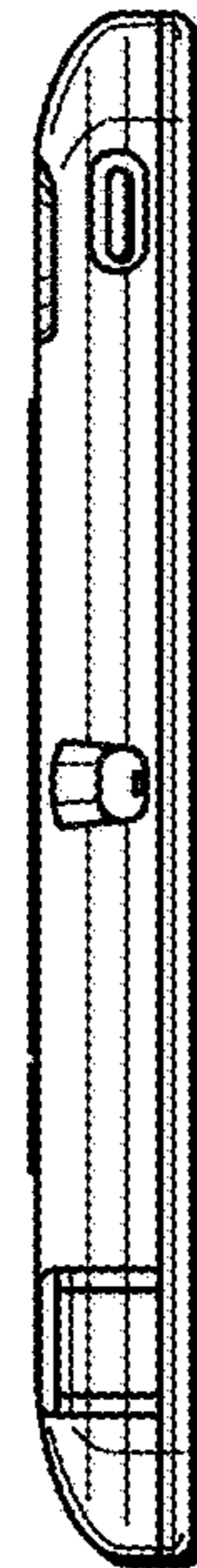


FIG. 5



FIG. 7

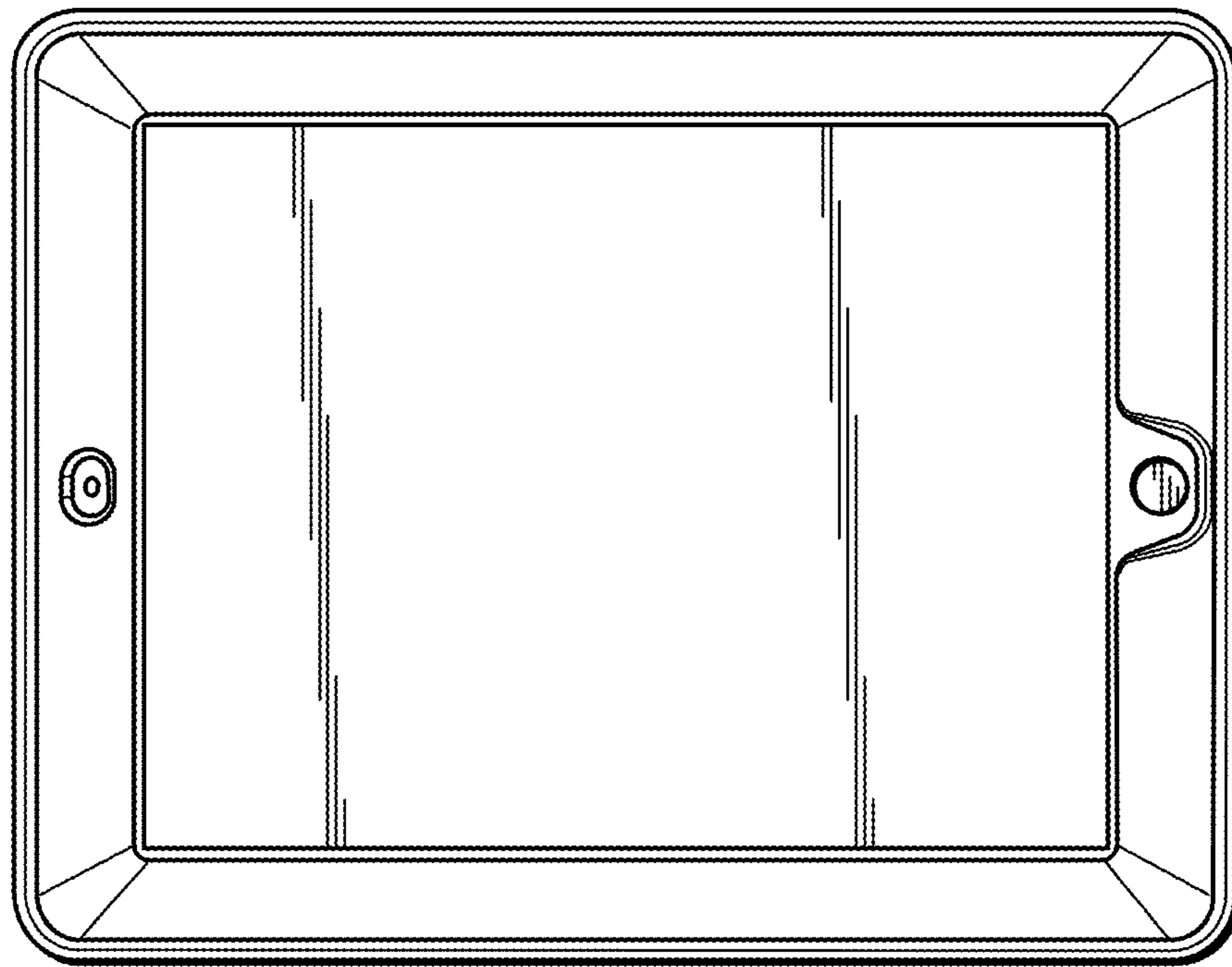


FIG. 8