



US00D803220S

(12) **United States Design Patent**  
**Li**

(10) **Patent No.:** **US D803,220 S**

(45) **Date of Patent:** **\*\* Nov. 21, 2017**

(54) **EXPANSION DEVICE OF RUGGED TABLET**

(71) Applicant: **Getac Technology Corporation,**  
Hsinchu County (TW)

(72) Inventor: **Chun-Hsing Li,** Taipei (TW)

(73) Assignee: **GETAC TECHNOLOGY**  
**CORPORATION,** Hsinchu County  
(TW)

(\*\*) Term: **15 Years**

(21) Appl. No.: **29/551,078**

(22) Filed: **Jan. 11, 2016**

(51) **LOC (10) Cl.** ..... **14-02**

(52) **U.S. Cl.**  
USPC ..... **D14/440**

(58) **Field of Classification Search**  
USPC ..... D14/440, 250, 447; 206/45.23, 320,  
206/45.2; 361/679.55; 294/25; 224/218  
CPC ... G06F 1/1628; G06F 1/1626; A47B 23/044;  
H04B 1/3888  
See application file for complete search history.

(56) **References Cited**

**U.S. PATENT DOCUMENTS**

D694,759 S \* 12/2013 Chang ..... D14/440  
D724,093 S \* 3/2015 Dong ..... D14/440

D725,116 S \* 3/2015 Li ..... D14/440  
D766,907 S \* 9/2016 Veltz ..... D14/440  
D789,937 S \* 6/2017 Zhang ..... D14/440  
D792,886 S \* 7/2017 Schwibner ..... D14/440

\* cited by examiner

*Primary Examiner* — Cynthia Underwood

(74) *Attorney, Agent, or Firm* — Locke Lord LLP; Tim  
Tingkang Xia, Esq.

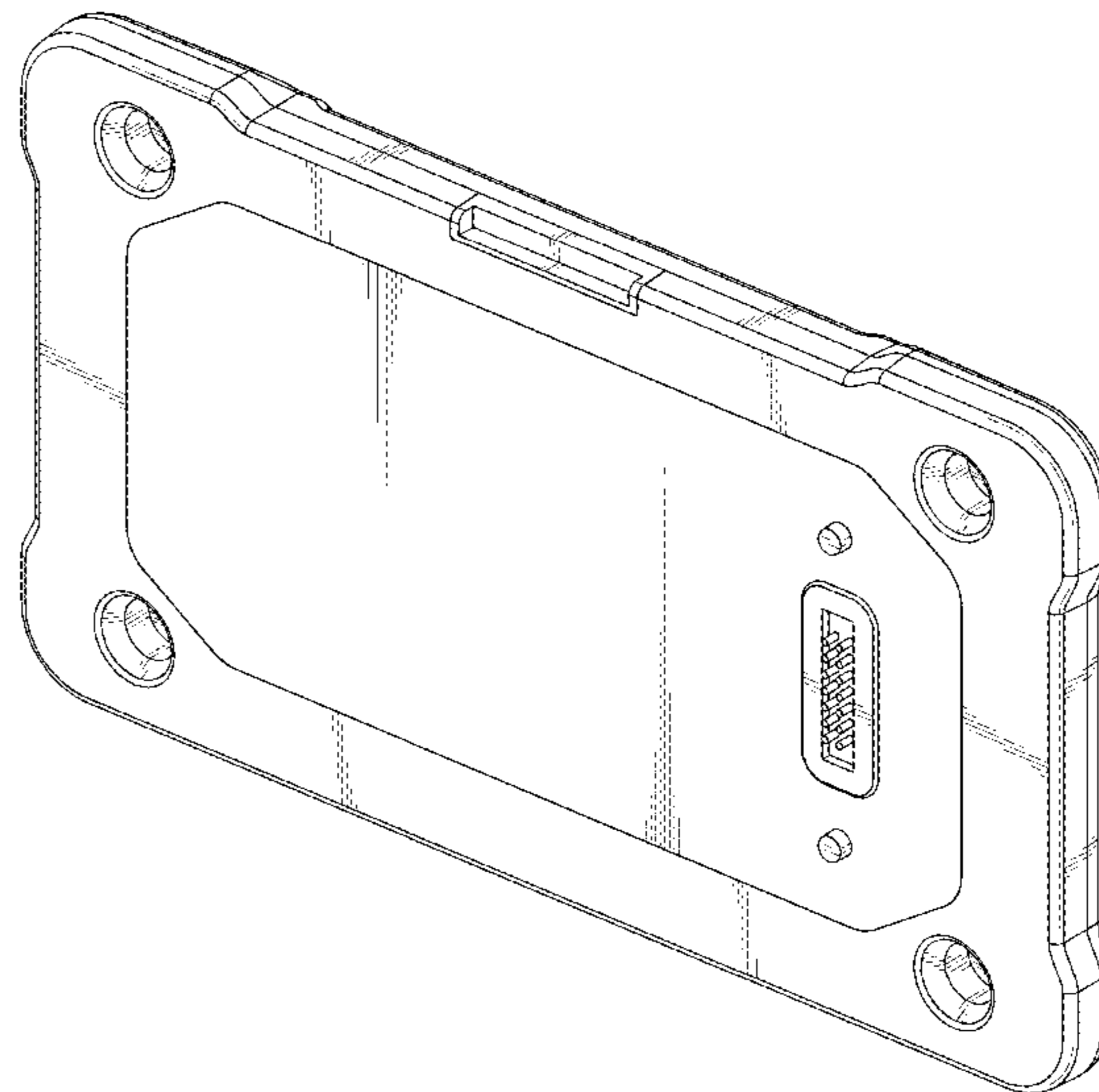
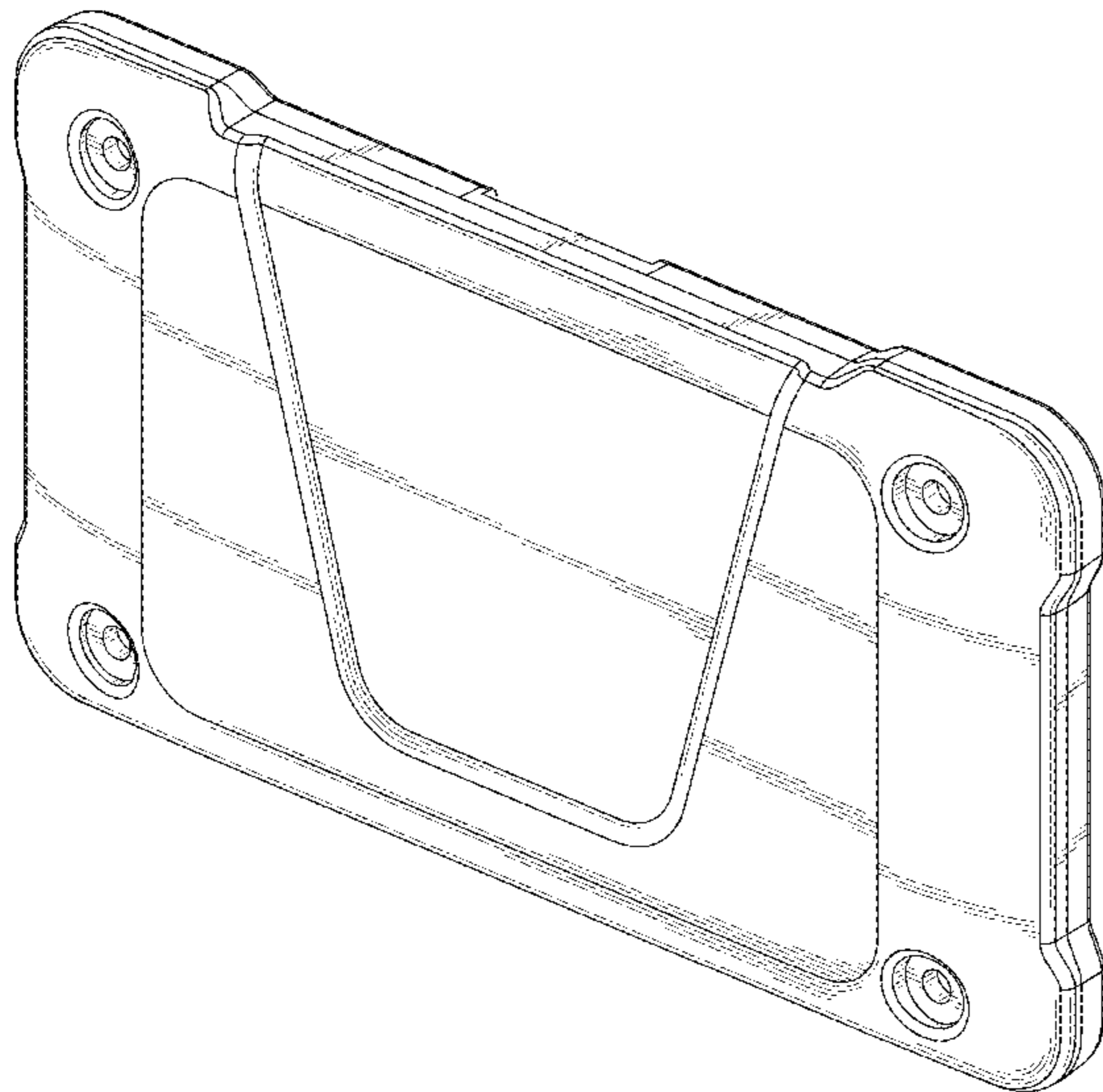
(57) **CLAIM**

The ornamental design for an expansion device of rugged tablet, as shown and described.

**DESCRIPTION**

FIG. 1 is a top front right perspective view showing my new design;  
FIG. 2 is a top rear left perspective view of my new design;  
FIG. 3 is a front view of my new design;  
FIG. 4 is a rear view of my new design;  
FIG. 5 is a left side view of my new design;  
FIG. 6 is a right side view of my new design;  
FIG. 7 is a top view of my new design; and,  
FIG. 8 is a bottom view of my new design.

**1 Claim, 6 Drawing Sheets**



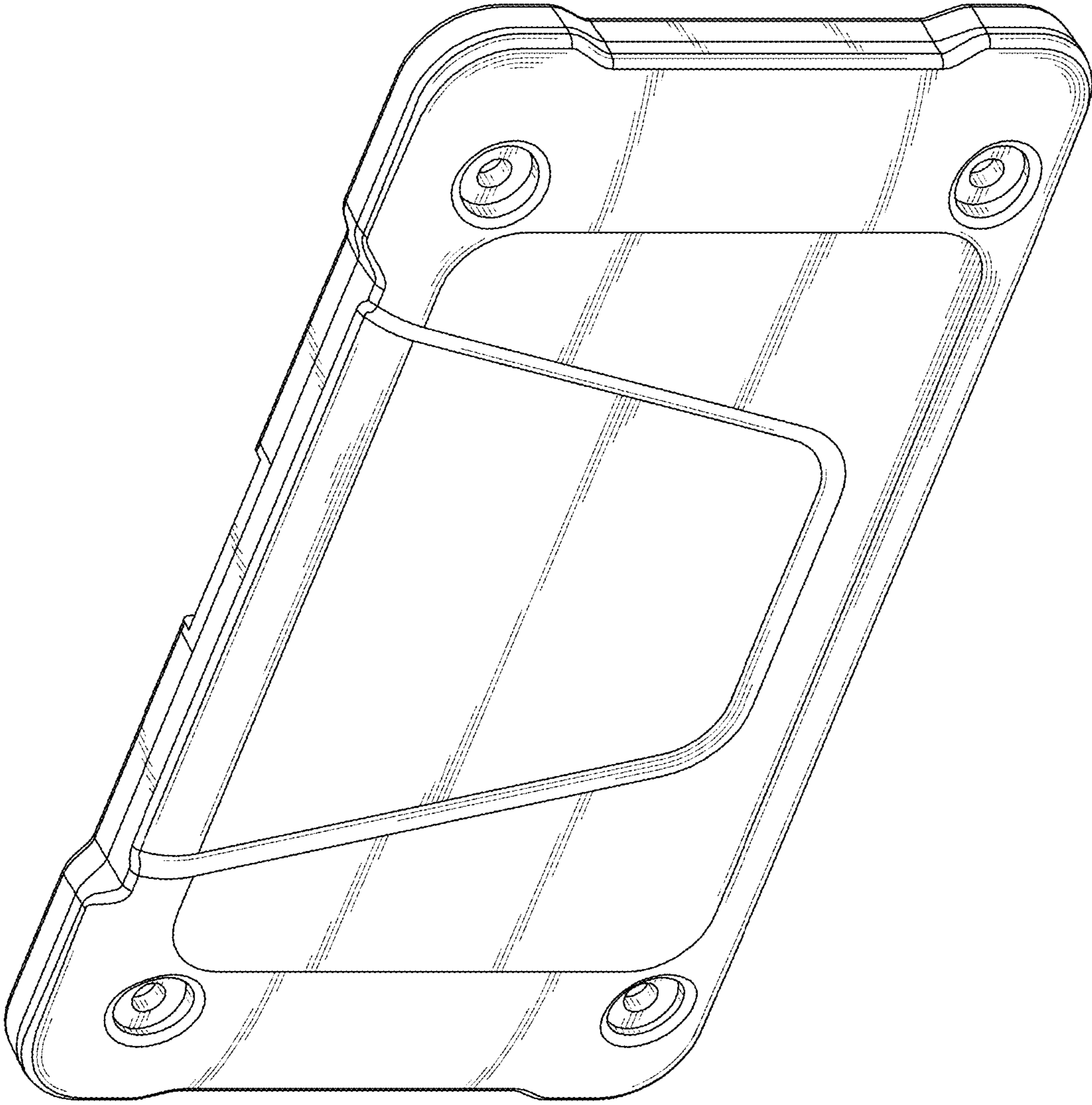


FIG. 1

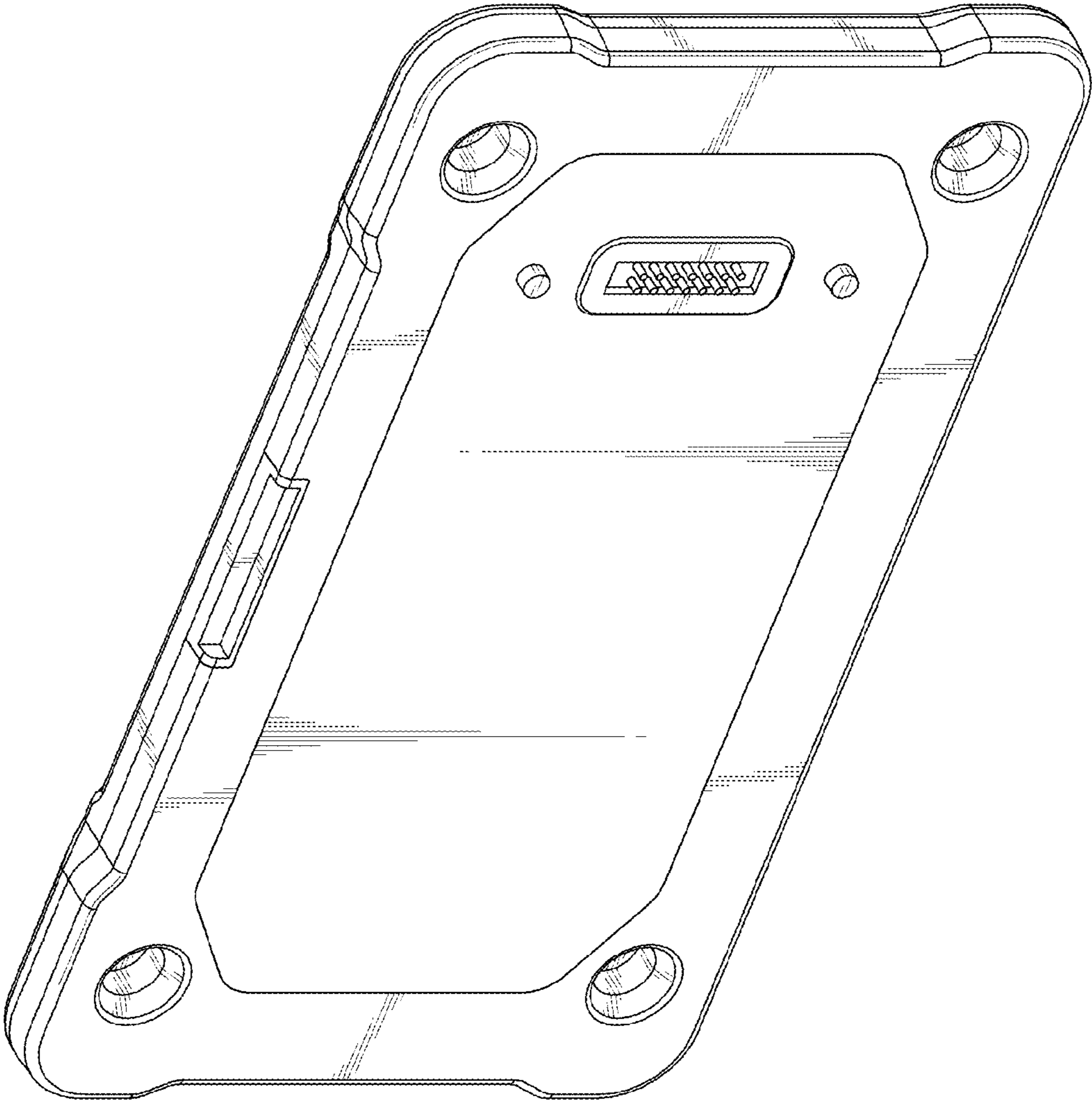


FIG. 2

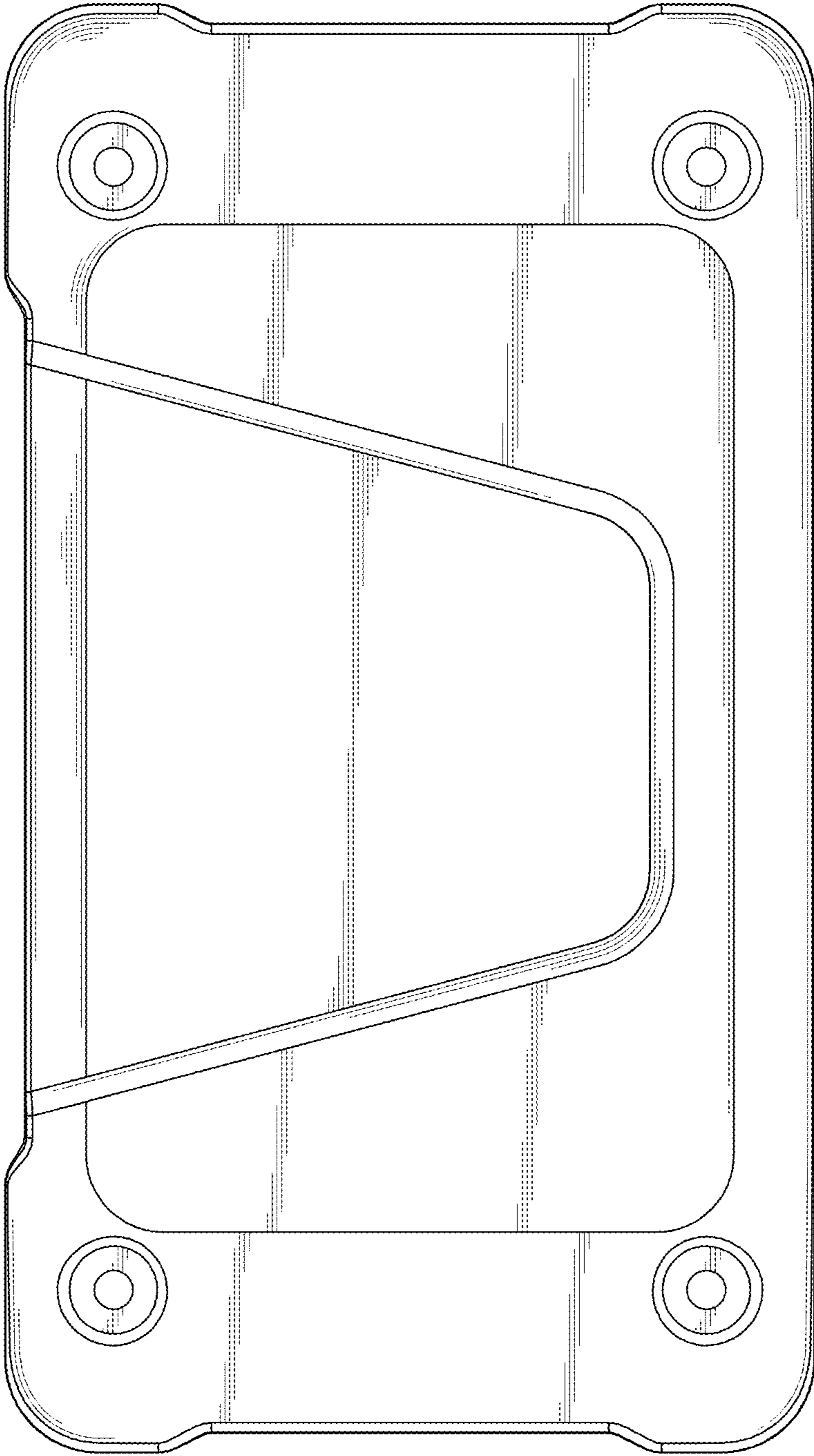


FIG. 3

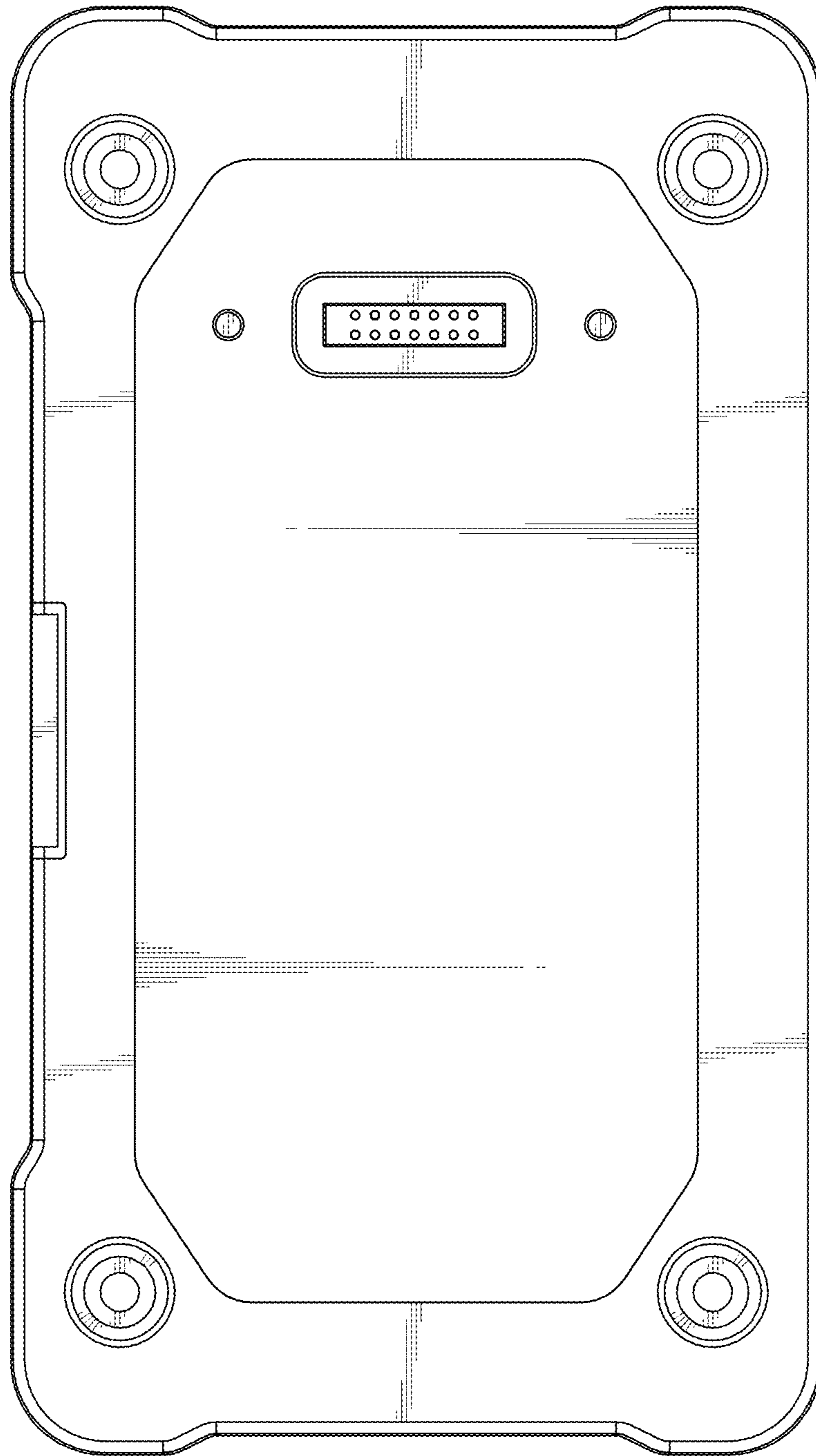


FIG. 4

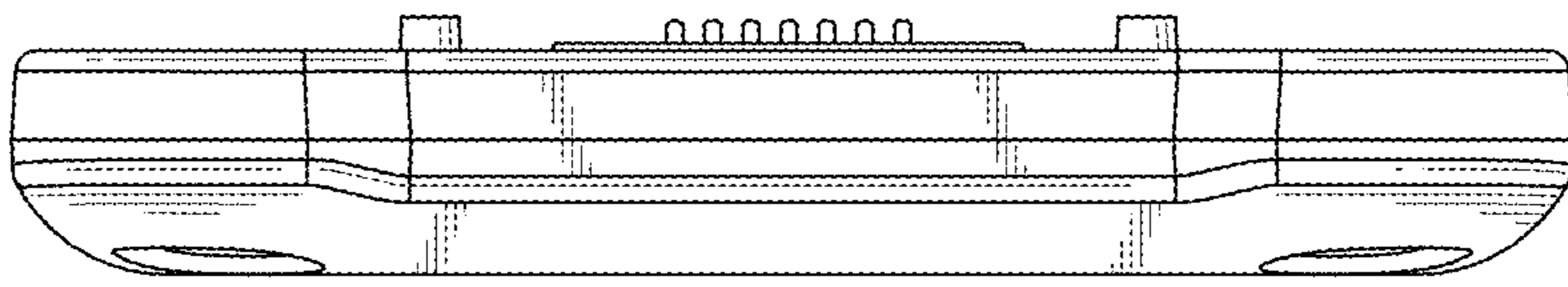


FIG. 6

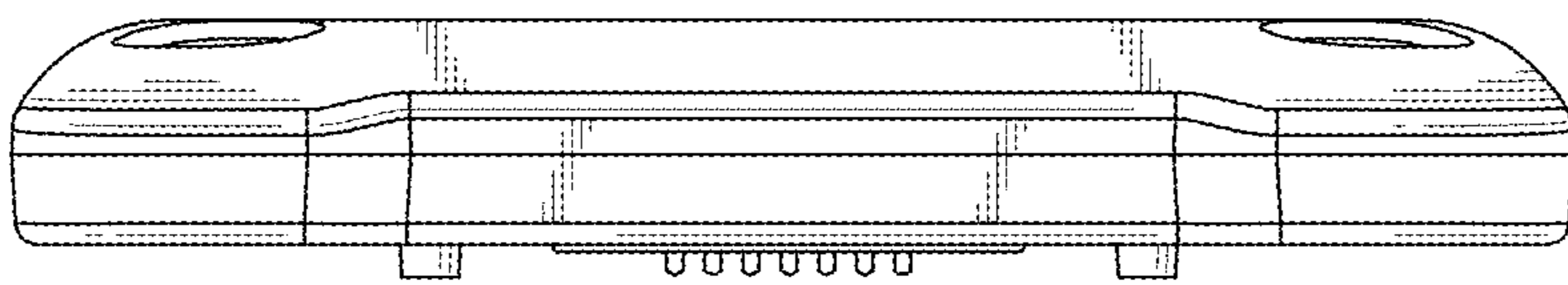


FIG. 5

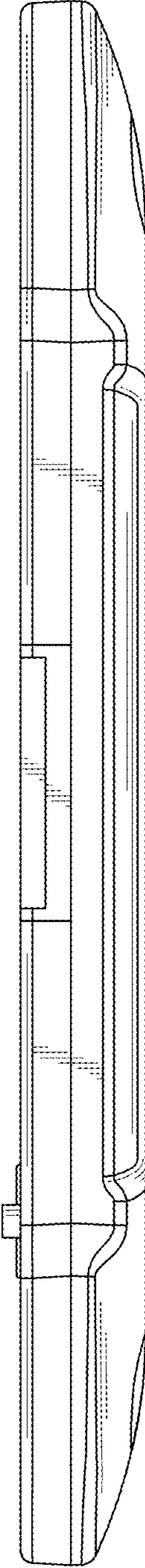


FIG. 7

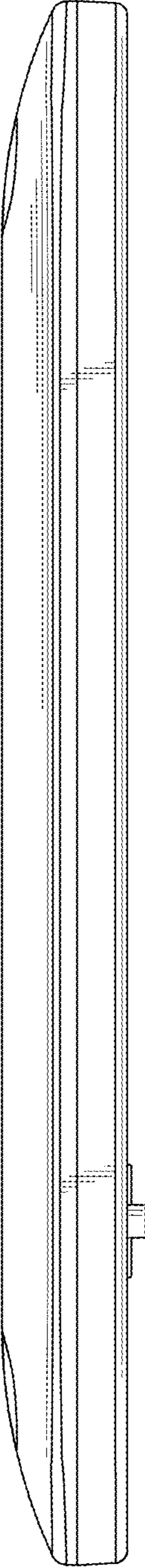


FIG. 8