



US00D803219S

(12) **United States Design Patent** (10) **Patent No.:** **US D803,219 S**
Volek (45) **Date of Patent:** **** Nov. 21, 2017**

- (54) **DOCKING STATION**
- (71) Applicant: **Humanscale Corporation**, New York, NY (US)
- (72) Inventor: **Robert Volek**, New York, NY (US)
- (73) Assignee: **Humanscale Corporation**, New York, NY (US)
- (**) Term: **15 Years**
- (21) Appl. No.: **29/567,417**
- (22) Filed: **Jun. 8, 2016**
- (51) **LOC (10) Cl.** **14-02**
- (52) **U.S. Cl.**
USPC **D14/434; D14/452; D14/357**
- (58) **Field of Classification Search**
USPC D14/434, 440, 447, 251-253, 432, 451, D14/452, 454, 140, 142, 149, 217, 240, D14/299, 496, 356, 358, 455, 457, 357, D14/375, 376, 129, 239; D13/103, 107, D13/108, 118, 119, 184; D10/74, 80; D6/512, 672, 682
CPC G06F 1/1616; G06F 1/1626; G06F 1/1632; G06F 1/266
See application file for complete search history.

D496,362 S * 9/2004 Ozolins D14/375
D496,363 S * 9/2004 Ozolins D14/375
D533,174 S * 12/2006 Richter D14/251
(Continued)

OTHER PUBLICATIONS

Dell Monitor Stand User's Guide (USB 3.0 Dock MKS14), Aug. 2015, 23 pgs.

Primary Examiner — Susan Bennett Hattan
Assistant Examiner — Marie D. Fast Horse
(74) *Attorney, Agent, or Firm* — Womble Carlyle Sandridge & Rice, LLC

(57) **CLAIM**

I claim the ornamental design for a docking station, as shown and described.

DESCRIPTION

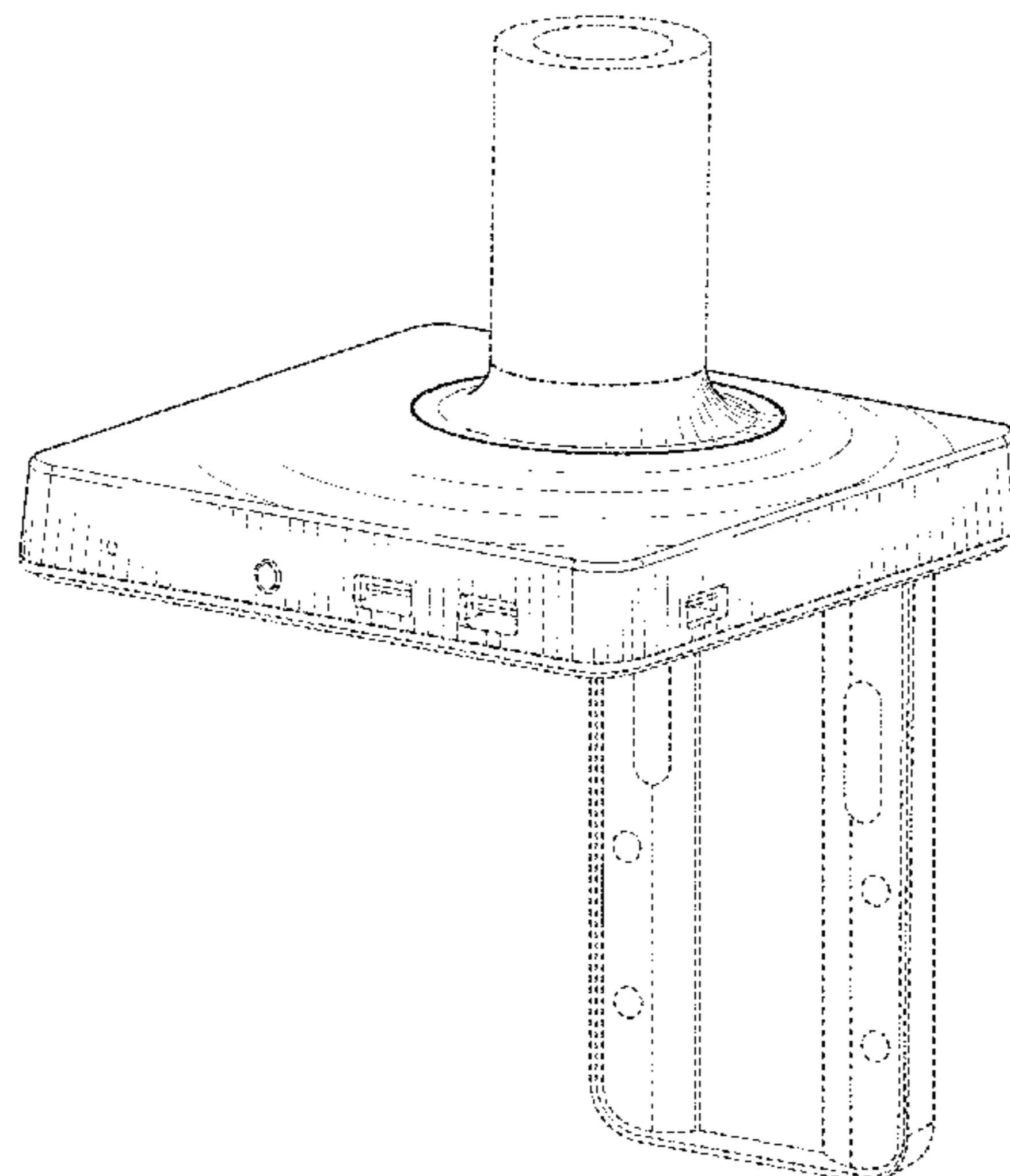
FIG. 1 is a top front right perspective view of my new design;
FIG. 2 is a top view thereof;
FIG. 3 is a front view thereof;
FIG. 4 is a rear view thereof;
FIG. 5 is a left side view thereof;
FIG. 6 is a right side view thereof;
FIG. 7 is a top front left perspective view of my new design in use upon a work surface; and,
FIG. 8 is a top front right perspective view of my new design with environmental elements.
The dash-dot lines represent the boundaries of the claim, which extends to the boundaries but does not include the boundaries, while the remaining dash-dash broken lines in the figures depict portions of the docking station that form no part of the claimed design. The additional broken lines seen in FIGS. 7 and 8 showing a work surface and additional structure represent environmental subject matter only and form no part of the claim. All broken lines form no part of the claim.

1 Claim, 8 Drawing Sheets

(56) **References Cited**

U.S. PATENT DOCUMENTS

- D255,667 S * 7/1980 Perjo D10/108
- D290,612 S * 6/1987 Choate D14/451
- D296,897 S * 7/1988 Landry D14/434
- D323,323 S * 1/1992 Klaebel D14/452
- D331,181 S * 11/1992 Kl bel D14/447
- D360,884 S * 8/1995 Onuma D14/451
- D362,240 S * 9/1995 Heidorn D14/357
- D362,244 S * 9/1995 Takemasa D14/451
- D375,298 S * 11/1996 Calfee D14/451
- D376,787 S * 12/1996 Calfee D14/451
- D446,209 S * 8/2001 Hickford D14/357
- D468,739 S * 1/2003 Hasegawa D14/375



(56)

References Cited

U.S. PATENT DOCUMENTS

D544,489	S	*	6/2007	Oddsens, Jr.	D14/452
D568,304	S	*	5/2008	Park	D14/240
D588,141	S	*	3/2009	Heggland	D14/434
D588,602	S	*	3/2009	Chao	D14/451
D596,188	S	*	7/2009	Lau	D14/452
D598,025	S	*	8/2009	Lau	D14/452
D598,459	S	*	8/2009	Gillespie	D14/451
D627,359	S	*	11/2010	Gillespie	D14/451
D630,223	S	*	1/2011	Shih	D14/451
D638,022	S	*	5/2011	Kasuga	D14/239
D663,307	S	*	7/2012	Sapper	D14/452
D681,647	S	*	5/2013	Choi	D14/451
D686,605	S	*	7/2013	Palmeri	D14/250
D688,672	S	*	8/2013	Seo	D14/451
D702,244	S	*	4/2014	Seo	D14/451
D720,691	S	*	1/2015	Lo	D13/110
D726,188	S	*	4/2015	Lu	D14/434
D733,160	S	*	6/2015	Lee	D14/451
D759,002	S	*	6/2016	Won	D14/239
D762,650	S	*	8/2016	Dang	D14/434
D774,037	S	*	12/2016	Kang	D14/451
D775,627	S	*	1/2017	Yang	D14/217
D787,522	S	*	5/2017	Lee	D14/451
2011/0147546	A1	*	6/2011	Monsalve	F16M 11/041 248/122.1
2017/0060209	A1	*	3/2017	Volek	G06F 1/266

* cited by examiner

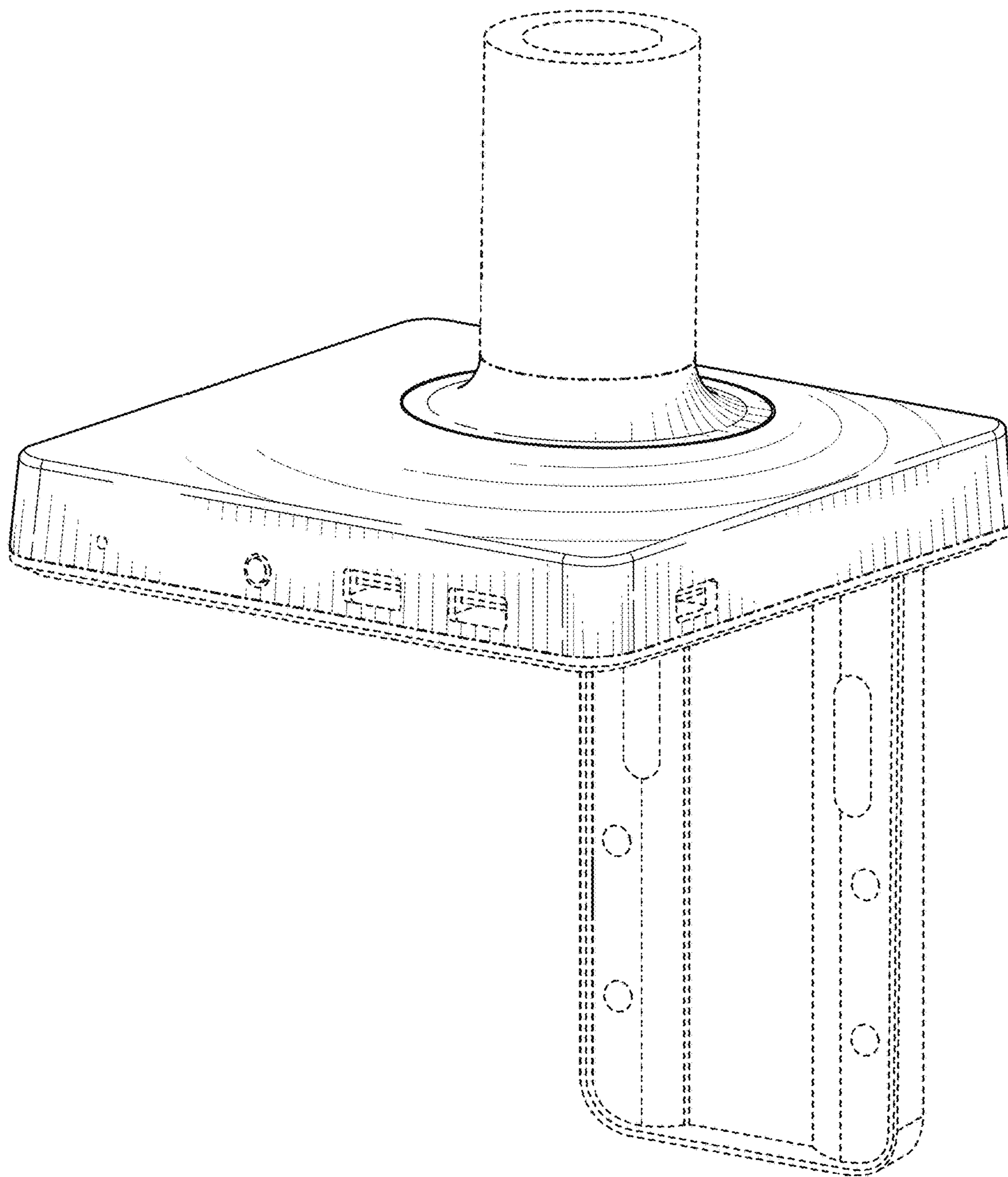


FIG. 1

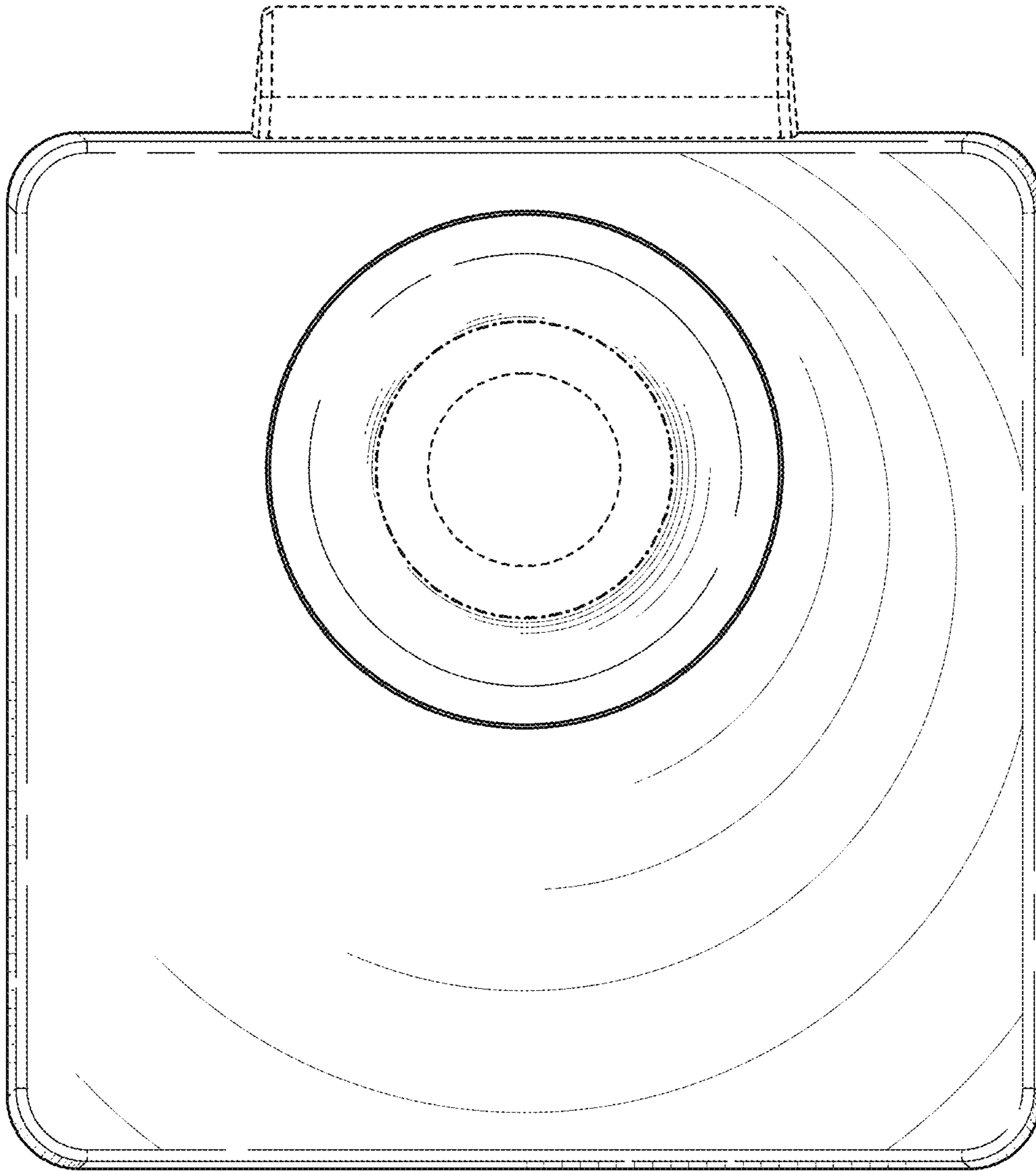


FIG. 2

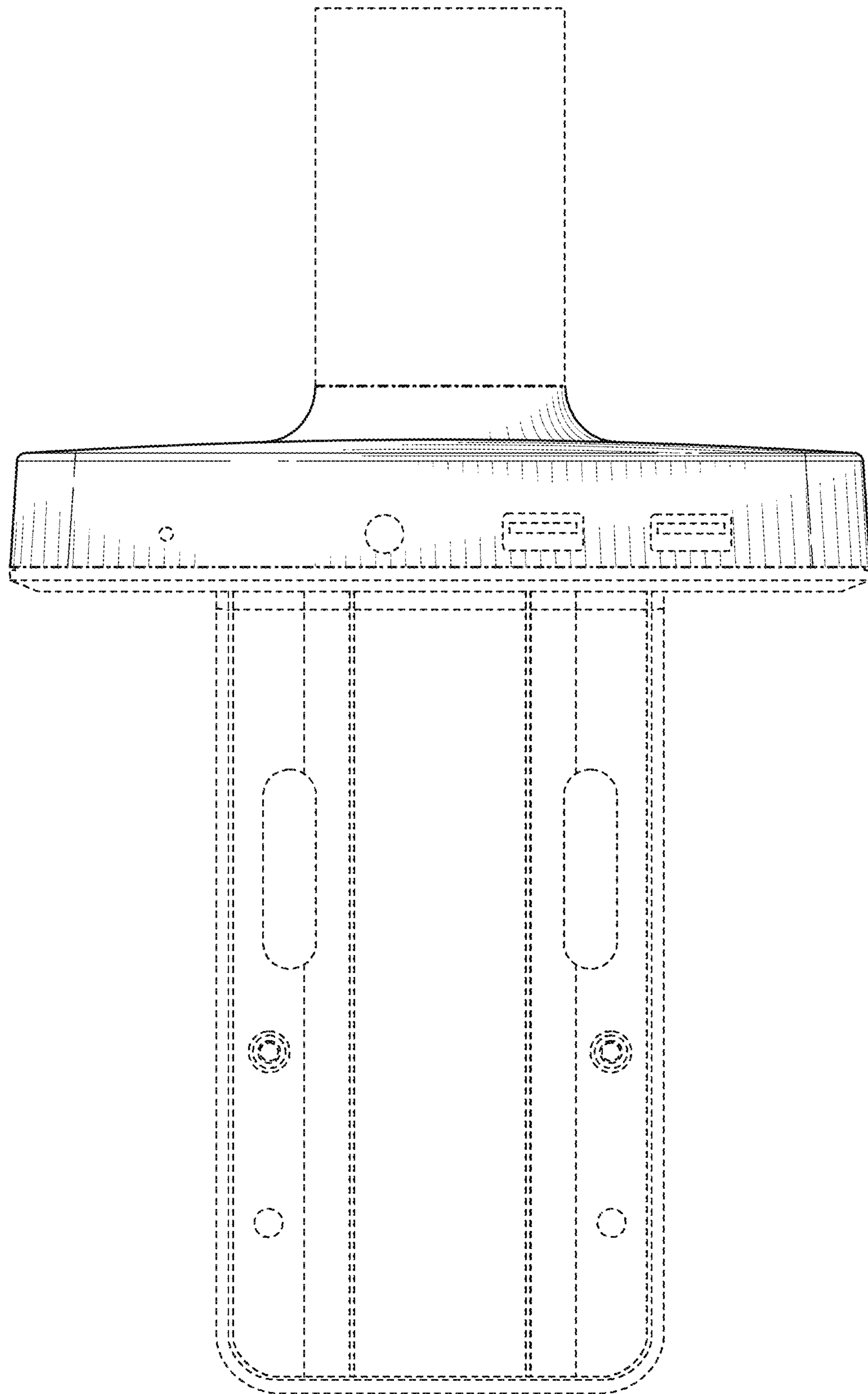


FIG. 3

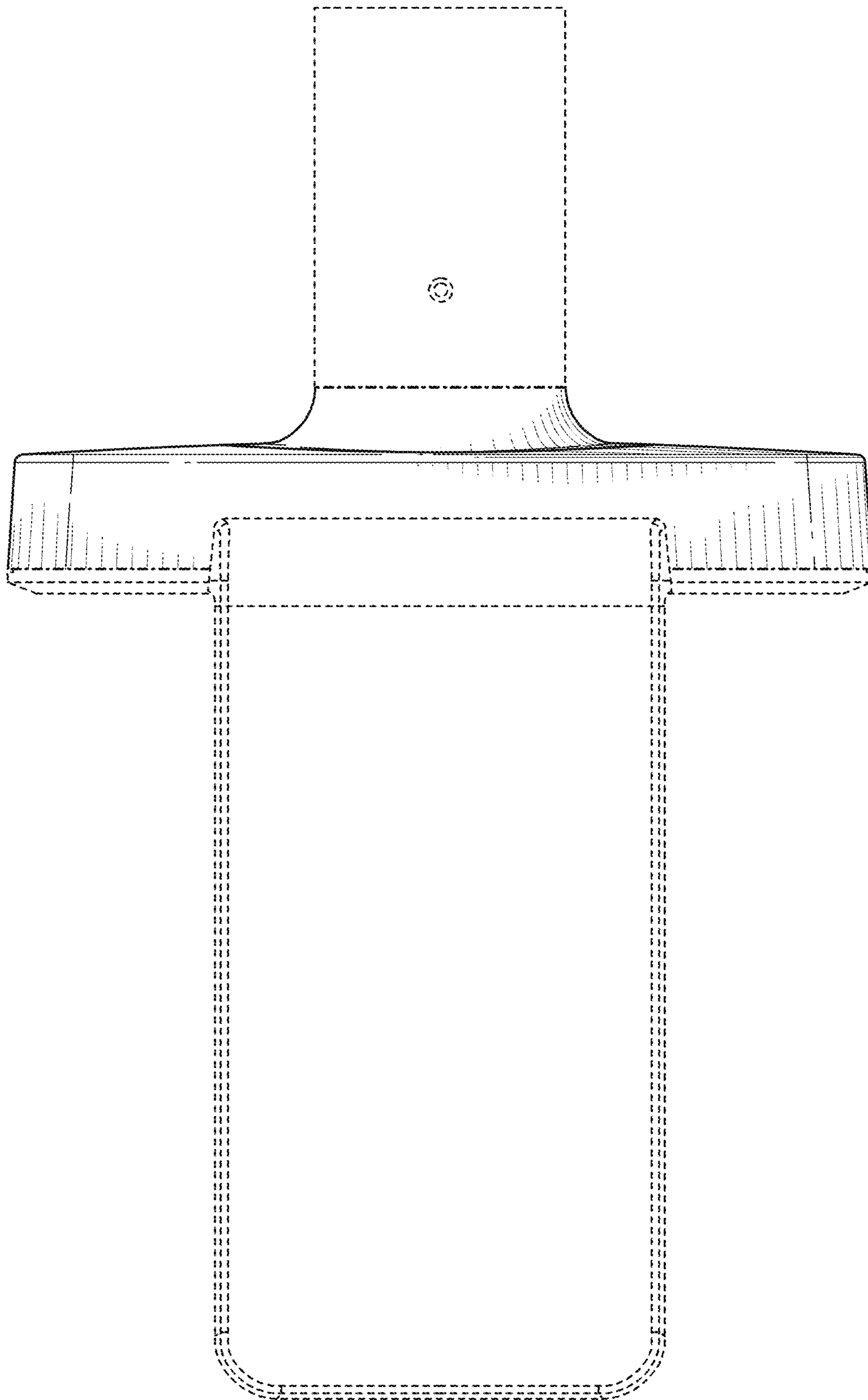


FIG. 4

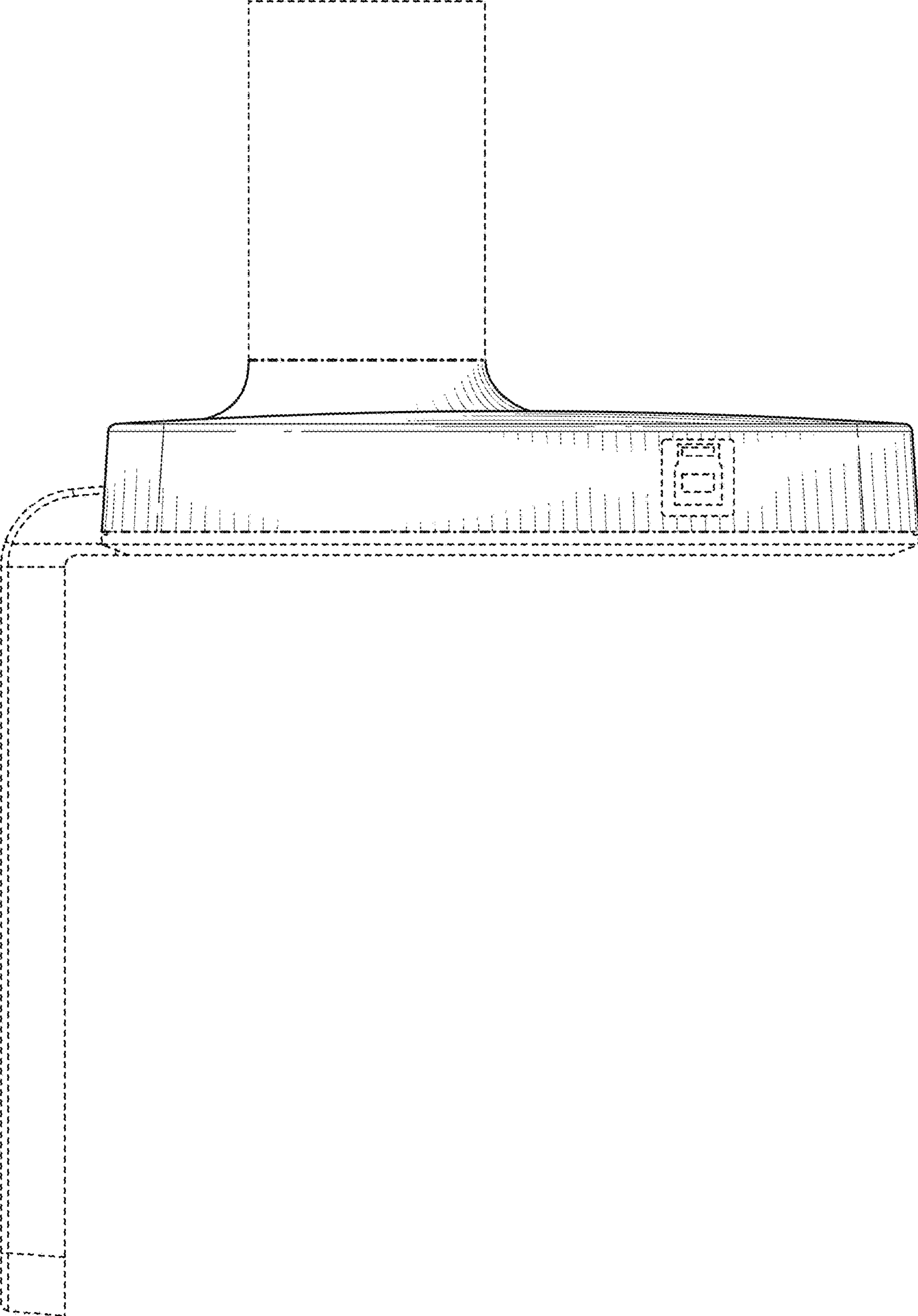


FIG. 5

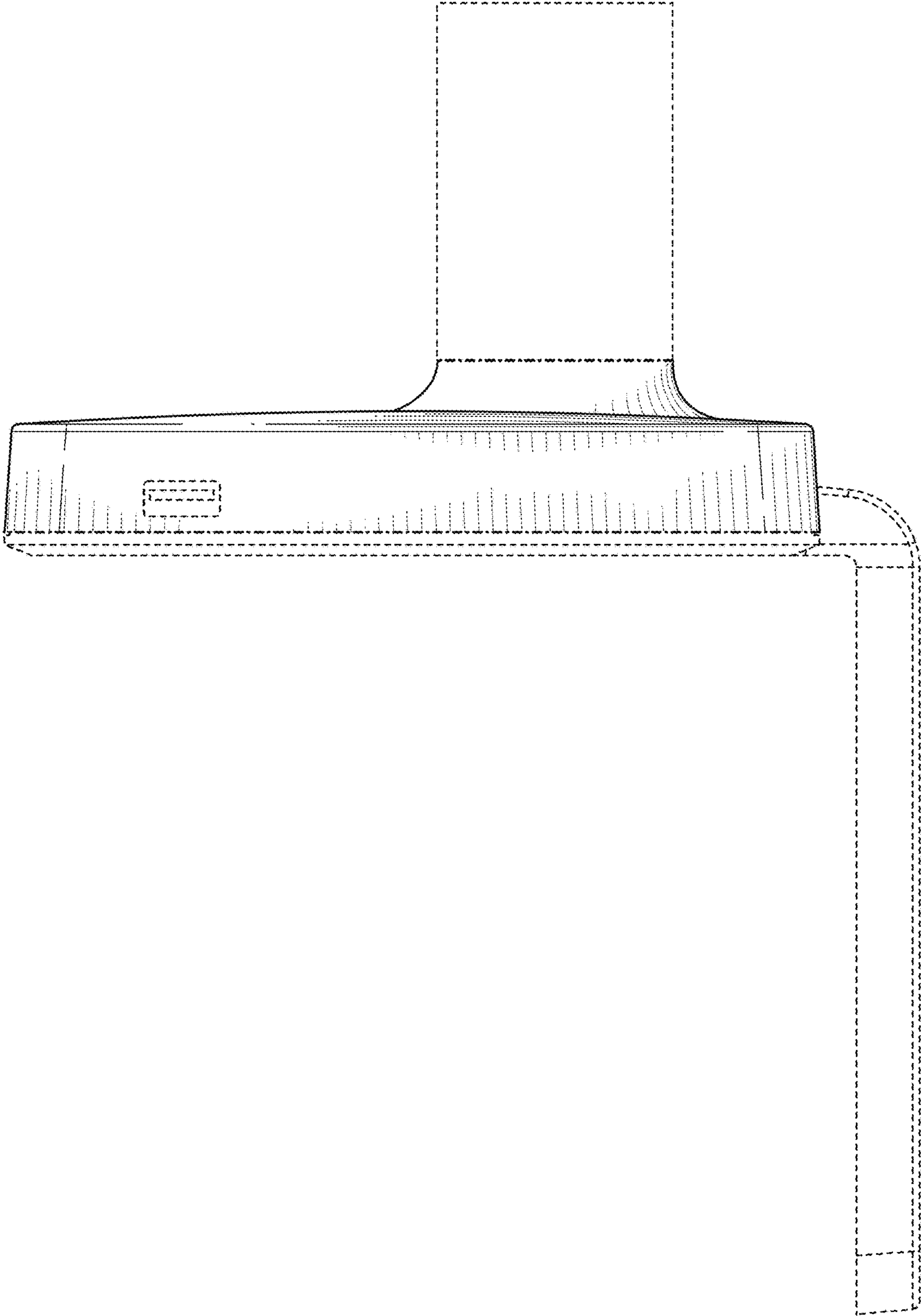


FIG. 6

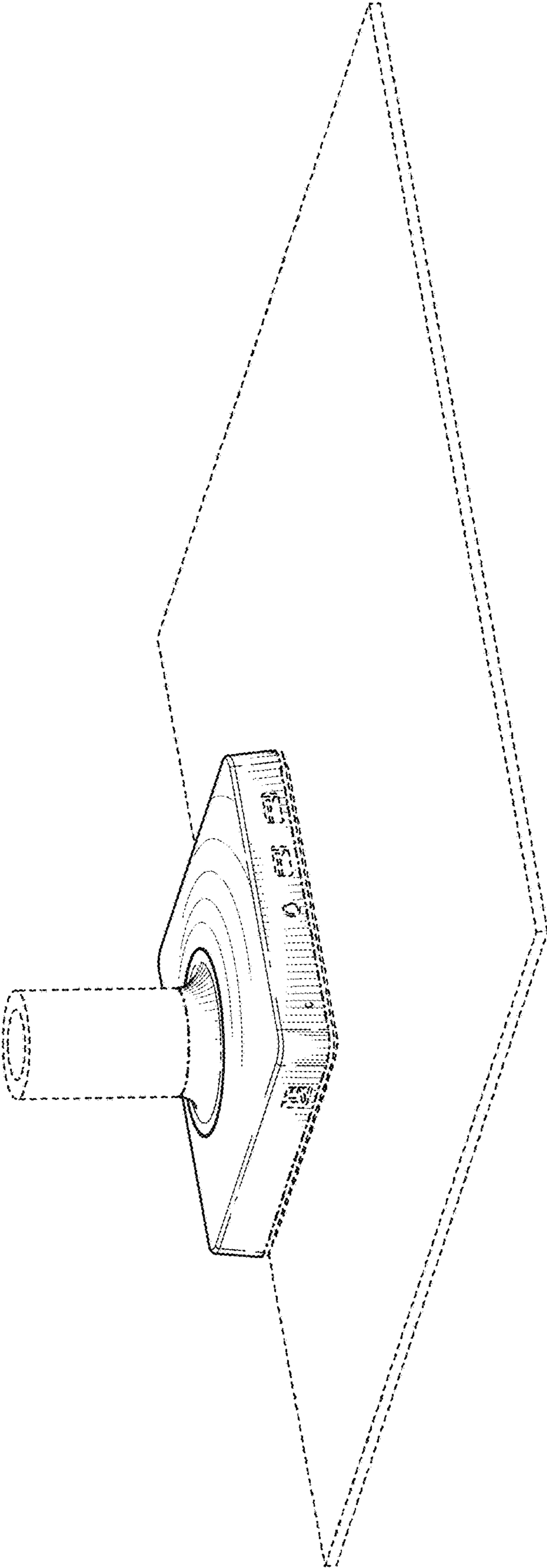


FIG. 7

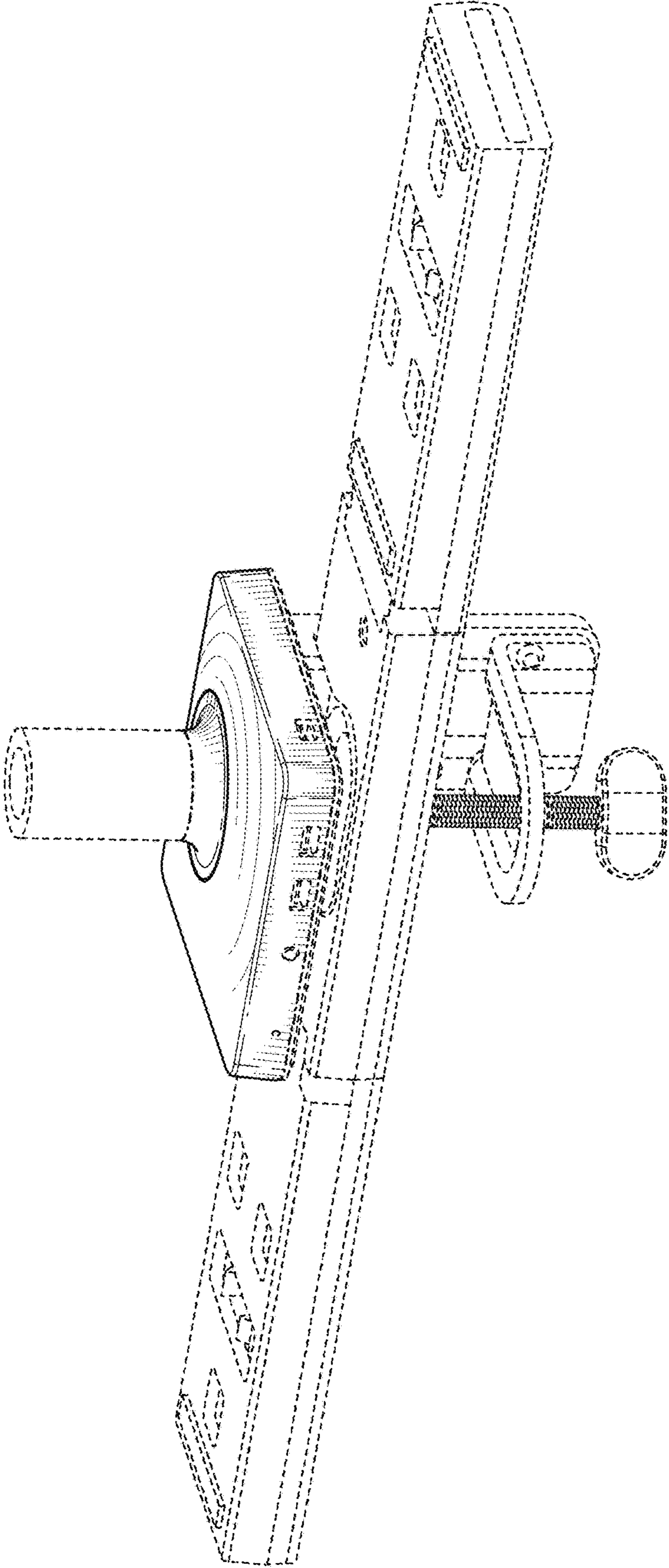


FIG. 8