



US00D803218S

(12) **United States Design Patent** (10) **Patent No.:** **US D803,218 S**
Zhou et al. (45) **Date of Patent:** **** Nov. 21, 2017**

(54) **SCANNER**

235/462.01, 435, 454, 462, 455, 470, 43,
235/482, 483; 340/572.7, 573.3, 572.8,
340/572.1, 572.4, 10.1, 5.86; 455/41.1;
(Continued)

(71) Applicant: **Hand Held Products, Inc.**, Fort Mill,
SC (US)

(72) Inventors: **Peng Zhou**, Suzhou (CN); **Yuefeng Mo**, Suzhou (CN); **Miansong Chen**,
Suzhou (CN)

(56) **References Cited**

U.S. PATENT DOCUMENTS

(73) Assignee: **Hand Held Products, Inc.**, Fort Mill,
SC (US)

D226,248 S 1/1973 Krusche et al.
D229,364 S 11/1973 Juhlin
(Continued)

(**) Term: **15 Years**

OTHER PUBLICATIONS

(21) Appl. No.: **29/598,326**

3D Systems "Sense" handheld 3D scanner, http://www.robotshop.com/en/sense-v2-3d-scanner.html?gclid=CNiult_719ACFVdMDQodBF4GUA, 2016, 1 page.
(Continued)

(22) Filed: **Mar. 24, 2017**

Related U.S. Application Data

(63) Continuation of application No. 29/569,811, filed on
Jun. 30, 2016, now Pat. No. Des. 782,481, which is a
(Continued)

Primary Examiner — Susan Moon Lee

(74) *Attorney, Agent, or Firm* — Additon, Higgins &
Pendleton, P.A.

(30) **Foreign Application Priority Data**

Oct. 20, 2014 (CN) 2014 3 0395775

(51) **LOC (10) Cl.** **14-02**

(52) **U.S. Cl.**
USPC **D14/420**

(58) **Field of Classification Search**

USPC D14/420, 426-428, 447, 453, 385, 363,
D14/358, 240, 356, 362, 365, 370, 383,
D14/388, 432, 433, 435, 439, 442, 443,
D14/242, 214, 211, 349, 351, 352, 308,
D14/204; D18/4.6, 36-56; D13/158,
D13/162, 171, 147, 164; 235/440,
235/462.13, 439, 492, 380, 375, 486, 382,
235/451, 487, 381, 441, 472.01-472.03,
235/462.45, 462.47, 462.43, 385, 462.36,

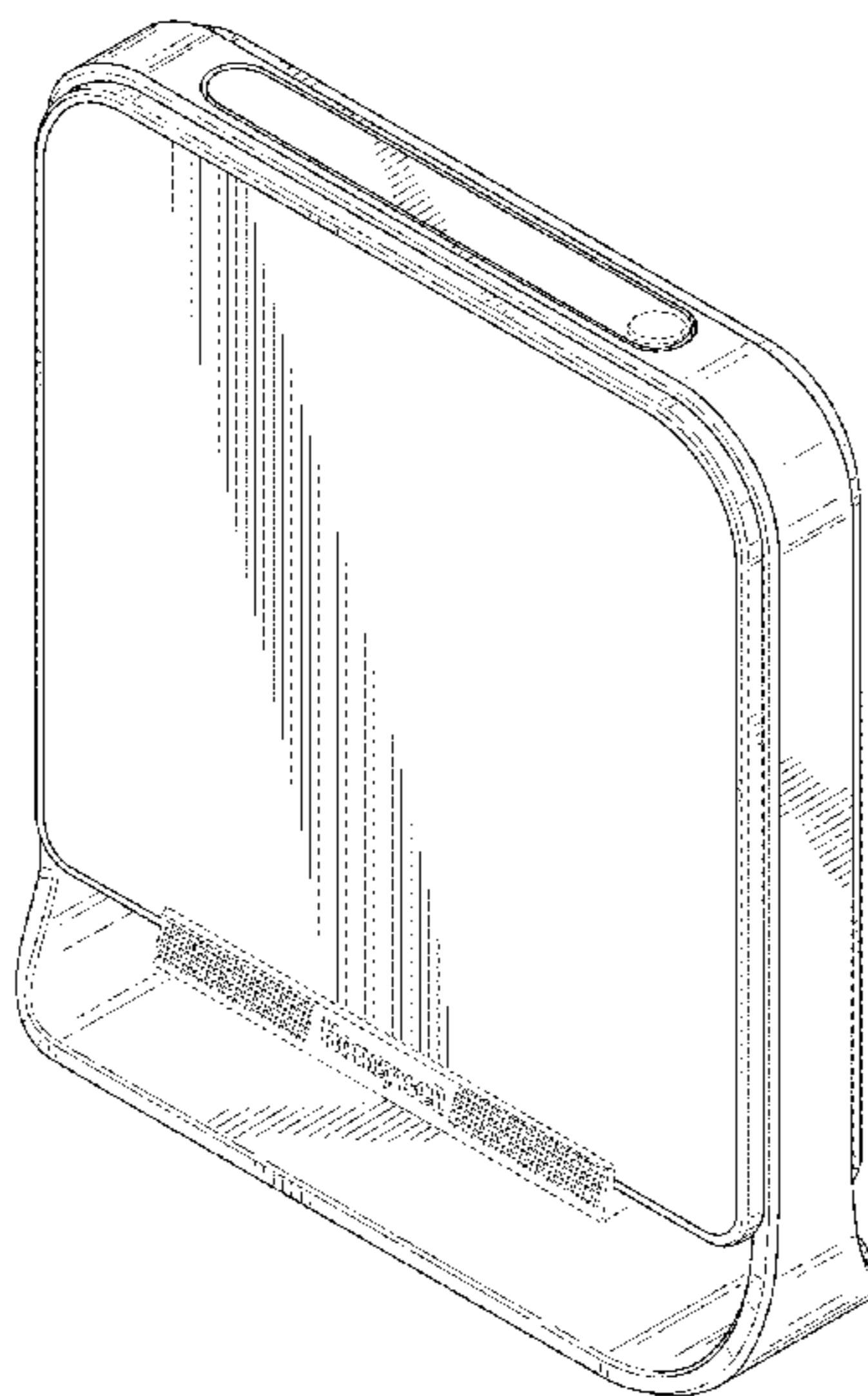
(57) **CLAIM**

The ornamental design for a scanner, as shown and
described.

DESCRIPTION

FIG. 1 is a perspective view of a scanner.
FIG. 2 is another perspective view of the scanner.
FIG. 3 is another perspective view of the scanner.
FIG. 4 is a front elevation view of the scanner.
FIG. 5 is a rear elevation view of the scanner.
FIG. 6 is a left side elevation view of the scanner.
FIG. 7 is a right side elevation view of the scanner.
FIG. 8 is a top plan view of the scanner; and,
FIG. 9 is a bottom view of the scanner.
Broken lines shown in the drawings of the scanner are for
illustrative purposes only and form no part of the claimed
design.

1 Claim, 7 Drawing Sheets



Related U.S. Application Data

continuation of application No. 29/524,186, filed on Apr. 17, 2015, now Pat. No. Des. 760,719.

(58) **Field of Classification Search**

USPC 700/225; 710/2, 301, 64; 336/221, 232; 439/159; 361/752, 679.31, 679.32, 361/679.38, 679.45, 800; 358/473, 483, 358/474, 482; 379/436, 438; 312/223.1; 347/86, 49
 CPC G06K 7/10653; G06K 7/1098; G06K 7/10633; G06K 7/10831; G06K 7/10881; G06K 7/10584; G06K 7/10613; G06K 7/10871; G06K 7/109; G06K 7/10693; G06K 7/1096; G06K 7/10564; G06K 7/10603; G06K 7/10663; G06K 7/10673; G06K 7/10702; G06K 7/10792; G06K 7/10891; G06K 7/14; G06K 7/1443; G06K 7/10801; G06K 7/10851; G06K 7/10861; G06K 2207/1013; G06K 2207/1016; G06K 2207/1011; G06K 2207/1012; G06K 2207/1017; G06K 2207/1018; G06K 2207/10534; G06K 2007/10485; G02B 26/10; G02B 26/105; G02B 26/106; B41J 2/17559; B41J 2/17513; B41J 2/17523; B41J 2/17553; B41J 2/17566; B41J 2/1752; B41J 2/17593; B41J 2/1755; B41F 33/0081; A47F 9/046; A47F 9/047; G07G 1/0045; G04N 5/23238; G04N 5/2252; G04N 5/2251; G03B 17/02; B25H 5/00; B66F 7/28; G07F 11/002; G07F 11/02; G06Q 20/343; G06F 2203/0331

See application file for complete search history.

(56) **References Cited**

U.S. PATENT DOCUMENTS

3,813,004 A * 5/1974 Andreaggi B65D 25/32 220/756
 3,924,775 A * 12/1975 Andreaggi A45F 5/10 16/409
 D241,253 S * 8/1976 Bertagni et al. D14/211
 D241,554 S * 9/1976 Bertagni et al. D14/211
 D242,474 S * 11/1976 Croup D14/211
 4,089,464 A * 5/1978 Teti, Jr. F16M 11/10 16/445
 4,090,632 A * 5/1978 Katzmann H05K 5/0008 174/541
 D248,525 S 7/1978 Eckel et al.
 D251,368 S * 3/1979 Katzmann D10/46
 D251,369 S * 3/1979 Katzmann D10/80
 D251,370 S * 3/1979 Katzmann D10/46
 D254,830 S 4/1980 Wachtel
 4,196,821 A * 4/1980 Teti, Jr. F16M 11/10 16/330
 D254,960 S * 5/1980 Helm D10/75
 D256,914 S * 9/1980 Rams D14/211
 D260,390 S * 8/1981 Bertagni D14/211
 4,322,835 A * 3/1982 Ernst G01D 11/24 206/301
 D276,012 S 10/1984 Westcott et al.
 4,515,419 A * 5/1985 Hampel F16M 11/10 206/45.23
 D280,898 S * 10/1985 Benigni D14/313
 D289,872 S * 5/1987 Nuttall D14/351
 4,666,036 A * 5/1987 Bourbon A45C 11/24 206/425
 D298,625 S * 11/1988 Gore D14/351

4,906,057 A * 3/1990 Davi A45C 5/00 206/425
 D311,730 S 10/1990 Houghton
 D316,849 S * 5/1991 Houghton D14/308
 D322,900 S * 1/1992 Pursley D19/91
 D325,729 S 4/1992 Forsythe et al.
 5,192,857 A 3/1993 Detwiler
 5,216,904 A * 6/1993 Isaki B60K 37/04 16/445
 5,293,300 A * 3/1994 Leung G06F 1/1616 361/679.59
 D351,147 S 10/1994 Hill
 5,351,508 A * 10/1994 Kelley E05B 73/0005 16/445
 D364,605 S * 11/1995 Backs D14/351
 5,469,345 A * 11/1995 Pettersen F21L 4/00 362/188
 D385,787 S 11/1997 Takano et al.
 D389,483 S * 1/1998 Christie D14/214
 5,720,543 A * 2/1998 Sheps F21L 15/02 362/196
 D397,635 S * 9/1998 Chu D10/120
 D402,122 S * 12/1998 Grant D6/301
 6,115,883 A * 9/2000 Um F16M 11/10 16/405
 D432,125 S * 10/2000 Masuda D14/349
 6,163,465 A * 12/2000 Tanner H01R 13/60 206/702
 6,229,507 B1 * 5/2001 Nakamura H05K 5/0017 340/815.45
 D447,479 S 9/2001 Tierney
 D470,127 S * 2/2003 Inoue D14/214
 D477,303 S * 7/2003 Niitsu D14/188
 D480,077 S * 9/2003 Searby D14/308
 D484,129 S 12/2003 Hyogo
 6,665,176 B2 * 12/2003 Amemiya G06F 1/1616 190/115
 D501,476 S * 2/2005 Quijano D14/352
 D510,094 S 9/2005 Bolton et al.
 D513,251 S * 12/2005 Conyers D14/352
 D514,563 S 2/2006 Kuramashi et al.
 D517,547 S * 3/2006 Kubota D14/349
 D525,968 S * 8/2006 Peng D14/300
 D533,148 S * 12/2006 Hong D14/125
 D541,274 S * 4/2007 Wang D14/356
 D545,309 S * 6/2007 Noda D14/349
 D553,915 S * 10/2007 Lerner D7/643
 D566,100 S * 4/2008 Han D14/211
 D573,979 S * 7/2008 Barnett D14/214
 D577,004 S * 9/2008 Lim D14/211
 D580,933 S 11/2008 Ju et al.
 7,450,372 B2 * 11/2008 Lin G06F 1/1626 361/679.55
 D583,814 S 12/2008 Mariers et al.
 D597,542 S * 8/2009 Solomon D14/351
 7,576,981 B2 * 8/2009 Kuo E05B 73/0005 361/679.57
 D603,834 S 11/2009 Lyman et al.
 7,612,998 B2 * 11/2009 Fan G06F 1/1616 361/679.55
 D606,541 S * 12/2009 Solomon D14/349
 D609,701 S * 2/2010 Hou D14/240
 D611,040 S 3/2010 Neu et al.
 D611,454 S * 3/2010 Wang D14/214
 D620,953 S 8/2010 Andre et al.
 D626,100 S 10/2010 Huang
 7,841,575 B1 * 11/2010 Sliger F16M 11/10 248/454
 D640,646 S 6/2011 Wu et al.
 D647,090 S * 10/2011 Chen D14/349
 D649,141 S * 11/2011 Thomas D14/240
 D649,151 S * 11/2011 Ramones D14/358
 D675,173 S 1/2013 Paradise et al.
 D676,444 S * 2/2013 Cloutier D14/349
 D681,634 S 5/2013 Chen et al.
 D681,830 S * 5/2013 Chung D24/186
 D685,346 S * 7/2013 Szymanski D14/214
 D687,433 S * 8/2013 Lin D14/349

(56)

References Cited

U.S. PATENT DOCUMENTS

D689,483 S * 9/2013 Wu D14/240
 D689,857 S * 9/2013 Amit D14/349
 D690,281 S * 9/2013 Carr D14/204
 D699,354 S * 2/2014 Chung D24/158
 D705,201 S * 5/2014 Isaacs D14/240
 D706,239 S * 6/2014 Chen D14/186
 D706,778 S 6/2014 Kawsasaki et al.
 D711,004 S * 8/2014 Chen D24/186
 D714,445 S * 9/2014 Sul D24/158
 D714,446 S * 9/2014 Sul D24/158
 D715,445 S * 10/2014 Zhang D24/160
 D716,296 S 10/2014 Drew
 D720,855 S * 1/2015 Sul D24/158
 D725,784 S * 3/2015 Xia D24/186
 D726,295 S 4/2015 Kim et al.
 D727,505 S * 4/2015 Choudhary D24/158
 D729,216 S * 5/2015 Peng D14/240
 D732,010 S 6/2015 Hsiau
 D734,752 S 7/2015 Chen et al.
 D734,856 S * 7/2015 Weichert D24/186
 D736,193 S * 8/2015 Kwak D14/240
 D740,252 S * 10/2015 Mackiewicz D14/204
 D740,808 S * 10/2015 Kono D14/365
 D743,395 S 11/2015 Chen
 D743,962 S * 11/2015 Ikeda D14/348
 D744,658 S * 12/2015 Hilkey-Boyatt D11/86
 D748,600 S * 2/2016 Deyaf D14/204
 D748,605 S * 2/2016 McManigal D14/214
 D760,719 S 7/2016 Zhou et al.
 D761,261 S 7/2016 Chen

D762,861 S * 8/2016 Chamberlain D24/186
 D763,233 S * 8/2016 Wu D14/211
 D767,567 S * 9/2016 McWilliam D14/358
 D771,017 S * 11/2016 Sasaki D14/214
 D776,819 S * 1/2017 Vybornov D24/160
 D780,731 S * 3/2017 Kim D14/242
 D781,855 S * 3/2017 Sanders D14/352
 D782,481 S 3/2017 Zhou et al.
 D782,486 S * 3/2017 Nalbandian D14/434
 D784,542 S * 4/2017 Zwierstra D24/186
 D786,828 S * 5/2017 Hua D14/204
 2002/0105253 A1 8/2002 Diaz et al.
 2006/0034045 A1* 2/2006 Wang G06F 1/166
 361/679.55
 2007/0257055 A1 11/2007 Scotte et al.
 2009/0088645 A1* 4/2009 Shin A61B 8/4411
 600/459
 2015/0077517 A1 3/2015 Powers et al.

OTHER PUBLICATIONS

3D Systems "Sense" handheld 3D scanner, http://www.robotshop.com/media/files/pdf/sense_2nd_gen_user_guide_win.pdf, 2016, 1 page.
 ITRI 3D Scanner, <https://www.itri.org.tw/eng/DM/PublicationsPeriods/620414544734011541/content/focus1.html>, 2014, 1 page.
 Structure Sensor, http://structure.io/3d_scanning?gclid=COS5xb3-19ACFQdYDQodBGYH6g, 2016, 1 page.
 NextEngine 30 Scanner, <http://www.nextengine.com/products/scanner/features/small>, 2012, 1 page.

* cited by examiner

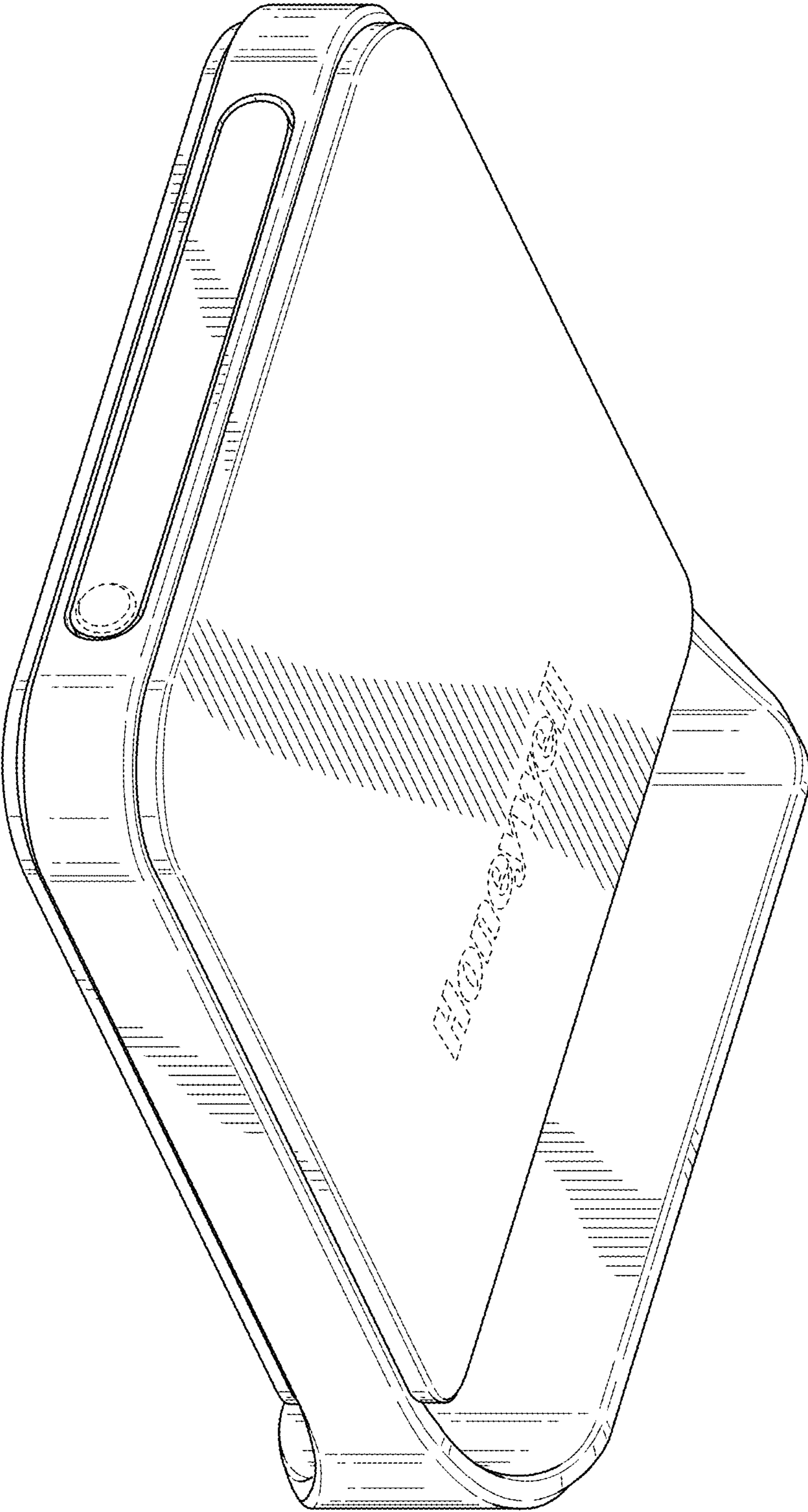


FIG. 1

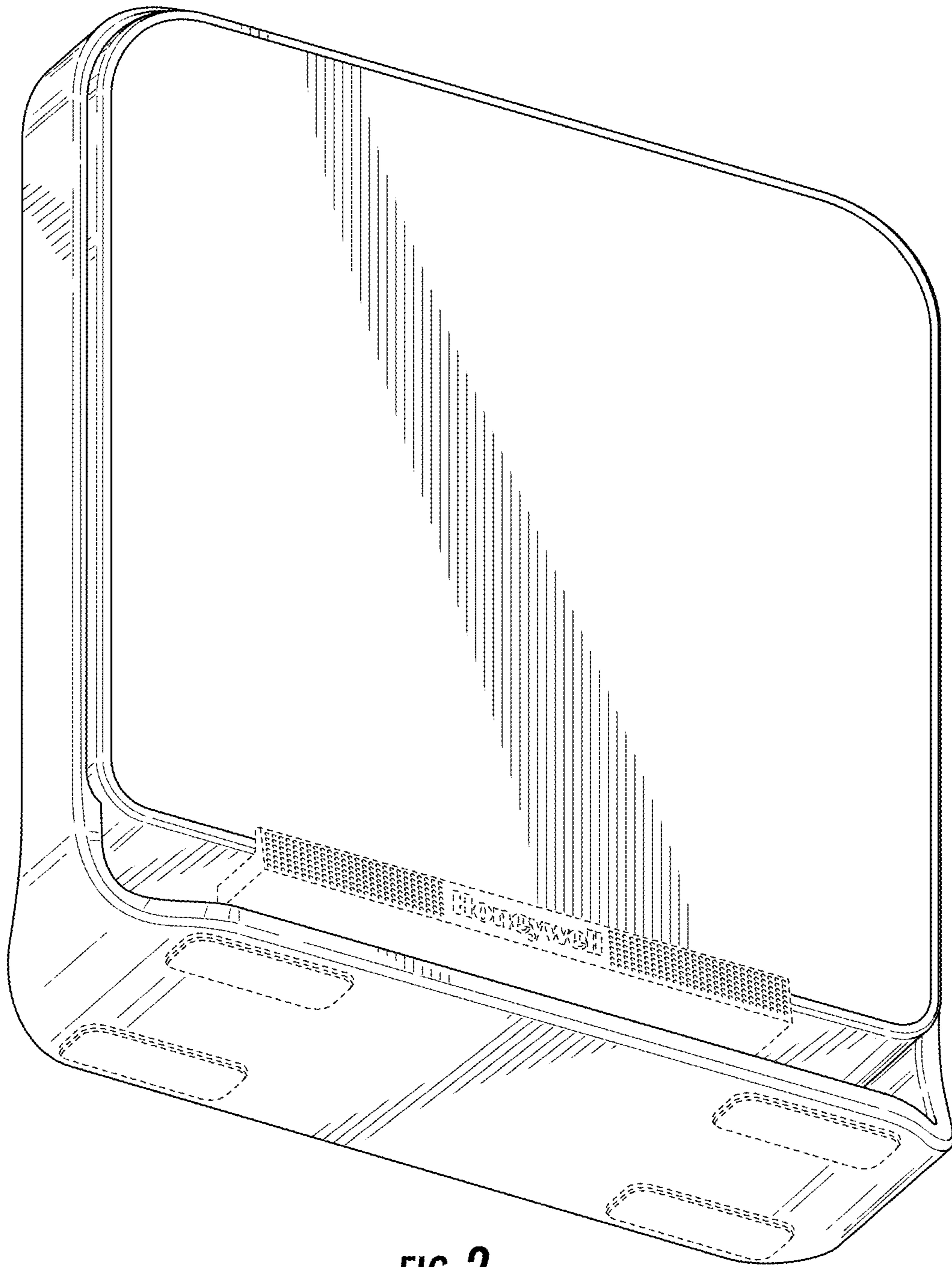


FIG. 2



FIG. 3

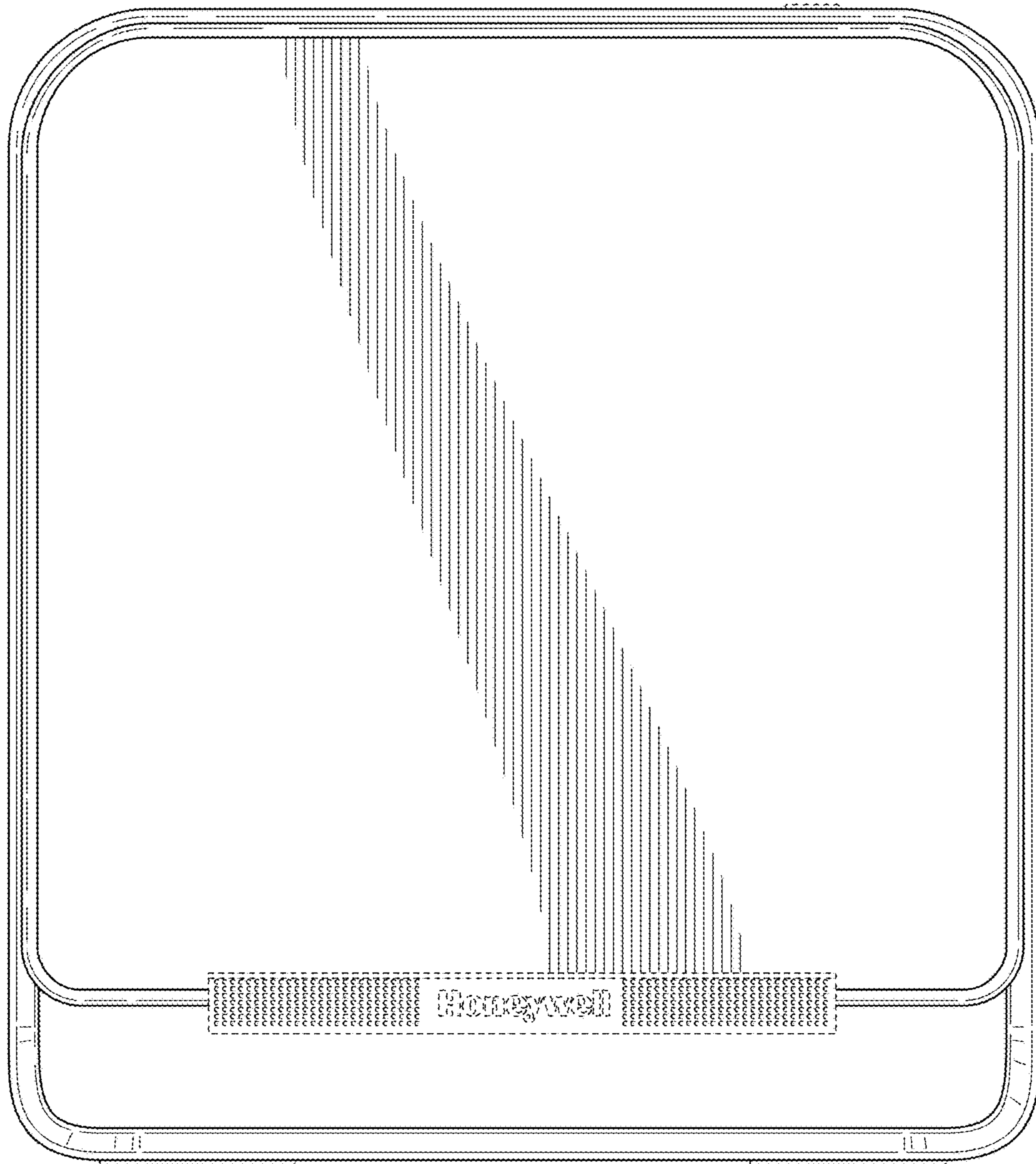


FIG. 4



FIG. 5

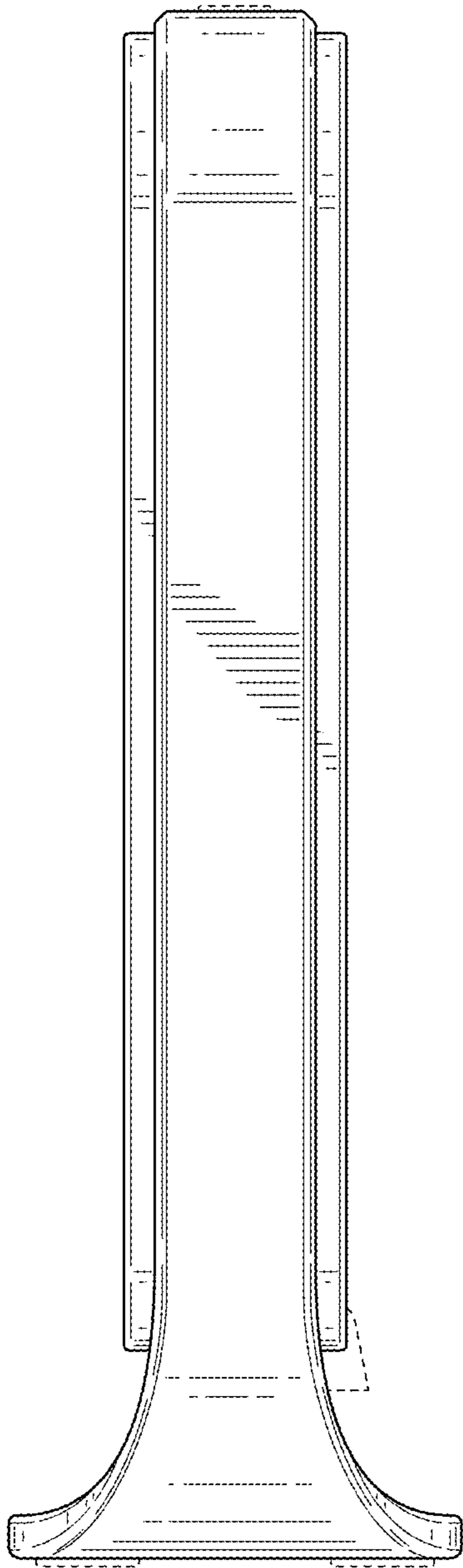


FIG. 6

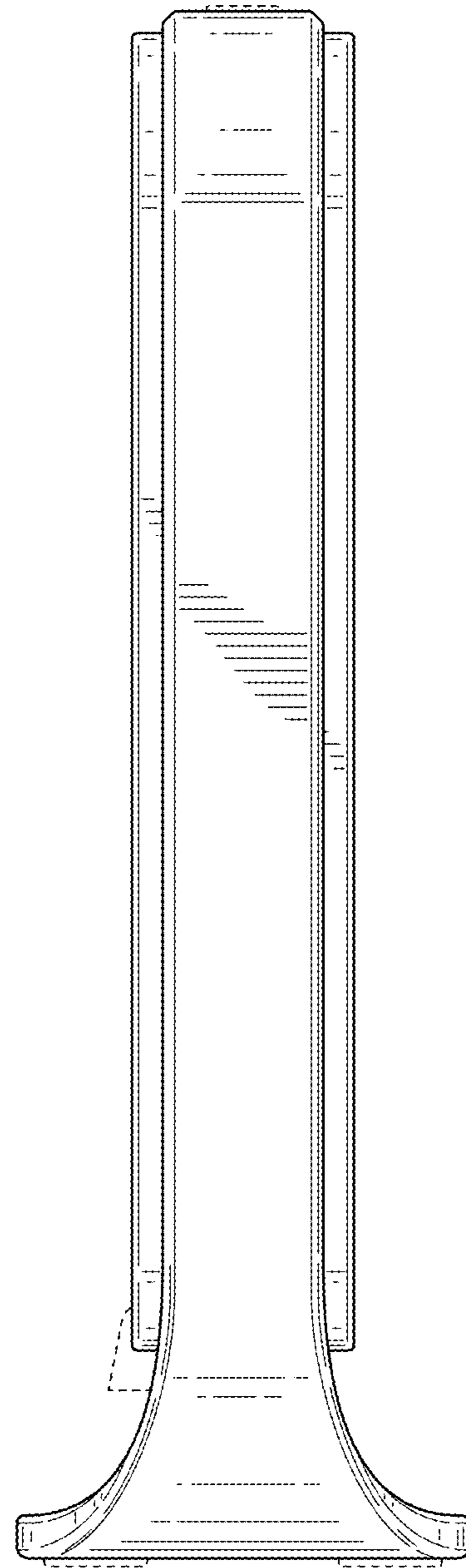


FIG. 7

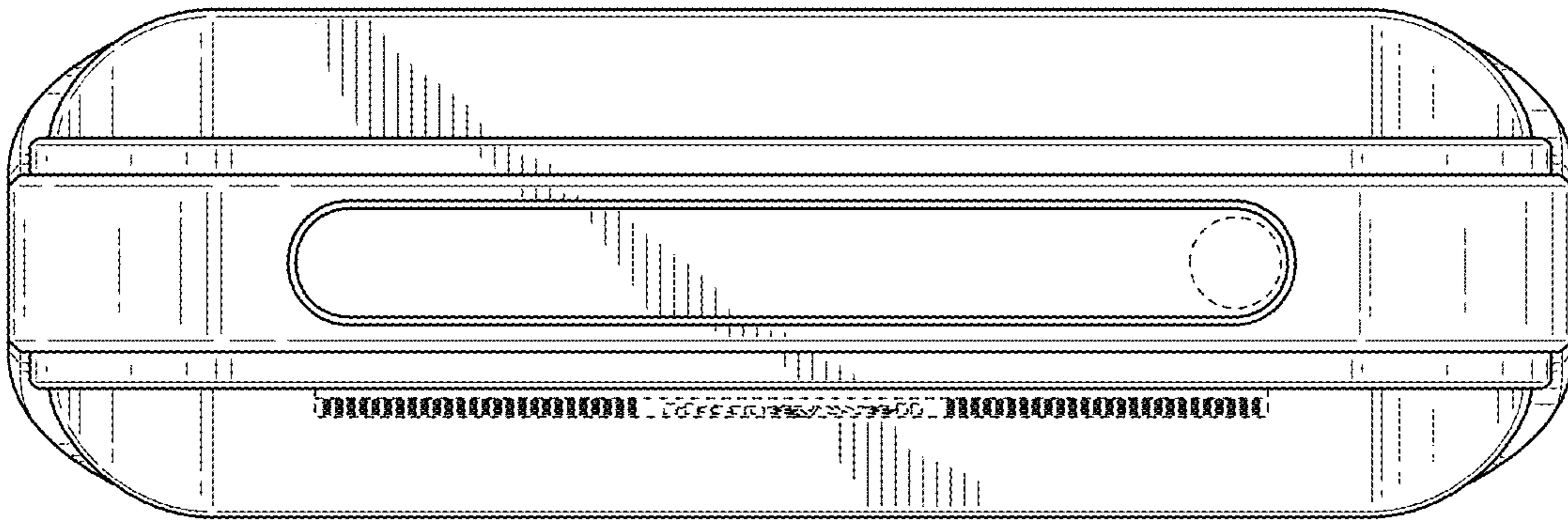


FIG. 8

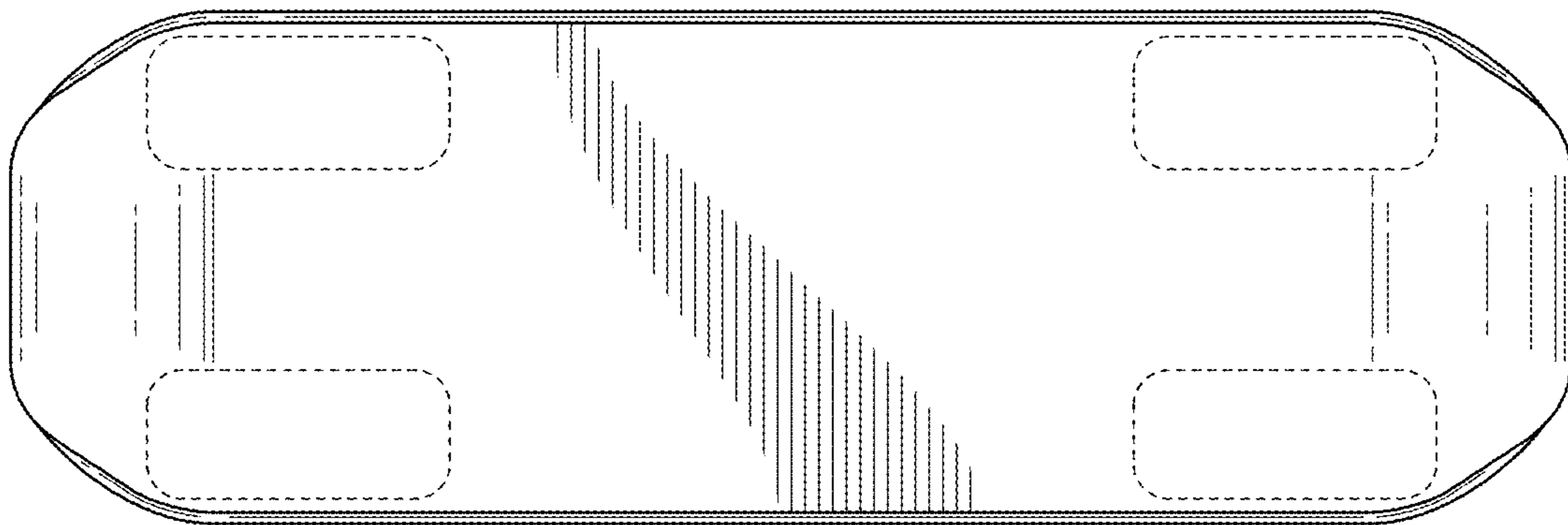


FIG. 9