



US00D803216S

(12) **United States Design Patent** (10) **Patent No.:** **US D803,216 S**  
**Wu** (45) **Date of Patent:** **\*\* Nov. 21, 2017**

(54) **MINI KEYBOARD**

(71) Applicant: **Shenzhen Haojiehua Technology Co., Ltd.**, Shenzhen, Guangdong Province (CN)

(72) Inventor: **Xiaohua Wu**, Shenzhen (CN)

(\*\*) Term: **15 Years**

(21) Appl. No.: **29/581,825**

(22) Filed: **Oct. 21, 2016**

(51) **LOC (10) Cl.** ..... **14-02**

(52) **U.S. Cl.**  
USPC ..... **D14/398**

(58) **Field of Classification Search**  
USPC ..... D14/315-327, 391-399, 455, 456;  
D18/1, 2, 7, 11; 235/145 A, 145 R;  
341/22, 23; 345/104, 156, 168, 169, 173;  
361/679.08, 679.09, 679.11, 679.26,  
361/679.27  
CPC ..... G06F 1/16; G06F 1/1616; G06F 1/1626;  
G06F 1/1632; G06F 1/1613; G06F  
1/1601; G06F 1/1618; G06F 1/162; G06F  
3/0221; G06F 3/0216; H01R 35/02;  
H03M 11/00; G09B 13/04; H03K 17/94;  
G09G 5/00; F16M 11/10; H05K 5/00;  
H04M 1/0237; H01H 13/14; H01H 13/84;  
B41J 5/00; B41J 5/12; B41J 5/10

See application file for complete search history.

(56) **References Cited**

U.S. PATENT DOCUMENTS

D383,741 S *	9/1997	Terng .....	D14/392
D400,197 S *	10/1998	Aubuchon .....	D14/392
5,825,612 A *	10/1998	Aubuchon .....	G06F 3/0202 345/168
D452,280 S *	12/2001	Ota .....	D21/329
D518,054 S *	3/2006	Schraudolph .....	D14/398
D646,726 S *	10/2011	Avery .....	D21/324
D656,554 S *	3/2012	Mar .....	D21/324

\* cited by examiner

*Primary Examiner* — Freda S Nunn

(74) *Attorney, Agent, or Firm* — Novoclaims Patent Services LLC; Mei Lin Wong

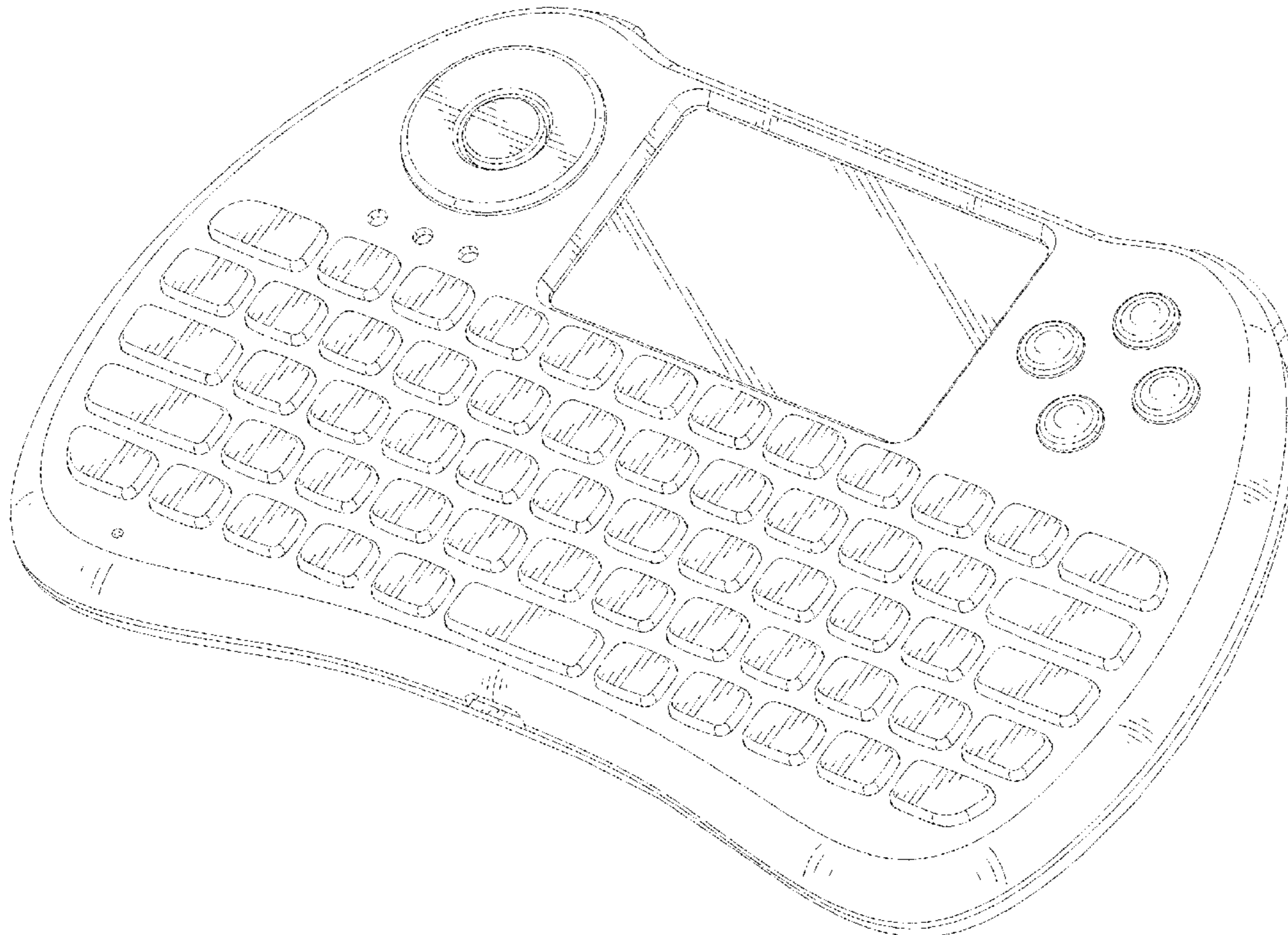
(57) **CLAIM**

The ornamental design for a mini keyboard, as shown and described.

**DESCRIPTION**

FIG. 1 is a perspective view of a mini keyboard showing my new design.  
FIG. 2 is another perspective view thereof, shown from a different angle.  
FIG. 3 is a front elevational view thereof.  
FIG. 4 is a rear elevational view thereof.  
FIG. 5 is a left side elevational view thereof.  
FIG. 6 is a right side elevational view thereof.  
FIG. 7 is a top plan view thereof; and,  
FIG. 8 is a bottom plan view thereof.

**1 Claim, 8 Drawing Sheets**



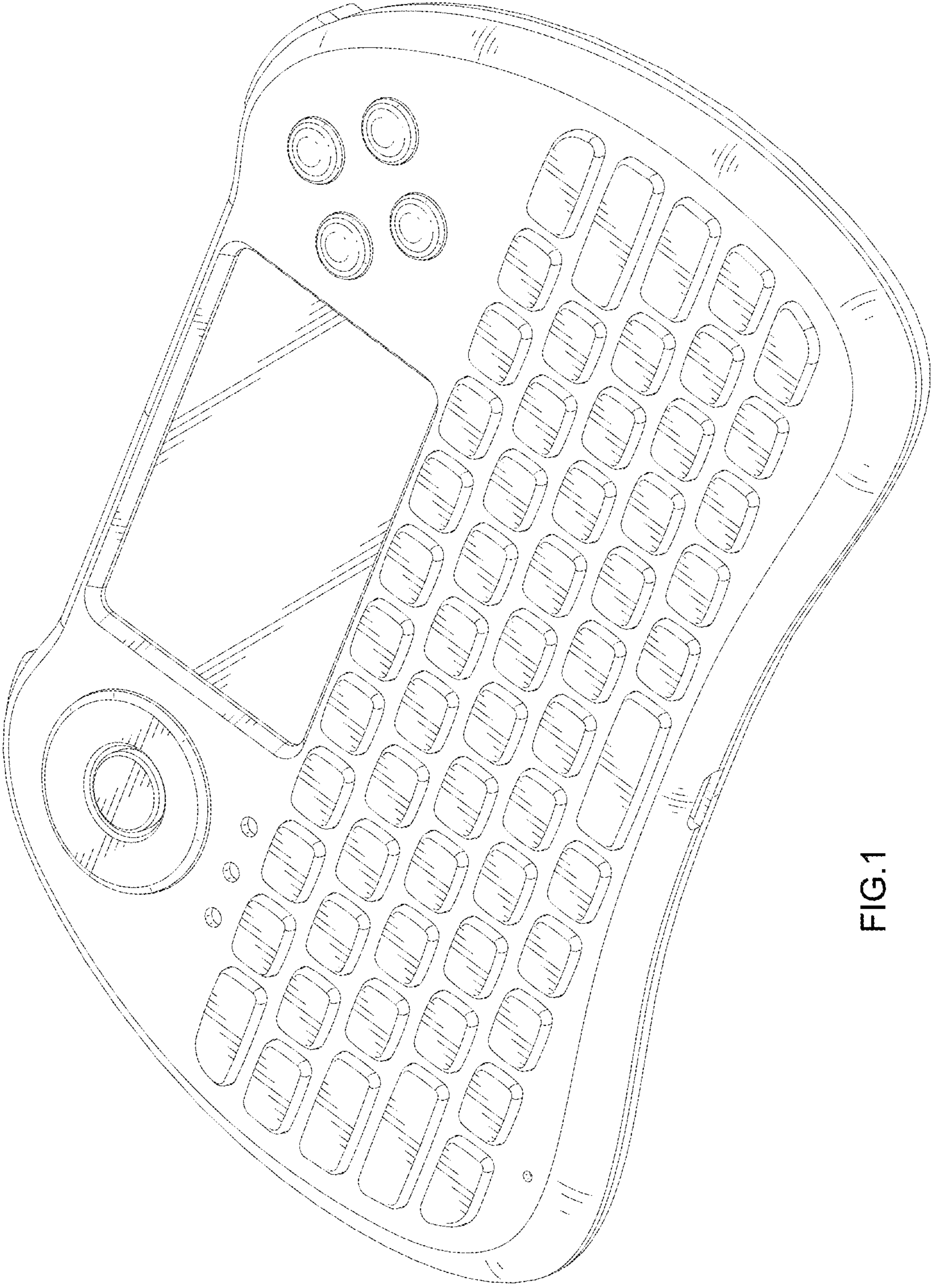


FIG.1



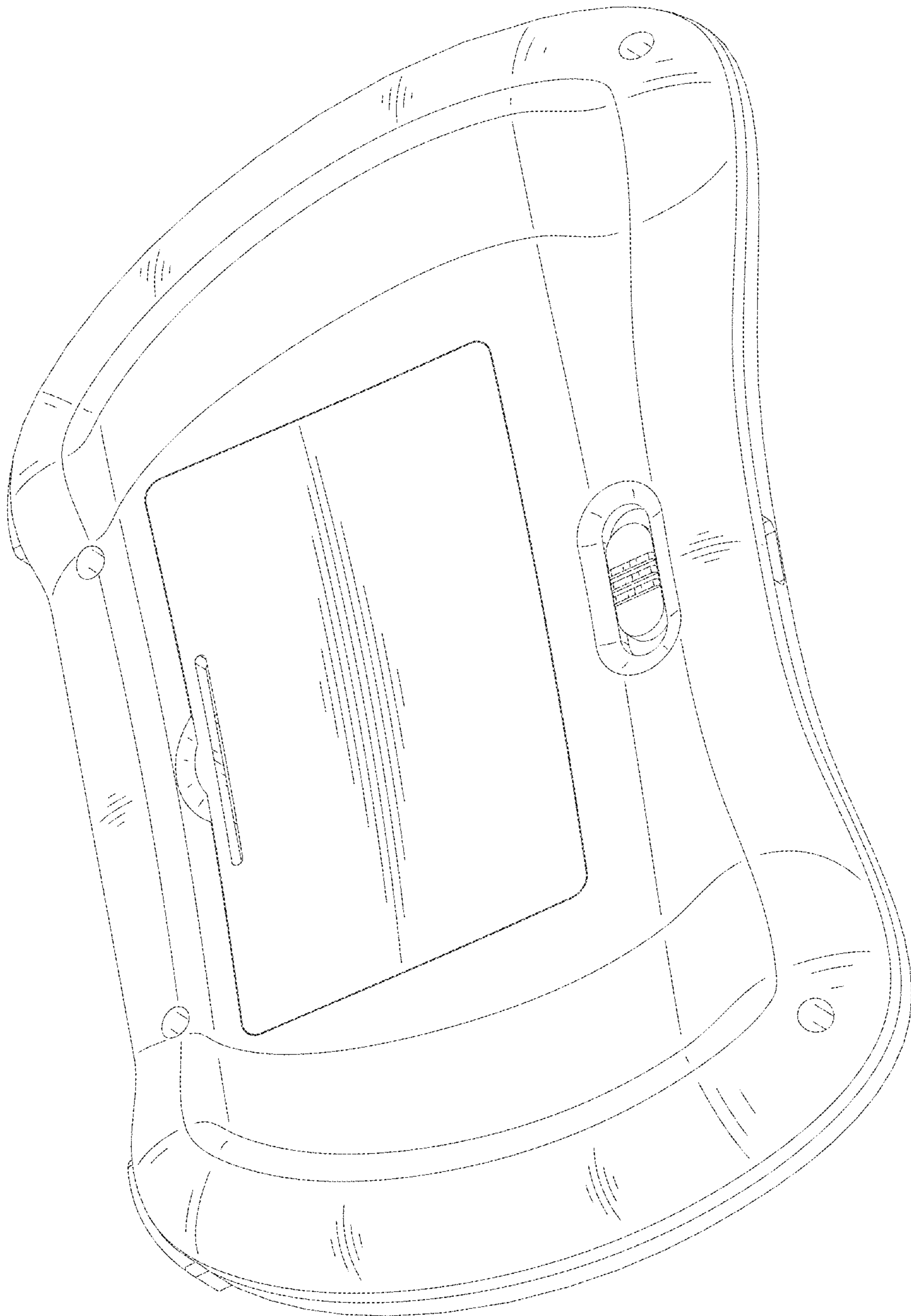


FIG.2

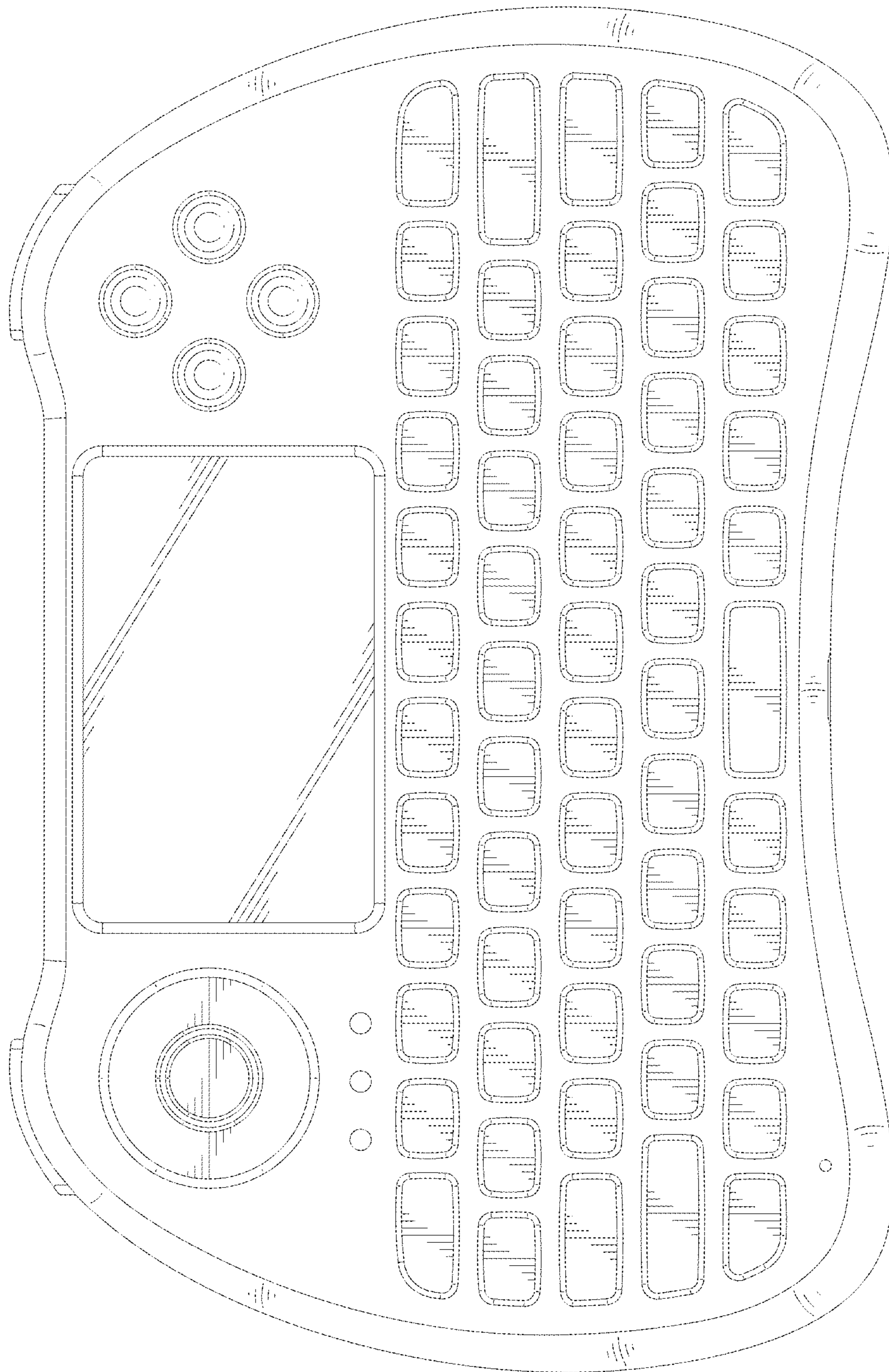


FIG.3

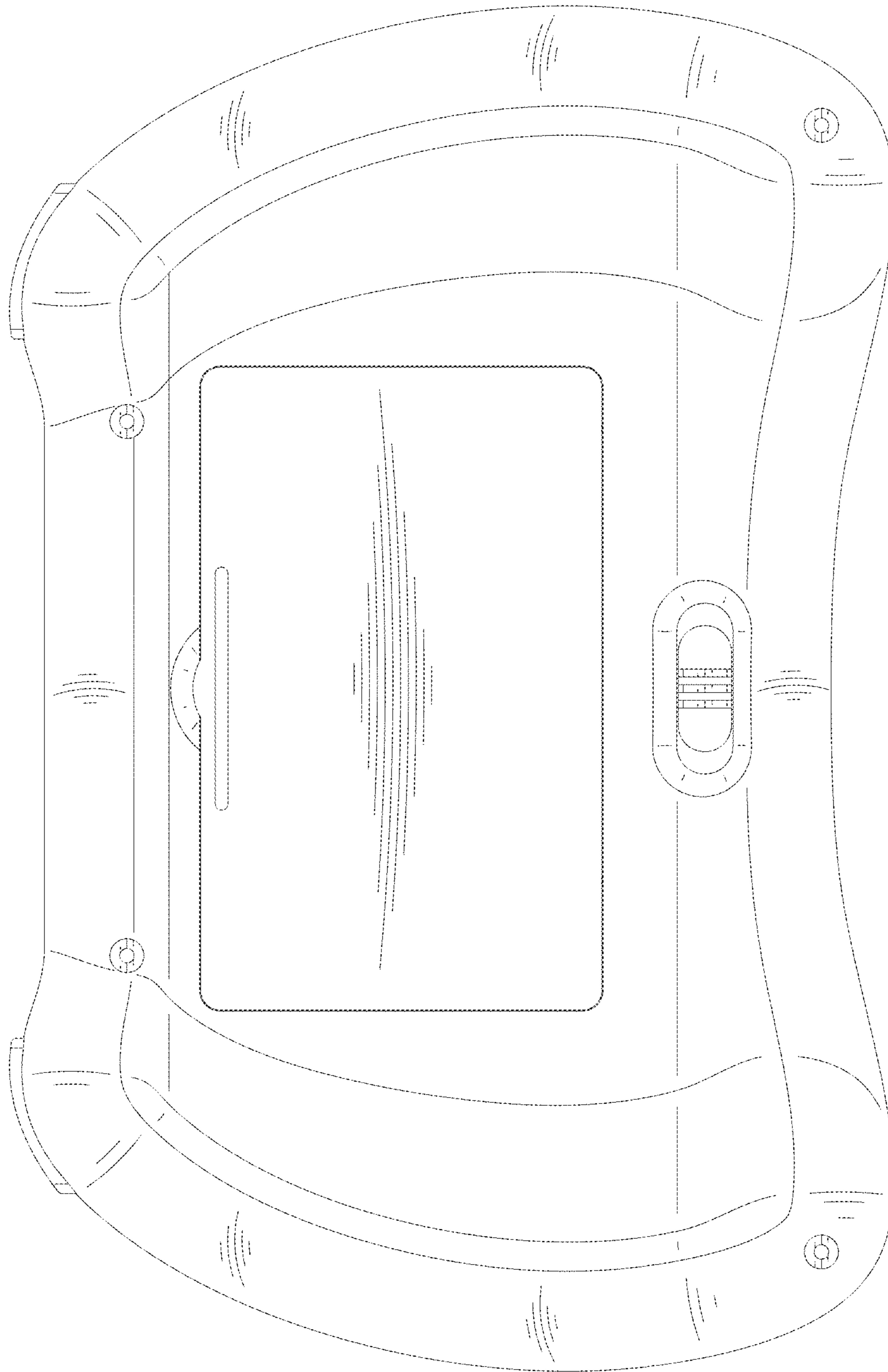


FIG.4

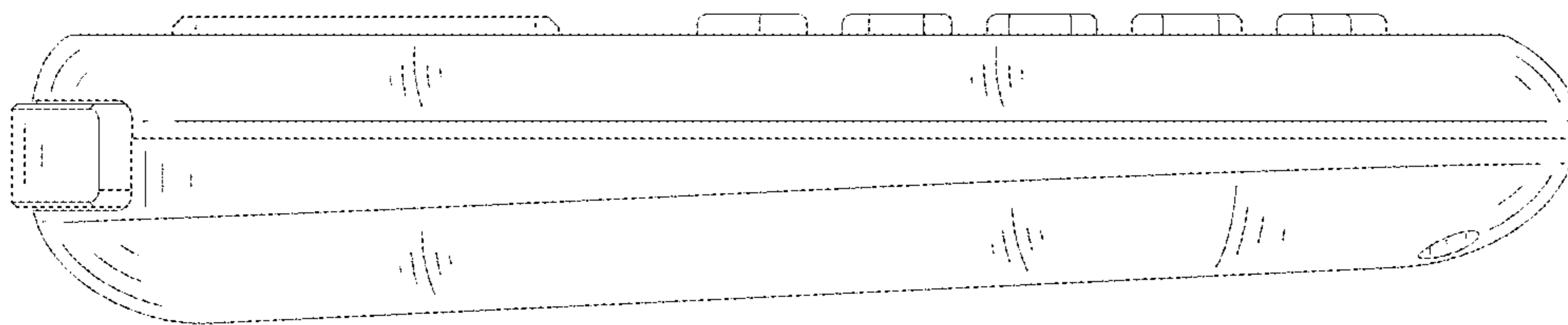


FIG.5

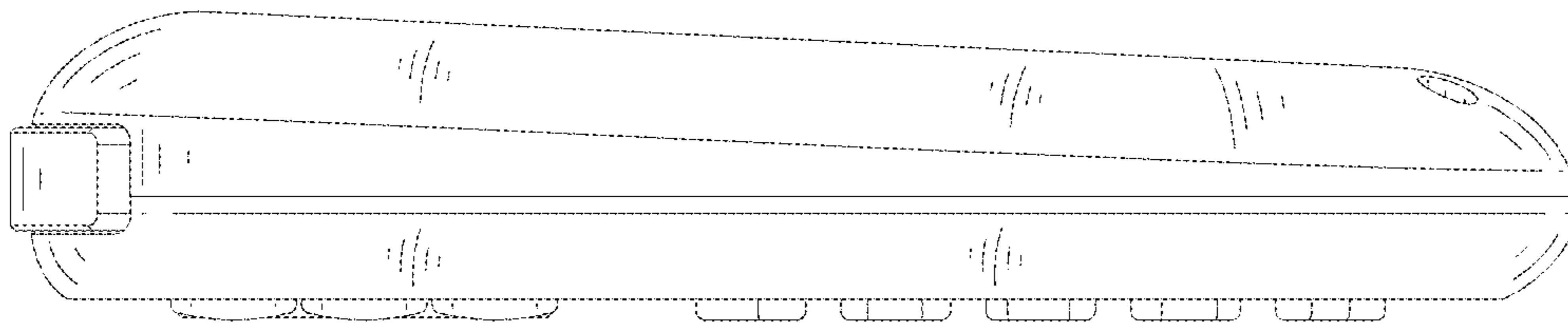


FIG.6

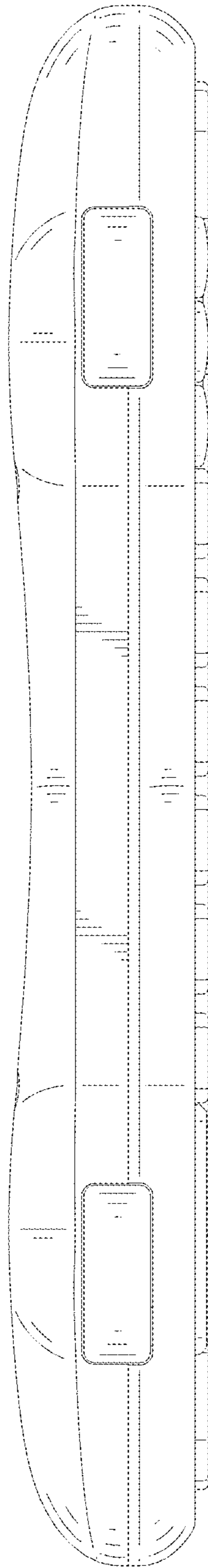


FIG.7



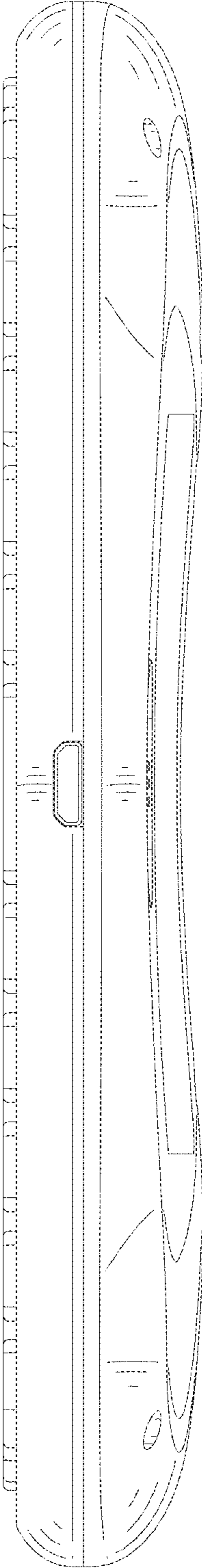


FIG.8