



US00D803211S

(12) **United States Design Patent** (10) **Patent No.:** **US D803,211 S**
Wismans et al. (45) **Date of Patent:** **** Nov. 21, 2017**

(54) **WEARABLE COMPUTING DEVICE**

(71) Applicant: **KONINKLIJKE PHILIPS N.V.**,
Eindhoven (NL)
(72) Inventors: **Antonius Johannes Joseph Wismans**,
Sevenum (NL); **Michel Jacobi**, Hasselt
(BE); **Cristian Nicolae Presura**,
Veldhoven (NL)
(73) Assignee: **KONINKLIJKE PHILIPS N.V.**,
Eindhoven (NL)

(**) Term: **15 Years**

(21) Appl. No.: **35/500,686**

(22) Filed: **Sep. 7, 2015**

(80) **Hague Agreement Data**

Int. Filing Date: **Sep. 7, 2015**
Int. Reg. No.: **DM/088395**
Int. Reg. Date: **Sep. 7, 2015**
Int. Reg. Pub. Date: **Mar. 11, 2016**

(30) **Foreign Application Priority Data**

Mar. 18, 2015 (EM) 002658294

(51) **LOC (10) Cl.** **14-02**

(52) **U.S. Cl.**
USPC **D14/344**

(58) **Field of Classification Search**
USPC D14/344, 341; D10/30, 38, 103;
600/485, 301
CPC A61B 5/02233; A61B 5/02427
See application file for complete search history.

(56) **References Cited**

U.S. PATENT DOCUMENTS

5,687,732 A * 11/1997 Inagaki A61B 5/02233
600/485
D440,966 S * 4/2001 Ronzani D14/344

D736,768 S * 8/2015 Kuwabara D14/344
D746,702 S * 1/2016 Galli D10/30
D749,570 S * 2/2016 Lee D14/344
D750,070 S * 2/2016 Magi D14/344
D751,068 S * 3/2016 Erbeus D10/38
D752,044 S * 3/2016 Akana D14/344
D752,581 S * 3/2016 Jung D14/344
D752,996 S * 4/2016 Ebersold D10/30
D755,786 S * 5/2016 Lapetina D14/344
D758,363 S * 6/2016 Akana D10/30
D759,623 S * 6/2016 Dahlberg D10/30
D763,107 S * 8/2016 Nielsen D10/30
D766,115 S * 9/2016 Ma D10/38
D772,226 S * 11/2016 Zenoff D14/344
D772,863 S * 11/2016 Amit D14/341
D773,050 S * 11/2016 Wimmer, IV D10/103
D775,126 S * 12/2016 Montero Odasso D10/38
2015/0282712 A1 * 10/2015 Presura A61B 5/02427
600/301

* cited by examiner

Primary Examiner — Rhea Shields

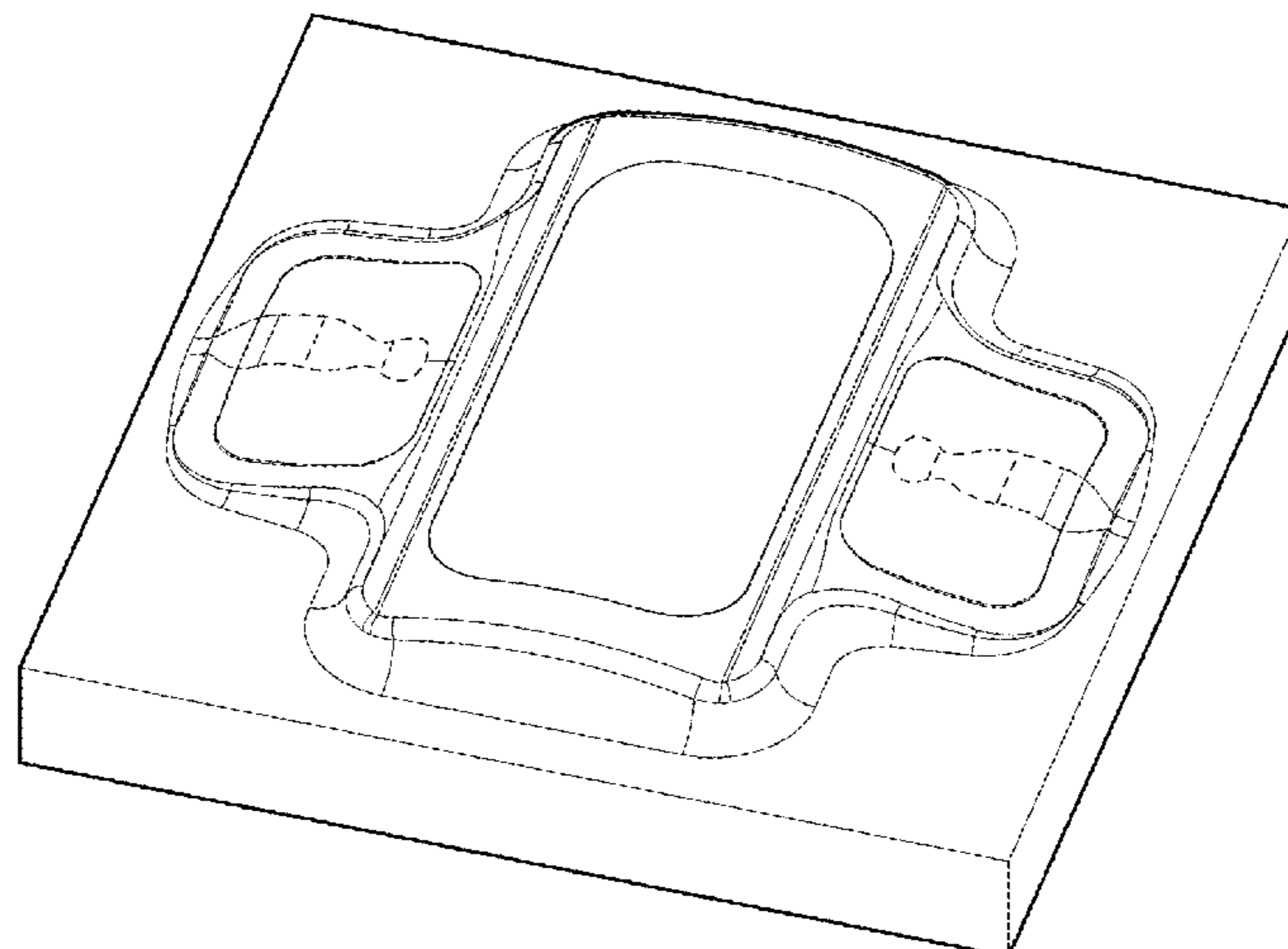
(57) **CLAIM**

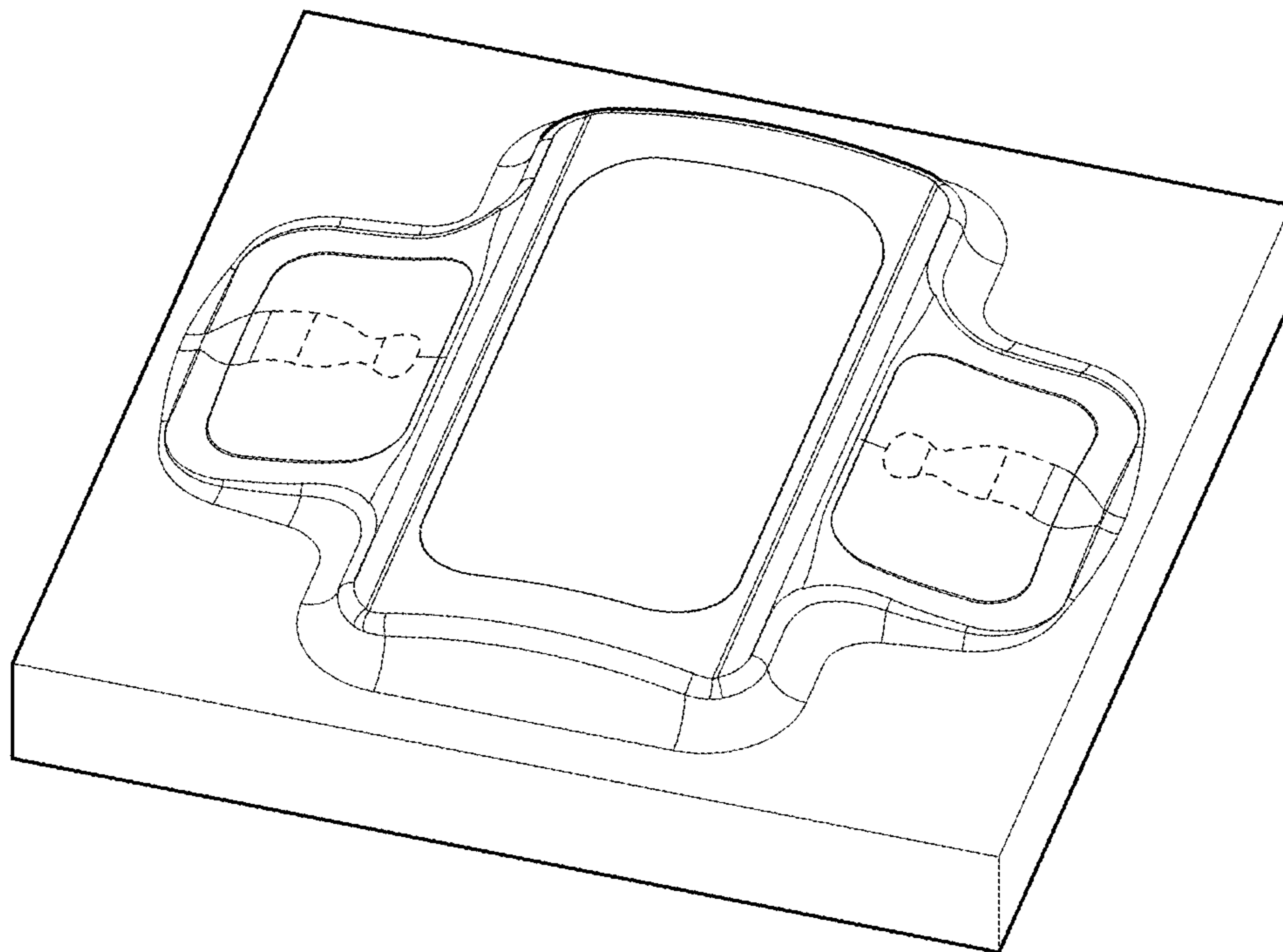
The ornamental design for a wearable computing device, as shown and described.

DESCRIPTION

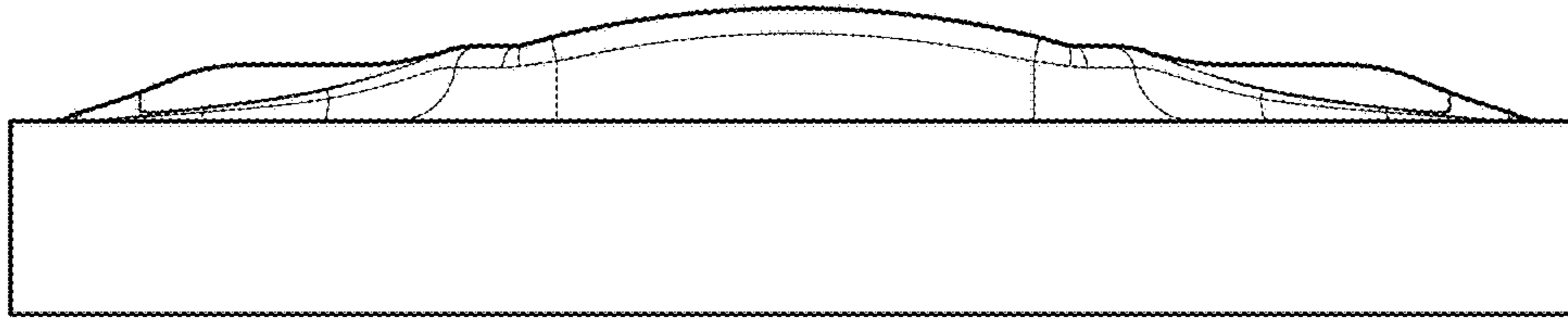
1. Wearable computing device of which the following is a specification, reference being had to the accompanying reproductions forming a part thereof, in which:
Fig. 1.1 is a perspective view showing the wearable computing device of our design;
Fig. 1.2 is a front elevational view thereof;
Fig. 1.3 is a rear elevational view thereof;
Fig. 1.4 is a right side elevational view thereof;
Fig. 1.5 is a left side elevational view thereof;
Fig. 1.6 is a top plan view thereof; and
Fig. 1.7 is a bottom plan view thereof.
The broken lines shown are included for the purpose of illustrating the unclaimed portions of the wearable computing device and form no part of the claimed design.

1 Claim, 4 Drawing Sheets





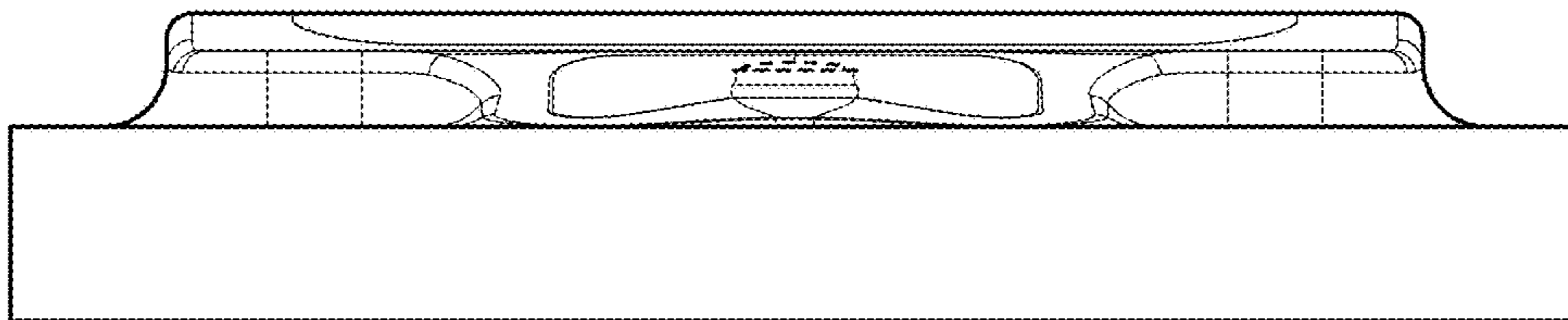
1.1



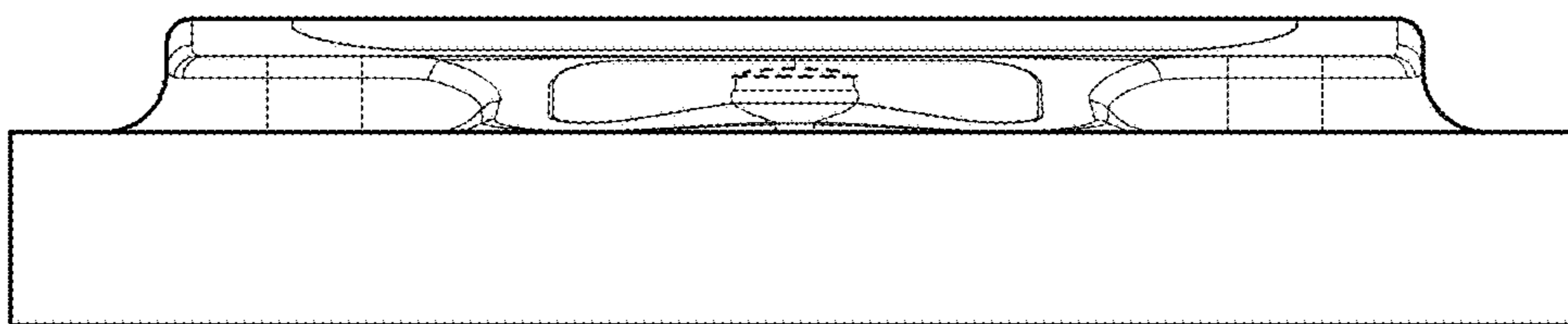
1.2



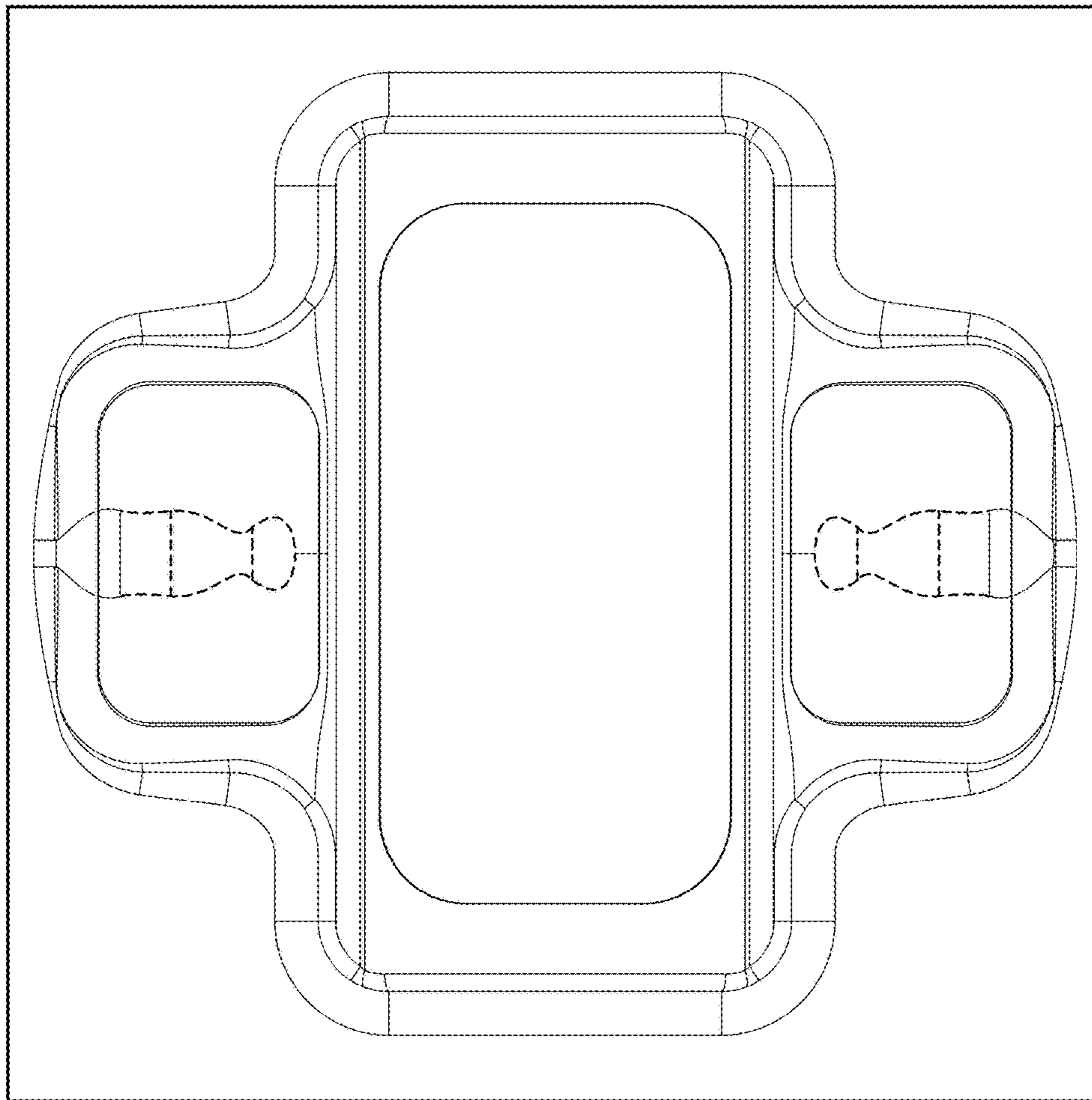
1.3



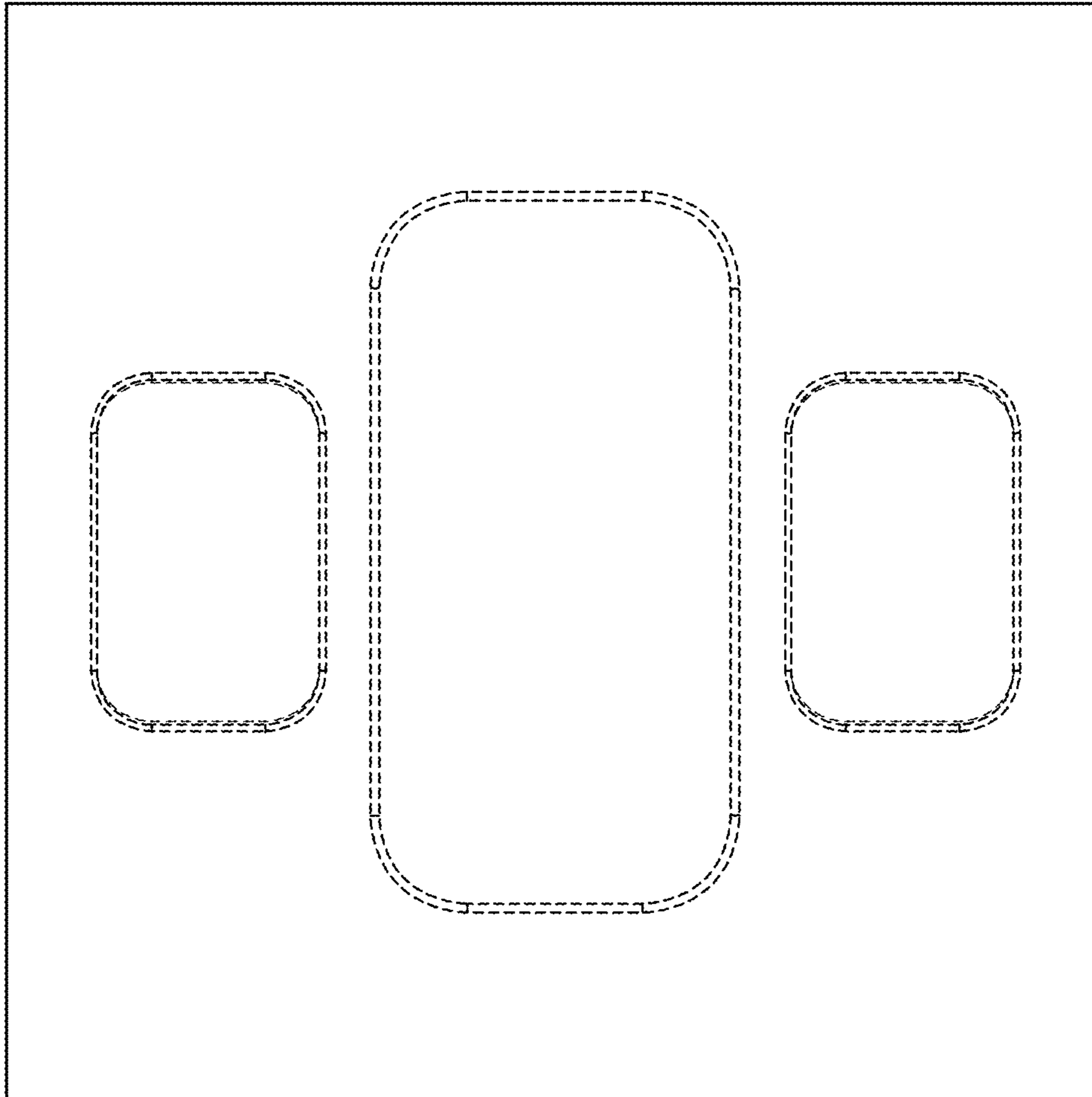
1.4



1.5



1.6



1.7